



US00D905451S

(12) **United States Design Patent**
Dezelon et al.

(10) **Patent No.:** **US D905,451 S**

(45) **Date of Patent:** **** Dec. 22, 2020**

- (54) **GARMENT HANGER**
- (71) Applicant: **Sourcing Solutions International Limited**, Kowloon (HK)
- (72) Inventors: **Michael W. Dezelon**, Paradise Valley, AZ (US); **Kevin R. Sullivan**, Atlanta, GA (US)
- (73) Assignee: **Sourcing Solutions International Limited**, Kowloon (HK)
- (**) Term: **15 Years**
- (21) Appl. No.: **29/719,414**
- (22) Filed: **Jan. 3, 2020**
- (51) **LOC (12) Cl.** **06-08**
- (52) **U.S. Cl.**
USPC **D6/315**
- (58) **Field of Classification Search**
USPC D6/315-328
CPC A47G 25/28; A47G 25/743; A47G 25/16;
A47G 25/20; A47G 25/36; A47G 25/14
See application file for complete search history.

- 2,514,820 A * 7/1950 Wing A47G 25/487
223/91
- 2,596,745 A * 5/1952 Waldman A47G 25/28
223/88
- 2,615,602 A * 10/1952 Thompson A47G 25/20
223/87
- D284,141 S * 6/1986 Jeffrey D6/316
- 4,989,624 A * 2/1991 Darling A47G 25/14
134/100.1
- 5,154,329 A * 10/1992 Dorfmueller A47G 25/36
206/292
- 5,664,709 A * 9/1997 Graham A47G 25/16
223/85
- 5,894,969 A * 4/1999 Speckert A47G 25/20
223/84
- D498,936 S * 11/2004 Gouldson D6/326
- D642,387 S * 8/2011 Jeon D6/315

* cited by examiner

Primary Examiner — Lauren R Calve
(74) *Attorney, Agent, or Firm* — Schroeder Law PC

(57) **CLAIM**

The ornamental design for a garment hanger, as shown and described.

DESCRIPTION

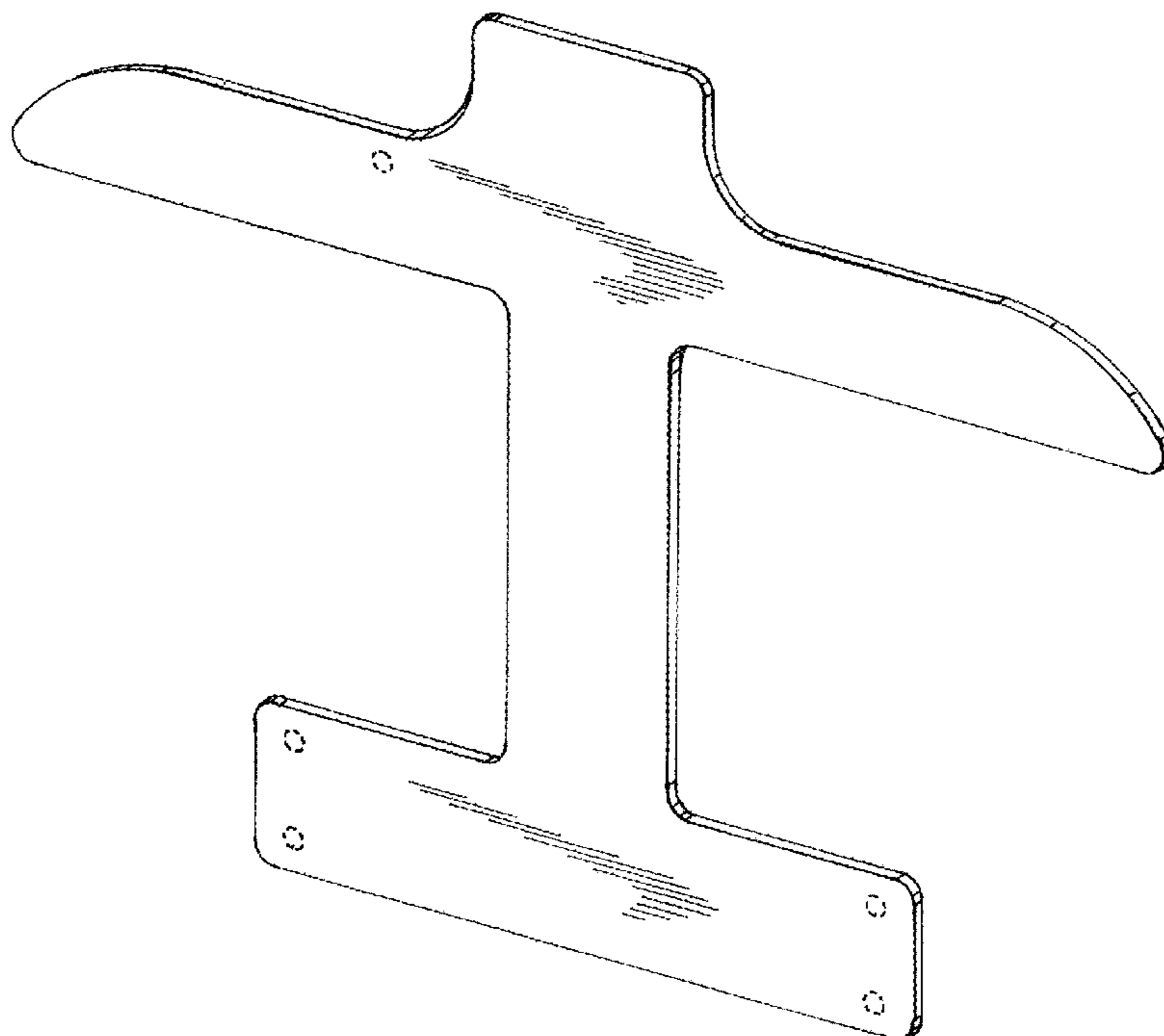
FIG. 1 is a front perspective view of a garment hanger showing our new design;
FIG. 2 is a front elevation view thereof, the rear elevation view being a mirror thereof;
FIG. 3 is a left side elevation view thereof, the right side elevation being identical thereto;
FIG. 4 is a top view thereof; and,
FIG. 5 is a bottom view thereof.

1 Claim, 3 Drawing Sheets

(56) **References Cited**

U.S. PATENT DOCUMENTS

- 1,101,837 A * 6/1914 Davis A47G 25/30
223/92
- 1,417,921 A * 5/1922 Kitchingman A47G 25/28
223/88
- 1,540,363 A * 6/1925 Reid A47G 25/40
223/88
- 1,962,712 A * 6/1934 Dukes A47G 25/36
223/87



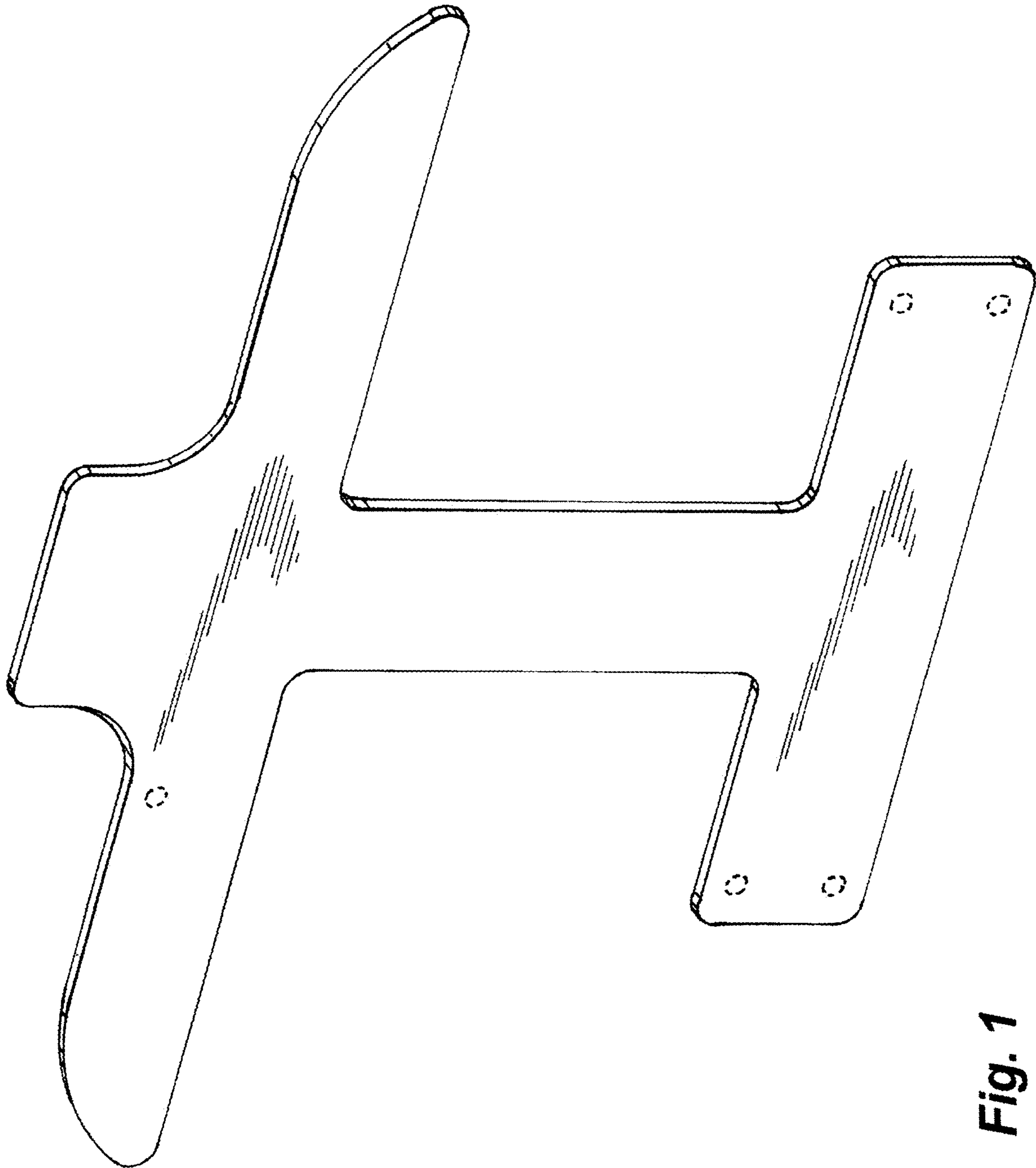


Fig. 1

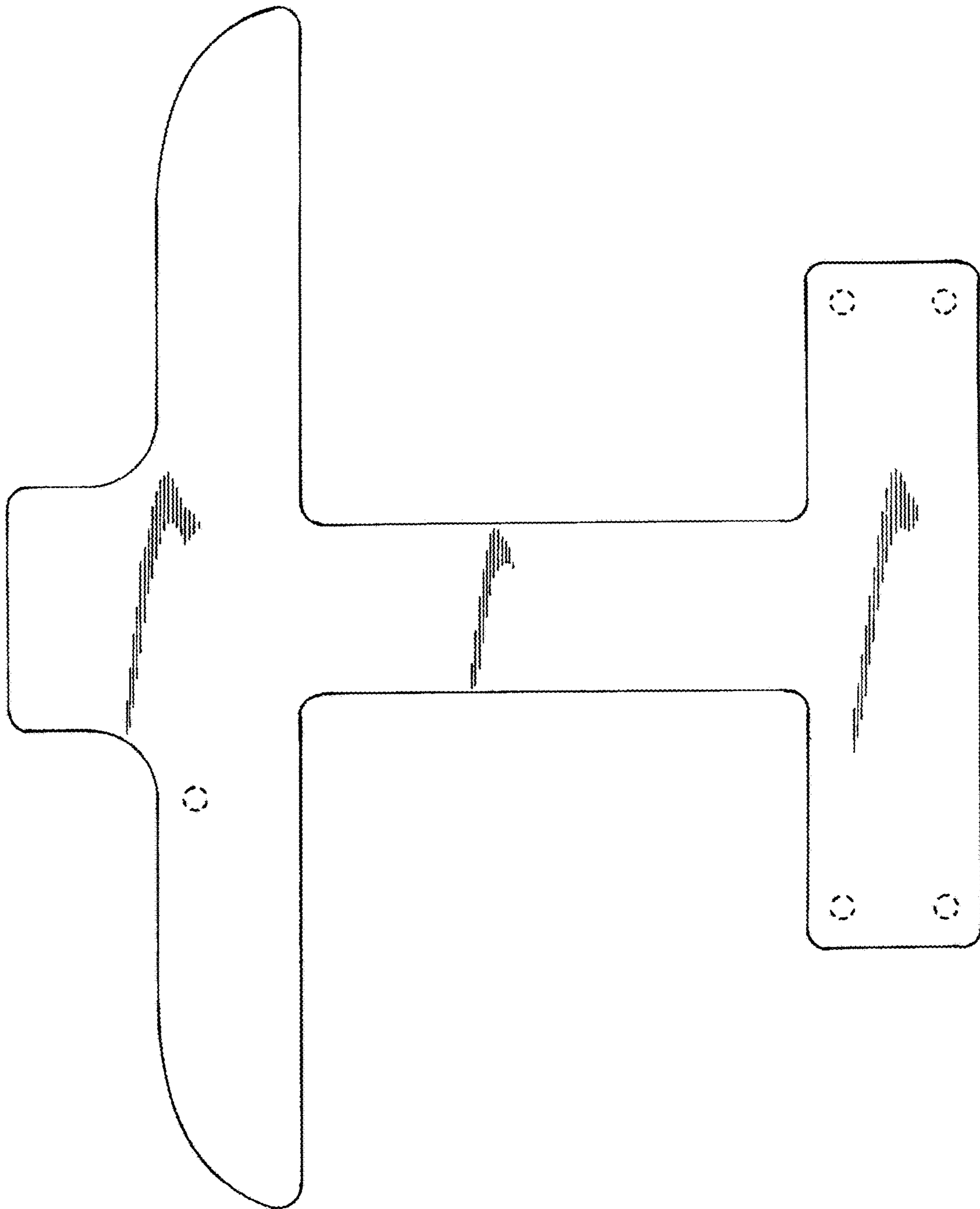


Fig. 2

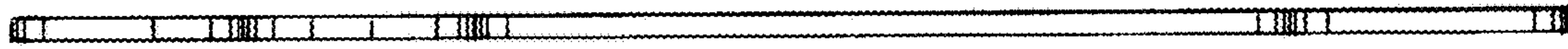


Fig. 3

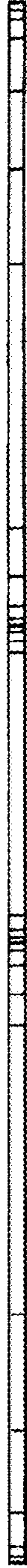


Fig. 4



Fig. 5