



US00D905449S

(12) **United States Design Patent** (10) **Patent No.:** **US D905,449 S**
Yang (45) **Date of Patent:** **** *Dec. 22, 2020**

(54) **MAKEUP MIRROR**
(71) Applicant: **DONGGUAN POWERME PLASTIC MFG. CO. LTD.**, Dongguan (CN)
(72) Inventor: **Guowei Yang**, Guangdong (CN)
(73) Assignee: **Dongguan Powerme Plastic Mfg. Co., Ltd.**, Dongguan (CN)
(*) Notice: This patent is subject to a terminal disclaimer.
(**) Term: **15 Years**

D506,074 S *	6/2005	Chen	D6/300
D639,077 S *	6/2011	DeBretton Gordon	D6/310
D658,899 S *	5/2012	Zadro	D6/309
D661,910 S *	6/2012	Yang	D6/312
D689,701 S *	9/2013	Mischel, Jr.	D6/309
D751,829 S *	3/2016	Yang	D6/309
D754,446 S *	4/2016	Yang	D6/310
D841,342 S *	2/2019	Melocchi	D6/309
D848,931 S *	5/2019	Yang	D12/416
10,337,709 B1 *	7/2019	Lo	A45D 42/16
D865,375 S *	11/2019	Yang	D6/310
D870,645 S *	12/2019	Yang	D12/416
D872,488 S *	1/2020	Choi	D6/309
D873,034 S *	1/2020	Boehm	D6/309
D873,574 S *	1/2020	Wei	D6/309

* cited by examiner

(21) Appl. No.: **29/675,393**
(22) Filed: **Dec. 31, 2018**

Primary Examiner — Deanna L Pratt
(74) *Attorney, Agent, or Firm* — True Shepherd LLC;
Andrew C. Cheng

(30) **Foreign Application Priority Data**

Nov. 10, 2018 (CN) 2018 3 0635956

(51) **LOC (12) Cl.** **06-07**
(52) **U.S. Cl.**
USPC **D6/310**

(58) **Field of Classification Search**
USPC D6/300-314
CPC ... A47G 1/00; A47G 1/02; A47G 1/06; A47G 1/0616; A47G 1/14; A47G 1/141; A45D 42/00; A45D 42/08; A45D 42/14; A45D 42/16; A45D 42/10
See application file for complete search history.

(56) **References Cited**
U.S. PATENT DOCUMENTS

D283,998 S *	5/1986	Tanaka	D12/187
D370,354 S *	6/1996	Deakyne	D6/300

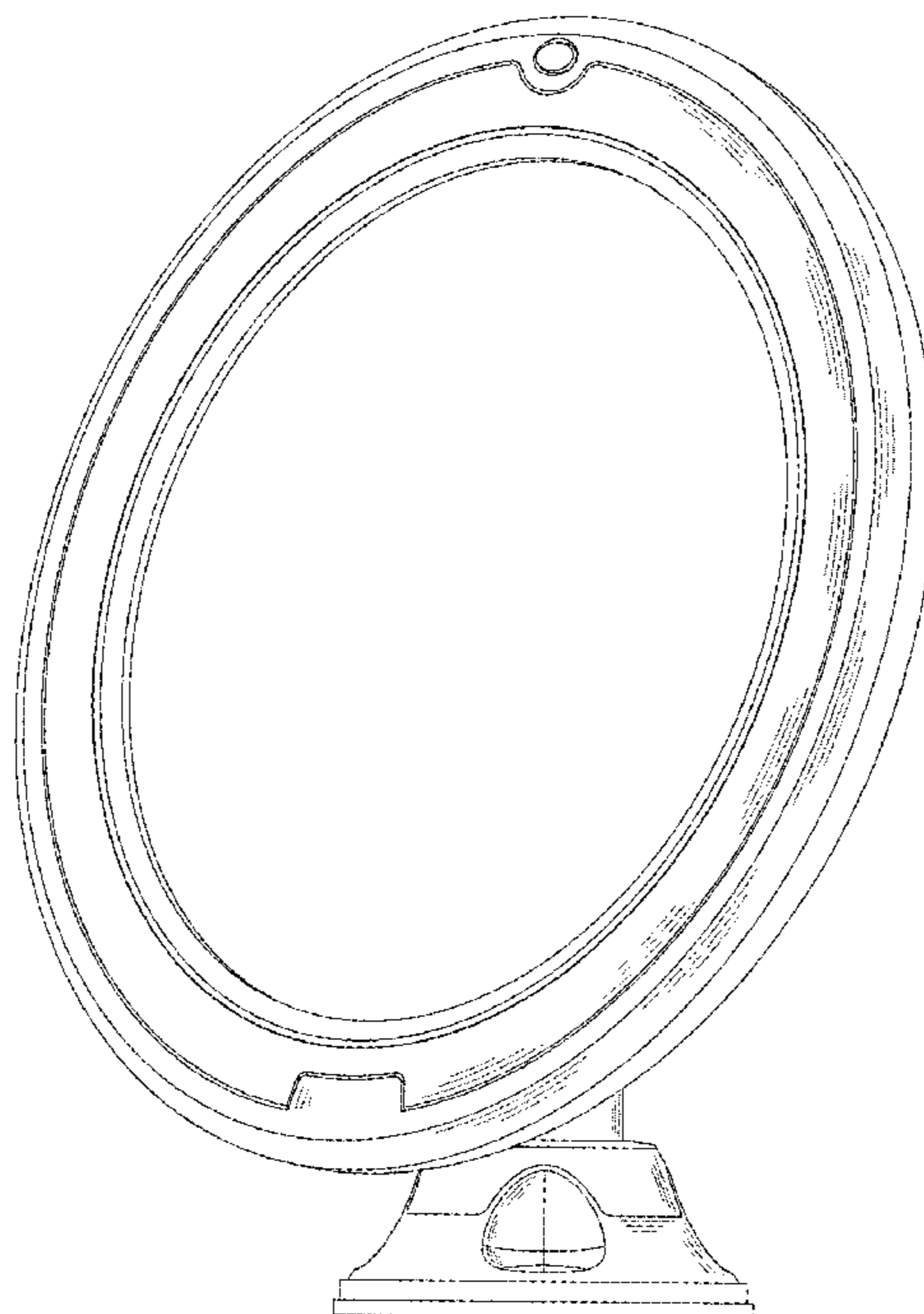
(57) **CLAIM**

The ornamental design for a makeup mirror, as shown and described.

DESCRIPTION

FIG. 1 is a front elevational view of a makeup mirror showing my new design;
FIG. 2 is a Rear elevational view thereof;
FIG. 3 is a Left side view thereof;
FIG. 4 is a Right side view thereof;
FIG. 5 is a Top plan view thereof;
FIG. 6 is a Bottom plan view thereof; and,
FIG. 7 is a Perspective view thereof.

1 Claim, 7 Drawing Sheets



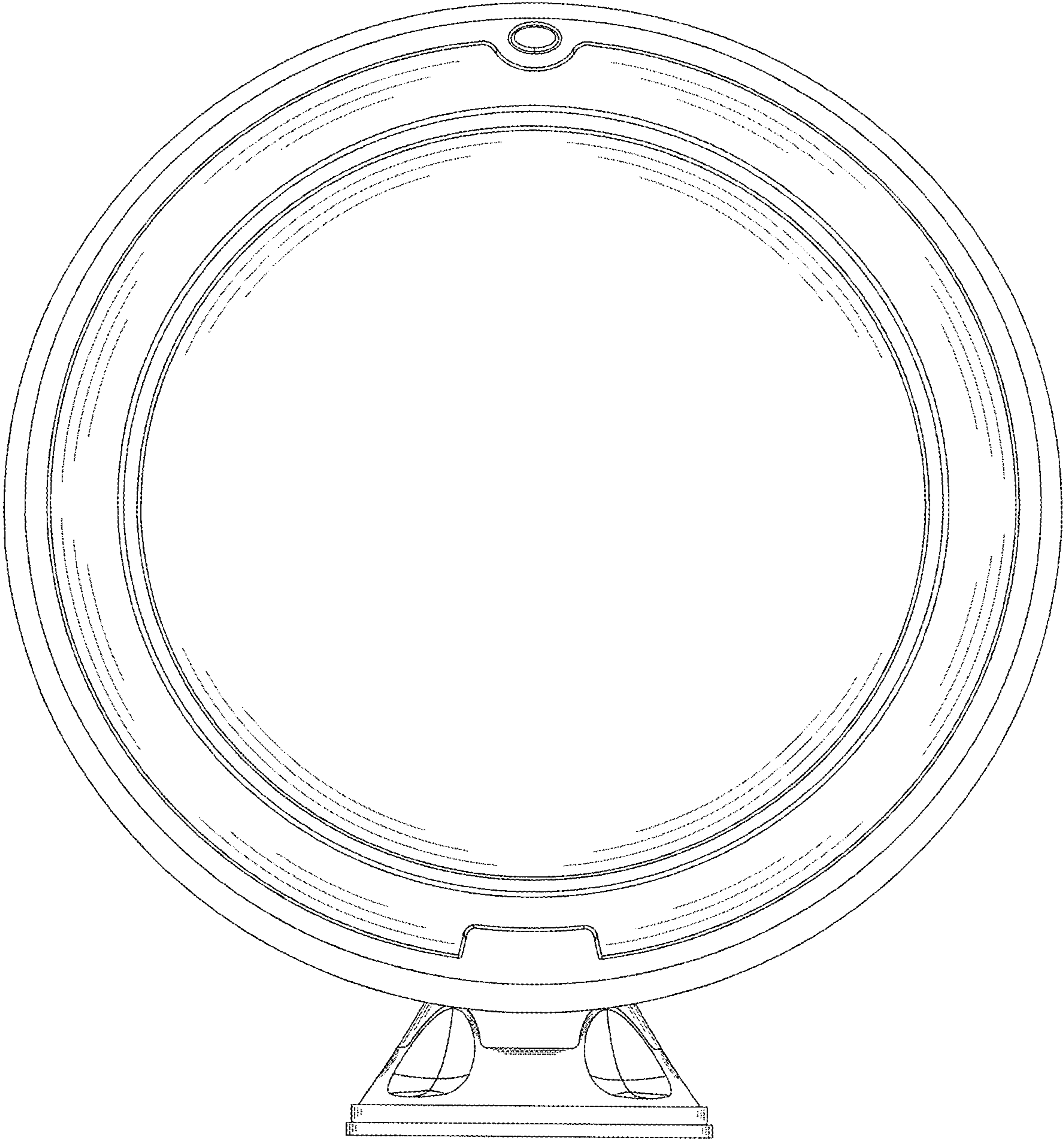


Fig. 1

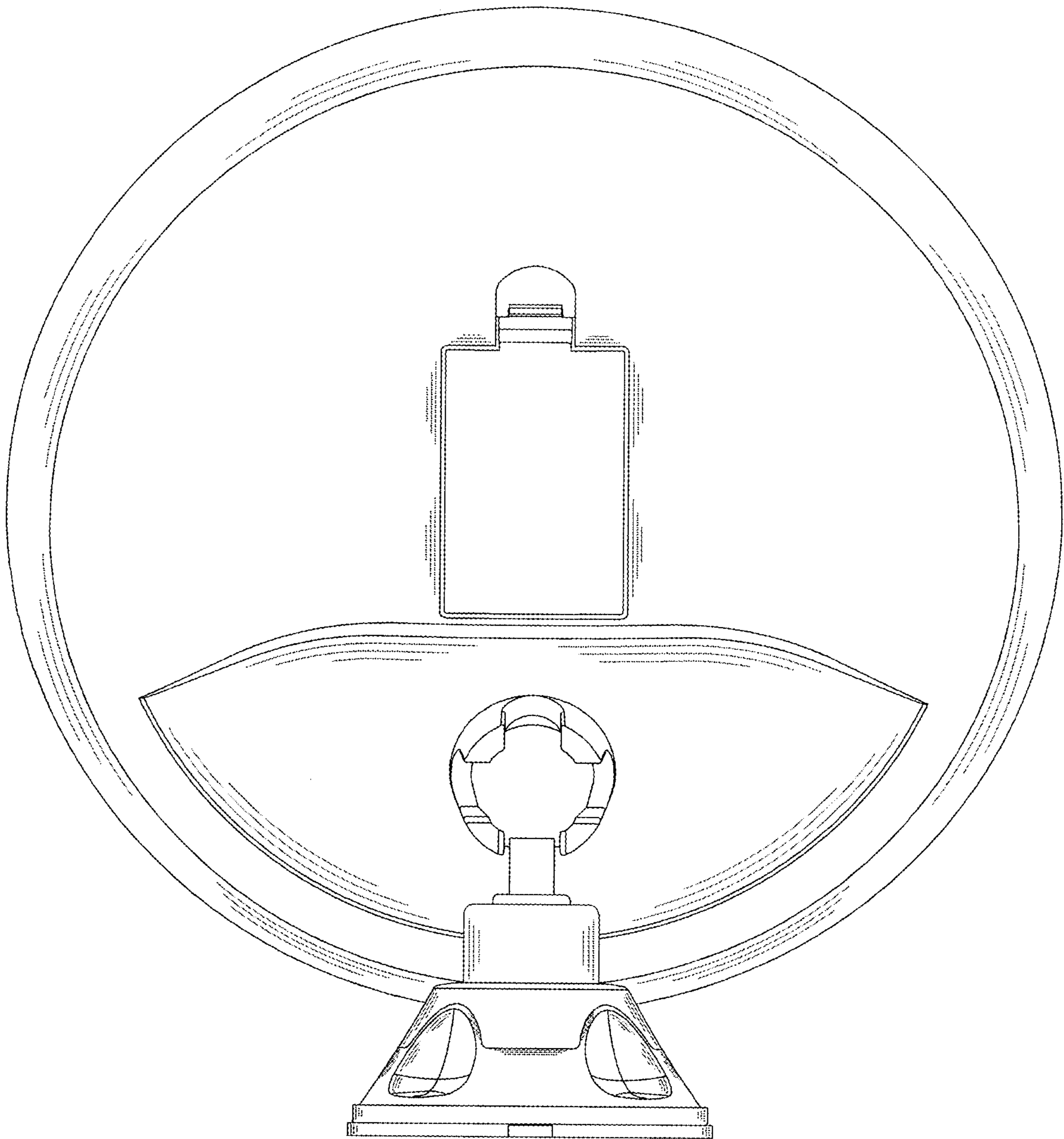


Fig. 2

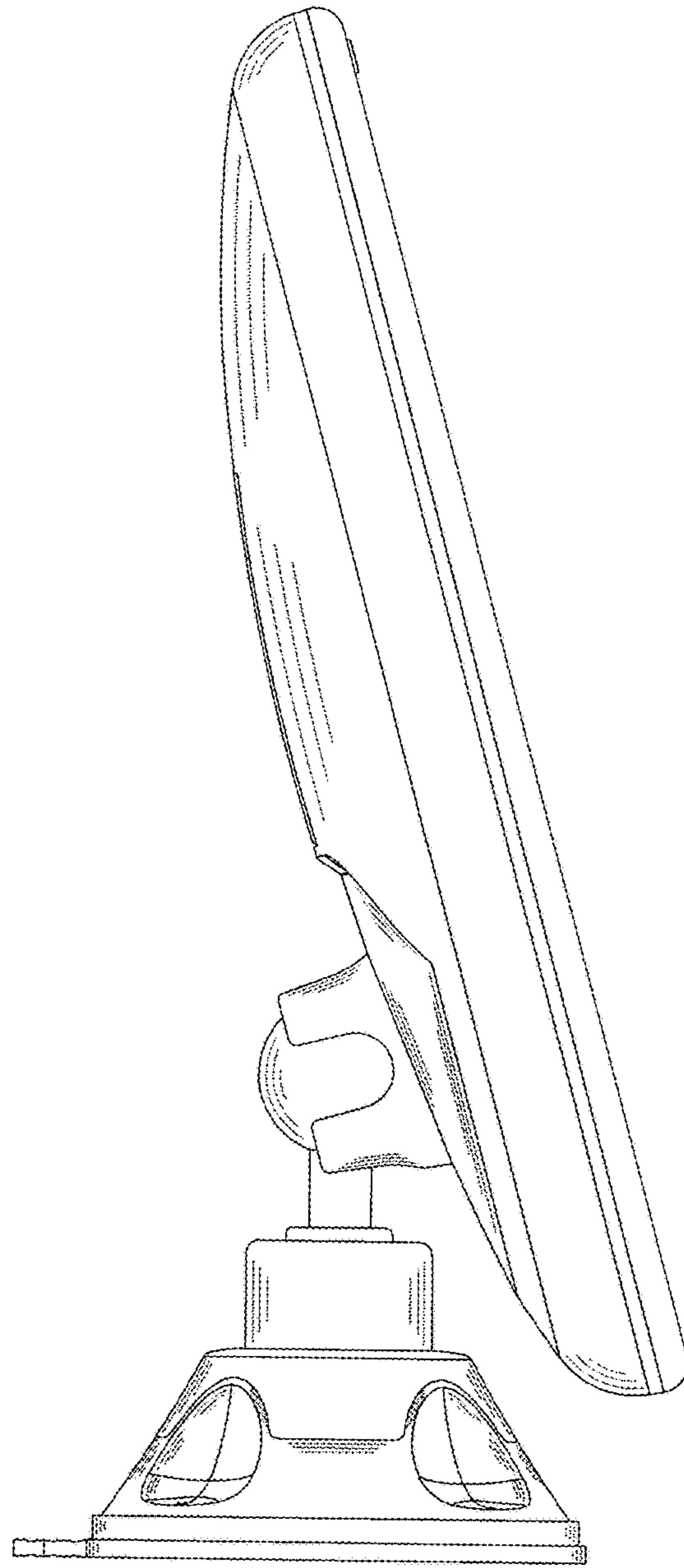


Fig. 3

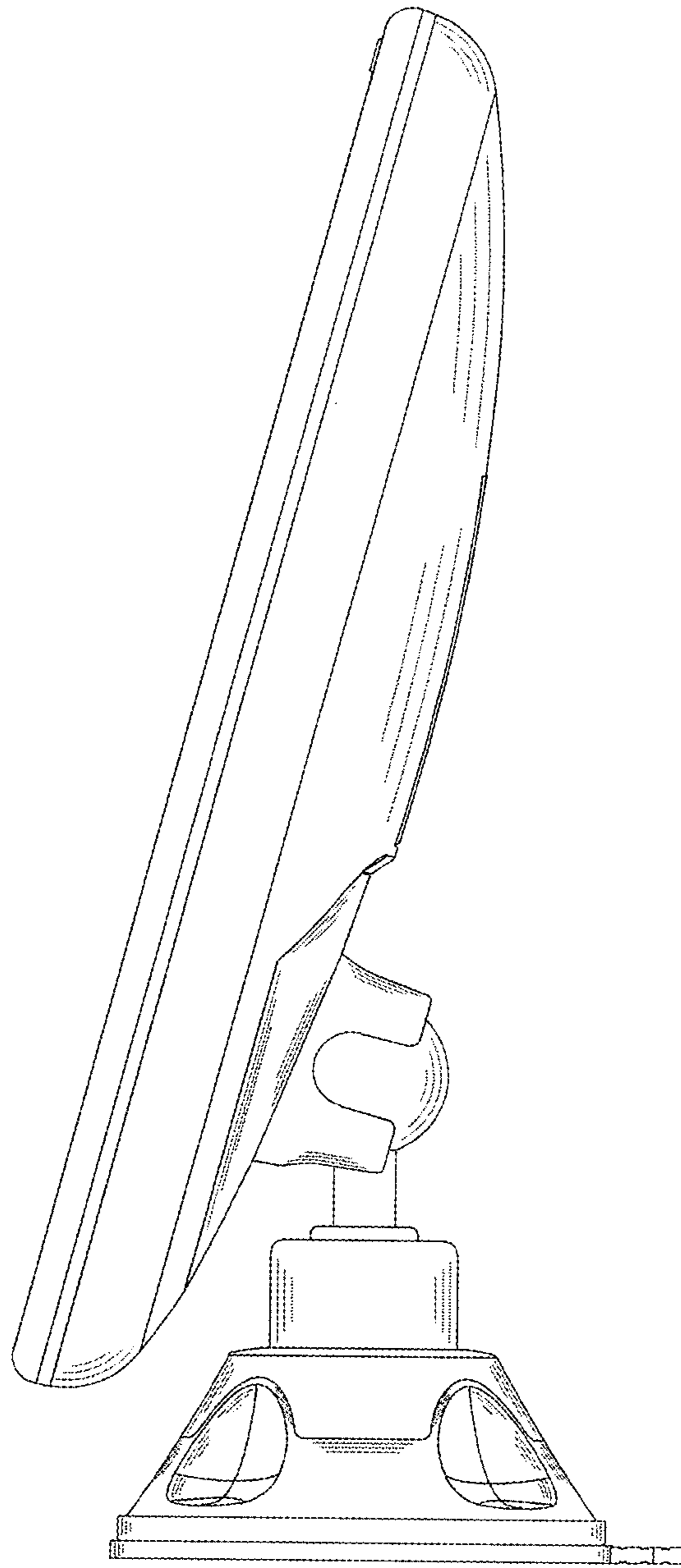


Fig. 4

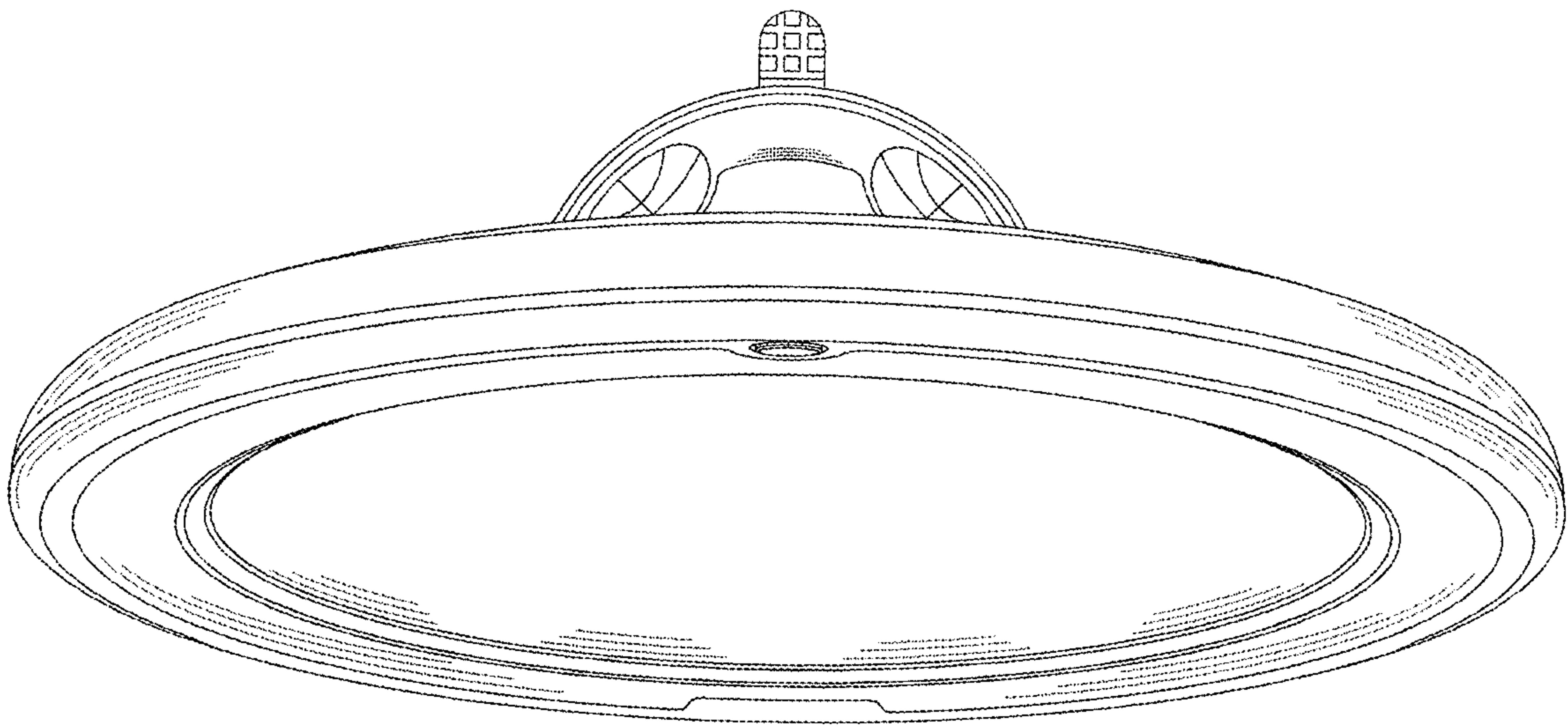


Fig. 5

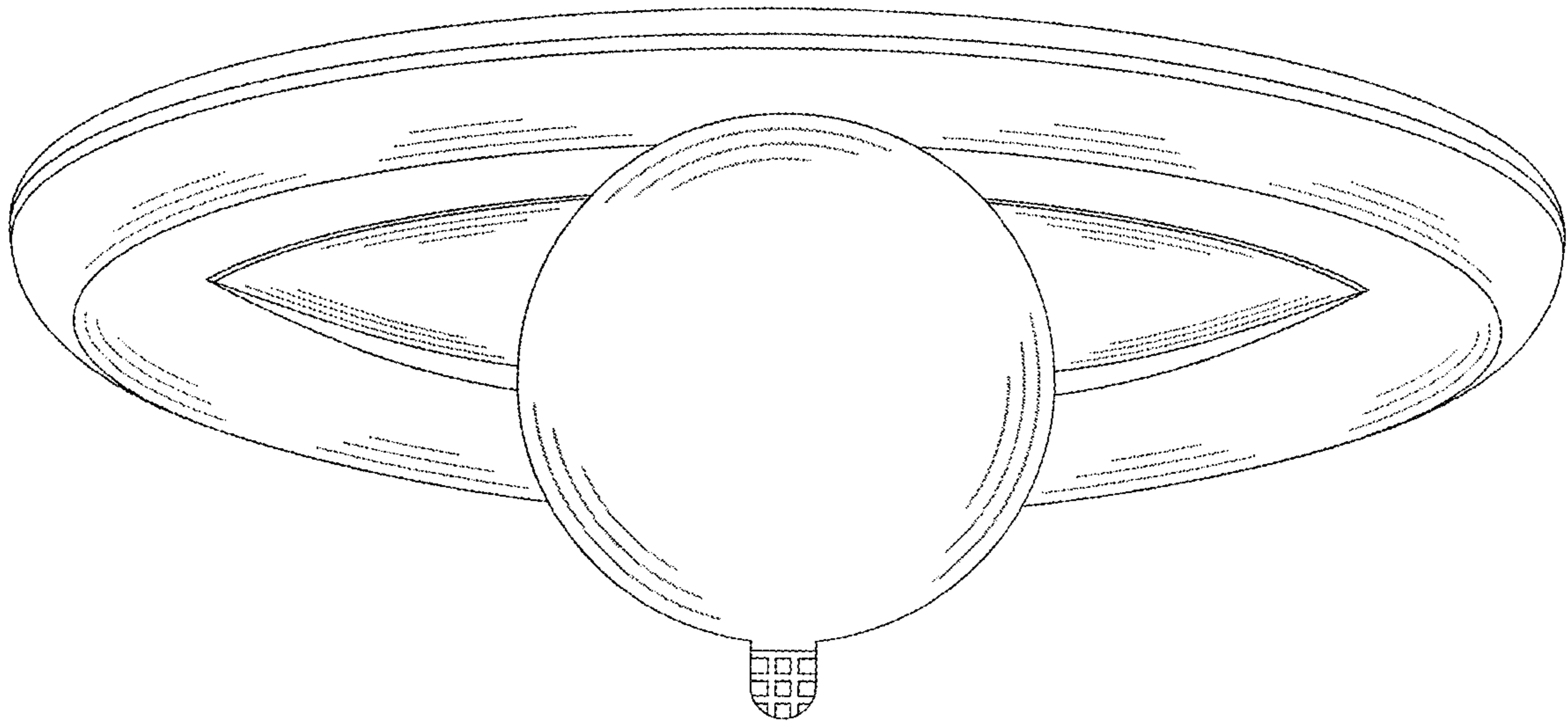


Fig. 6

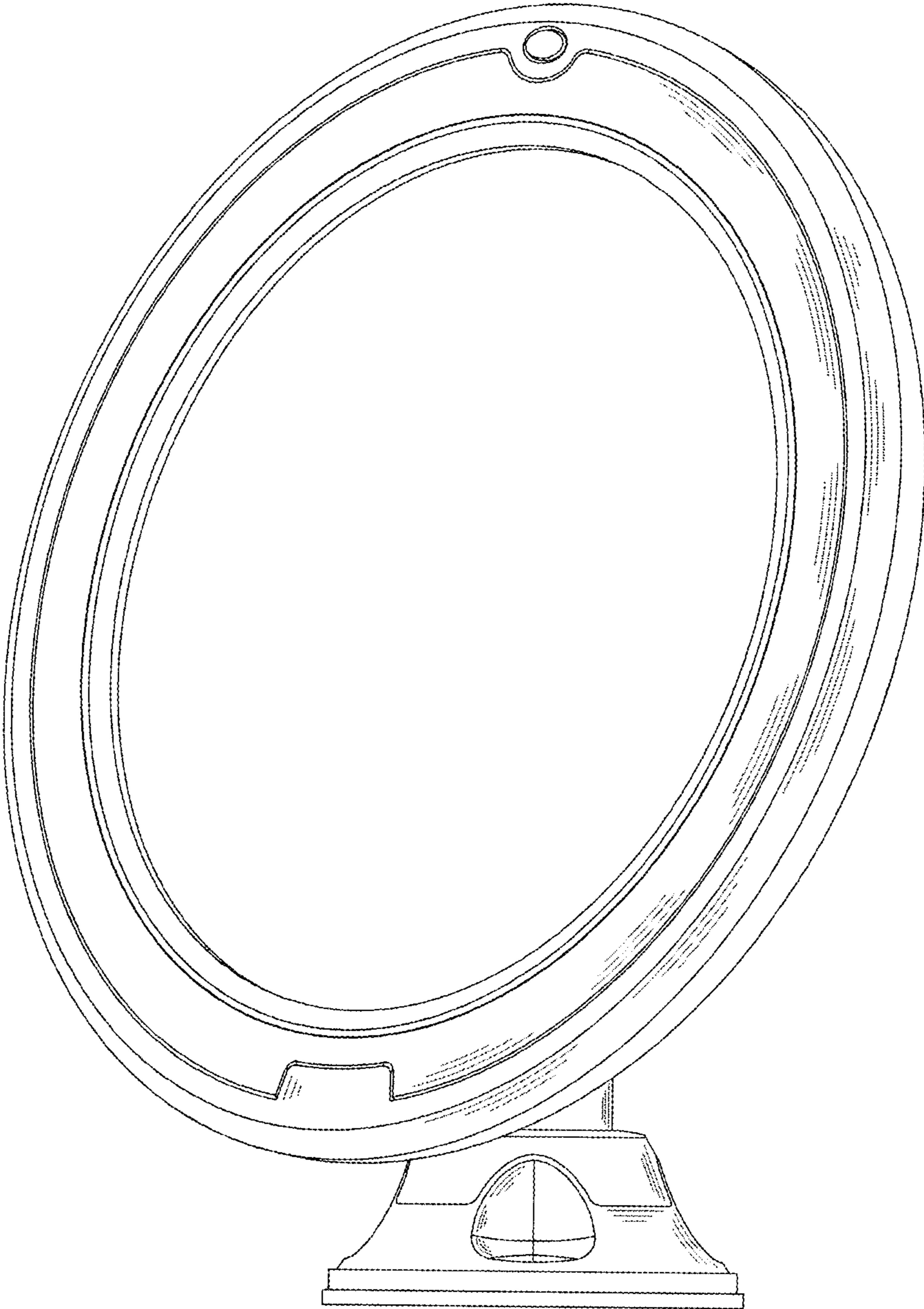


Fig. 7