



US00D905448S

(12) **United States Design Patent**
Yang

(10) **Patent No.:** **US D905,448 S**

(45) **Date of Patent:** **** Dec. 22, 2020**

(54) **MAKEUP MIRROR**

(71) Applicant: **Dongguan Powerme Plastic Mfg. Co., Ltd.**, Dongguan (CN)

(72) Inventor: **Guowei Yang**, Jiangmen (CN)

(73) Assignee: **Dongguan Powerme Plastic Mfg. Co., Ltd.**, Dongguan (CN)

(**) Term: **15 Years**

(21) Appl. No.: **29/675,378**

(22) Filed: **Dec. 31, 2018**

(30) **Foreign Application Priority Data**

Nov. 10, 2018 (CN) 2018 3 0635964

(51) **LOC (12) Cl.** **06-07**

(52) **U.S. Cl.**
USPC **D6/310**

(58) **Field of Classification Search**

USPC D6/300-314
CPC ... A47G 1/00; A47G 1/02; A47G 1/06; A47G 1/0616; A47G 1/14; A47G 1/141; A45D 42/00; A45D 42/08; A45D 42/14; A45D 42/16; A45D 42/10

See application file for complete search history.

(56) **References Cited**

U.S. PATENT DOCUMENTS

D547,555 S * 7/2007 Lo D6/312
D701,050 S * 3/2014 Yang D6/309

D736,001 S * 8/2015 Yang D6/309
D825,940 S * 8/2018 Liu D6/309
D830,070 S * 10/2018 Liu D6/309
D846,288 S * 4/2019 Yang D6/309
D879,480 S * 3/2020 Yang D6/308
D879,481 S * 3/2020 Yang D6/309
D882,280 S * 4/2020 Yang D6/309
D885,769 S * 6/2020 Wang D6/309
2017/0164719 A1 * 6/2017 Wheeler A45D 42/16

* cited by examiner

Primary Examiner — Deanna L Pratt

(74) *Attorney, Agent, or Firm* — True Shepherd LLC;
Andrew C. Cheng

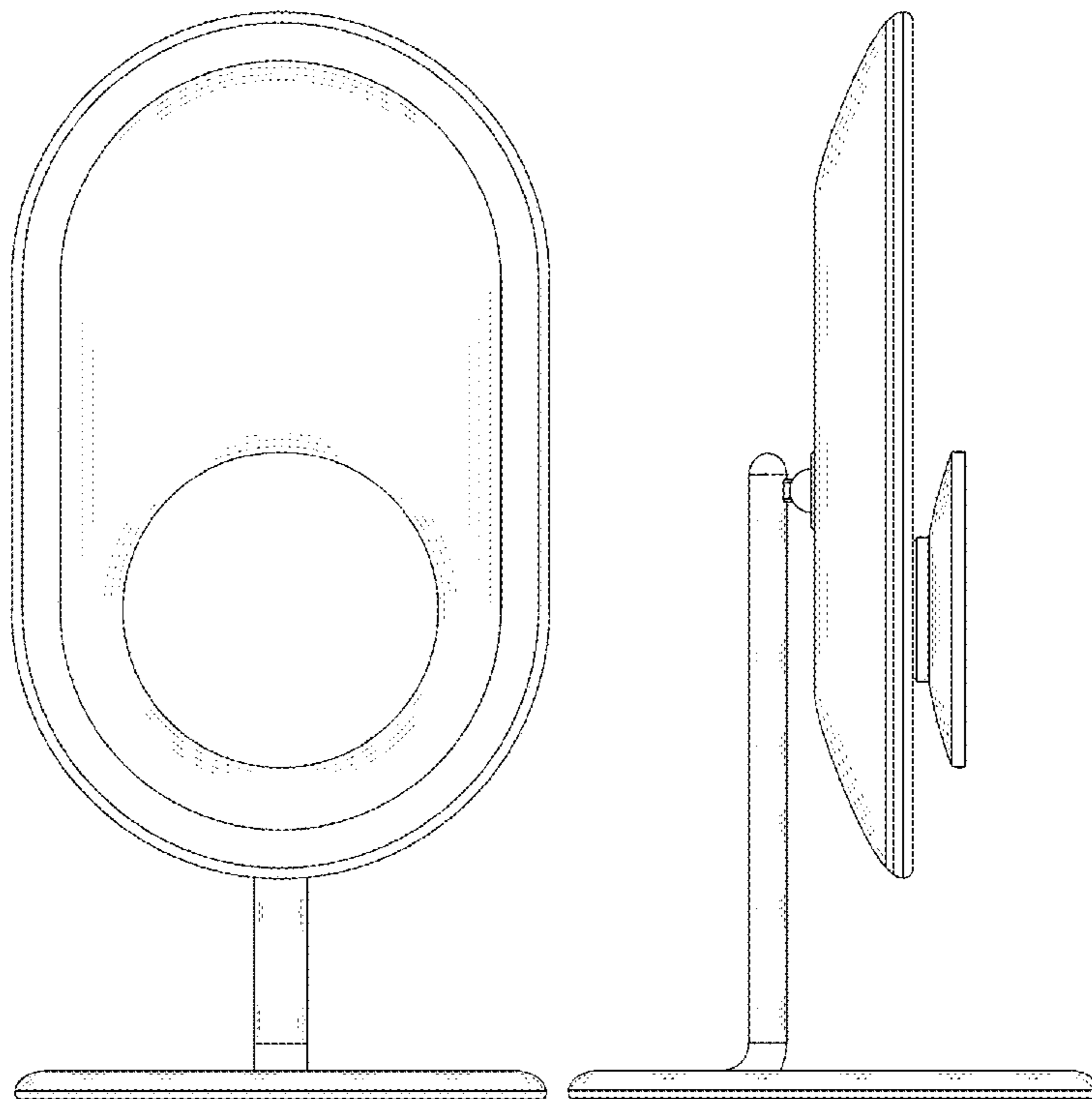
(57) **CLAIM**

The ornamental design for a makeup mirror, as shown and described.

DESCRIPTION

FIG. 1 is a front elevational view of a makeup mirror showing my new design;
FIG. 2 is a Rear elevational view thereof;
FIG. 3 is a Left side view thereof;
FIG. 4 is a Right side view thereof;
FIG. 5 is a Top plan view thereof;
FIG. 6 is a Bottom plan view thereof; and,
FIG. 7 is a Perspective view thereof.

1 Claim, 7 Drawing Sheets



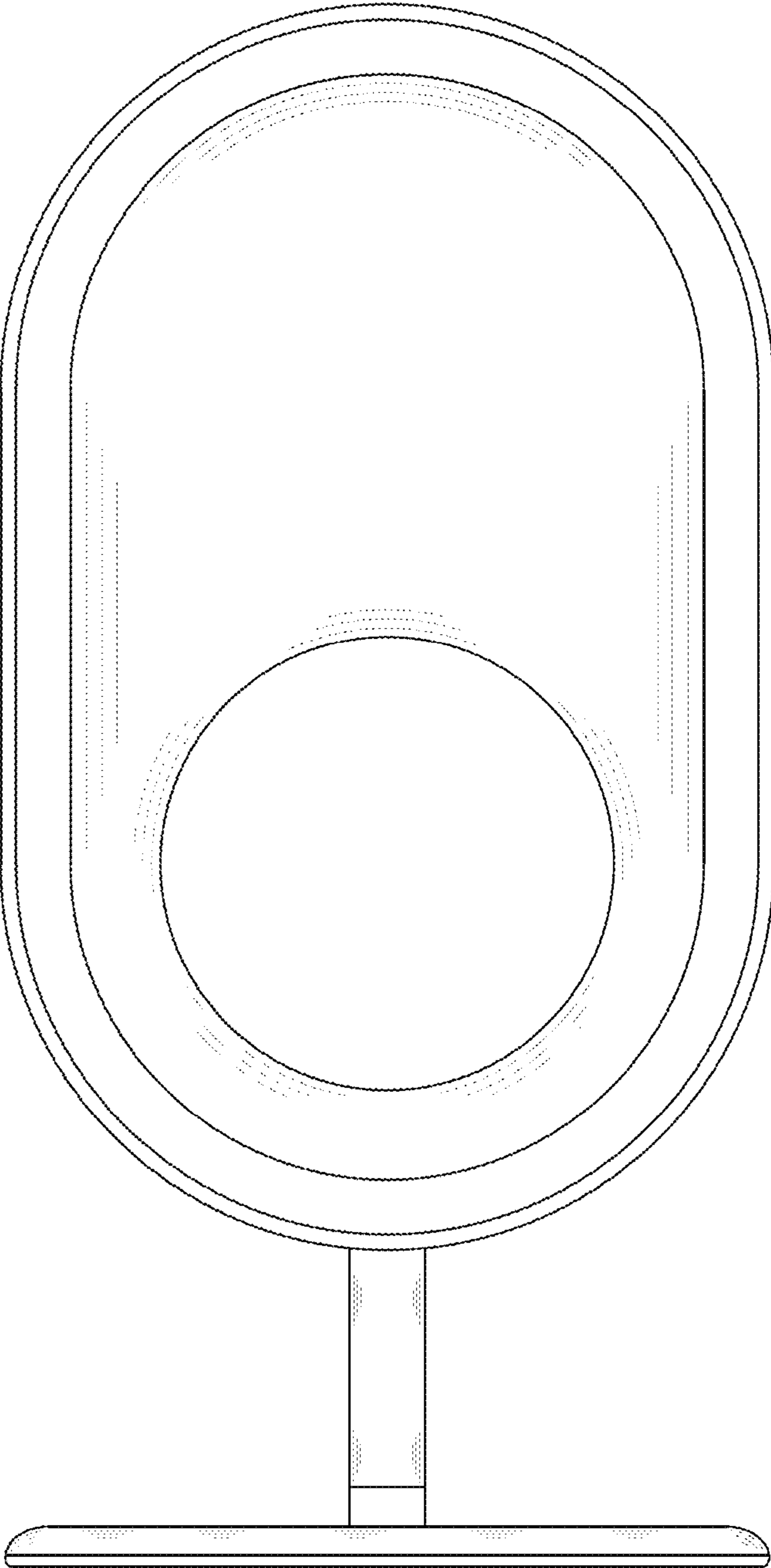


Fig. 1

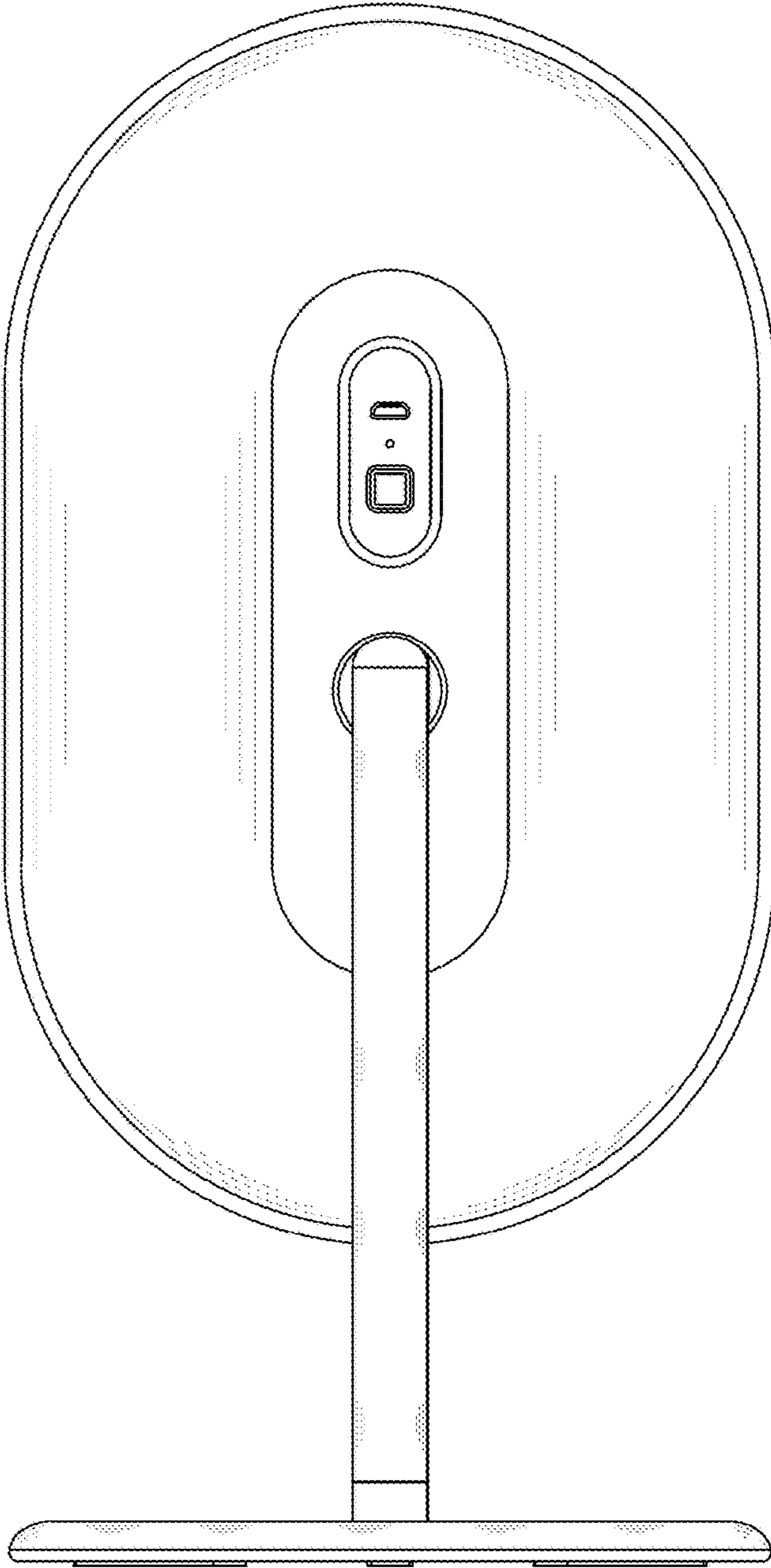


Fig. 2

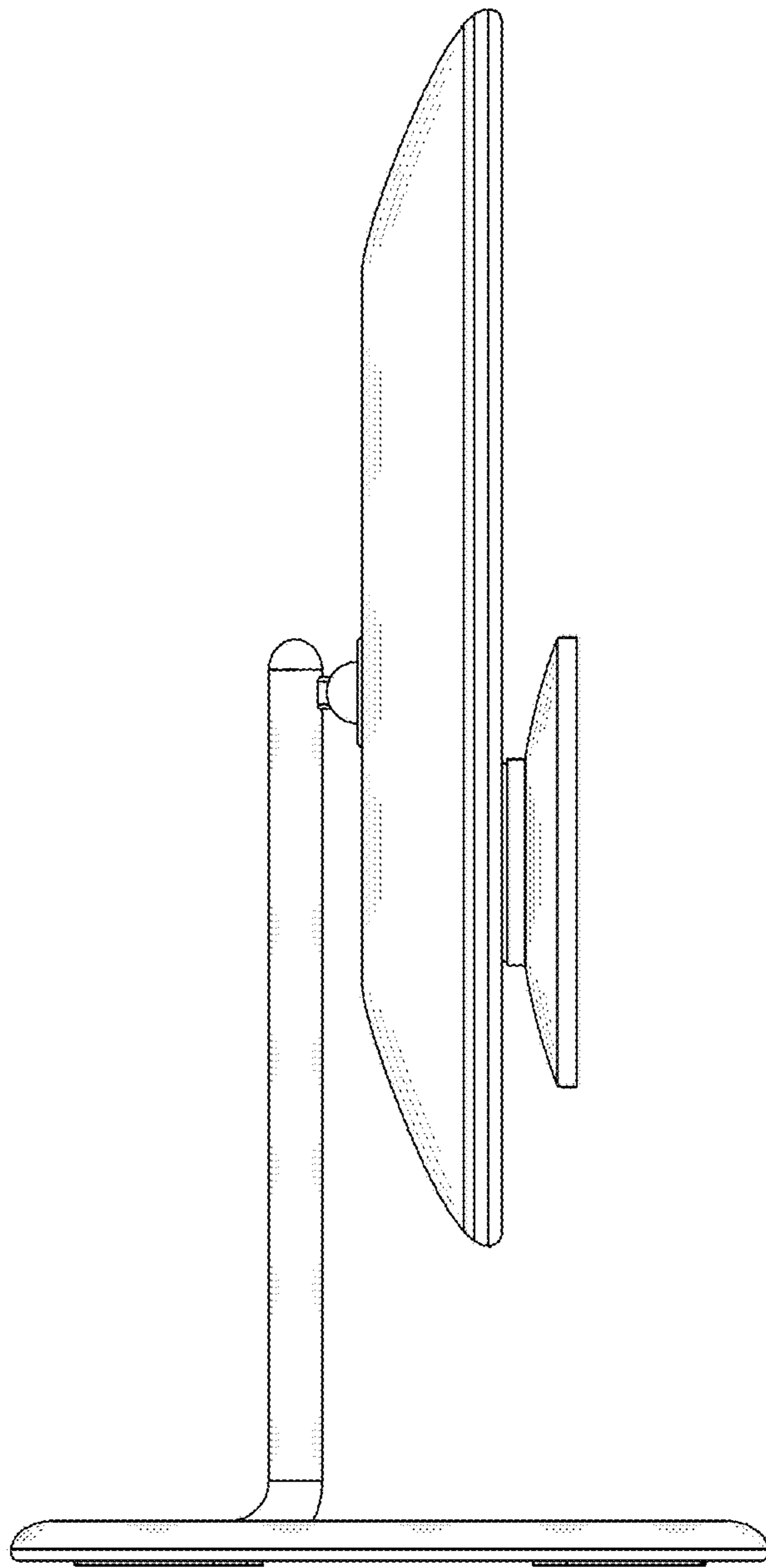


Fig. 3

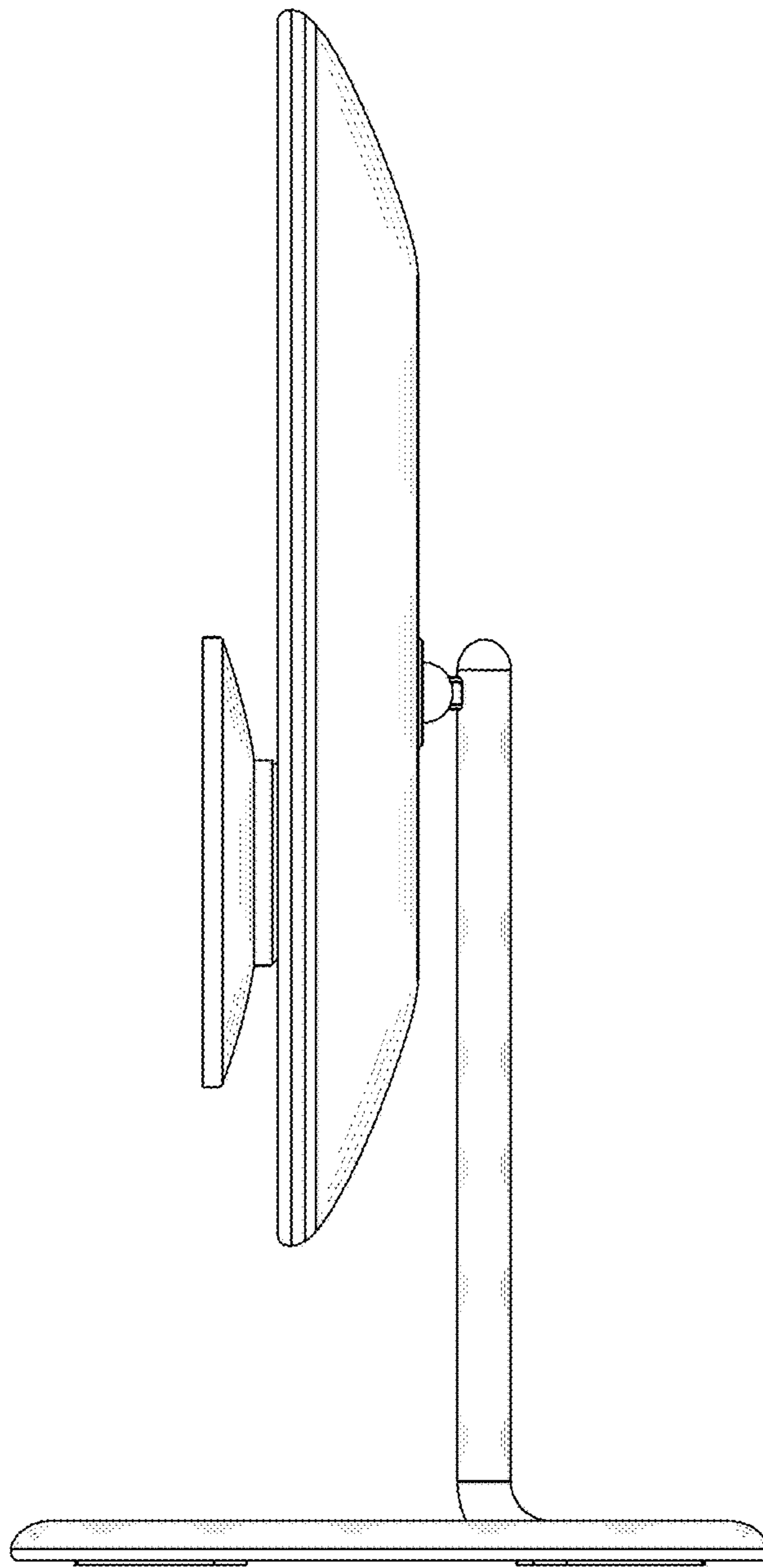


Fig. 4

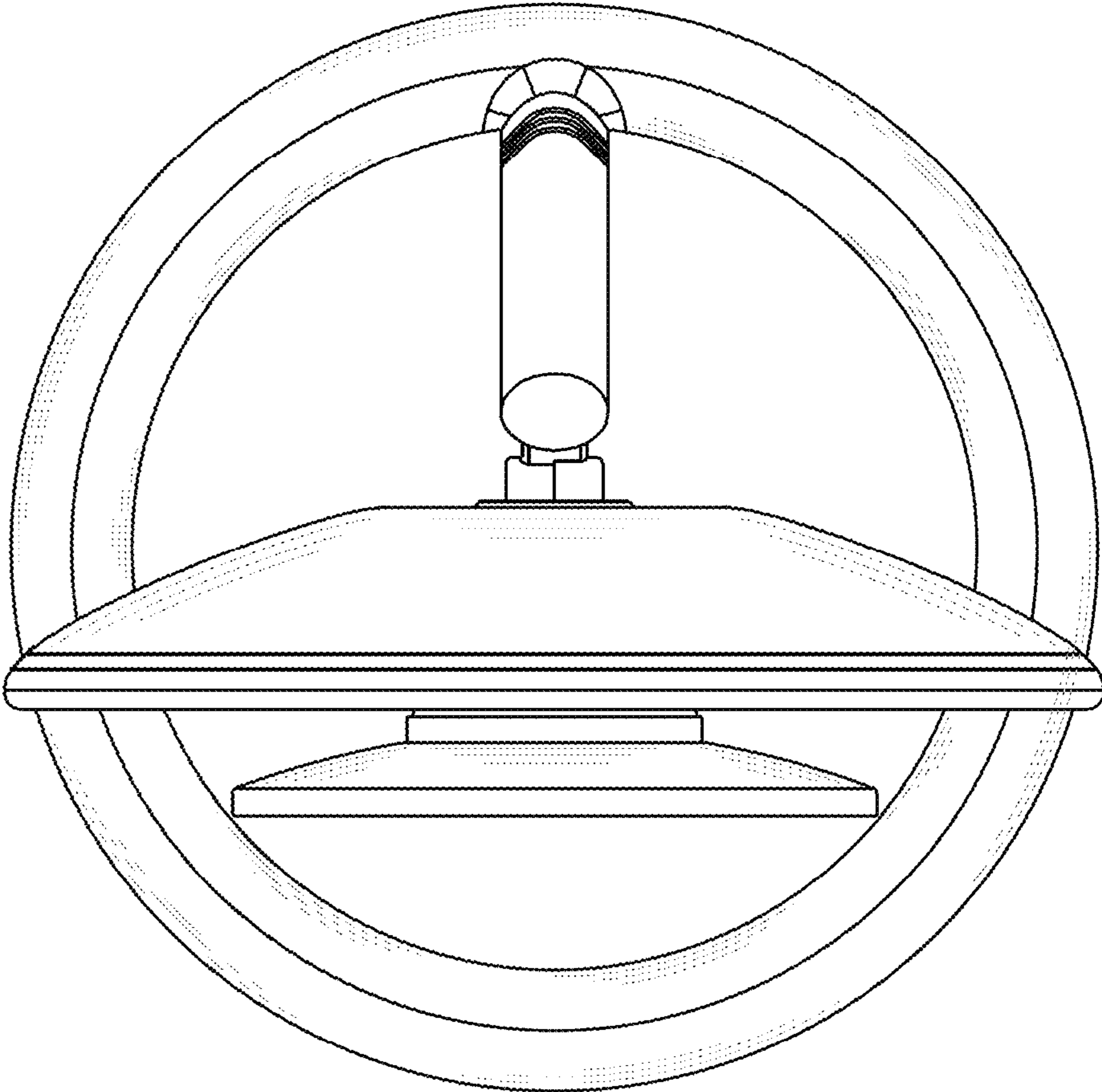


Fig. 5

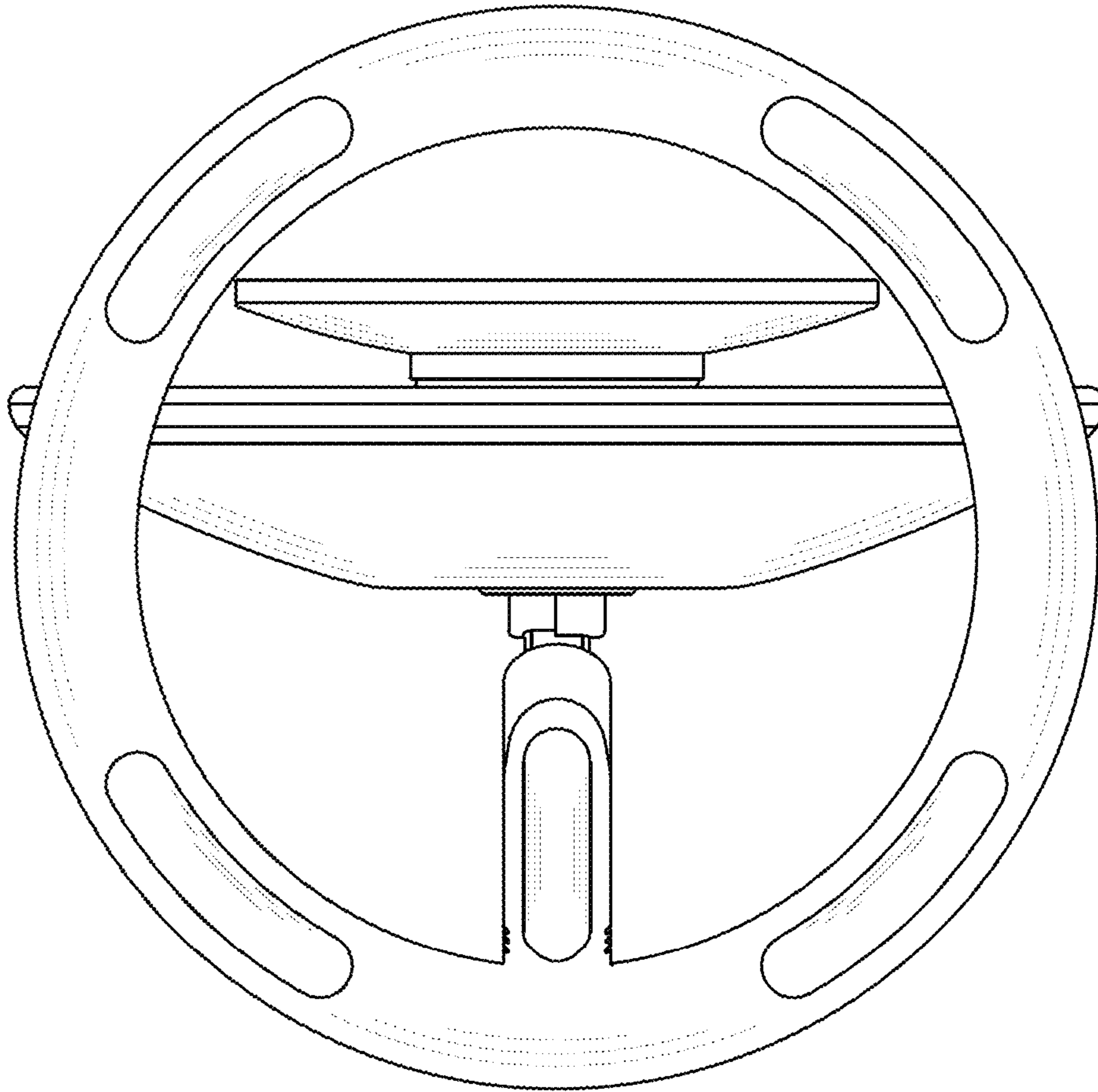


Fig. 6

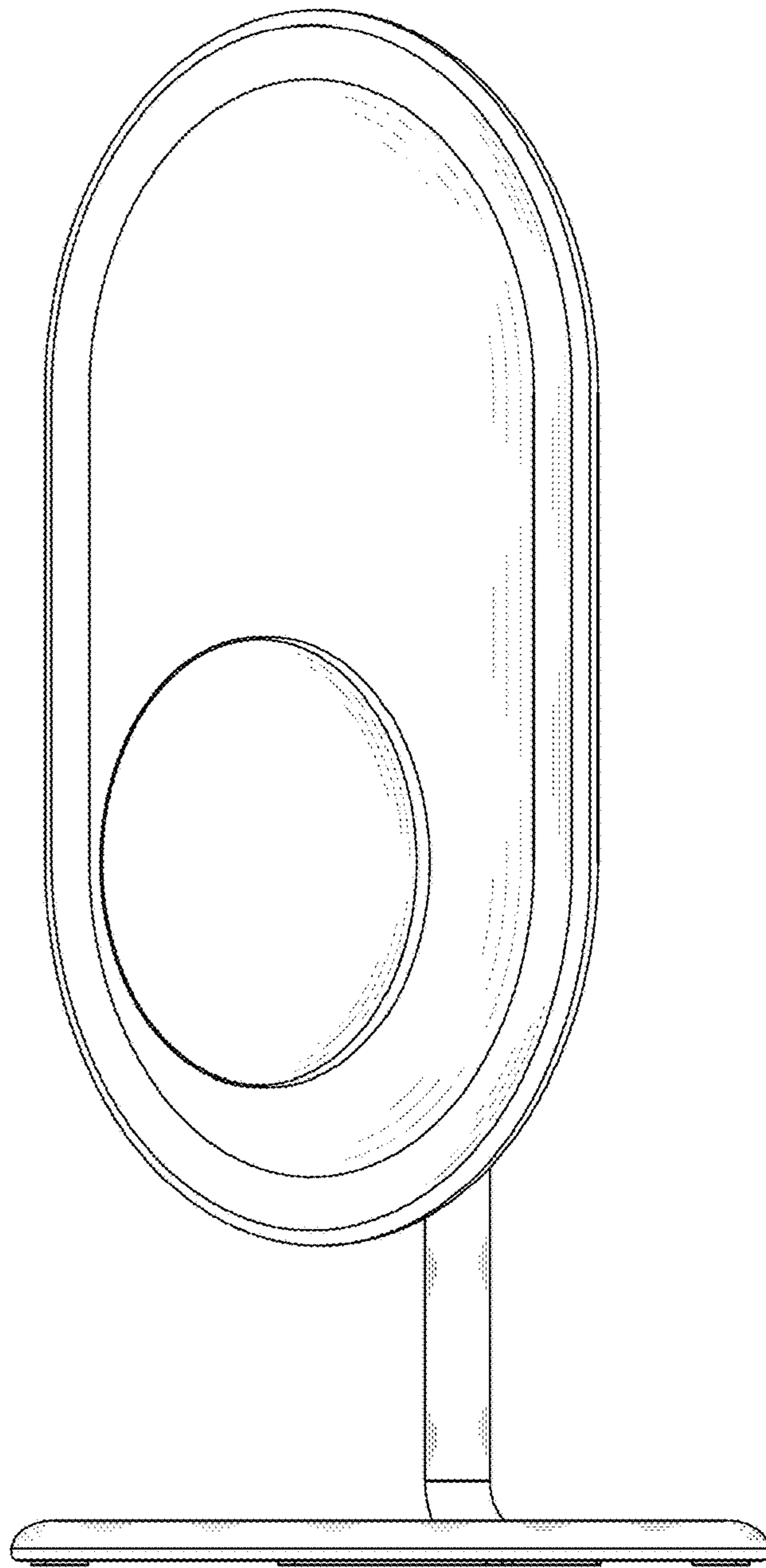


Fig. 7