



US00D905447S

(12) **United States Design Patent**
Yang

(10) **Patent No.:** **US D905,447 S**

(45) **Date of Patent:** **** Dec. 22, 2020**

(54) **MAKEUP MIRROR**

(71) Applicant: **Dongguan Powerme Plastic Mfg. Co., Ltd.**, Dongguan (CN)

(72) Inventor: **Guowei Yang**, Jiangmen (CN)

(73) Assignee: **Dongguan Powerme Plastic Mfg. Co., Ltd.**, Dongguan (CN)

(**) Term: **15 Years**

(21) Appl. No.: **29/675,370**

(22) Filed: **Dec. 31, 2018**

(30) **Foreign Application Priority Data**

Jul. 12, 2018 (CN) 2018 3 0376400

(51) **LOC (12) Cl.** **06-07**

(52) **U.S. Cl.**
USPC **D6/310**

(58) **Field of Classification Search**
USPC D6/300-314
CPC ... A47G 1/00; A47G 1/02; A47G 1/06; A47G 1/0616; A47G 1/14; A47G 1/141; A45D 42/00; A45D 42/08; A45D 42/14; A45D 42/16; A45D 42/10
See application file for complete search history.

(56) **References Cited**

U.S. PATENT DOCUMENTS

D283,998 S * 5/1986 Tanaka D12/187
D370,354 S * 6/1996 Deakyne D6/300

D506,074 S * 6/2005 Chen D6/300
D639,077 S * 6/2011 DeBretton Gordon D6/310
D658,899 S * 5/2012 Zadro D6/309
D661,910 S * 6/2012 Yang D6/312
D689,701 S * 9/2013 Mischel, Jr. D6/309
D751,829 S * 3/2016 Yang D6/309
D754,446 S * 4/2016 Yang D6/310
D841,342 S * 2/2019 Melocchi D6/309
D848,931 S * 5/2019 Yang D12/416
10,337,709 B1 * 7/2019 Lo A45D 42/16
D865,375 S * 11/2019 Yang D6/310
D870,645 S * 12/2019 Yang D12/416
D872,488 S * 1/2020 Choi D6/309
D873,034 S * 1/2020 Boehm D6/309
D873,574 S * 1/2020 Wei D6/309

* cited by examiner

Primary Examiner — Deanna L Pratt

(74) *Attorney, Agent, or Firm* — True Shepherd LLC;
Andrew C. Cheng

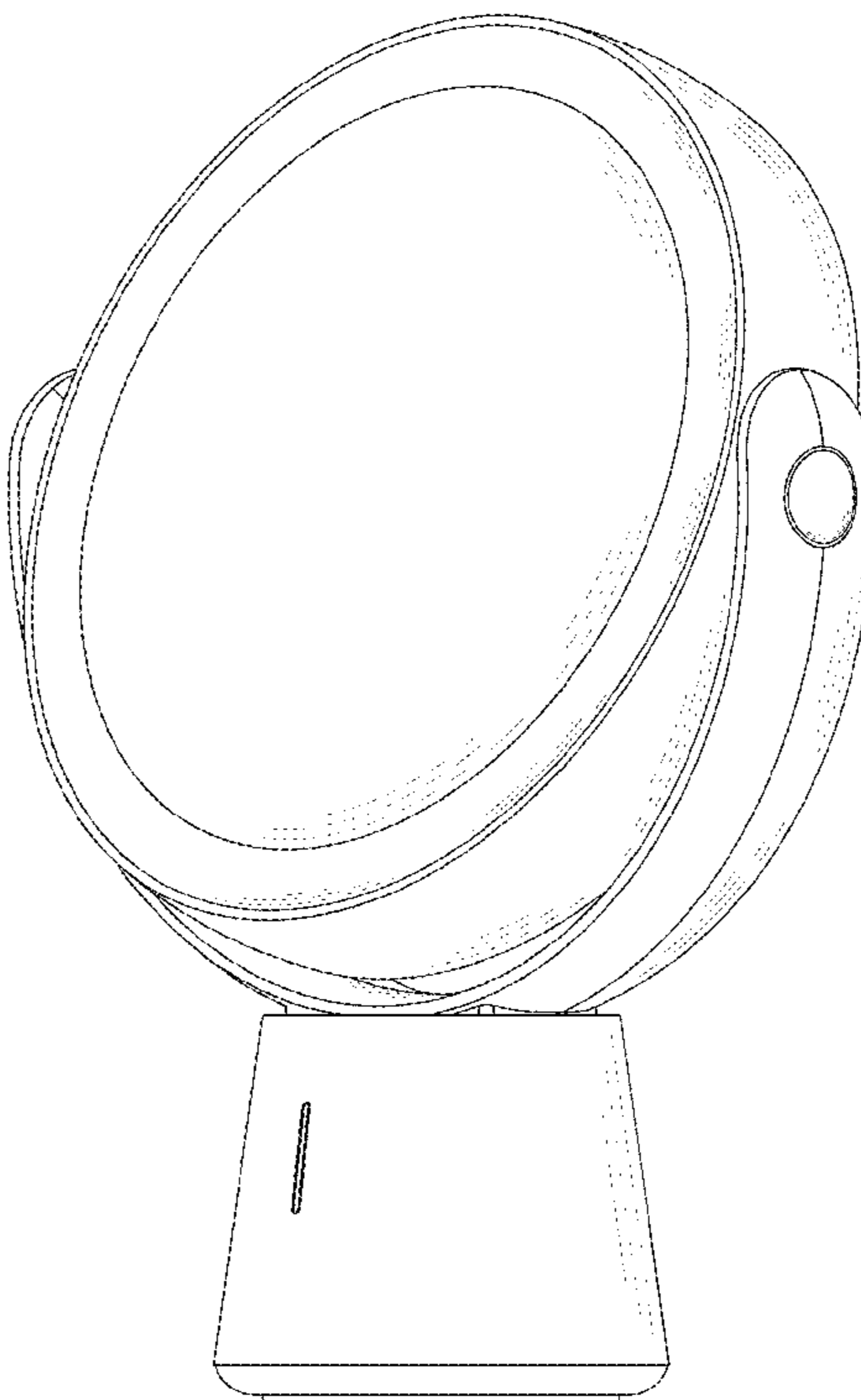
(57) **CLAIM**

The ornamental design for a makeup mirror, as shown and described.

DESCRIPTION

FIG. 1 is a front elevational view of a makeup mirror showing my new design;
FIG. 2 is a Rear elevational view thereof;
FIG. 3 is a Left side view thereof;
FIG. 4 is a Right side view thereof;
FIG. 5 is a Top plan view thereof;
FIG. 6 is a Bottom plan view thereof; and,
FIG. 7 is a Perspective view thereof.

1 Claim, 7 Drawing Sheets



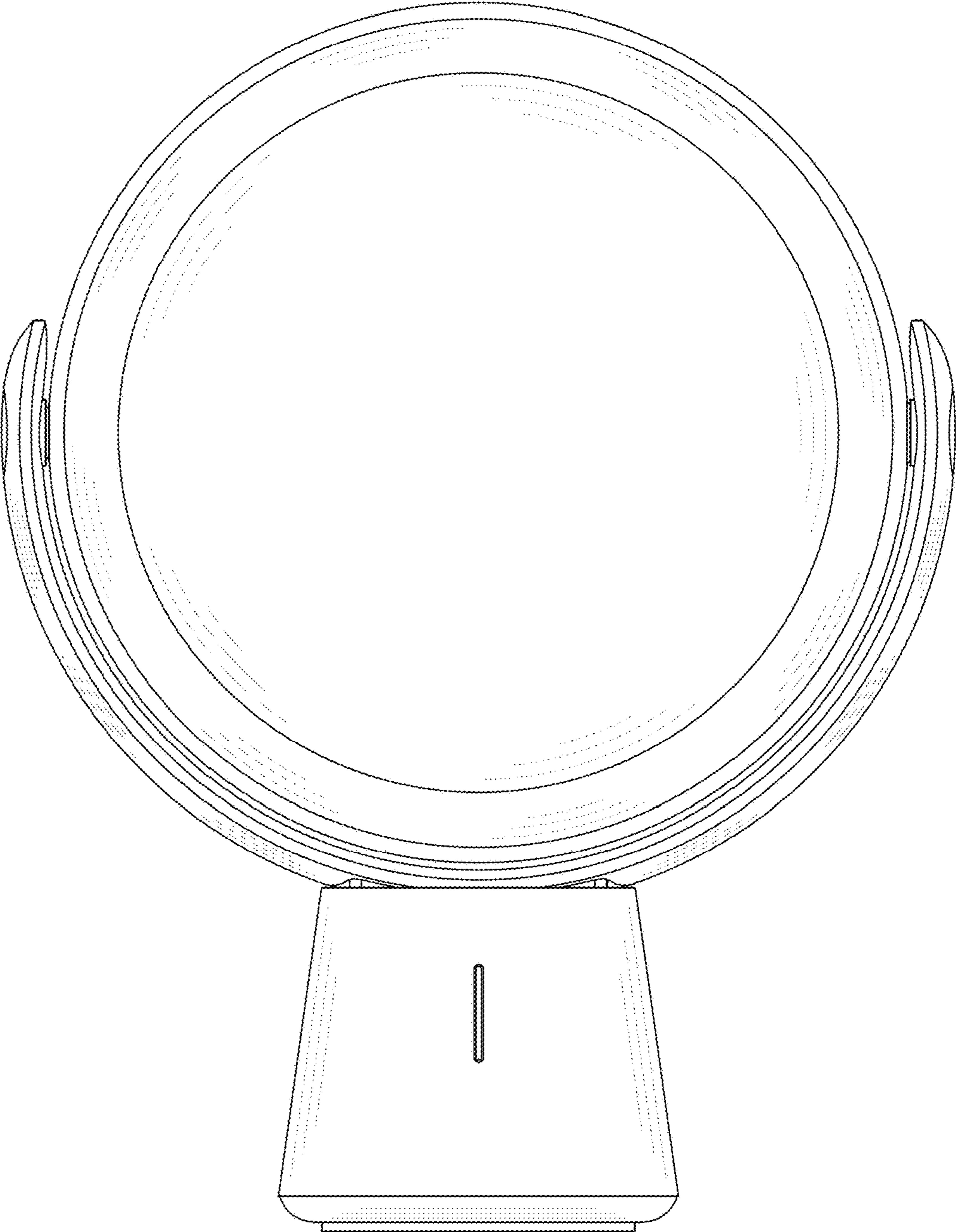


Fig. 1

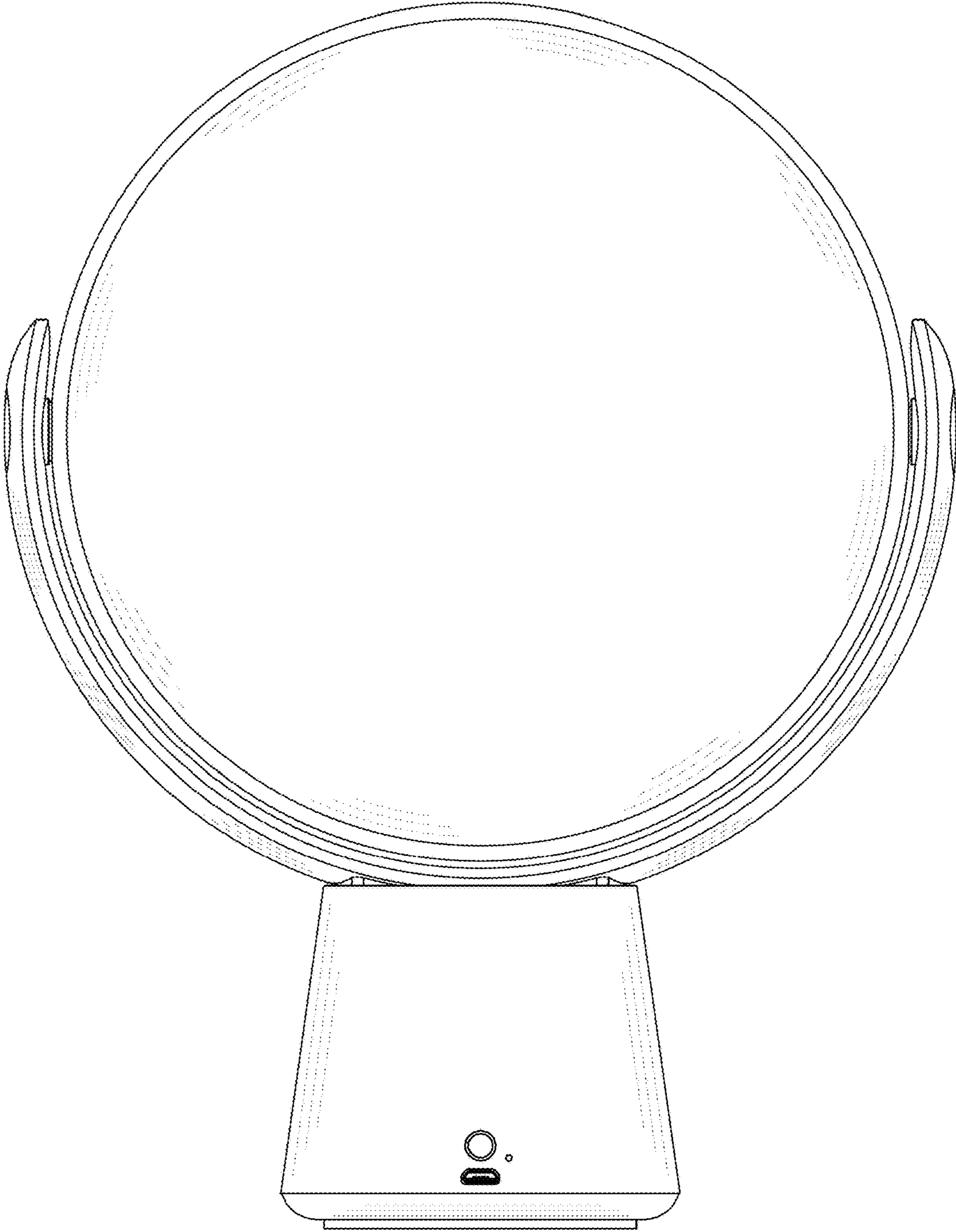


Fig. 2

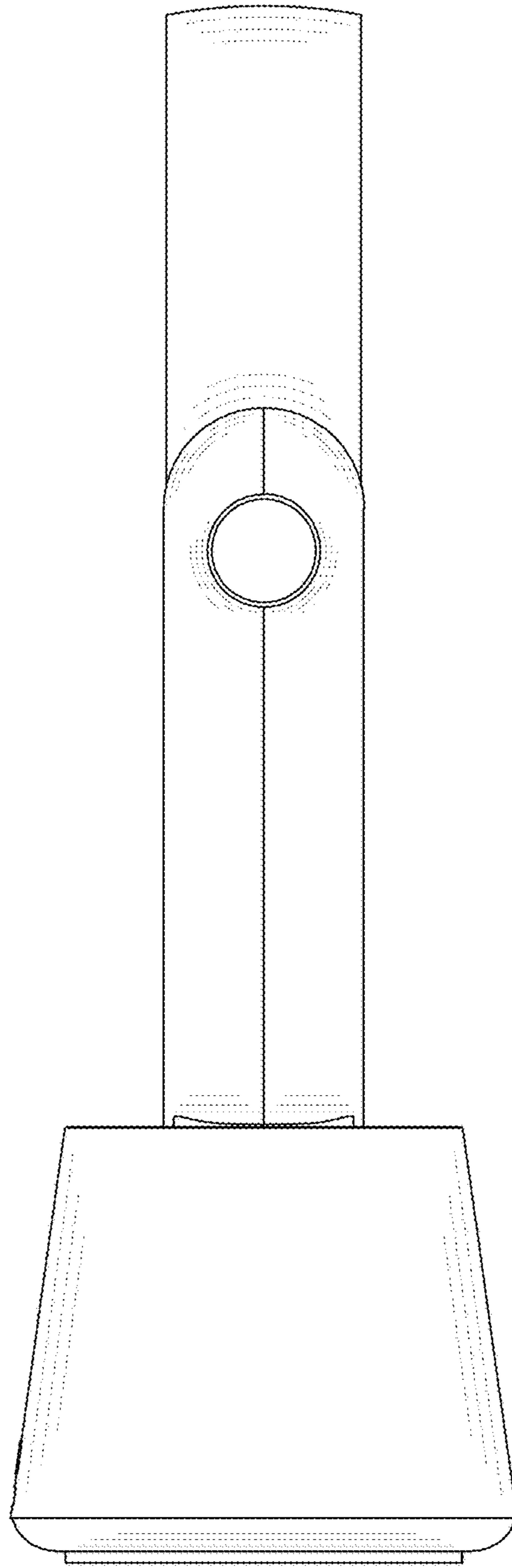


Fig. 3

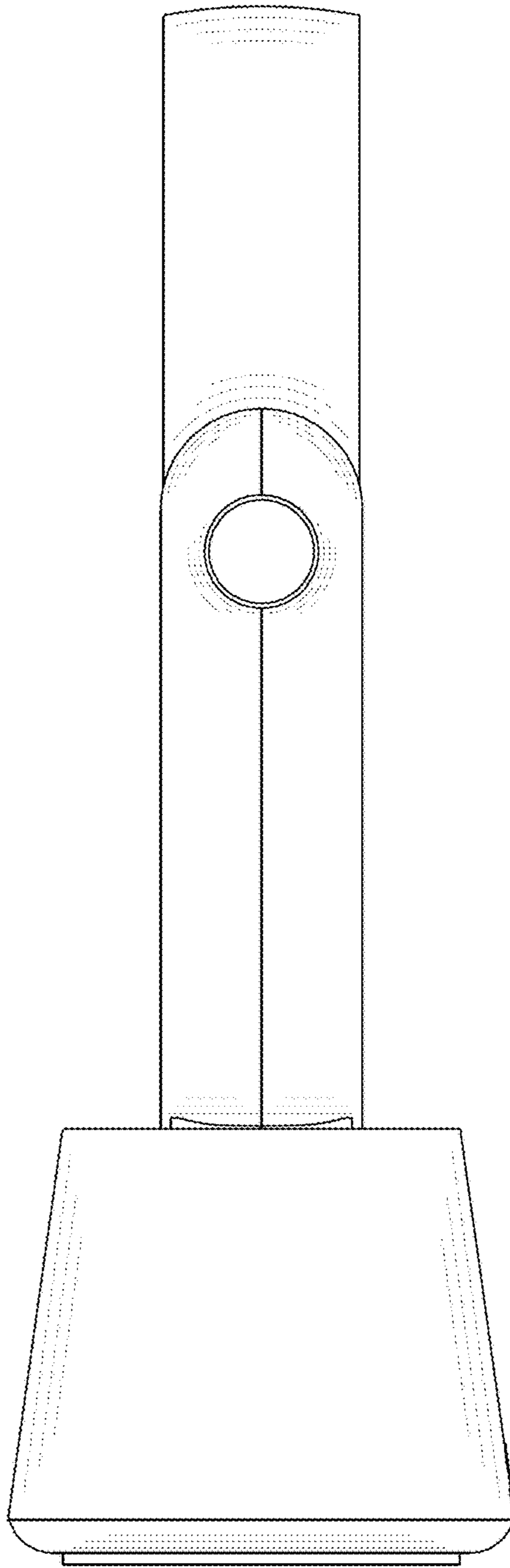


Fig. 4

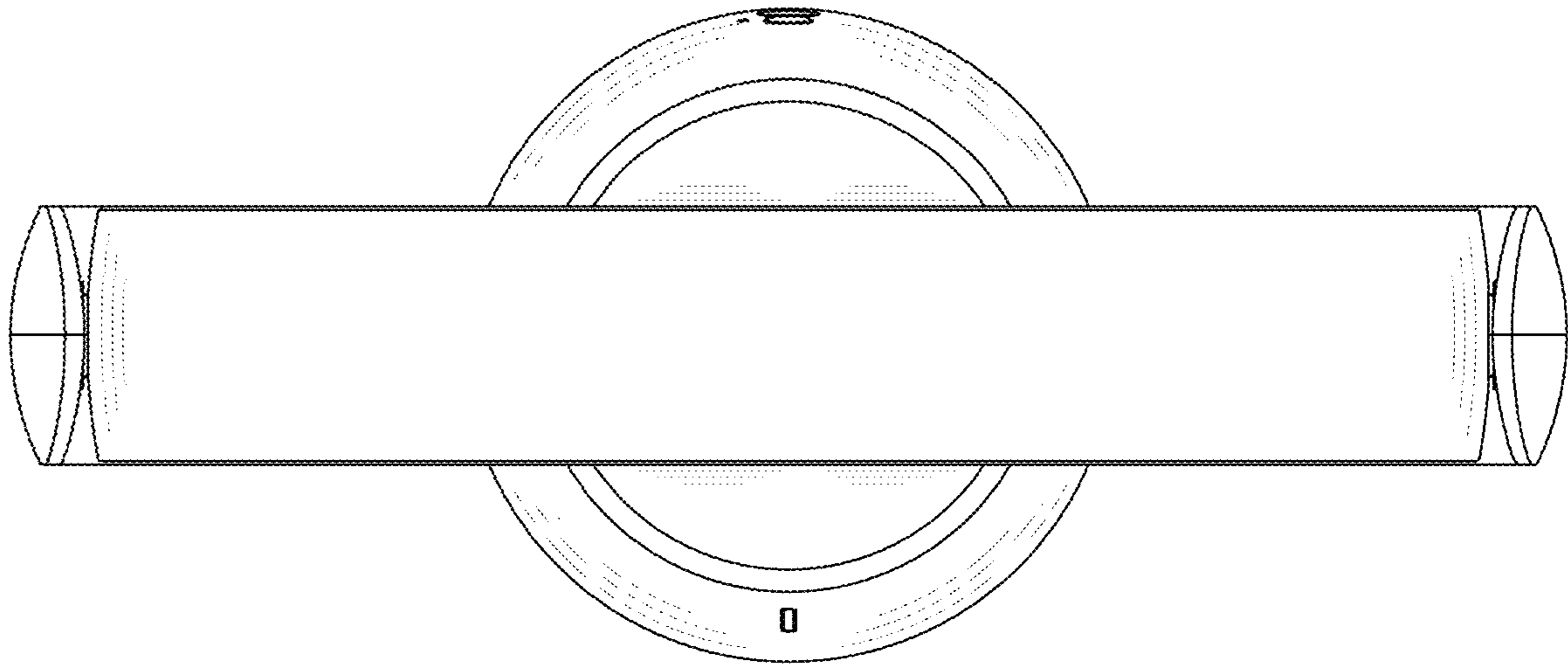


Fig. 5

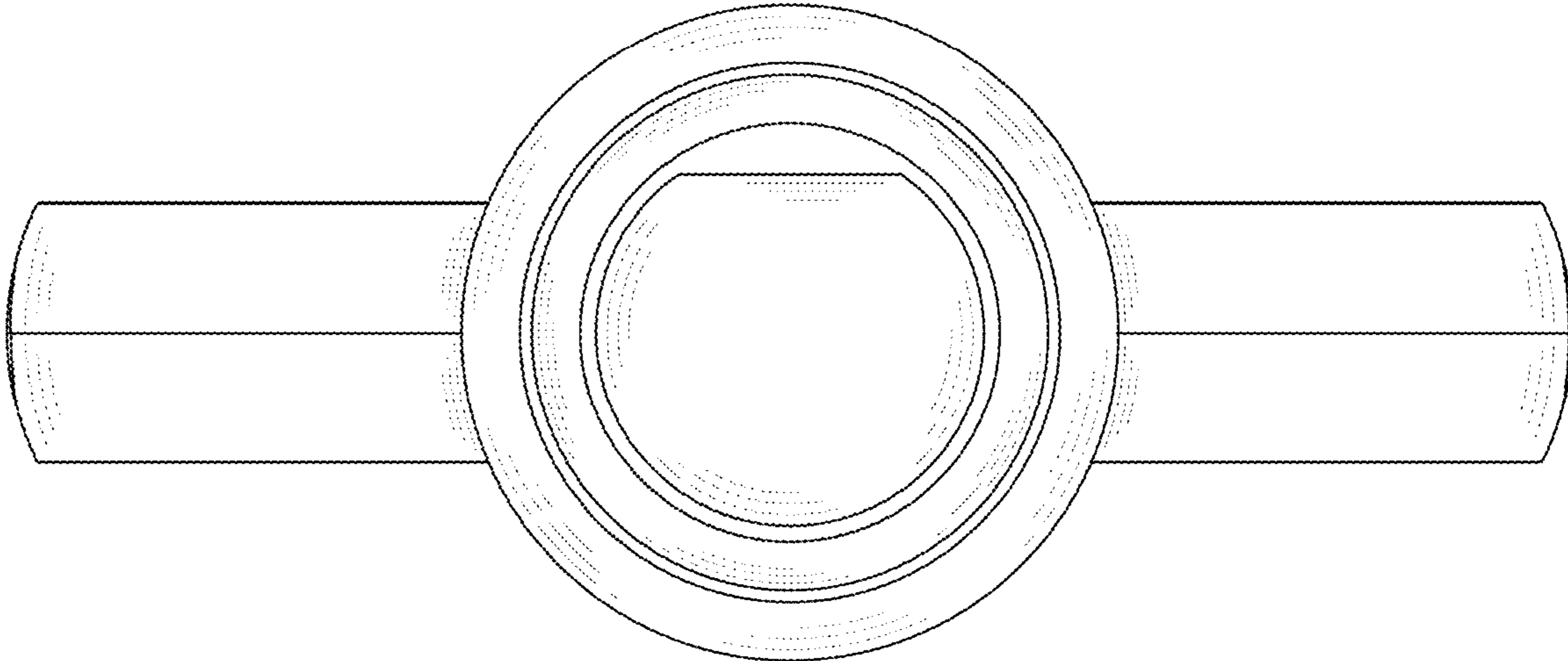


Fig. 6

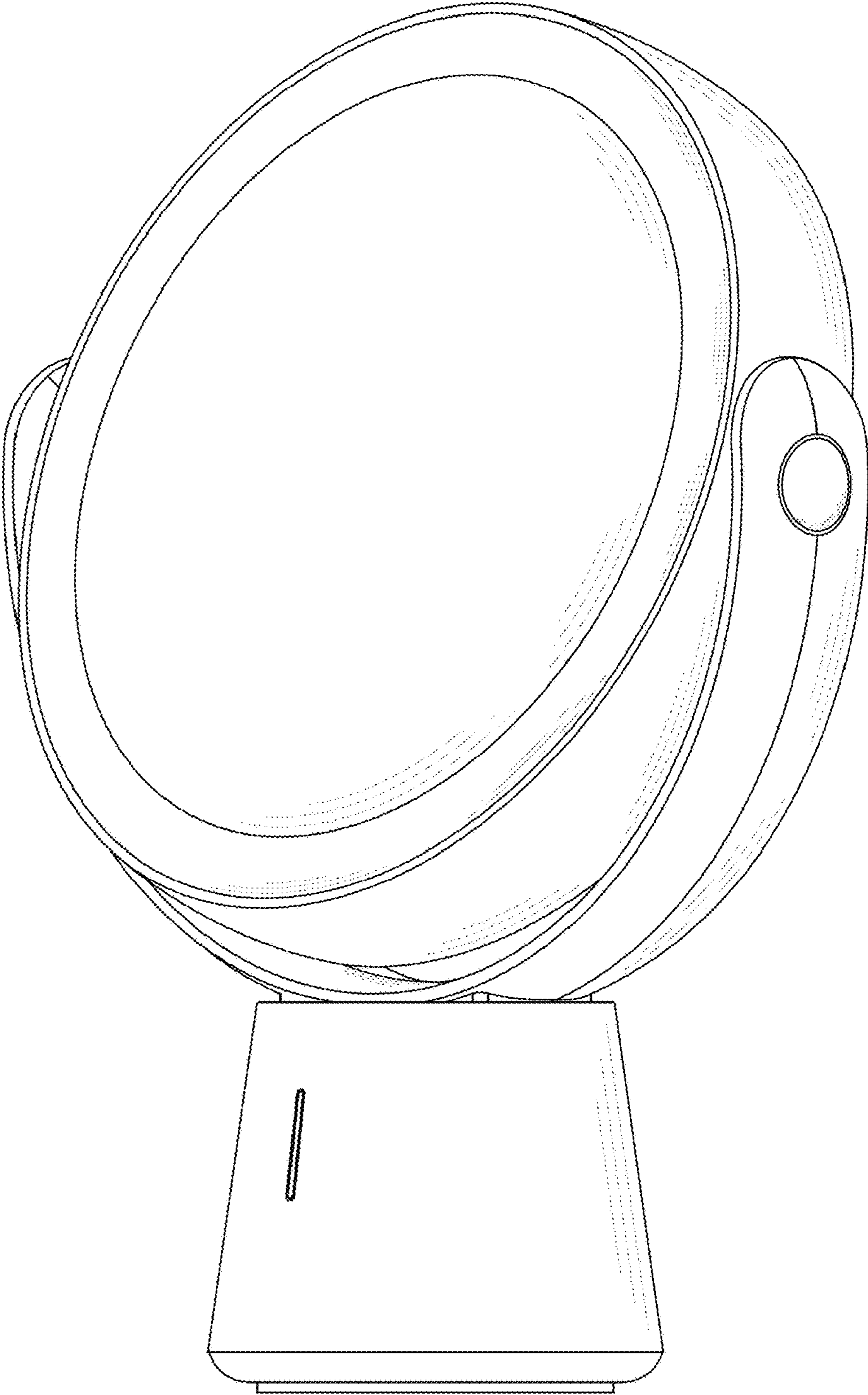


Fig. 7