



US00D905446S

(12) **United States Design Patent** (10) **Patent No.:** **US D905,446 S**  
**Yang** (45) **Date of Patent:** **\*\* \*Dec. 22, 2020**

(54) **MAKEUP MIRROR**  
(71) Applicant: **Dongguan Powerme Plastic Mfg. Co., Ltd.**, Dongguan (CN)  
(72) Inventor: **Guowei Yang**, Jiangmen (CN)  
(73) Assignee: **Dongguan Powerme Plastic Mfg. Co., Ltd.**, Dongguan (CN)  
(\* ) Notice: This patent is subject to a terminal disclaimer.

D639,077 S \* 6/2011 DeBretton Gordon ..... D6/310  
D658,899 S \* 5/2012 Zadro ..... D6/309  
D661,910 S \* 6/2012 Yang ..... D6/312  
D689,701 S \* 9/2013 Mischel, Jr. .... D6/309  
D751,829 S \* 3/2016 Yang ..... D6/309  
D754,446 S \* 4/2016 Yang ..... D6/310  
D841,342 S \* 2/2019 Melocchi ..... D6/309  
D848,931 S \* 5/2019 Yang ..... D12/416  
10,337,709 B1 \* 7/2019 Lo ..... A45D 42/16  
D865,375 S \* 11/2019 Yang ..... D6/310  
D870,645 S \* 12/2019 Yang ..... D12/416  
D872,488 S \* 1/2020 Choi ..... D6/309  
D873,034 S \* 1/2020 Boehm ..... D6/309  
D873,574 S \* 1/2020 Wei ..... D6/309

(\*\*) Term: **15 Years**

\* cited by examiner

(21) Appl. No.: **29/675,364**

*Primary Examiner* — Deanna L Pratt

(22) Filed: **Dec. 31, 2018**

(74) *Attorney, Agent, or Firm* — True Shepherd LLC;  
Andrew C. Cheng

(51) **LOC (12) Cl.** ..... **06-07**

(52) **U.S. Cl.**

USPC ..... **D6/310**

(58) **Field of Classification Search**

USPC ..... D6/300–314  
CPC ... A47G 1/00; A47G 1/02; A47G 1/06; A47G 1/0616; A47G 1/14; A47G 1/141; A45D 42/00; A45D 42/08; A45D 42/14; A45D 42/16; A45D 42/10

See application file for complete search history.

(56) **References Cited**

U.S. PATENT DOCUMENTS

D283,998 S \* 5/1986 Tanaka ..... D12/187  
D370,354 S \* 6/1996 Deakyne ..... D6/300  
D506,074 S \* 6/2005 Chen ..... D6/300

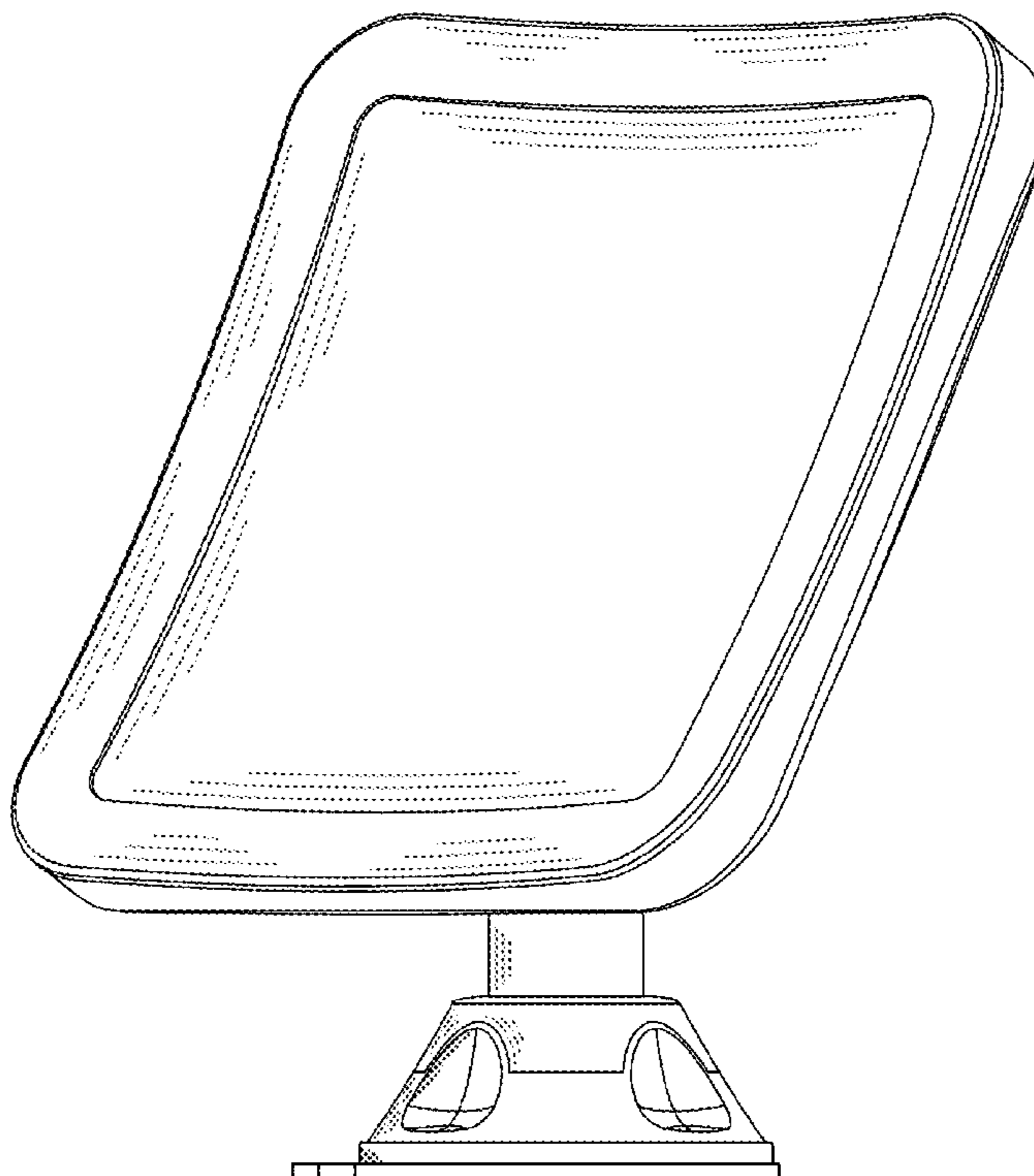
(57) **CLAIM**

The ornamental design for a makeup mirror, as shown and described.

**DESCRIPTION**

FIG. 1 is a Front elevational view of a makeup mirror showing my new design;  
FIG. 2 is a Rear elevational view thereof;  
FIG. 3 is a Left side view thereof;  
FIG. 4 is a Right side view thereof;  
FIG. 5 is a Top plan view thereof;  
FIG. 6 is a Bottom plan view thereof; and,  
FIG. 7 is a Perspective view thereof.

**1 Claim, 7 Drawing Sheets**



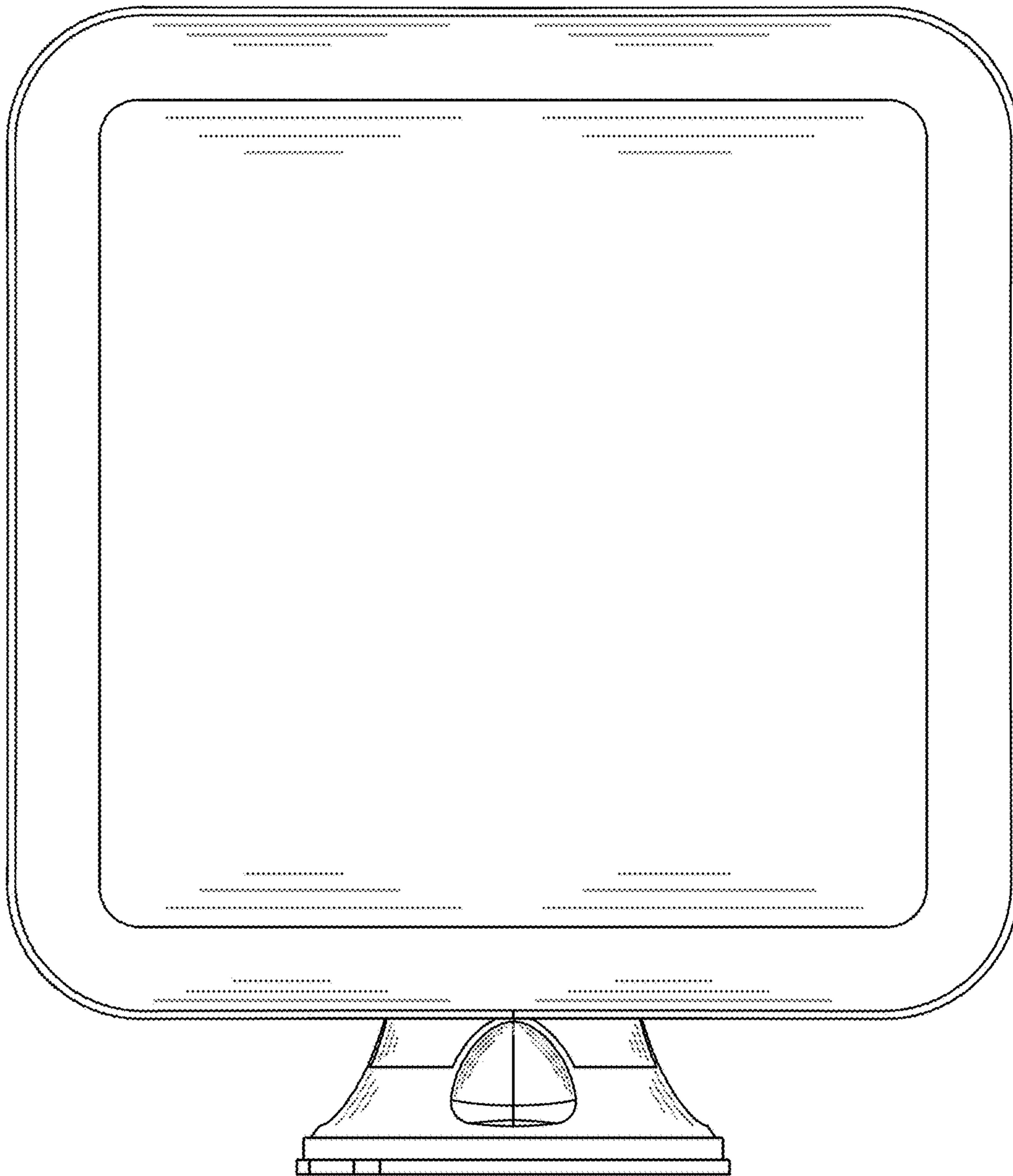


Fig. 1

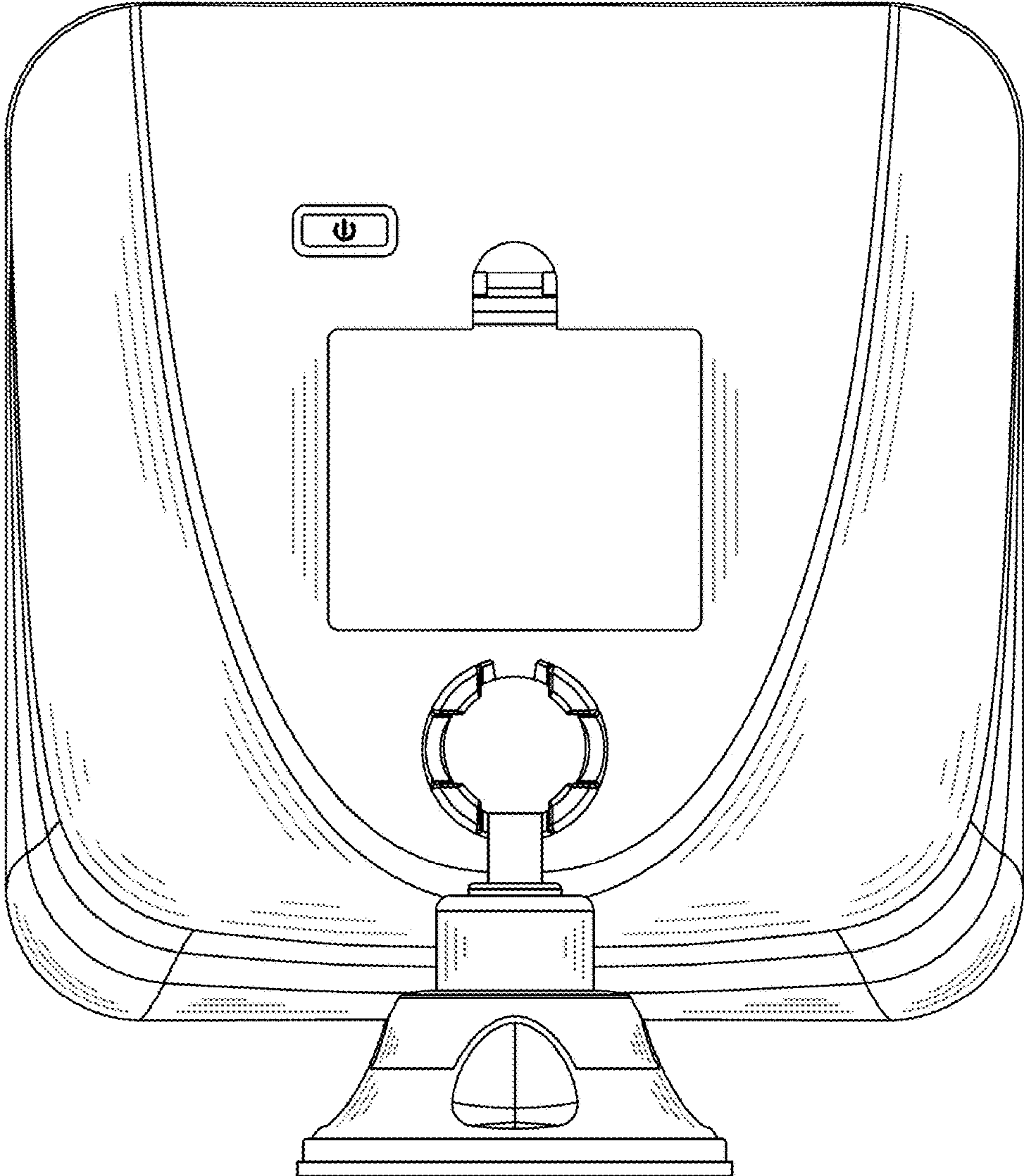


Fig. 2

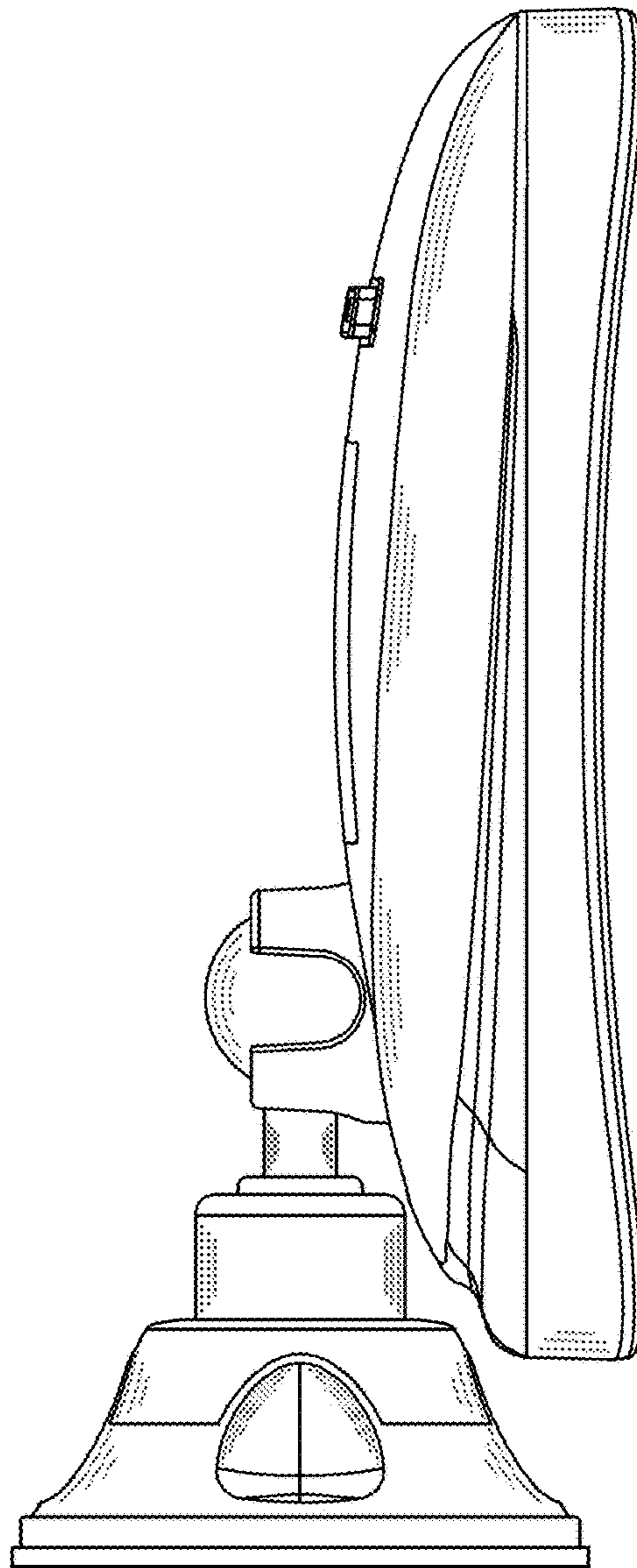


Fig. 3

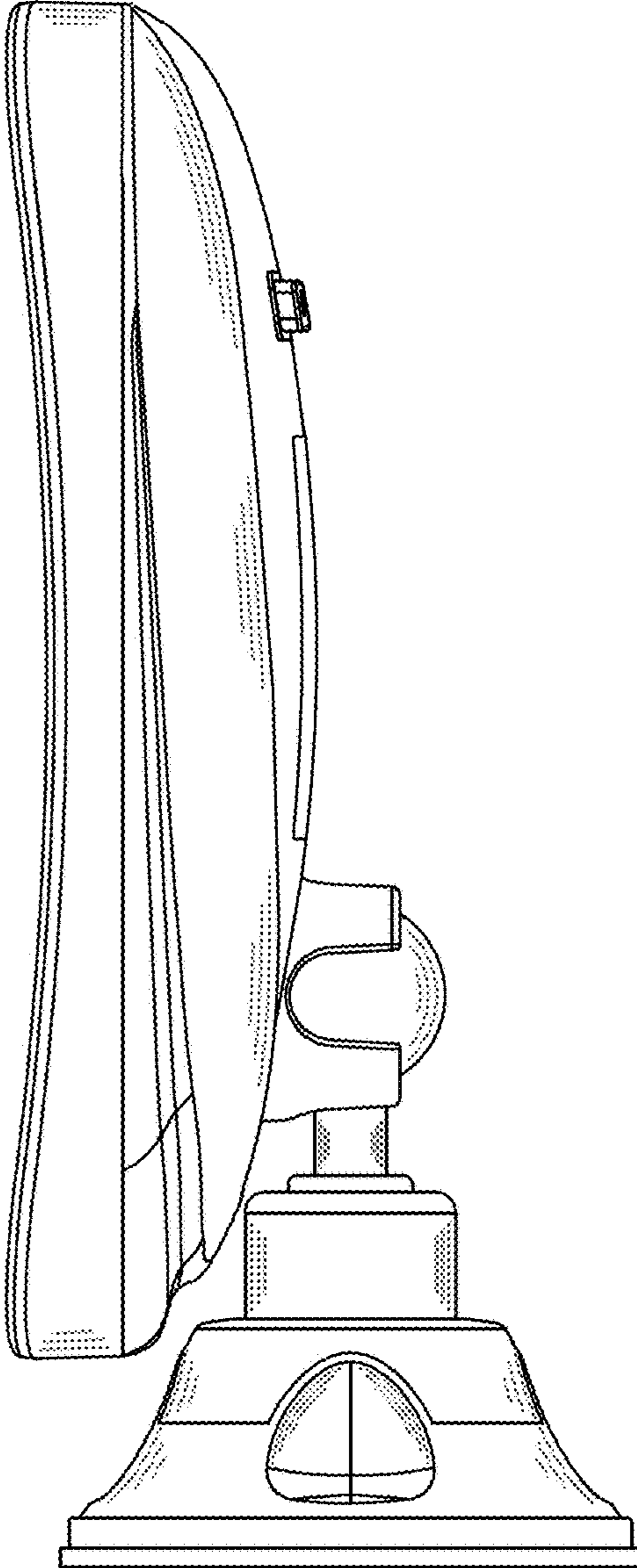


Fig. 4

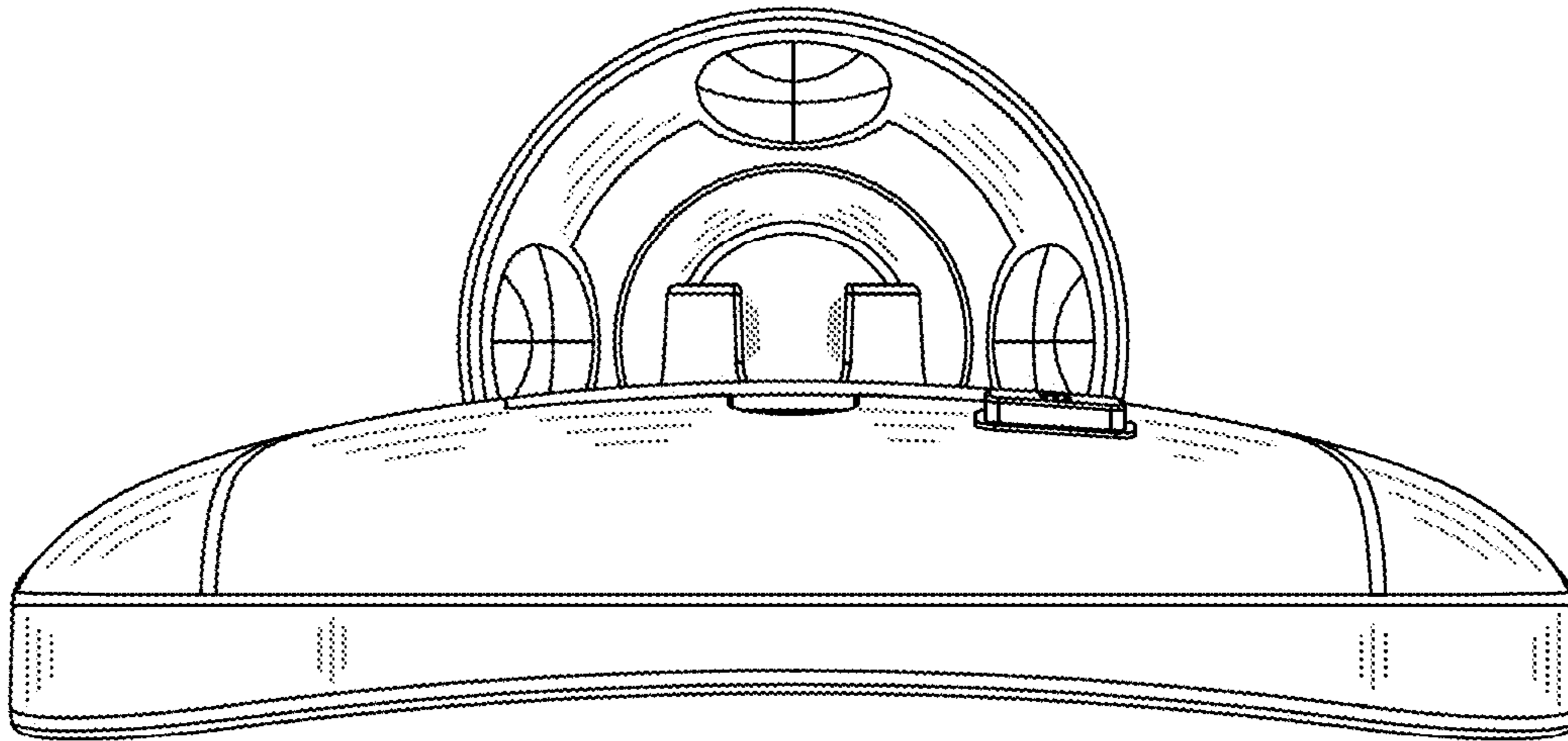


Fig. 5

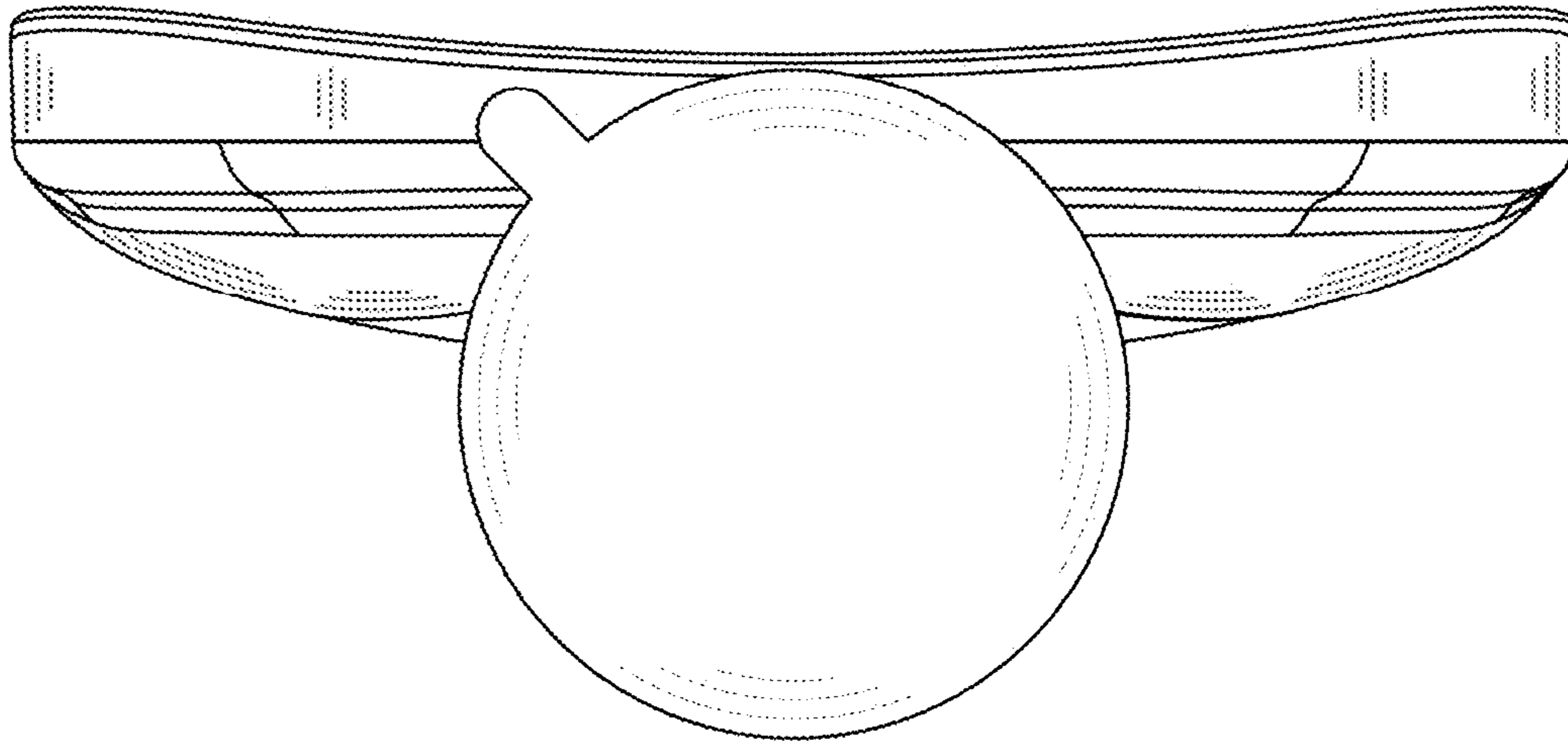


Fig. 6

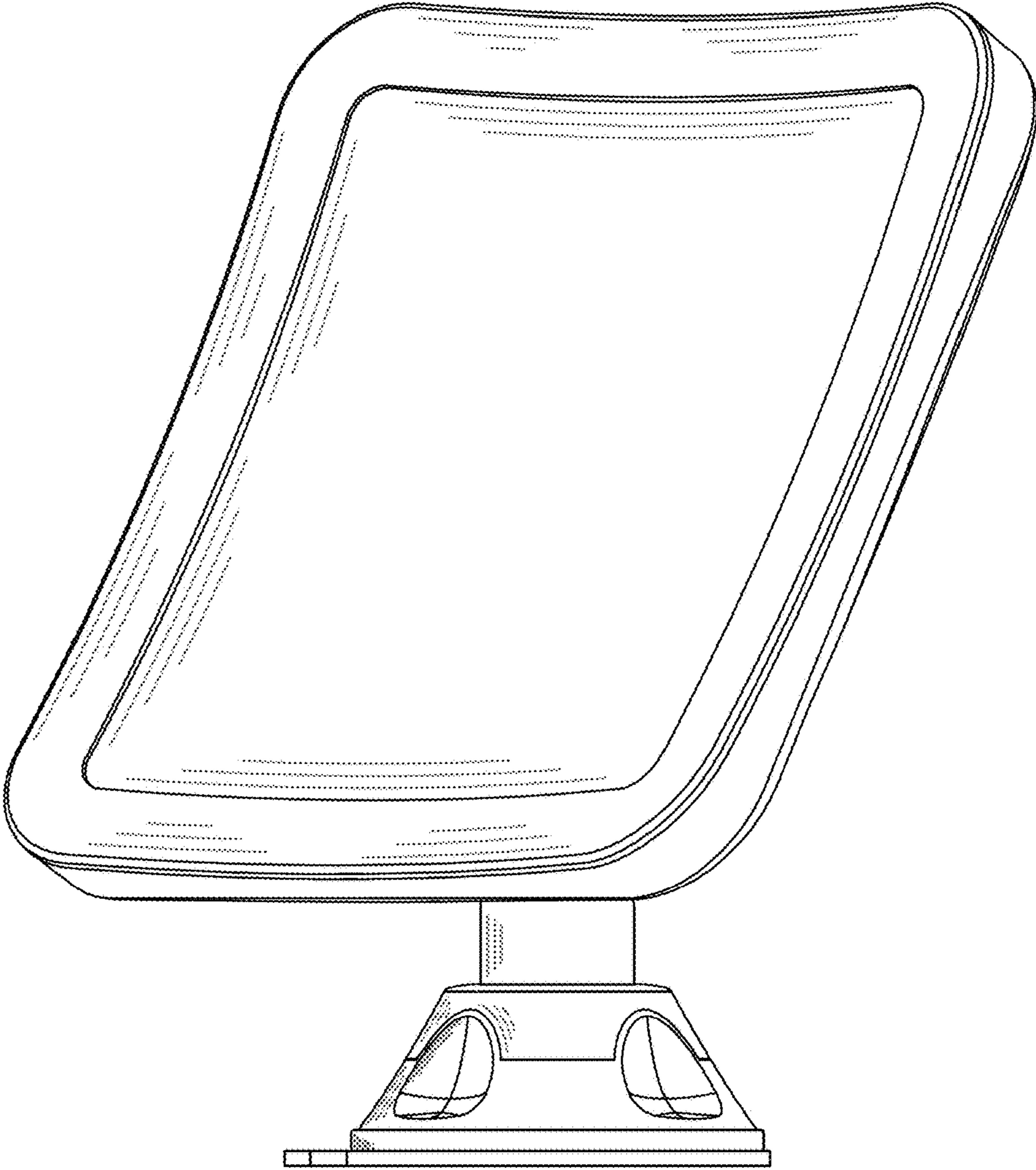


Fig. 7