



US00D905443S

(12) **United States Design Patent** (10) **Patent No.:** **US D905,443 S**
Yang (45) **Date of Patent:** **** *Dec. 22, 2020**

(54) **MAKEUP MIRROR**
(71) Applicant: **Dongguan Powerme Plastic Mfg. Co., Ltd., Guangdong (CN)**
(72) Inventor: **Guowei Yang, Jiangmen (CN)**
(73) Assignee: **Dongguan Powerme Plastic Mfg. Co., Ltd., Dongguan (CN)**
(*) Notice: This patent is subject to a terminal disclaimer.
(**) Term: **15 Years**
(21) Appl. No.: **29/675,342**
(22) Filed: **Dec. 31, 2018**

(30) **Foreign Application Priority Data**
Nov. 10, 2018 (CN) 2018 3 0635961
(51) **LOC (12) Cl.** **06-07**
(52) **U.S. Cl.**
USPC **D6/310**
(58) **Field of Classification Search**
USPC D6/300-314
CPC ... A47G 1/00; A47G 1/02; A47G 1/06; A47G 1/0616; A47G 1/14; A47G 1/141; A45D 42/00; A45D 42/08; A45D 42/14; A45D 42/16; A45D 42/10
See application file for complete search history.

(56) **References Cited**
U.S. PATENT DOCUMENTS
D173,245 S * 10/1954 Sorensen D6/306
D370,354 S * 6/1996 Deakyne D6/300

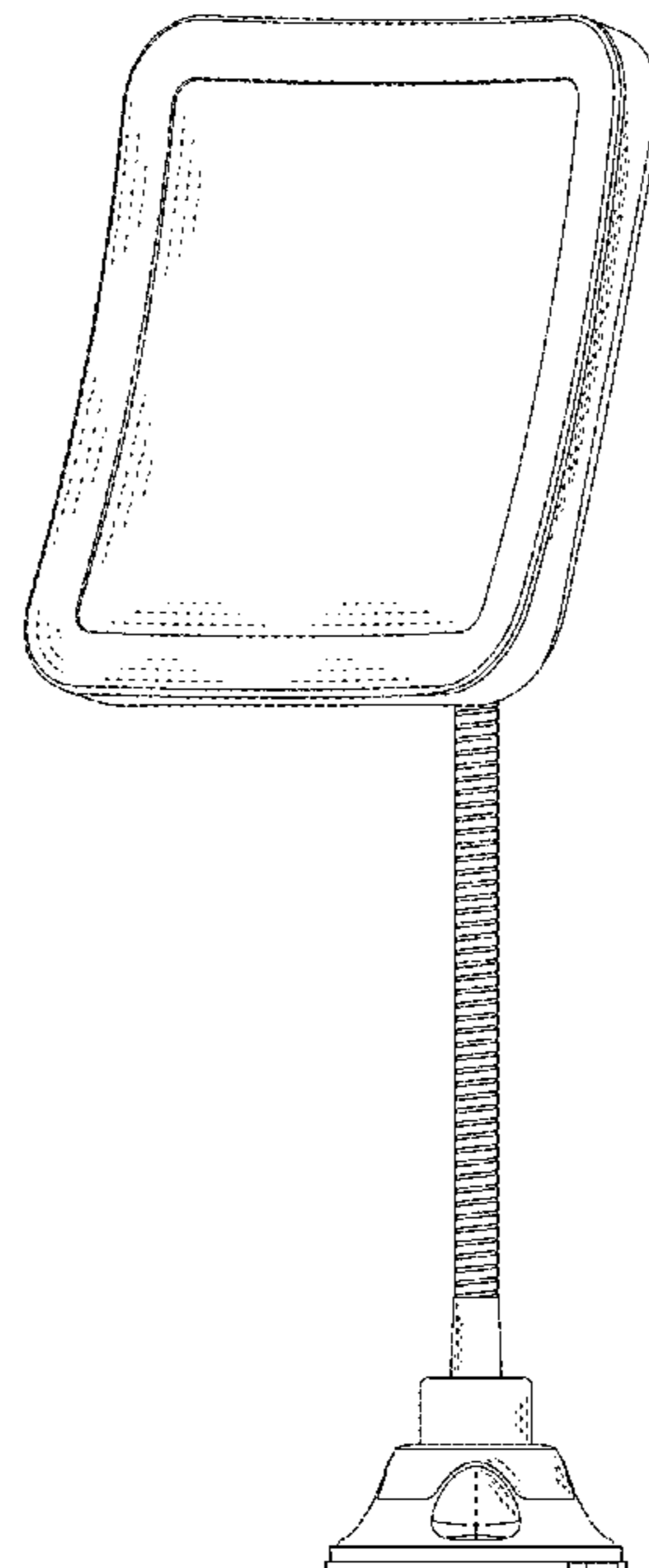
5,566,030 A * 10/1996 Yue A45D 42/00 248/467
D438,389 S * 3/2001 Ross D6/312
D506,074 S * 6/2005 Chen D6/300
D547,555 S * 7/2007 Lo D6/312
D563,679 S * 3/2008 Vidmar D6/309
D639,077 S * 6/2011 DeBretton Gordon D6/310
D658,899 S * 5/2012 Zadro D6/309
D661,910 S * 6/2012 Yang D6/312
D751,829 S * 3/2016 Yang D6/309
D754,446 S * 4/2016 Yang D6/310
D841,342 S * 2/2019 Melocchi D6/309
D848,931 S * 5/2019 Yang D12/416
D865,375 S * 11/2019 Yang D6/310
D870,645 S * 12/2019 Yang D12/416
D872,488 S * 1/2020 Choi D6/309
D873,574 S * 1/2020 Wei D6/309
D879,484 S * 3/2020 Jiao D6/312
D888,438 S * 6/2020 Jiao D6/312

* cited by examiner
Primary Examiner — Deanna L Pratt
(74) *Attorney, Agent, or Firm* — True Shepherd LLC; Andrew C. Cheng

(57) **CLAIM**
The ornamental design for a makeup mirror, as shown and described.

DESCRIPTION
FIG. 1 is a front elevational view of a makeup mirror showing my new design;
FIG. 2 is a Rear elevational view thereof;
FIG. 3 is a Left side view thereof;
FIG. 4 is a Right side view thereof;
FIG. 5 is a Top plan view thereof;
FIG. 6 is a Bottom plan view thereof; and,
FIG. 7 is a Perspective view thereof.

1 Claim, 7 Drawing Sheets



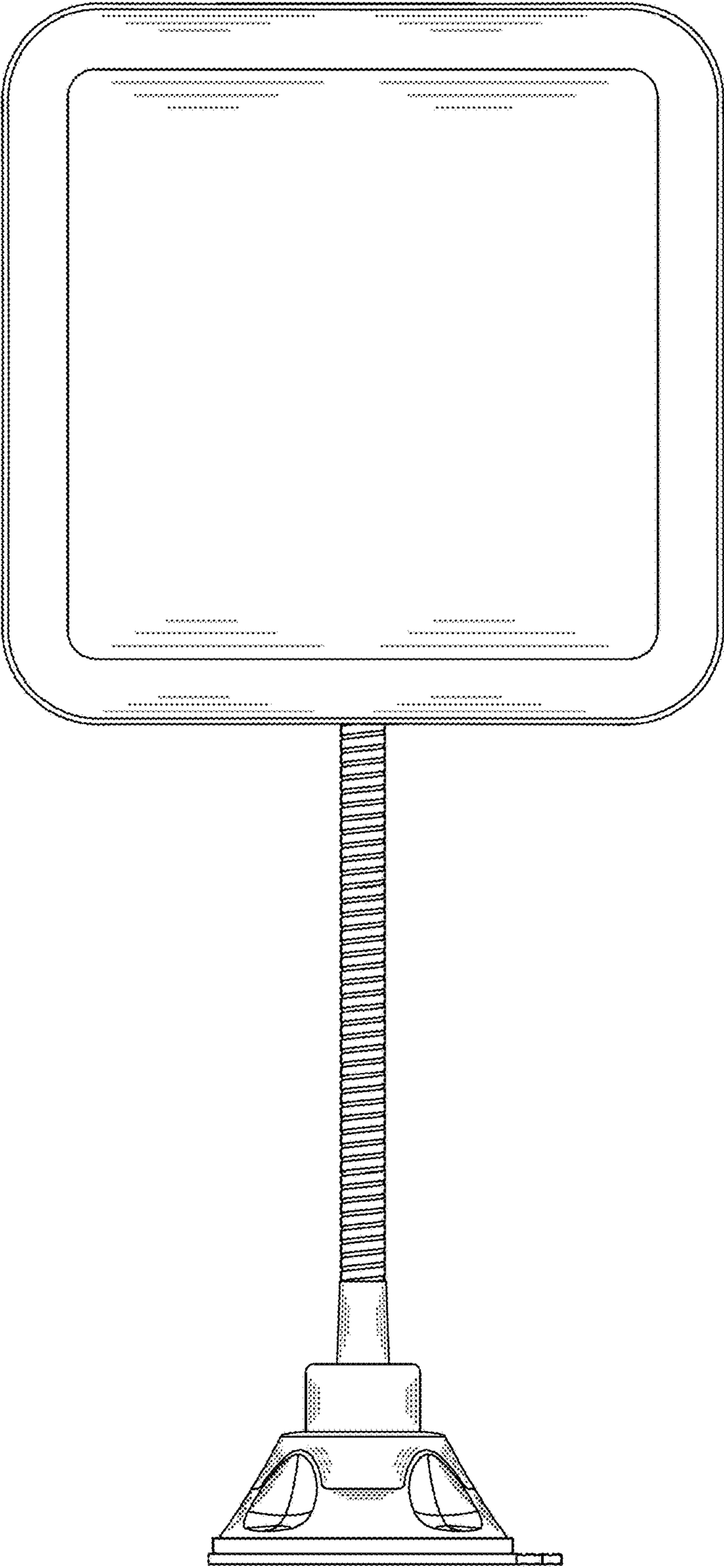


Fig. 1

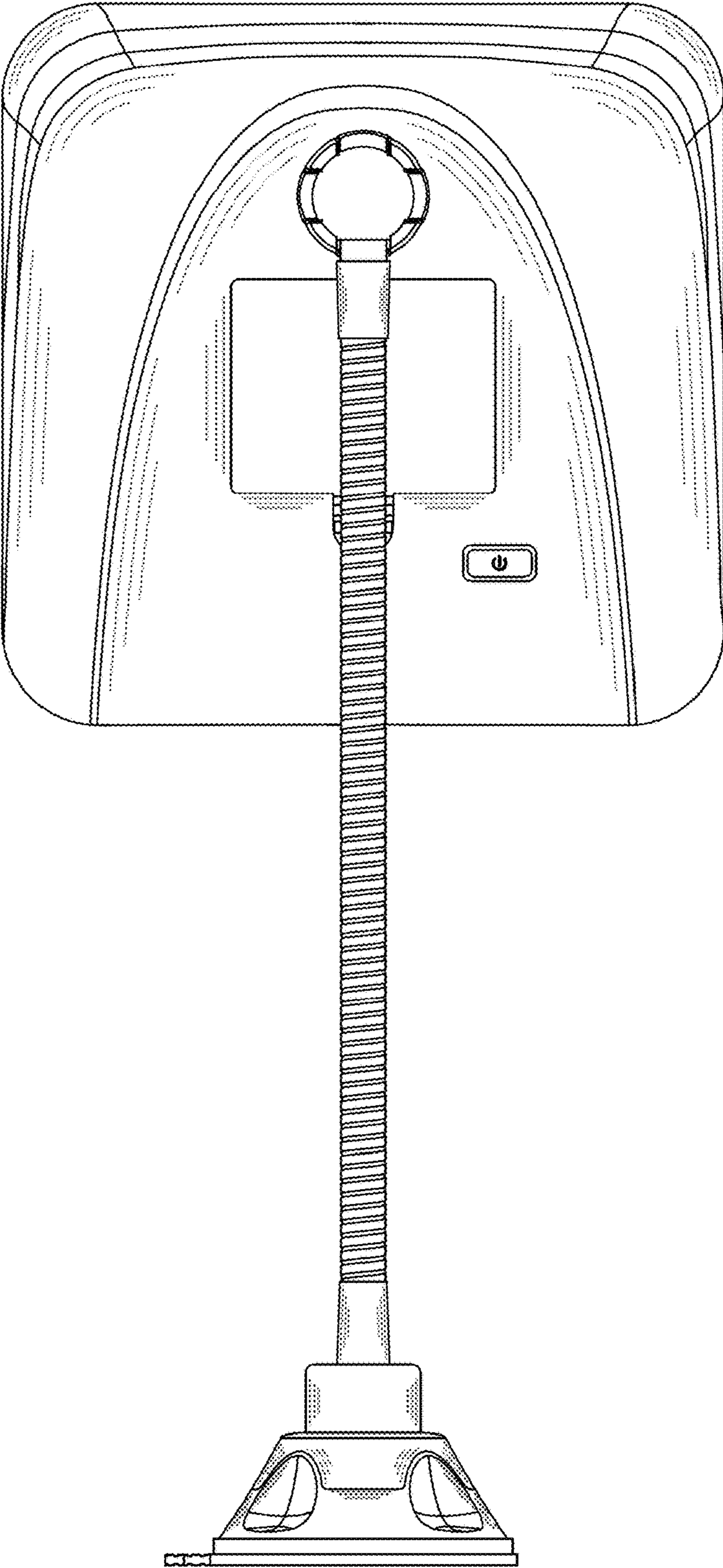


Fig. 2

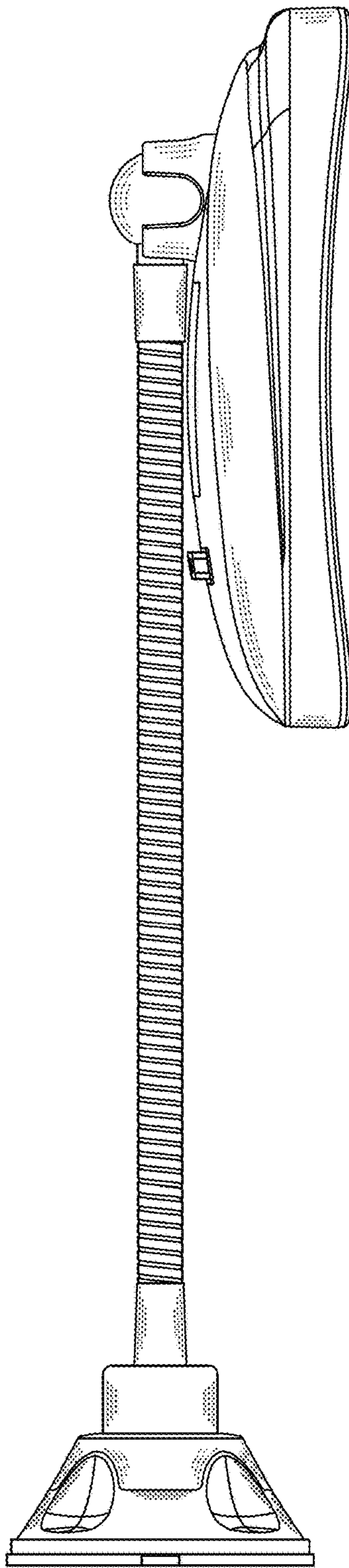


Fig. 3

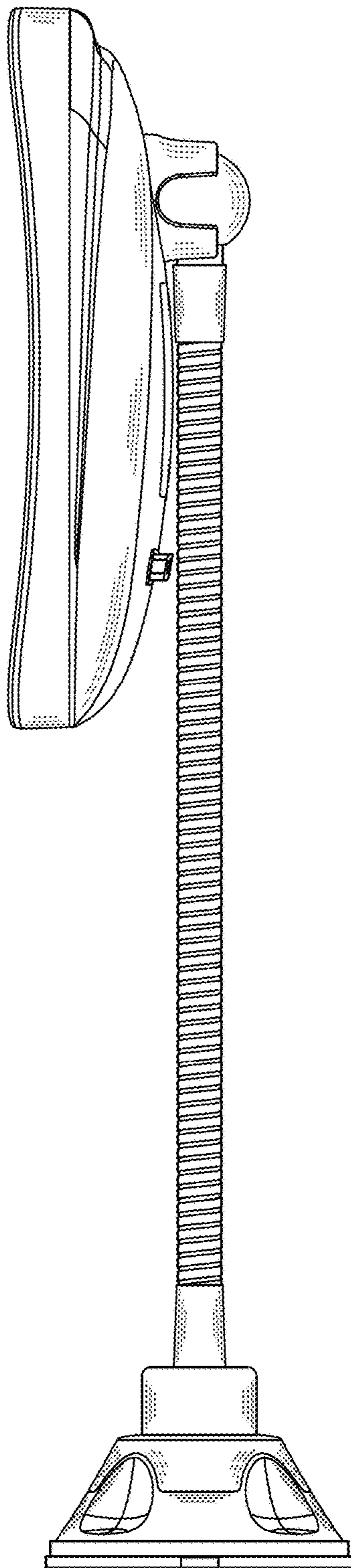


Fig. 4

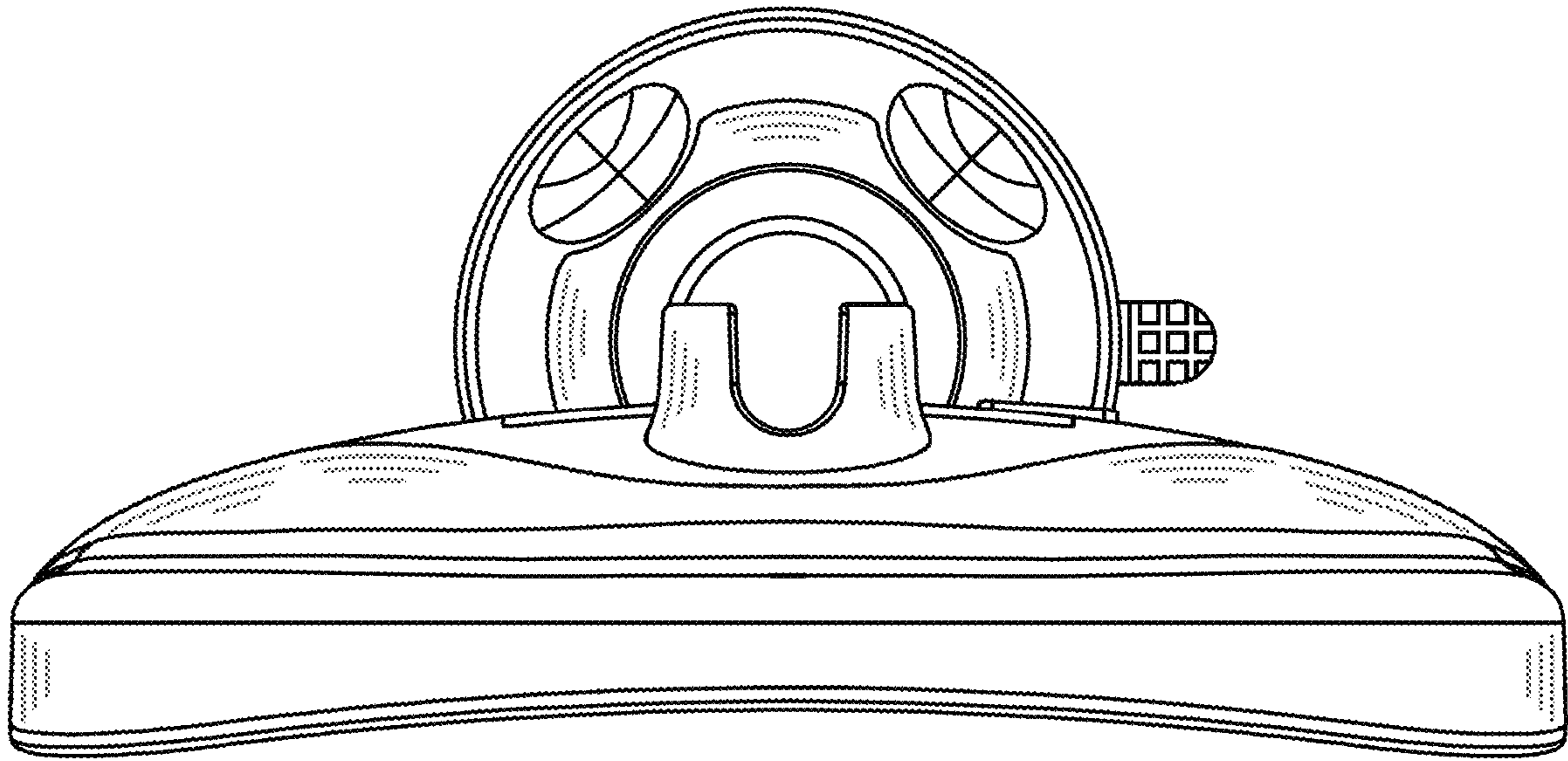


Fig. 5

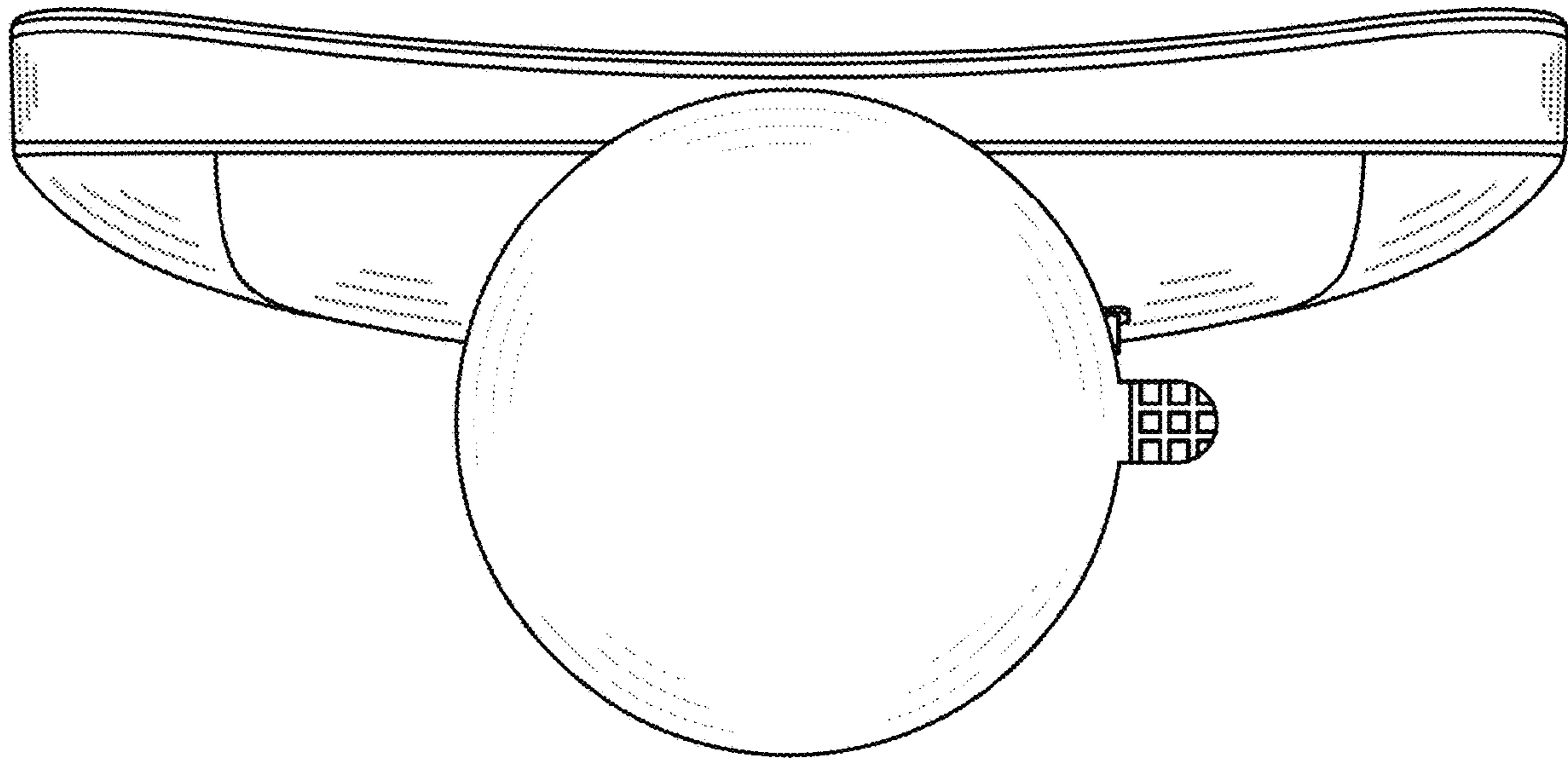


Fig. 6

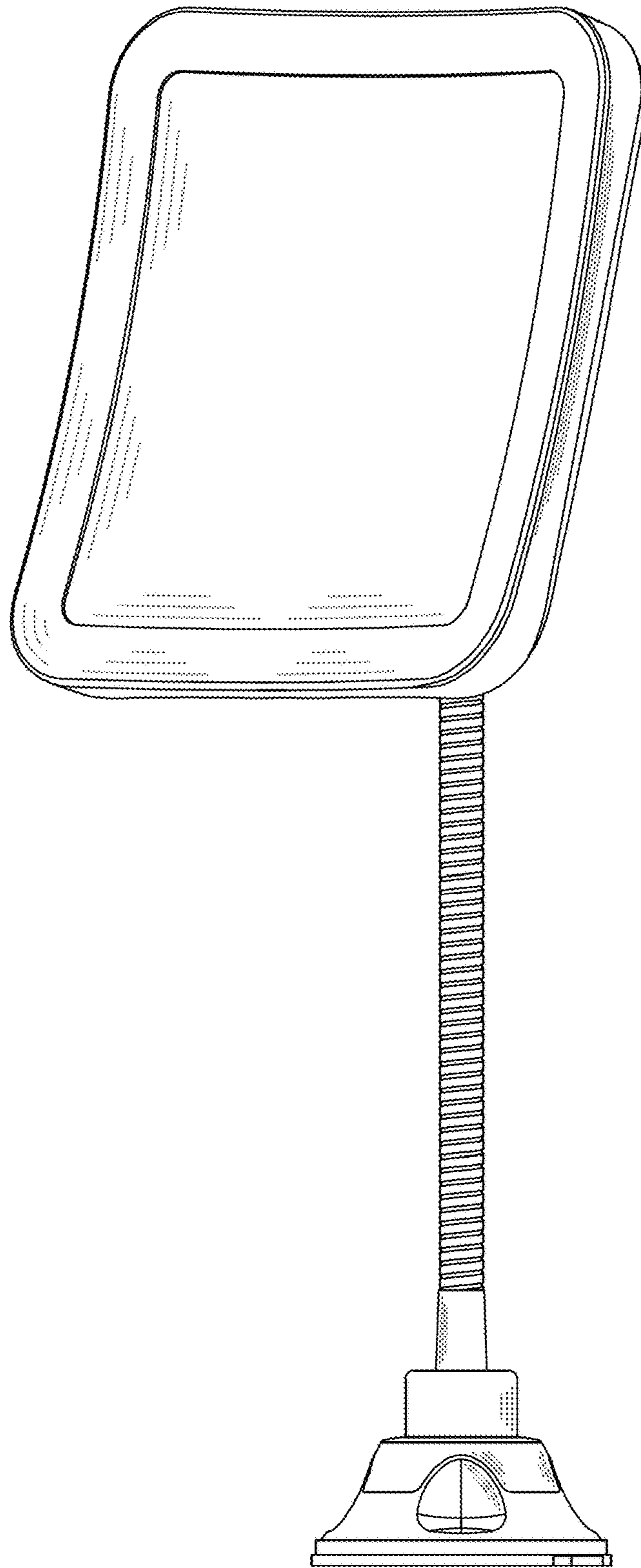


Fig. 7