



US00D905442S

(12) **United States Design Patent**  
**Yang**

(10) **Patent No.:** **US D905,442 S**  
(45) **Date of Patent:** **\*\* Dec. 22, 2020**

(54) **MAKEUP MIRROR**  
(71) Applicant: **Dongguan Powerme Plastic Mfg. Co., Ltd.**, Guangdong (CN)  
(72) Inventor: **Guowei Yang**, Jiangmen (CN)  
(73) Assignee: **Dongguan Powerme Plastic Mfg. Co., Ltd.**, Dongguan (CN)  
(\*\*) Term: **15 Years**  
(21) Appl. No.: **29/675,339**  
(22) Filed: **Dec. 31, 2018**

D701,050 S \* 3/2014 Yang ..... D6/309  
D736,001 S \* 8/2015 Yang ..... D6/309  
D846,288 S \* 4/2019 Yang ..... D6/309  
10,337,709 B1 \* 7/2019 Lo ..... A45D 42/16  
D879,481 S \* 3/2020 Yang ..... D6/309  
D882,280 S \* 4/2020 Yang ..... D6/309  
D885,769 S \* 6/2020 Wang ..... D6/309

\* cited by examiner

*Primary Examiner* — Deanna L Pratt

(74) *Attorney, Agent, or Firm* — True Shepherd LLC;  
Andrew C. Cheng

(30) **Foreign Application Priority Data**

Nov. 10, 2018 (CN) ..... 2018 3 0635957

(51) **LOC (12) Cl.** ..... **06-07**

(52) **U.S. Cl.**  
USPC ..... **D6/310**

(58) **Field of Classification Search**  
USPC ..... D6/300–314  
CPC ... A47G 1/00; A47G 1/02; A47G 1/06; A47G 1/0616; A47G 1/14; A47G 1/141; A45D 42/00; A45D 42/08; A45D 42/14; A45D 42/16; A45D 42/10  
See application file for complete search history.

(56) **References Cited**

**U.S. PATENT DOCUMENTS**

D547,555 S \* 7/2007 Lo ..... D6/312  
D699,952 S \* 2/2014 Yang ..... D6/309

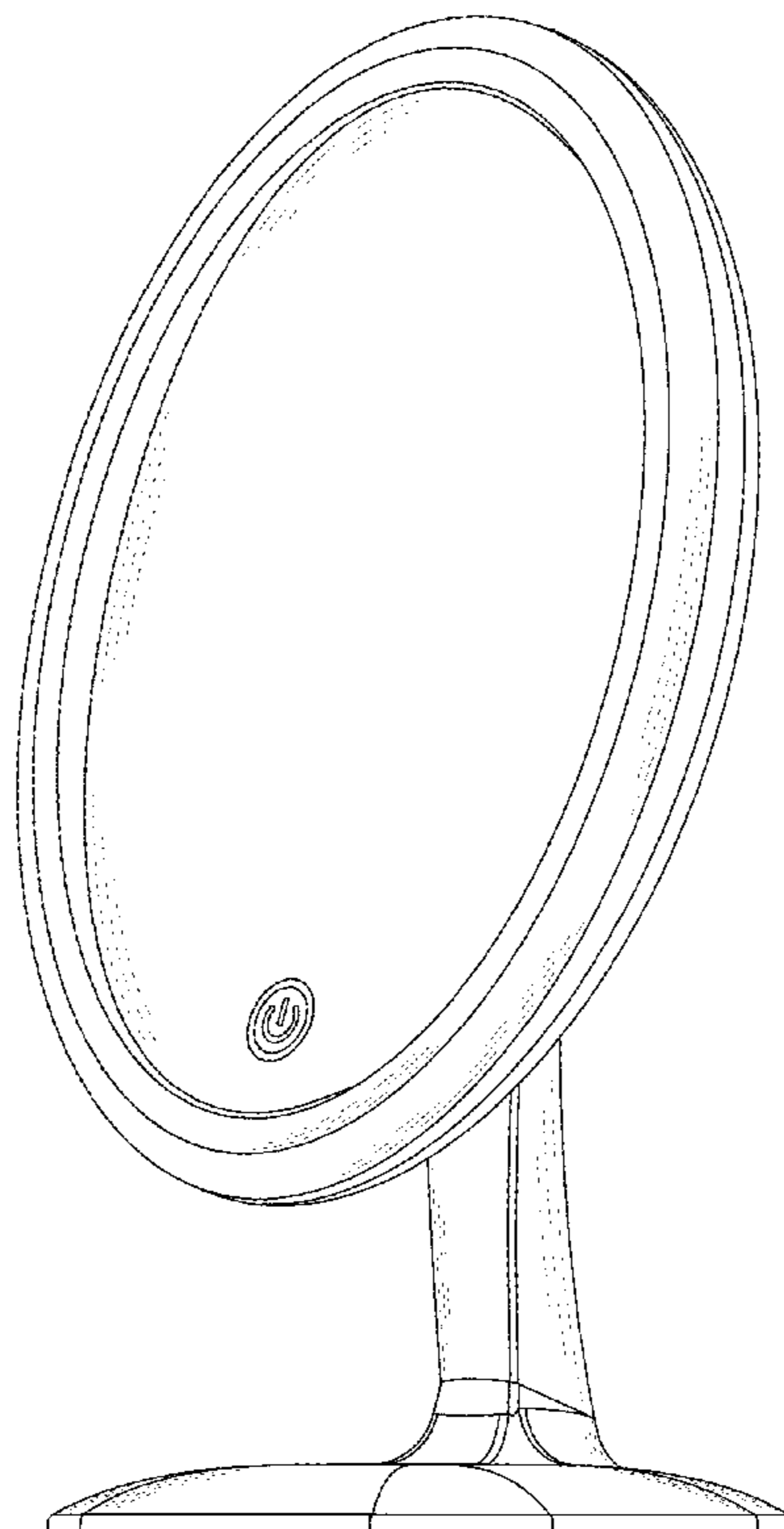
(57) **CLAIM**

The ornamental design for a makeup mirror, as shown and described.

**DESCRIPTION**

FIG. 1 is a front elevational view of a makeup mirror showing my new design;  
FIG. 2 is a Rear elevational view thereof;  
FIG. 3 is a Left side view thereof;  
FIG. 4 is a Right side view thereof;  
FIG. 5 is a Top plan view thereof;  
FIG. 6 is a Bottom plan view thereof; and,  
FIG. 7 is a Perspective view thereof.

**1 Claim, 7 Drawing Sheets**



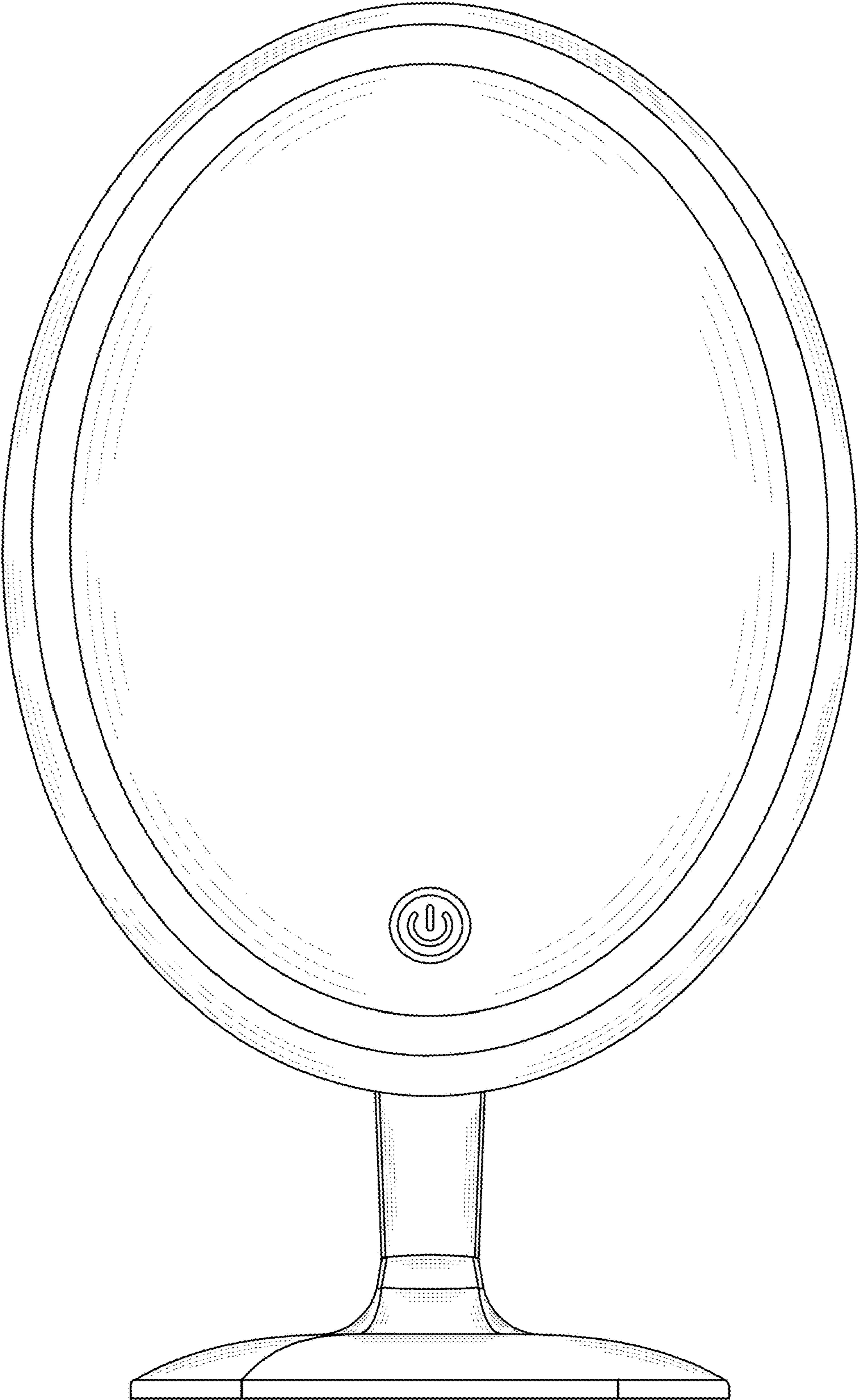


Fig. 1

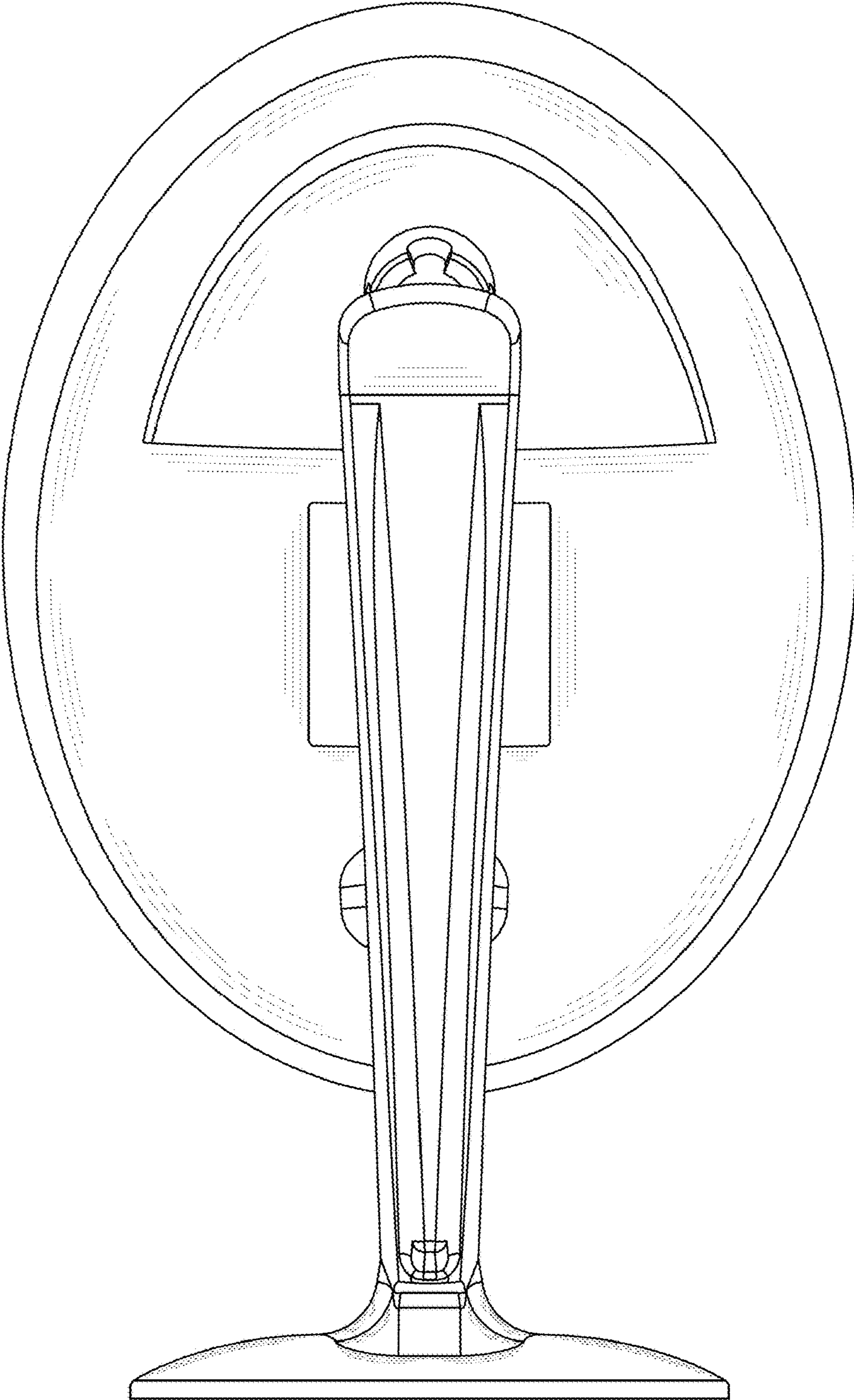


Fig. 2

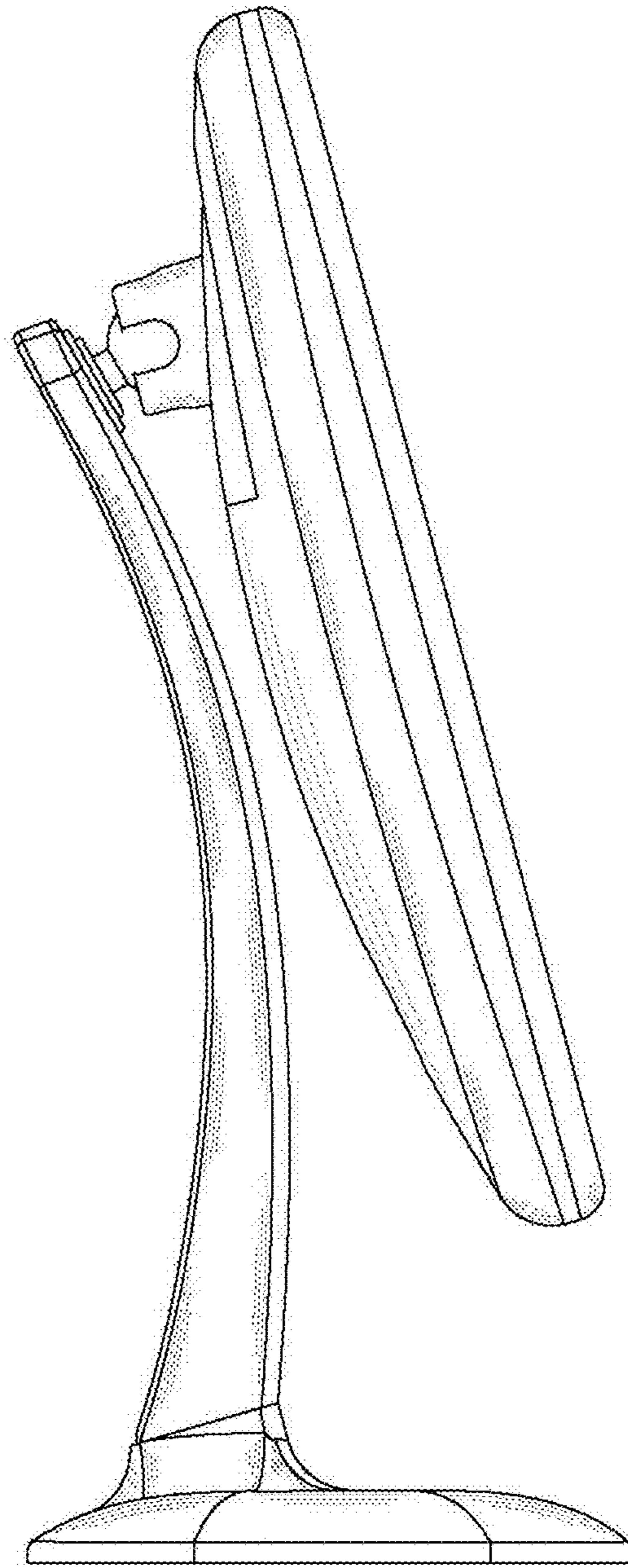


Fig. 3



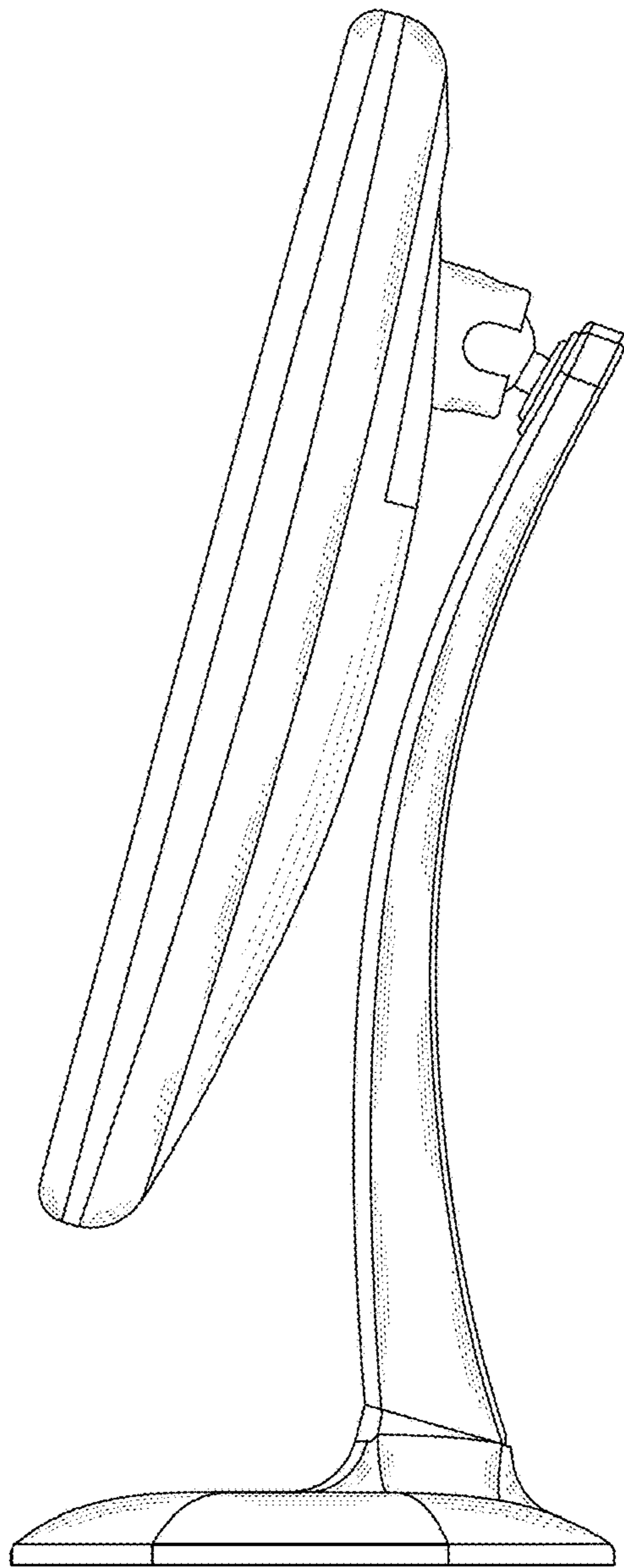


Fig. 4

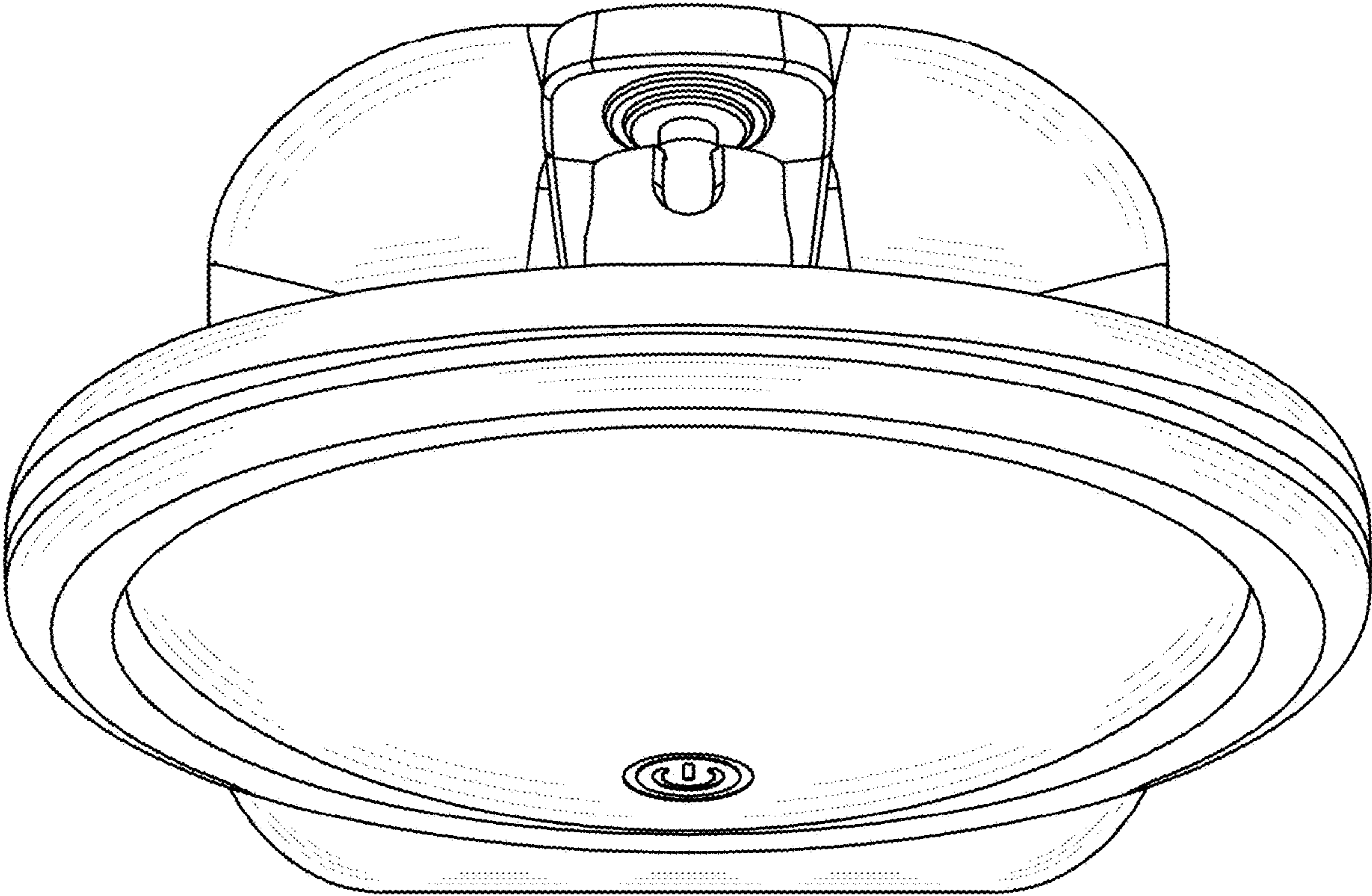


Fig. 5

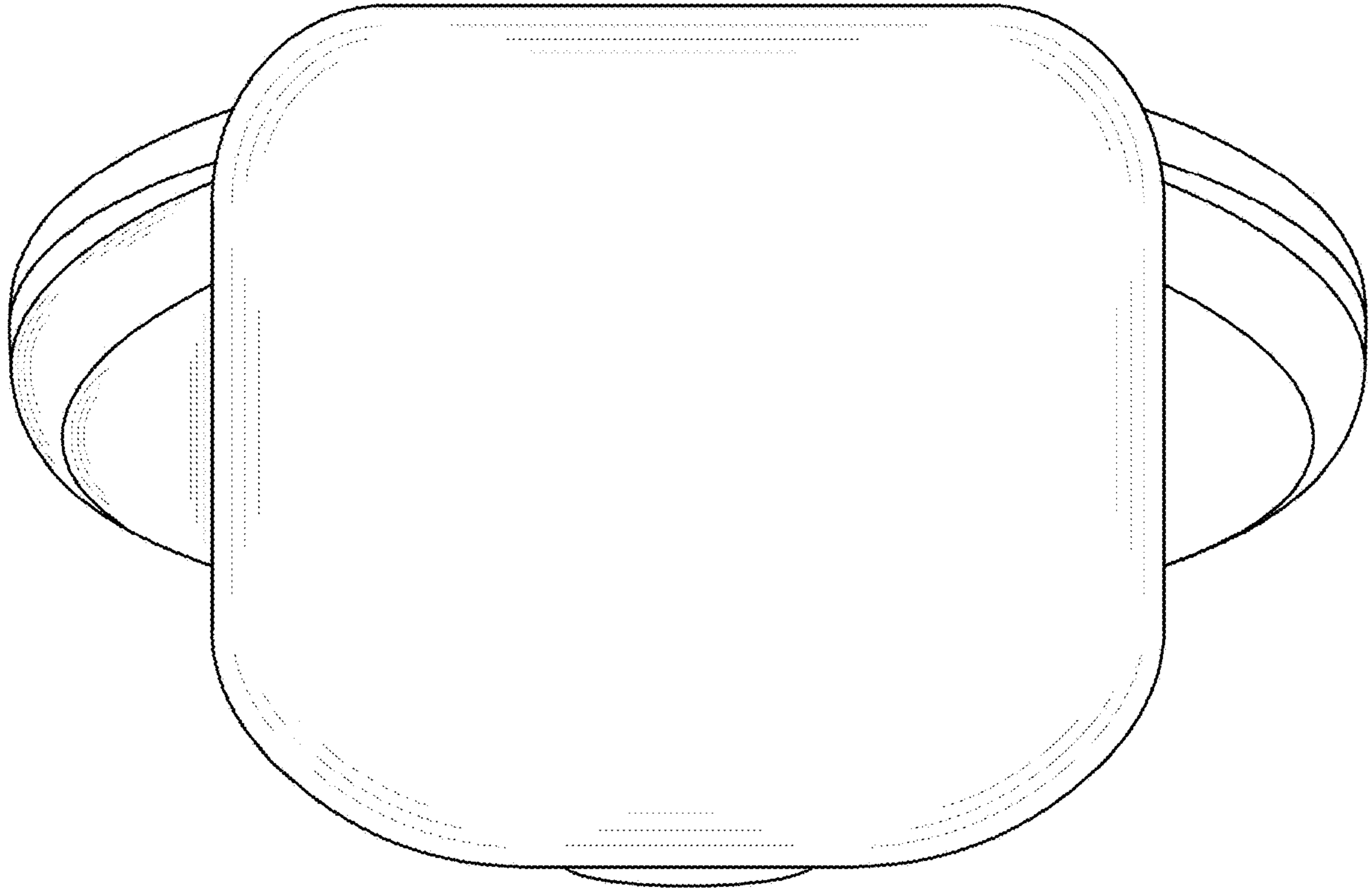


Fig. 6

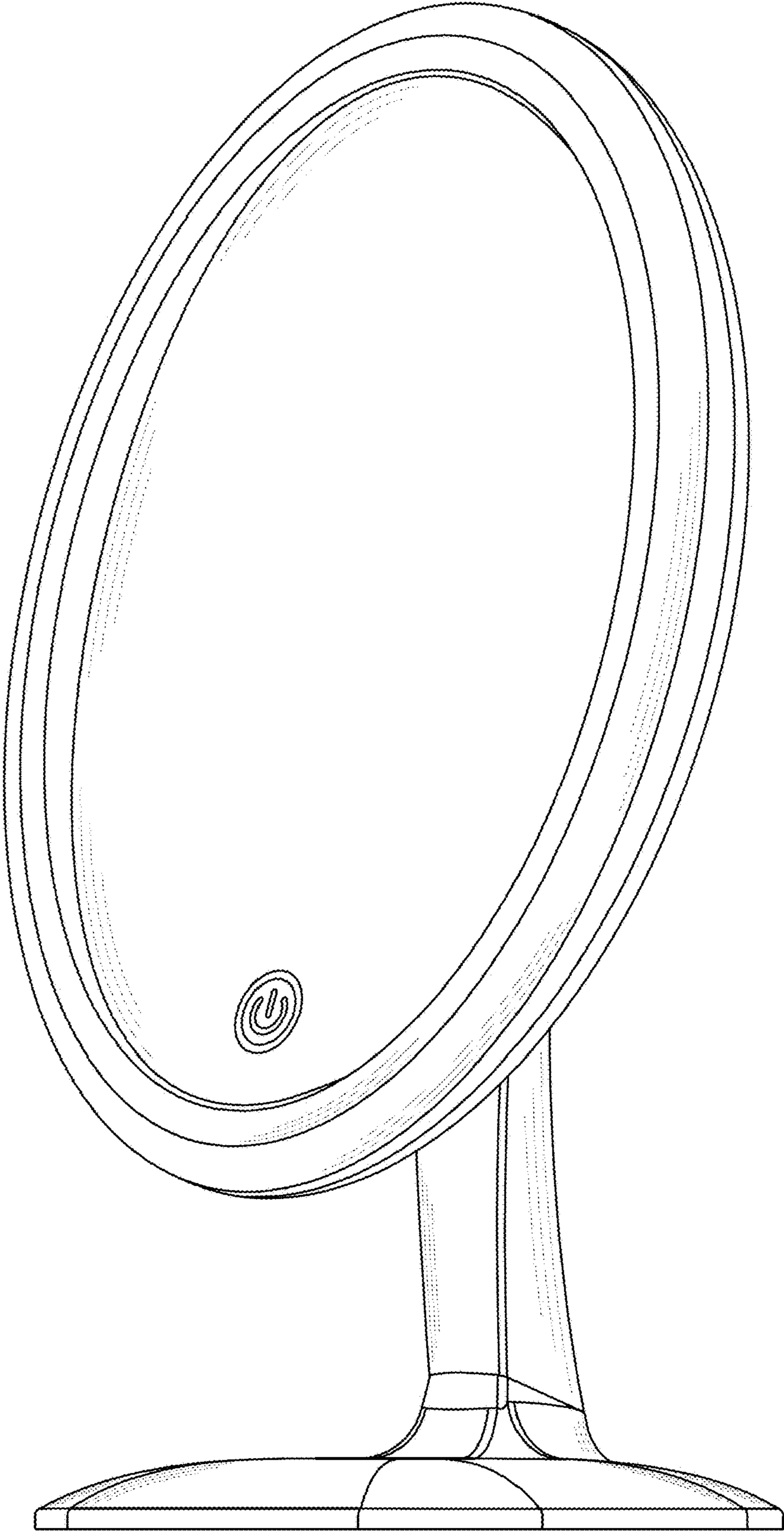


Fig. 7