



US00D905440S

(12) **United States Design Patent** (10) **Patent No.:** **US D905,440 S**  
**Yang** (45) **Date of Patent:** **\*\* Dec. 22, 2020**

(54) **MAKEUP MIRROR**

(56) **References Cited**

(71) Applicant: **Dongguan Powerme Plastic Mfg. Co., Ltd.**, Dongguan (CN)

U.S. PATENT DOCUMENTS

(72) Inventor: **Guowei Yang**, Jiangmen (CN)

D785,345 S *	5/2017	Yang	.....	D6/310
D825,205 S *	8/2018	Liu	.....	D6/310
D833,762 S *	11/2018	Liu	.....	D6/310
D865,374 S *	11/2019	Yang	.....	D6/310
D882,965 S *	5/2020	Liu	.....	D6/302
D886,469 S *	6/2020	Liu	.....	D6/310

(73) Assignee: **Dongguan Powerme Plastic Mfg. Co., Ltd.**, Dongguan (CN)

\* cited by examiner

(\*\*) Term: **15 Years**

*Primary Examiner* — Deanna L Pratt

(21) Appl. No.: **29/675,327**

(74) *Attorney, Agent, or Firm* — True Shepherd LLC; Andrew C. Cheng

(22) Filed: **Dec. 31, 2018**

(57) **CLAIM**

(30) **Foreign Application Priority Data**

The ornamental design for a makeup mirror, as shown and described.

Nov. 10, 2018 (CN) ..... 2018 3 0635954

**DESCRIPTION**

(51) **LOC (12) Cl.** ..... **06-07**

FIG. 1 is a front elevational view of a makeup mirror showing my new design;

(52) **U.S. Cl.**

FIG. 2 is a Rear elevational view thereof;

USPC ..... **D6/310**

FIG. 3 is a Left side view thereof;

(58) **Field of Classification Search**

FIG. 4 is a Right side view thereof;

USPC ..... D6/300-314

FIG. 5 is a Top plan view thereof;

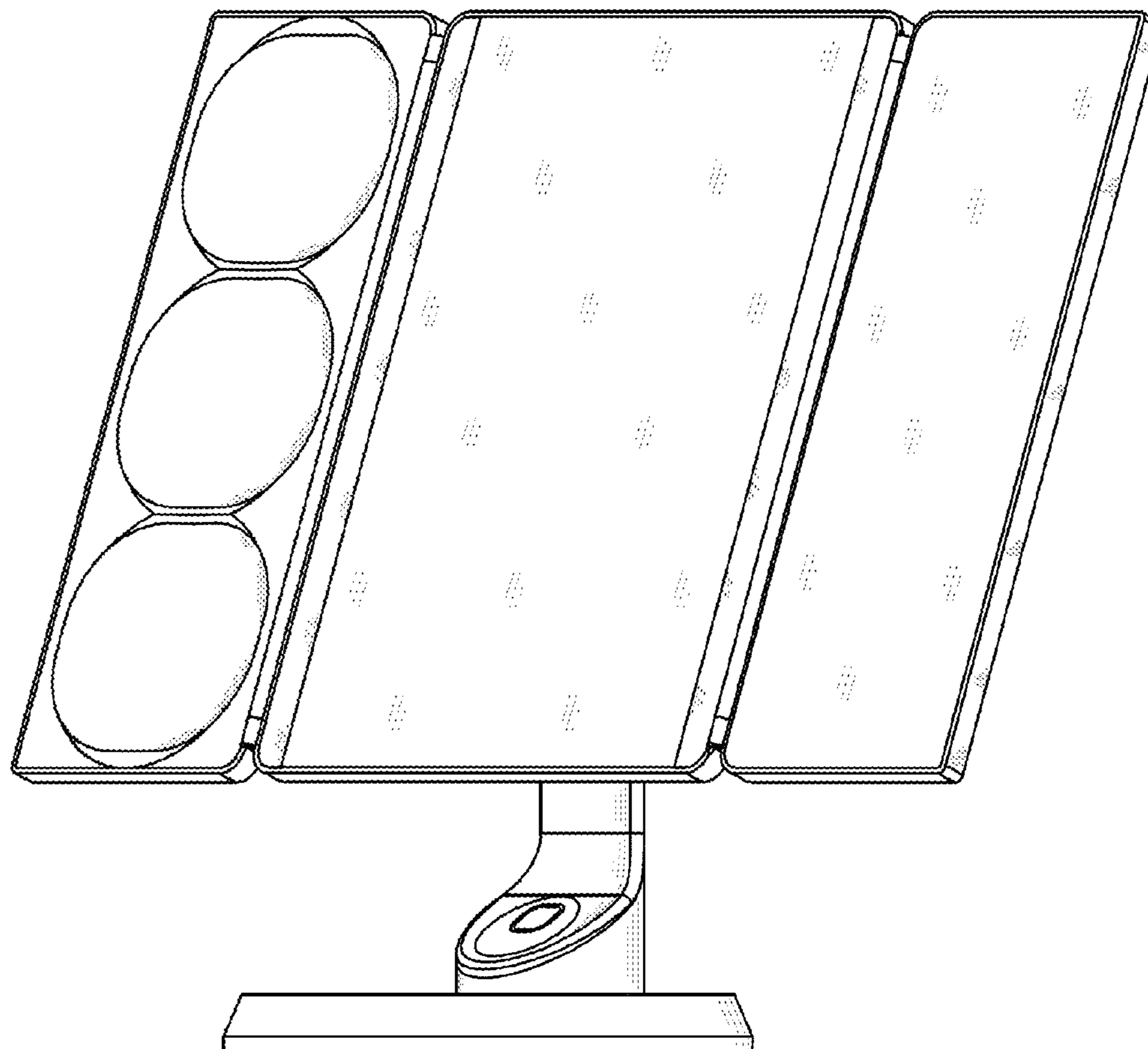
CPC .. A47G 1/00; A47G 2001/002; F21V 33/004; A45D 42/10

FIG. 6 is a Bottom plan view thereof; and,

FIG. 7 is a Perspective view thereof.

See application file for complete search history.

**1 Claim, 7 Drawing Sheets**



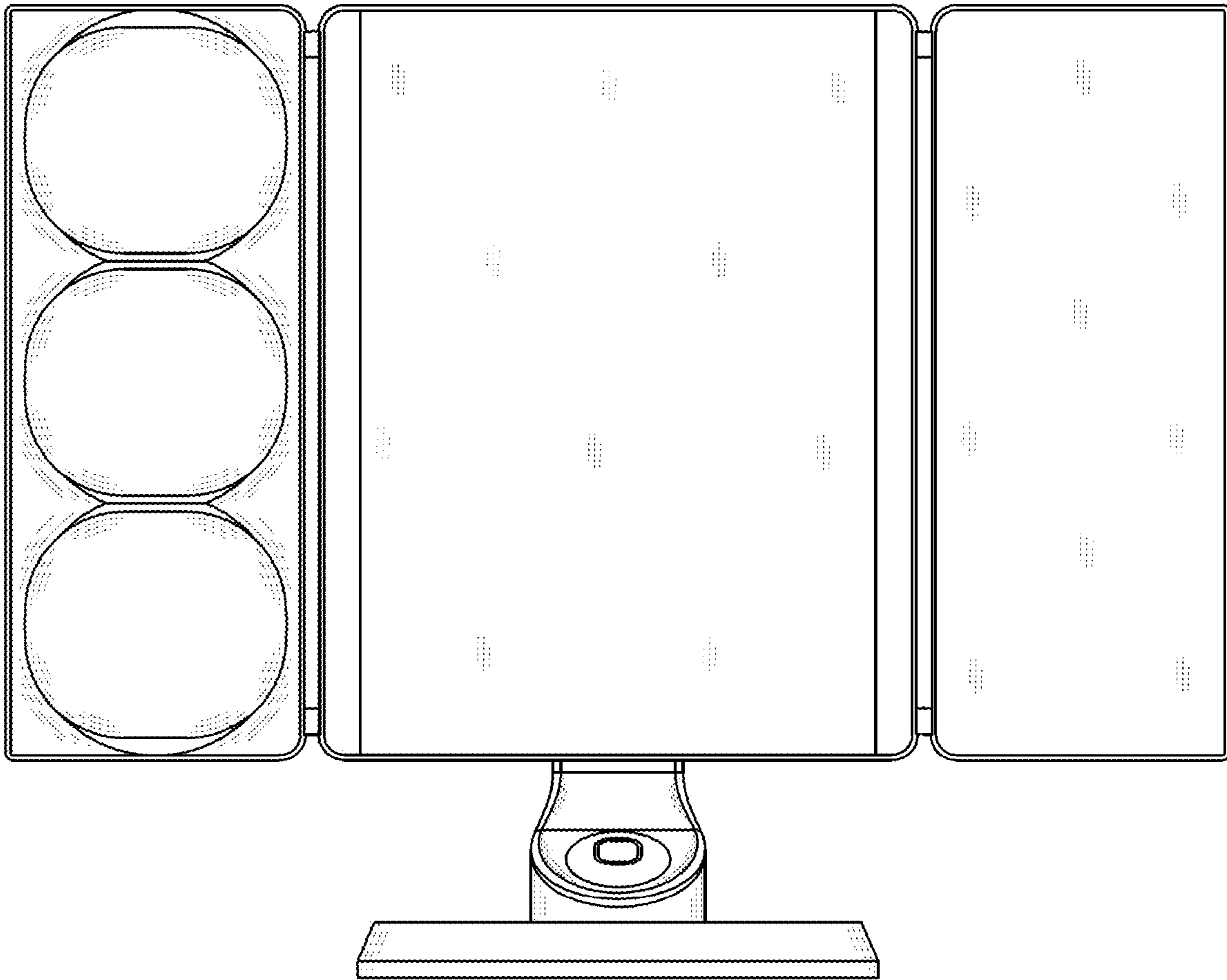


Fig. 1

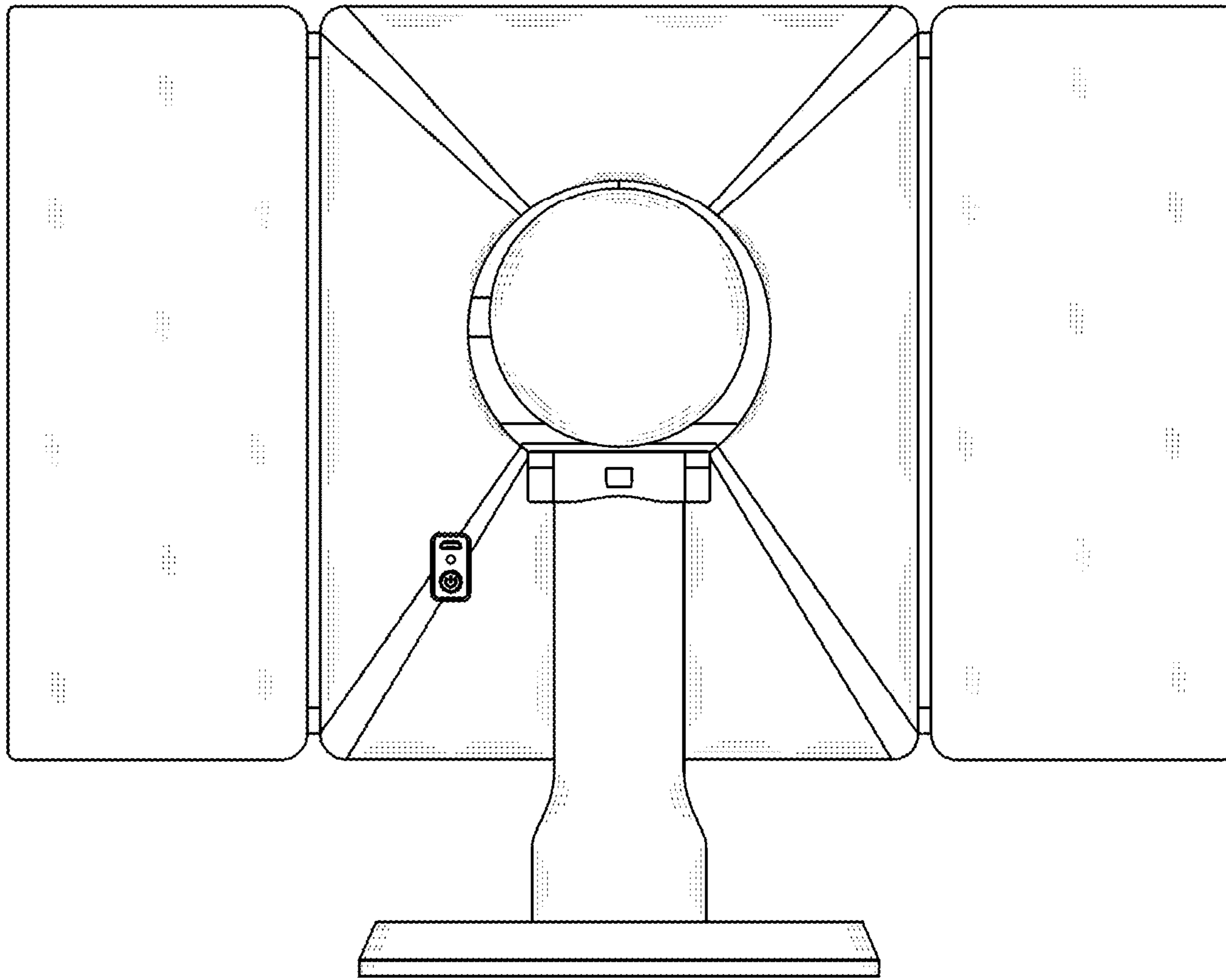


Fig. 2

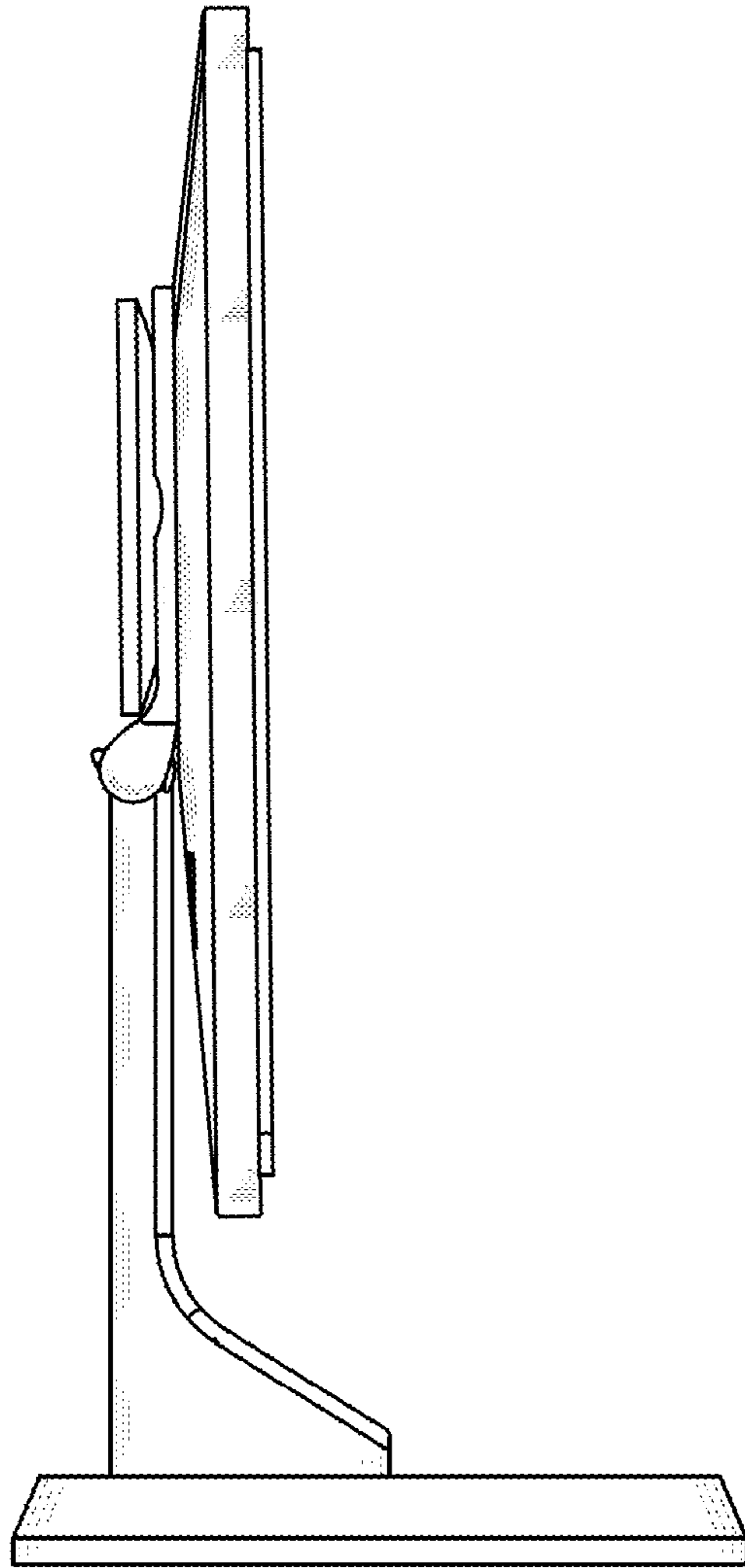


Fig. 3

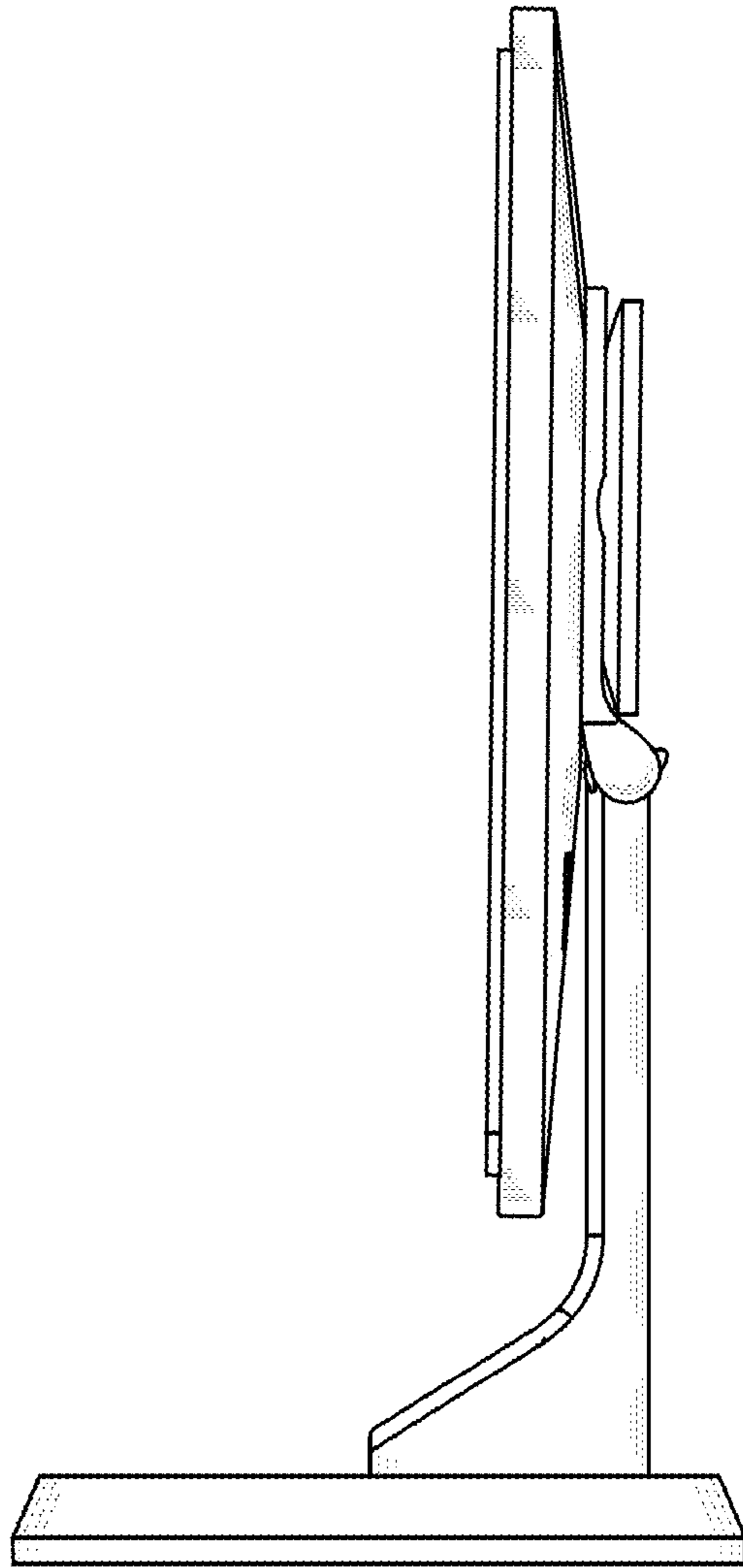


Fig. 4

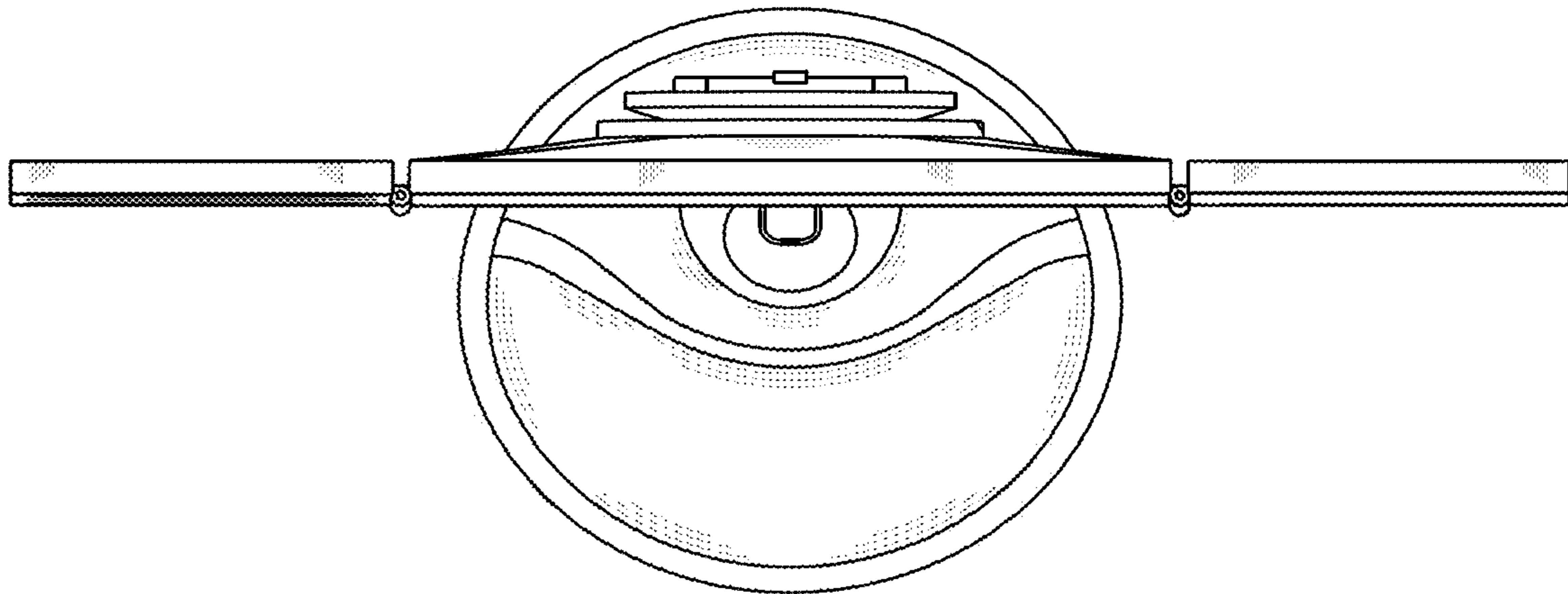


Fig. 5

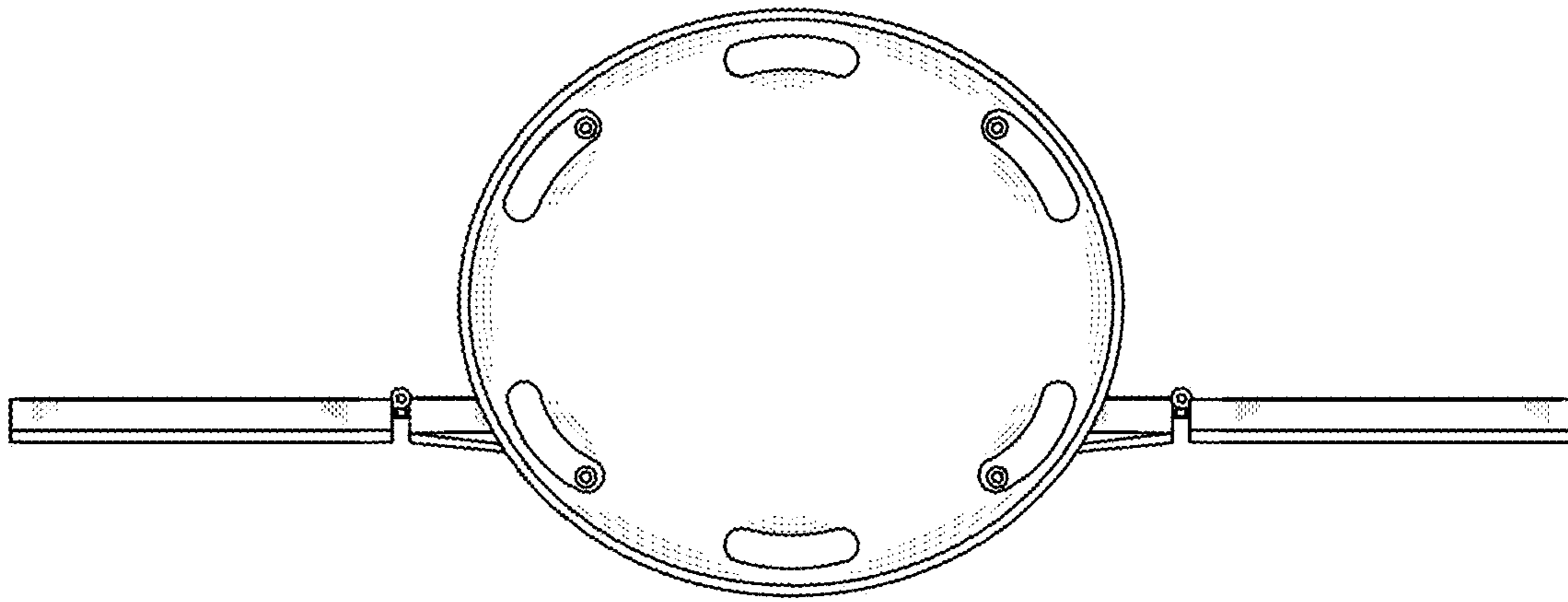


Fig. 6

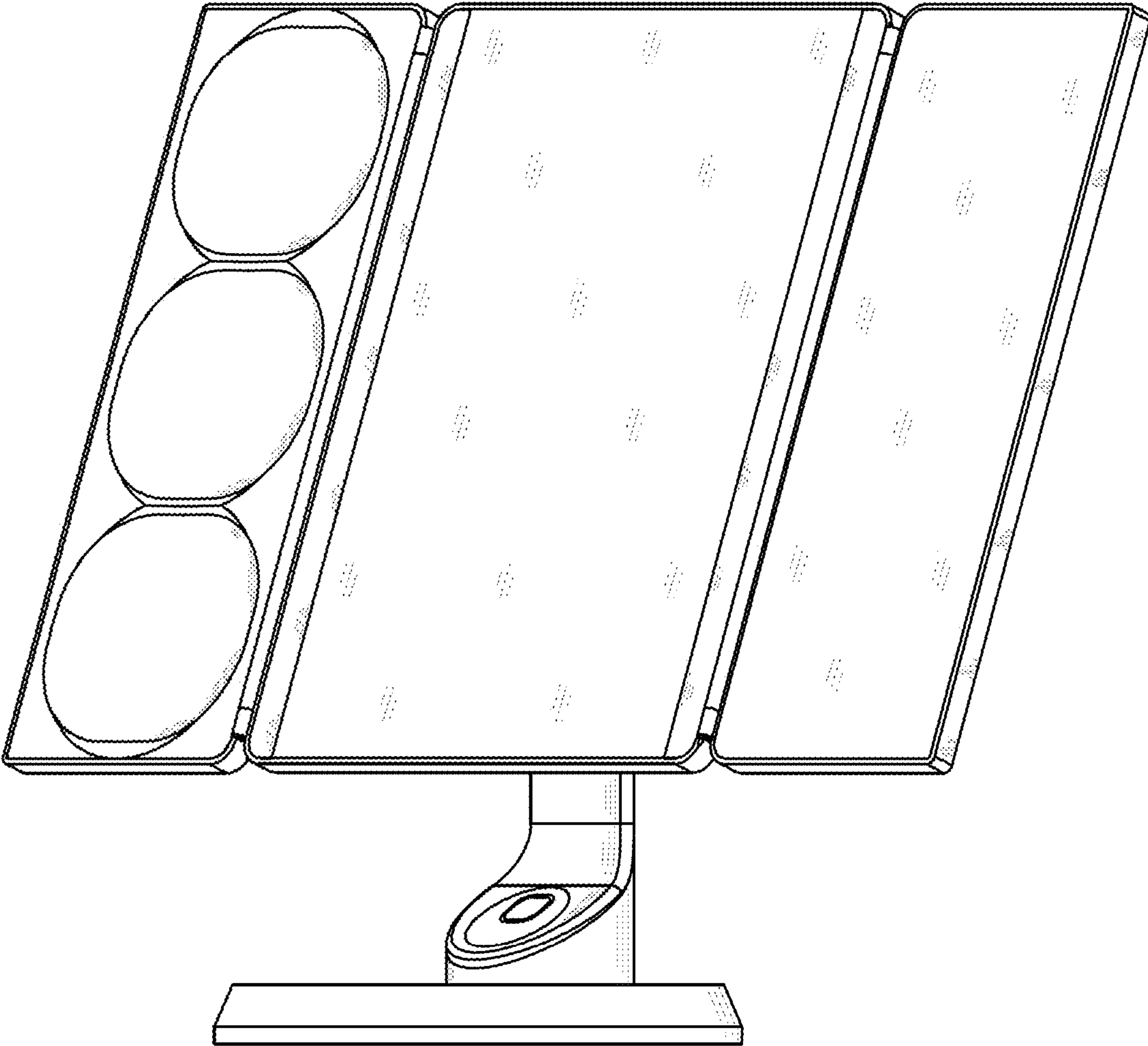


Fig. 7