



US00D905436S

(12) **United States Design Patent** (10) **Patent No.:** **US D905,436 S**  
**Pawluskiewicz** (45) **Date of Patent:** **\*\* Dec. 22, 2020**

(54) **BRUSH**  
(71) Applicant: **Spectrum Diversified Designs, LLC**,  
Streetsboro, OH (US)  
(72) Inventor: **Jan Pawluskiewicz**, Seattle, WA (US)  
(73) Assignee: **SPECTRUM DIVERSIFIED**  
**DESIGNS, LLC**, Streetsboro, OH (US)  
(\*\*) Term: **15 Years**  
(21) Appl. No.: **29/704,449**  
(22) Filed: **Sep. 5, 2019**  
(51) **LOC (12) Cl.** ..... **04-01**  
(52) **U.S. Cl.**  
USPC ..... **D4/134**  
(58) **Field of Classification Search**  
USPC ..... D4/114, 115, 116, 118, 119, 120, 121,  
D4/127, 128, 129, 130, 131, 132, 133,  
D4/134, 135, 136, 137, 138, 199; D28/7,  
D28/63; D32/35, 40, 49, 52; D7/393,  
D7/395; D8/DIG. 7  
CPC ..... A46B 5/02; A46B 2200/3033  
See application file for complete search history.

(56) **References Cited**

**U.S. PATENT DOCUMENTS**

1,631,133 A \* 6/1927 Jones ..... A61H 13/00  
15/244.1  
D181,055 S \* 9/1957 Hutcheson ..... D4/128  
D231,284 S \* 4/1974 Lindbo ..... D4/133  
D241,091 S \* 8/1976 Ahlstrom et al. .... D4/133  
D364,506 S \* 11/1995 Cousins ..... D4/118  
D425,308 S \* 5/2000 Ancona ..... D4/121  
D438,354 S \* 2/2001 Cann ..... D32/35  
D448,176 S \* 9/2001 Petner ..... D4/119  
D452,080 S \* 12/2001 Petner ..... D4/114  
D460,270 S \* 7/2002 Mannisto, Jr. .... D4/106  
D495,884 S \* 9/2004 Berti ..... D4/138  
D500,600 S \* 1/2005 Hay ..... D4/138  
D501,087 S \* 1/2005 Berti ..... D4/138

D575,530 S \* 8/2008 Libman ..... D4/132  
D577,202 S \* 9/2008 Meyer ..... D4/119  
7,854,034 B2 \* 12/2010 Welsh ..... A46B 17/02  
15/143.1

**FOREIGN PATENT DOCUMENTS**

JP D1071566 \* 5/2000

**OTHER PUBLICATIONS**

OXO Dish Brush, Sur la table website, <https://www.surlatable.com/oxo-dish-brush/PRO-636464.html>, dated Aug. 15, 2019, 1 page.  
OXO Dish Brush, Sur la table website, [https://www.surlatable.com/product/PRO-636464/?mrkgcl=890&mrkgadid=3250782072&affscid=AFF0005&utm\\_source=Google&utm\\_medium=cpc&utm\\_campaign=803390144&utm\\_term=297068456345\\_product\\_type\\_home\\_product\\_type&product\\_id=636464&adpos=6012&creative=190776978648&device=c&matchtype=&network=g&lsft=mrkgcl:890,mrkgadid:3250782072,product\\_id:636464,adpos:6012,creative:190776978648,device:c,matchtype:,network:g&gclid=Cj0KCQjw4s7qBRczARIsAImcAxYFhuhu0N2RhrIDGF73mDuhS8FNaAd8QgAPd-gUS4R8qZ681liEpcgaAu7xEALw\\_wcB](https://www.surlatable.com/product/PRO-636464/?mrkgcl=890&mrkgadid=3250782072&affscid=AFF0005&utm_source=Google&utm_medium=cpc&utm_campaign=803390144&utm_term=297068456345_product_type_home_product_type&product_id=636464&adpos=6012&creative=190776978648&device=c&matchtype=&network=g&lsft=mrkgcl:890,mrkgadid:3250782072,product_id:636464,adpos:6012,creative:190776978648,device:c,matchtype:,network:g&gclid=Cj0KCQjw4s7qBRczARIsAImcAxYFhuhu0N2RhrIDGF73mDuhS8FNaAd8QgAPd-gUS4R8qZ681liEpcgaAu7xEALw_wcB).

\* cited by examiner

*Primary Examiner* — Karen E Eldridge Powers  
(74) *Attorney, Agent, or Firm* — Tucker Ellis LLP

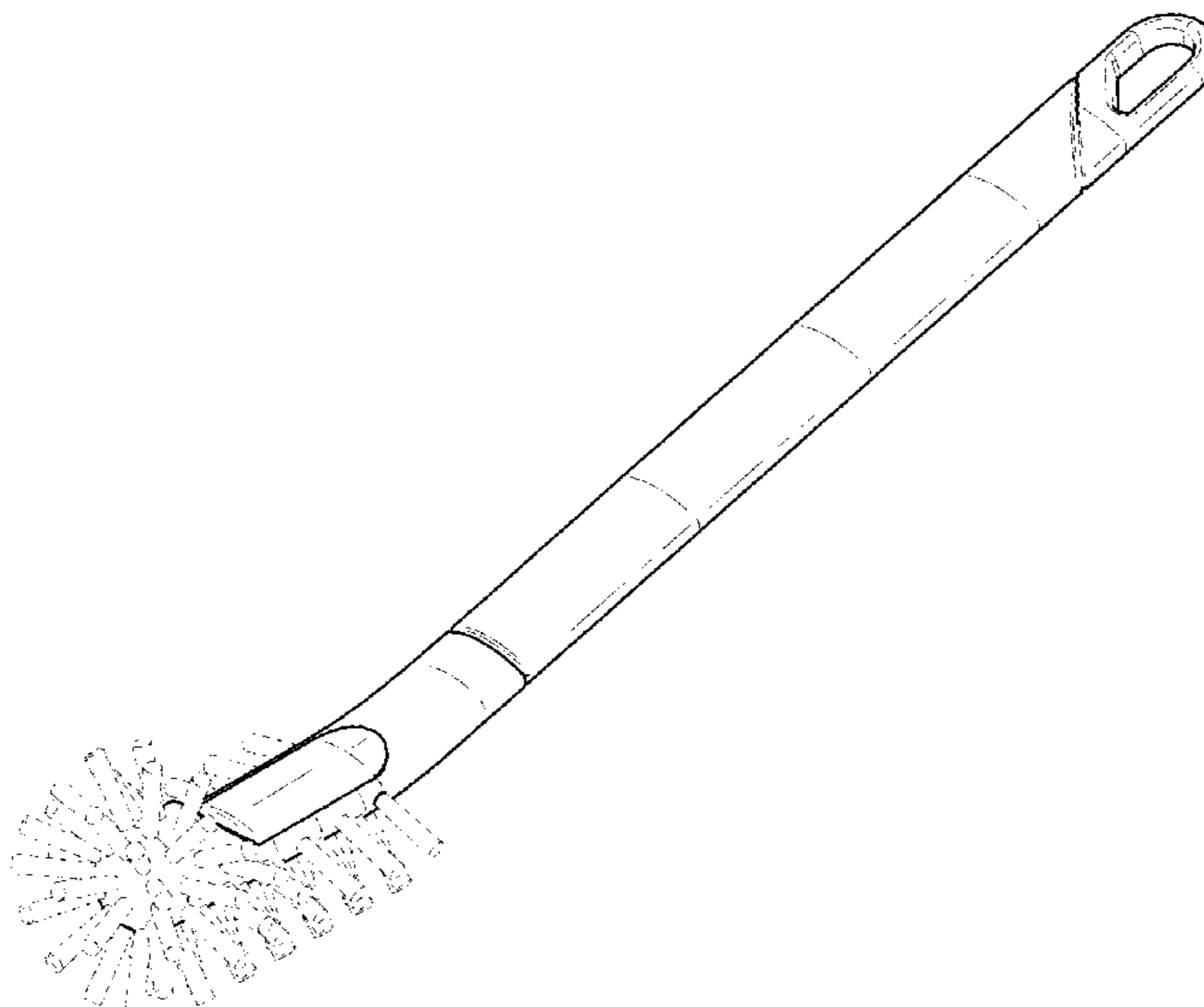
(57) **CLAIM**

The ornamental design for a brush, as shown and described.

**DESCRIPTION**

FIG. 1 is a perspective view of a brush showing my new design.  
FIG. 2 is a front elevation view thereof.  
FIG. 3 is a rear elevation view thereof.  
FIG. 4 is a right side elevation view thereof.  
FIG. 5 is a left side elevation view thereof.  
FIG. 6 is a top plan view thereof; and,  
FIG. 7 is a bottom plan view thereof.  
The broken lines show portions of the design that form no part of the claimed design.

**1 Claim, 4 Drawing Sheets**



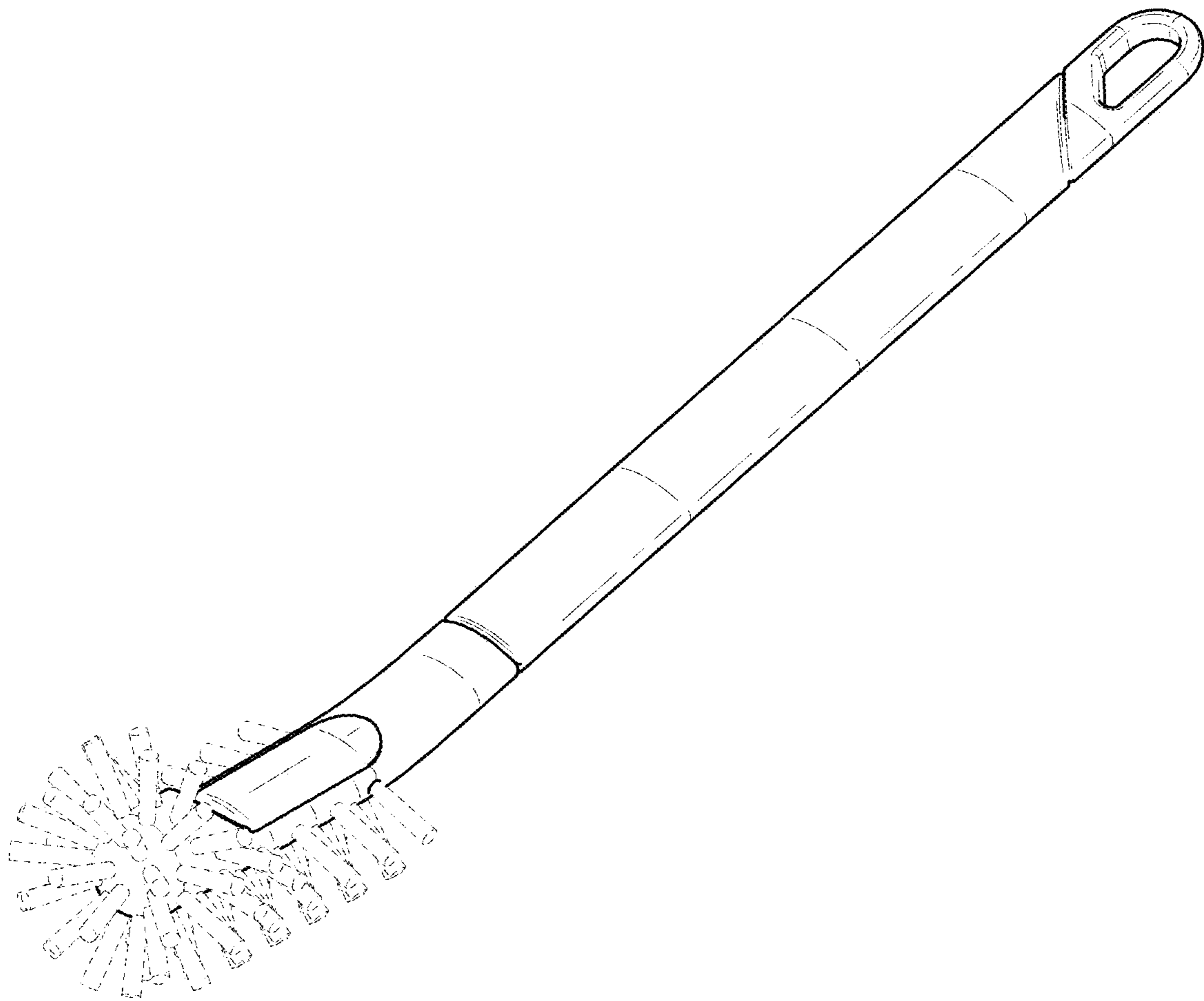


FIG. 1

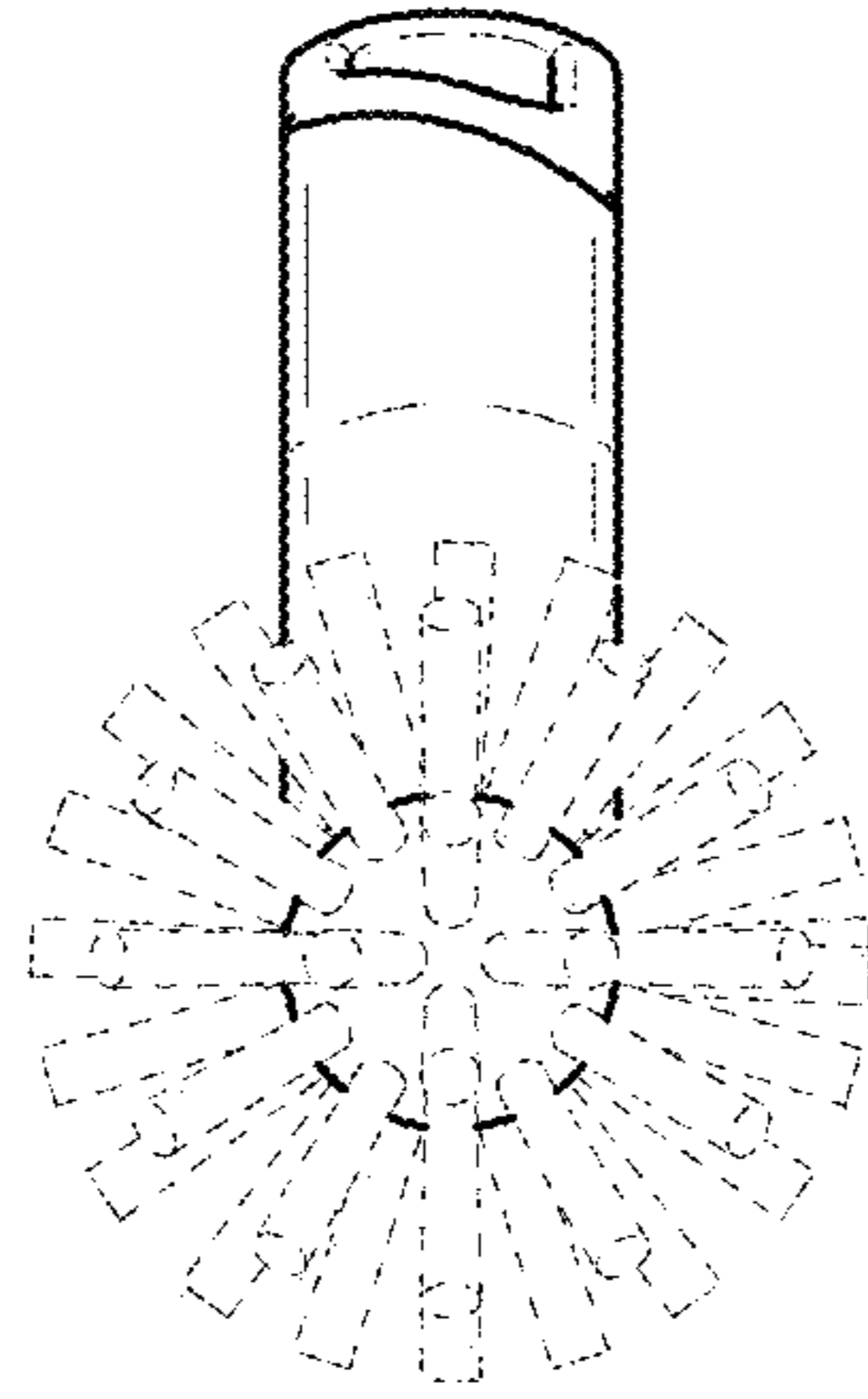


FIG. 2

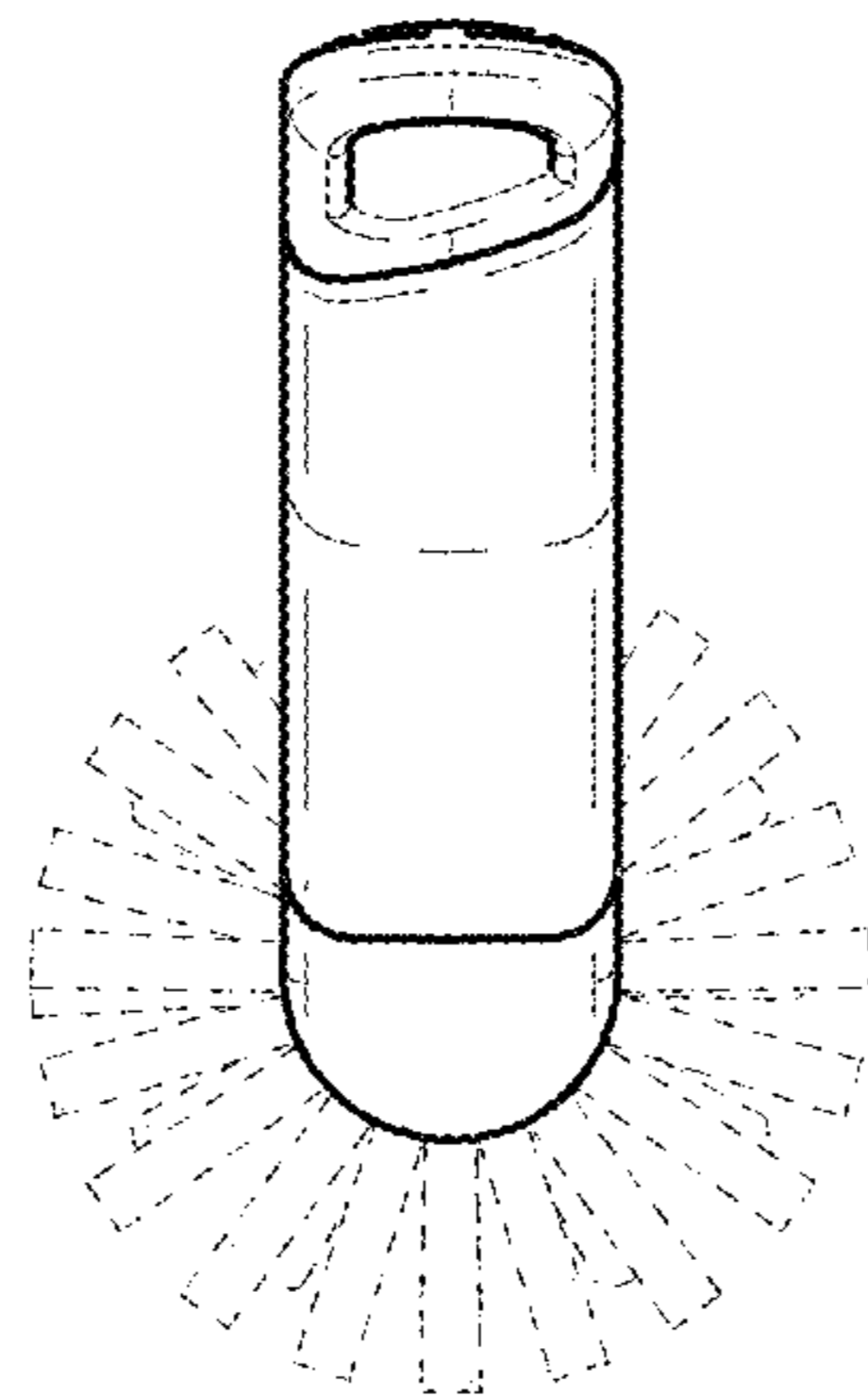


FIG. 3

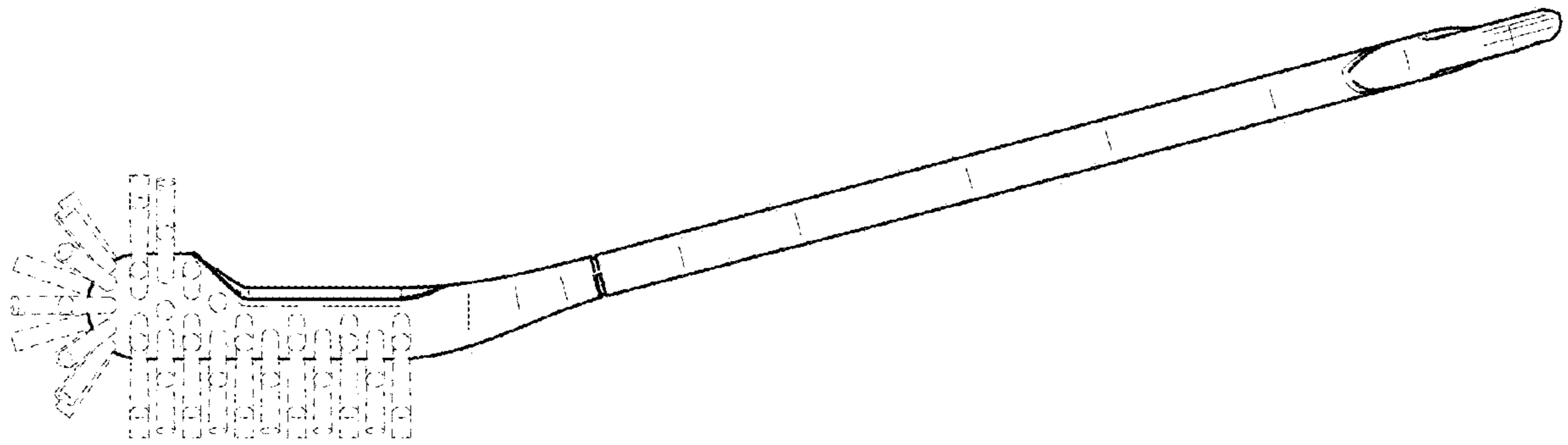


FIG. 4

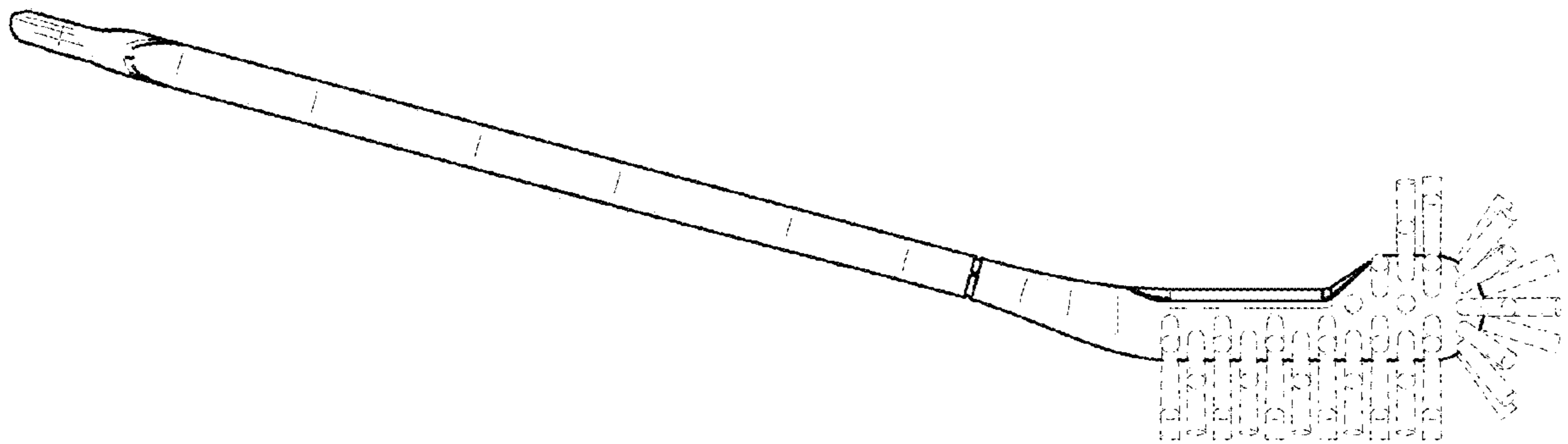


FIG. 5

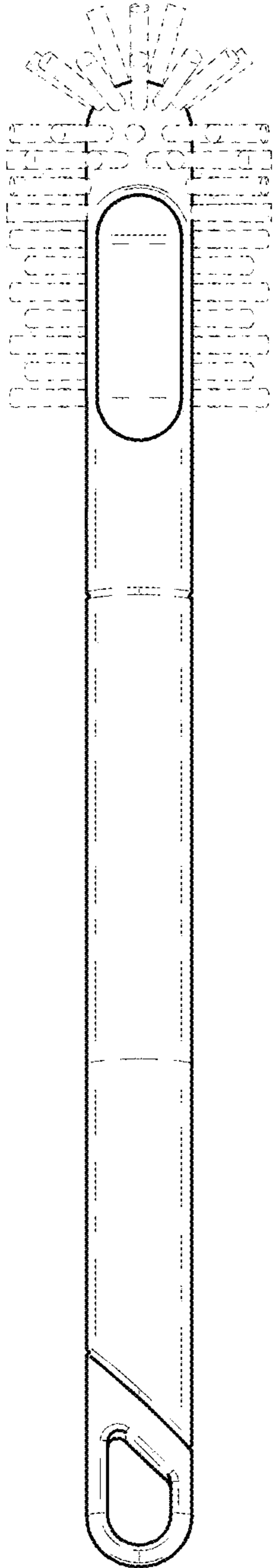


FIG. 6

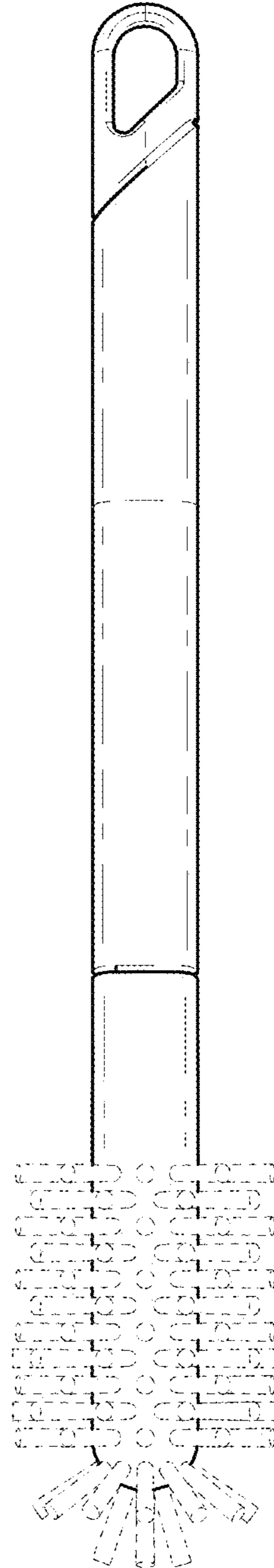


FIG. 7