



US00D905435S

(12) **United States Design Patent** (10) **Patent No.:** **US D905,435 S**  
**Nicoline** (45) **Date of Patent:** **\*\* Dec. 22, 2020**

(54) **BRUSH**

2,674,759 A 4/1954 Solberg  
D189,374 S 11/1960 Harris  
D189,393 S 12/1960 Schlumbohm  
(Continued)

(71) Applicant: **Paris Presents Incorporated**, Gurnee, IL (US)

(72) Inventor: **Alyssa C. Nicoline**, McHenry, IL (US)

**FOREIGN PATENT DOCUMENTS**

(73) Assignee: **Paris Presents Incorporated**, Libertyville, IL (US)

CN 300826116 9/2008  
CN 301850467 3/2012  
(Continued)

(\*\*) Term: **15 Years**

**OTHER PUBLICATIONS**

(21) Appl. No.: **29/713,895**

Antique 1920's French Swans Down Power Puff Houppette Compact [on-line]. [Retrieved from the Internet Jun. 4, 2020.] URL: <https://www.rubylane.com/item/762665-2214/Antique-1920x27s-French-Swans-Down-Powder?search=1> (Year: 1929).\*

(22) Filed: **Nov. 19, 2019**

(Continued)

**Related U.S. Application Data**

(63) Continuation of application No. 29/636,479, filed on Feb. 8, 2018, now Pat. No. Des. 866,986.

*Primary Examiner* — Karen E Eldridge Powers

(51) **LOC (12) Cl.** ..... **04-02**

(52) **U.S. Cl.**  
USPC ..... **D4/127; D4/132**

(57) **CLAIM**

(58) **Field of Classification Search**  
USPC ..... D4/114, 115, 116, 118, 120, 121, 122, D4/123, 124, 127, 128, 130, 131, 133, D4/134, 135, 136, 137, 138, 199; D28/7, D28/8; 15/104.94, 106

The ornamental design for a brush, as shown and described.

CPC .... A46B 2200/1046; A46B 5/02; A46B 9/021  
See application file for complete search history.

**DESCRIPTION**

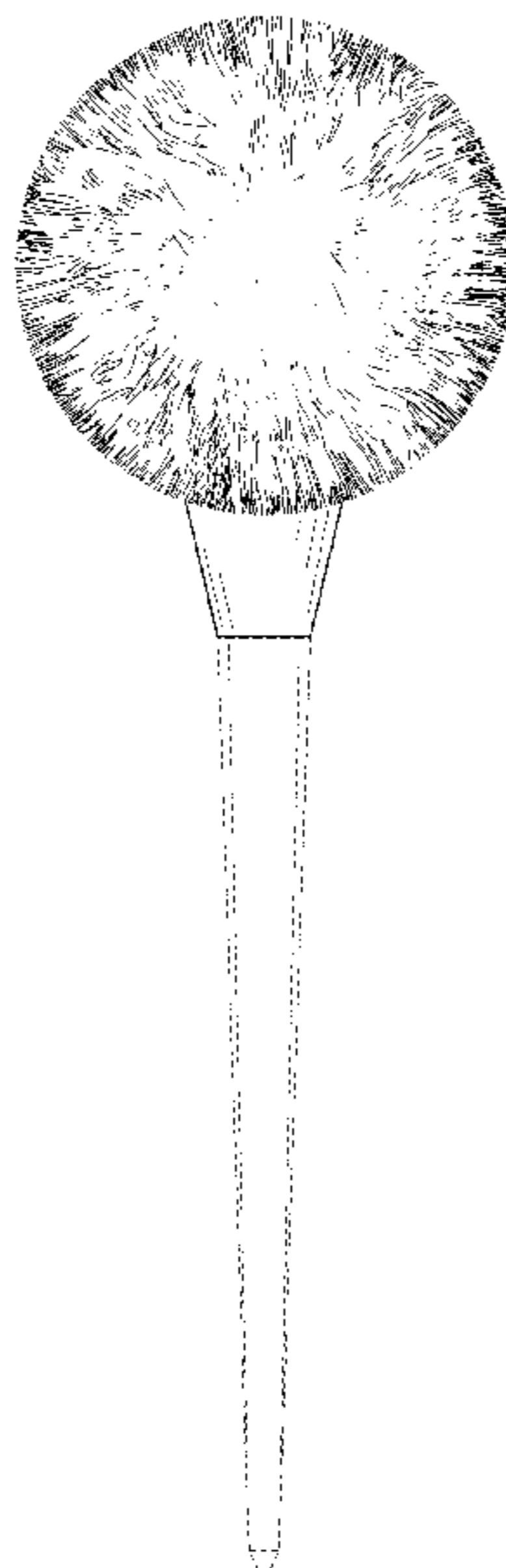
(56) **References Cited**

**U.S. PATENT DOCUMENTS**

1,431,881 A \* 10/1922 Smith ..... A45D 33/36  
15/208  
RE16,869 E 2/1928 Goldman  
1,671,891 A 5/1928 Dolan  
D99,364 S 4/1936 Paisley  
D116,216 S 8/1939 Brekke  
D139,381 S 11/1944 Harris  
D158,250 S 4/1950 Cosby, Jr.

FIG. 1 is a perspective view of a front, top, and right side of an ornamental design for a brush;  
FIG. 2 is a front elevational view of the of the brush of FIG. 1;  
FIG. 3 is a rear elevational view of the brush of FIG. 1;  
FIG. 4 is a right side elevational view of the brush of FIG. 1;  
FIG. 5 is a left side elevational view of the brush of FIG. 1;  
FIG. 6 is a top plan view of the brush of FIG. 1; and,  
FIG. 7 is a bottom plan view of the brush of FIG. 1.  
The dash-dash-dash lines are included for the purpose of illustrating portions that form no part of the claimed design.

**1 Claim, 4 Drawing Sheets**



(56)

References Cited

U.S. PATENT DOCUMENTS

3,097,386 A 7/1963 Marani  
D197,023 S 12/1963 Munson  
D200,794 S 4/1965 Munson  
3,276,062 A 10/1966 Palumbo  
D209,842 S 1/1968 Anderson  
D238,631 S 2/1976 Leighton  
D248,812 S 8/1978 Eiserman  
D249,600 S 9/1978 Bowman  
D250,229 S 11/1978 Werner  
D258,240 S 2/1981 Takada et al.  
D260,188 S 8/1981 Boykin, Jr.  
D263,807 S 4/1982 Kingsford  
D274,474 S 6/1984 Castiglioni  
D275,040 S 8/1984 Holloway  
D278,951 S 5/1985 Kalinsky  
D278,952 S 5/1985 Kalinsky  
D285,730 S 9/1986 Bulwick  
D295,878 S 5/1988 Lovell  
D300,850 S 4/1989 Brewer  
D304,392 S 11/1989 Reich  
4,946,389 A 8/1990 Weissenburger  
D312,729 S 12/1990 Auttajark  
D319,736 S 9/1991 Thuresson et al.  
D323,186 S 1/1992 Clark et al.  
D327,979 S 7/1992 Carranza  
D329,899 S 9/1992 Rihani  
D346,277 S 4/1994 Sherman et al.  
D353,940 S \* 1/1995 Joyner ..... D28/63  
D361,236 S 8/1995 Murgalo  
D368,093 S 3/1996 Starck  
D370,085 S 5/1996 MacGilvary  
5,542,144 A 8/1996 Forsline  
D376,696 S 12/1996 Vogel, Jr.  
D376,910 S 12/1996 Tuchman  
D384,436 S 9/1997 Kelley  
D386,311 S 11/1997 Moskovich  
D395,552 S 6/1998 Cunningham  
D398,156 S 9/1998 Jovaag  
D404,647 S 1/1999 Federighi  
5,926,903 A 7/1999 Kim  
D418,541 S 1/2000 Mayer  
D418,601 S 1/2000 McGugan  
6,039,051 A 3/2000 Dorf  
D427,777 S 7/2000 Kim  
D430,608 S 9/2000 Krieglstein et al.  
D431,324 S 9/2000 Hirato et al.  
D433,537 S 11/2000 Schoon et al.  
D435,349 S 12/2000 Kim  
D438,383 S 3/2001 Doat  
D446,212 S 8/2001 Chang  
D447,602 S 9/2001 Dumler et al.  
D450,189 S 11/2001 Mink et al.  
D451,285 S 12/2001 Andersson  
D452,948 S 1/2002 Mink et al.  
6,386,874 B2 5/2002 Bachmann et al.  
D458,761 S 6/2002 Mason et al.  
D460,111 S 7/2002 Veillon  
6,439,241 B2 8/2002 Berke et al.  
D463,735 S 10/2002 Gobe  
D469,180 S 1/2003 Mark  
6,513,183 B2 2/2003 Dorf  
D478,213 S 8/2003 Ping  
D479,918 S 9/2003 Mink  
D480,272 S 10/2003 Yang  
D485,575 S 1/2004 Lovell  
6,779,532 B2 8/2004 Dorf  
D516,257 S 2/2006 Brackett et al.  
D518,102 S 3/2006 Lovell  
D522,247 S 6/2006 Moore  
D522,866 S 6/2006 Bakic  
D527,188 S 8/2006 Langer  
D528,304 S 9/2006 Langer  
D528,305 S 9/2006 Langer  
D529,292 S 10/2006 Langer  
D529,293 S 10/2006 Langer  
D529,719 S 10/2006 Langer  
D530,097 S 10/2006 Langer  
D530,519 S 10/2006 Langer  
D541,979 S 5/2007 Montoli  
D571,105 S 6/2008 Godin  
D571,559 S 6/2008 Riaz  
D572,010 S 7/2008 Riaz  
D573,348 S 7/2008 Dumler et al.  
D573,349 S 7/2008 Dumler et al.  
D574,154 S 8/2008 Dumler et al.  
D574,155 S 8/2008 Dumler et al.  
7,416,080 B1 8/2008 Langer  
D598,655 S 8/2009 Thorpe et al.  
D599,113 S 9/2009 Jackel-Marken  
D599,117 S 9/2009 Dumler  
D617,954 S 6/2010 LAbbate  
7,779,847 B2 8/2010 Castagno et al.  
RE41,710 E 9/2010 Dumler et al.  
RE41,711 E 9/2010 Dumler et al.  
D625,522 S 10/2010 Riaz  
D627,977 S 11/2010 Magallanes Orozco  
D628,811 S 12/2010 Masuyama  
D629,846 S 12/2010 Losel  
D630,437 S 1/2011 Carey  
D631,666 S 2/2011 Lim et al.  
D632,086 S 2/2011 Kulik  
D634,127 S 3/2011 Burgess et al.  
D642,805 S 8/2011 Burgess et al.  
D645,665 S 9/2011 Del Ponte  
D650,012 S 12/2011 Losel  
D655,006 S 2/2012 Rajaiah et al.  
D658,385 S 5/2012 Lim et al.  
8,185,998 B2 5/2012 Xu  
D663,957 S 7/2012 Garcia  
8,230,543 B2 7/2012 Shrier et al.  
D666,008 S 8/2012 Boudreau  
D676,663 S 2/2013 Ptok et al.  
D676,666 S 2/2013 Nelson  
D677,904 S 3/2013 Hammer  
D678,682 S 3/2013 Hammer  
D678,683 S 3/2013 Hammer  
D678,684 S 3/2013 Hammer  
D699,041 S 2/2014 Waitesmith  
D702,554 S 4/2014 Cole et al.  
D706,542 S 6/2014 Lavigne  
D718,060 S 11/2014 Filho et al.  
D718,941 S 12/2014 Matsuishi  
D723,349 S 3/2015 Henderson  
9,089,200 B2 7/2015 Telwar et al.  
D743,632 S 11/2015 Schlickman  
D746,010 S 12/2015 Xavier et al.  
D747,835 S 1/2016 Barnard et al.  
9,237,790 B2 1/2016 Takagi  
D749,327 S 2/2016 Thierer et al.  
D749,858 S 2/2016 Snook  
D749,859 S 2/2016 Snook  
D750,383 S 3/2016 Serrano  
D752,149 S 3/2016 Fairweather  
D753,769 S 4/2016 Ciriolo  
D756,127 S 5/2016 Nicoline  
D756,661 S 5/2016 Waitesmith  
D757,441 S 5/2016 Hwang  
D757,443 S 5/2016 Waitesmith  
D757,447 S 5/2016 White  
D758,742 S 6/2016 Nicoline  
D761,025 S 7/2016 Hinckley  
D762,988 S 8/2016 Xavier et al.  
D763,676 S 8/2016 Filho et al.  
D764,807 S 8/2016 Waitesmith  
D765,421 S 9/2016 Cole  
D766,586 S 9/2016 Hwang  
D766,587 S 9/2016 Hwang  
D767,903 S 10/2016 Lim  
D768,997 S 10/2016 Shlaferman  
D768,998 S 10/2016 Kim et al.  
D771,389 S 11/2016 Since  
D776,440 S 1/2017 Jain  
D776,941 S 1/2017 Nicoline  
D778,067 S 2/2017 Jain

(56)

References Cited

U.S. PATENT DOCUMENTS

D778,617 S 2/2017 Jain  
D778,618 S 2/2017 Jain  
D778,619 S 2/2017 Jain  
D778,620 S 2/2017 Jain  
D778,621 S 2/2017 Jain  
D778,623 S 2/2017 Jain  
D779,137 S 2/2017 Taylor  
D779,213 S 2/2017 Jain  
D781,592 S 3/2017 Kaicker et al.  
D781,593 S 3/2017 Kaicker  
D782,138 S 3/2017 Xavier et al.  
D782,198 S 3/2017 Hwang  
D782,199 S 3/2017 Hwang  
D782,201 S 3/2017 Hwang  
D782,730 S 3/2017 Zhang et al.  
D782,826 S 4/2017 Kim et al.  
D783,291 S 4/2017 Lin  
D787,190 S 5/2017 Machiorlette et al.  
D787,191 S 5/2017 Hwang  
D787,192 S 5/2017 Hwang  
D787,193 S 5/2017 Hwang  
D787,833 S 5/2017 Jain  
9,642,441 B1 5/2017 Ajootian  
D788,471 S 6/2017 Dunaway  
D790,973 S 7/2017 Kern et al.  
D793,090 S 8/2017 Allen et al.  
D794,966 S 8/2017 Salm  
D800,457 S 10/2017 Kaicker  
D802,938 S 11/2017 Nicoline  
D803,574 S 11/2017 Munitz et al.  
D807,611 S 1/2018 Almarales  
D813,553 S 3/2018 Ford  
D817,546 S 5/2018 Barozzi  
D817,647 S 5/2018 Nicoline  
D819,340 S 6/2018 Nicoline et al.  
D819,979 S 6/2018 Nicoline et al.  
D821,760 S 7/2018 Yan  
D826,573 S \* 8/2018 Nicoline ..... D4/135  
D827,308 S 9/2018 Nicoline  
D827,309 S 9/2018 Nicoline  
D827,310 S 9/2018 Allenback  
D827,311 S 9/2018 Nicoline  
D829,006 S 9/2018 Richards  
D830,464 S 10/2018 Fairweather  
D831,362 S 10/2018 Kim  
D831,974 S 10/2018 Nicoline  
D831,975 S 10/2018 Nicoline  
D831,976 S 10/2018 Nicoline  
10,098,446 B2 10/2018 Telwar Kaicker et al.  
D842,547 S 3/2019 Catolico et al.  
D850,121 S 6/2019 Chang  
D866,986 S \* 11/2019 Nicoline ..... D4/138  
2002/0083953 A1 7/2002 Dorf  
2006/0248669 A1 11/2006 Dovellos  
2010/0101035 A1 4/2010 Nakamura  
2010/0236004 A1 9/2010 Xu  
2011/0017226 A1 1/2011 Choi  
2011/0174680 A1 7/2011 Arvin et al.  
2011/0284019 A1 11/2011 Fairweather  
2012/0298130 A1 11/2012 Telwar et al.  
2013/0174860 A1 7/2013 Takagi  
2014/0166041 A1 6/2014 King

2014/0331422 A1 11/2014 Lim  
2015/0027495 A1 1/2015 Xavier et al.  
2016/0128445 A1 5/2016 Lim  
2016/0262528 A1 9/2016 Telwar  
2017/0188691 A1 7/2017 Richards  
2017/0265637 A1 9/2017 Telwar  
2018/0153293 A1 6/2018 Dovellos et al.  
2018/0220786 A1 8/2018 Serposi

FOREIGN PATENT DOCUMENTS

CN 301855897 3/2012  
CN 303866304 9/2016  
CN 303901885 11/2016  
CN 305213443 \* 6/2019  
EM 002602847-0002 3/2015  
EM 002910968-0001 12/2015  
EM 002910968-0002 12/2015  
EM 002910968-0003 12/2015  
EM 002910968-0004 12/2015  
EM 002910968-0005 12/2015  
EM 002910968-0006 12/2015  
EM 002910968-0007 12/2015  
EM 002910968-0008 12/2015  
EM 002910968-0009 12/2015  
EM 002910968-0010 12/2015  
EM 002910968-0011 12/2015  
EM 002910968-0012 12/2015  
EM 002910968-0013 12/2015  
EM 003998293-0001 6/2017  
EM 003998293-0002 6/2017  
EM 003998293-0003 6/2017  
WO 2012142545 A2 10/2012

OTHER PUBLICATIONS

Powder Puff Wands by LadyOfWindsor [on-line]. [Retrieved from the Internet Jun. 4, 2020.] URL: (see p. 1 of printed copy for full URL.) (Year: 2020).\*

Vintage Swans Down Telescoping Vanity Puff [on-line]. [Retrieved from the Internet Jun. 4, 2020.] URL: <https://www.rubylane.com/item/515275-RI2968/Vintage-Swans-Down-Telescoping-Vanity-Puff?search=1> (Year: 2020).\*

Vintage Swansdown Powder Puff [on-line]. [Retrieved from the Internet Jun. 4, 2020.] URL: <https://www.rubylane.com/item/495269-A-71/Vintage-Swansdown-Power-Puff?search=1> (Year: 2020).\*

Maria Pia, "Tom Ford Cream Foundation Brush review, photos and comparisons.," If Makeup Could Talk, LLC, Sep. 20, 2013, 5 pages. [URL] <http://ifmakeupcouldtalk.com/toolsaccessories/tom-ford-cream-foundation-brush-review-photos-and-comparisons/>.

Iswarya, "Tmart 10pcs Professional Cosmetic Makeup Brush Set with Cream Colored Bag Review!!" I Am Girly Blog, Oct. 3, 2014, 8 pages. [URL] <http://i-am-girly.com/product-review/tmart-10-pcs-professional-cosmetic-makeup-brush-set-with-cream-colored-bag-review.html>.

"Real Techniques Point L Makeup Brush," Real Techniques, Retrieved from Internet Jan. 8, 2018, 5 pages. [URL] <https://realtechniques.com/point-l/p/1481>.

Tweet by Val Mendoza showing image of a set of 5 cosmetic brushes, Dec. 8, 2015, 9 pages. [URL] <https://twitter.com/rval78>.

\* cited by examiner

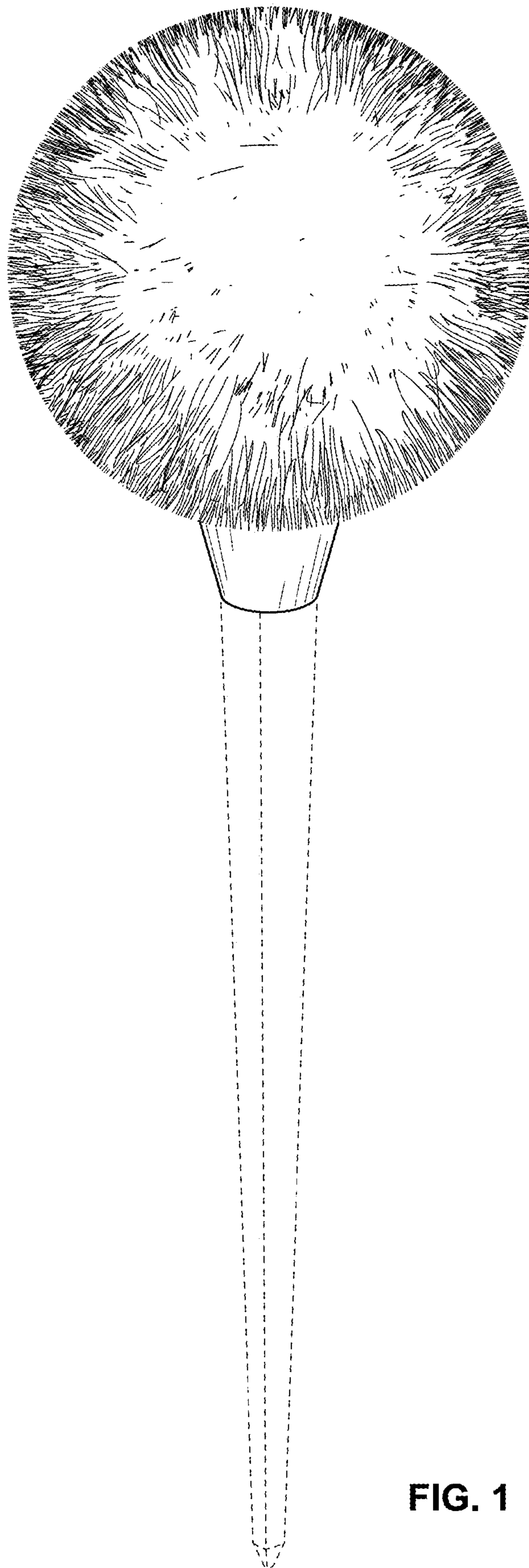


FIG. 1

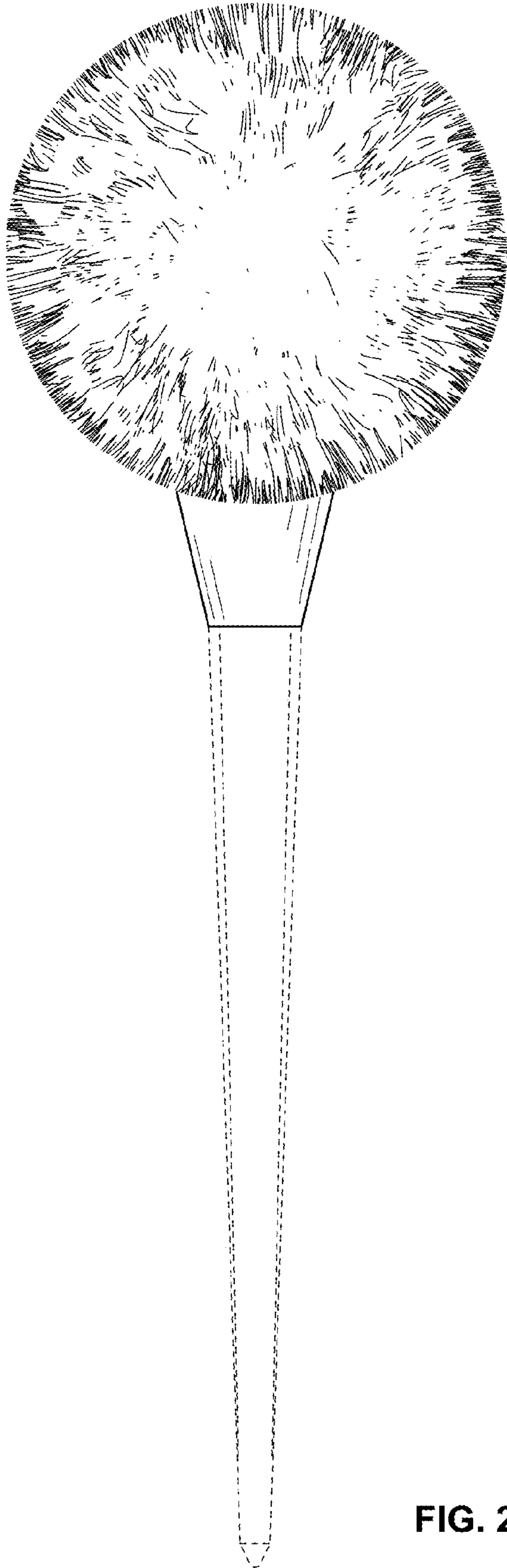


FIG. 2

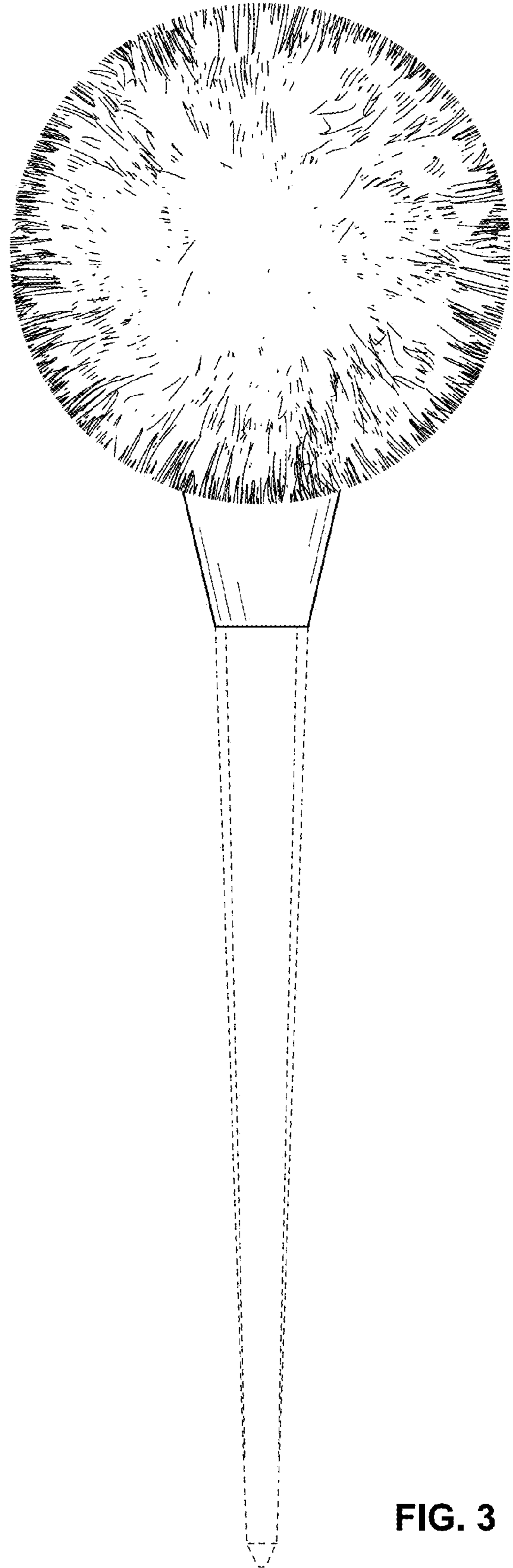


FIG. 3

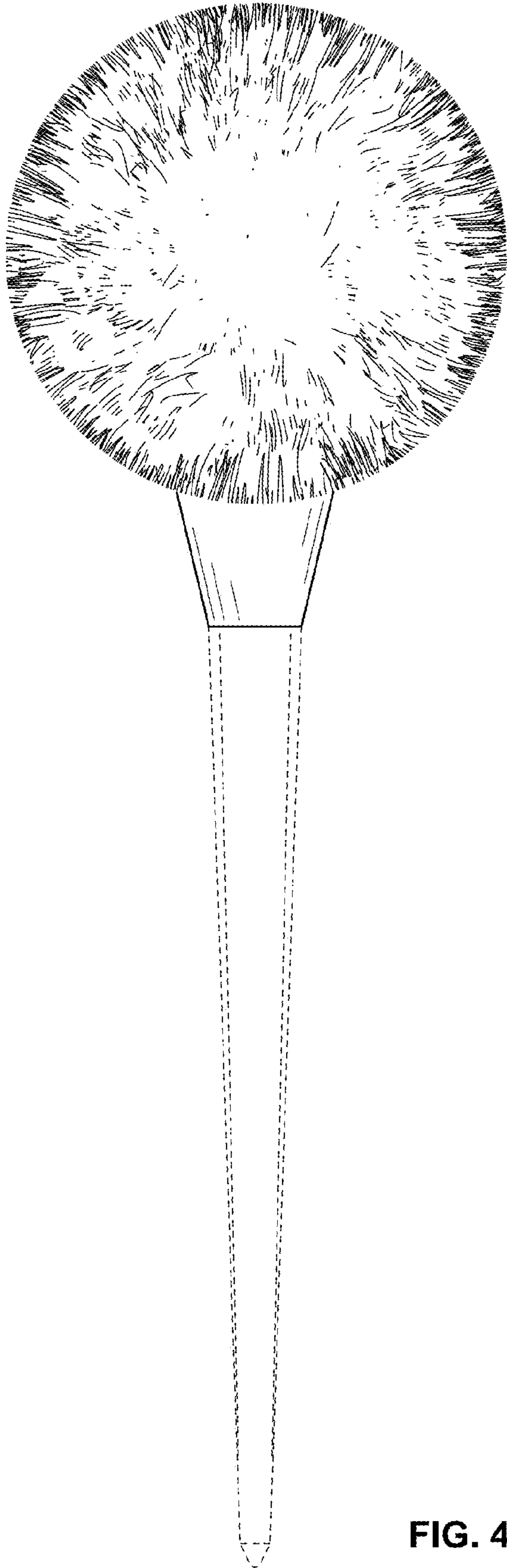


FIG. 4

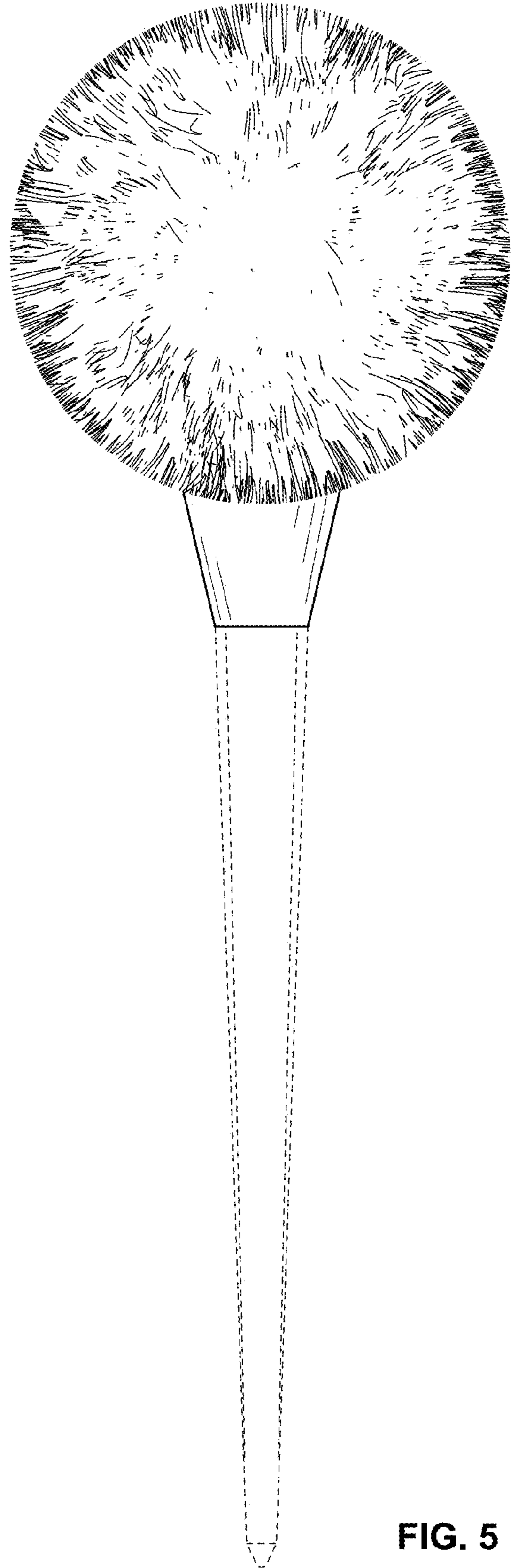
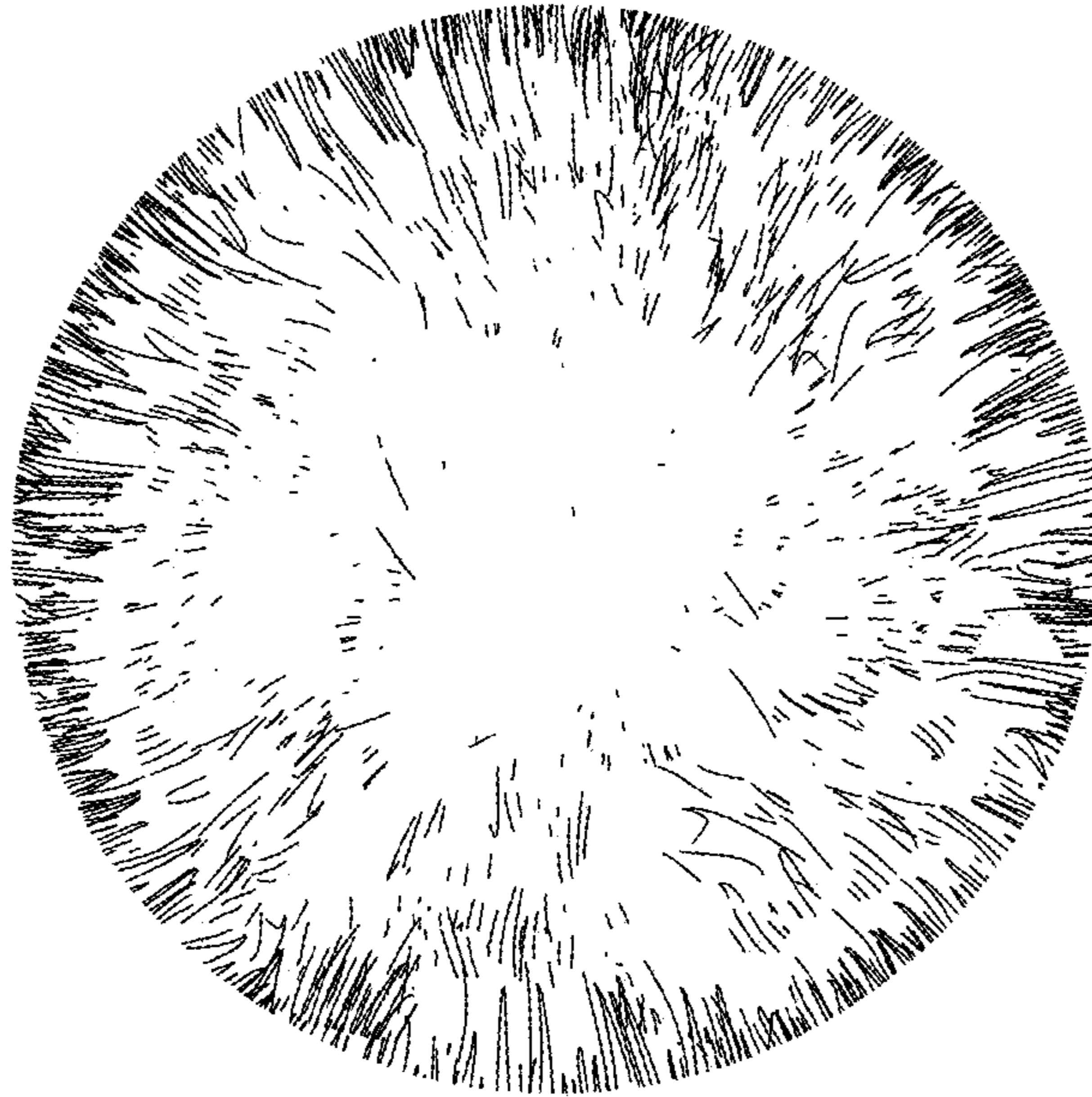
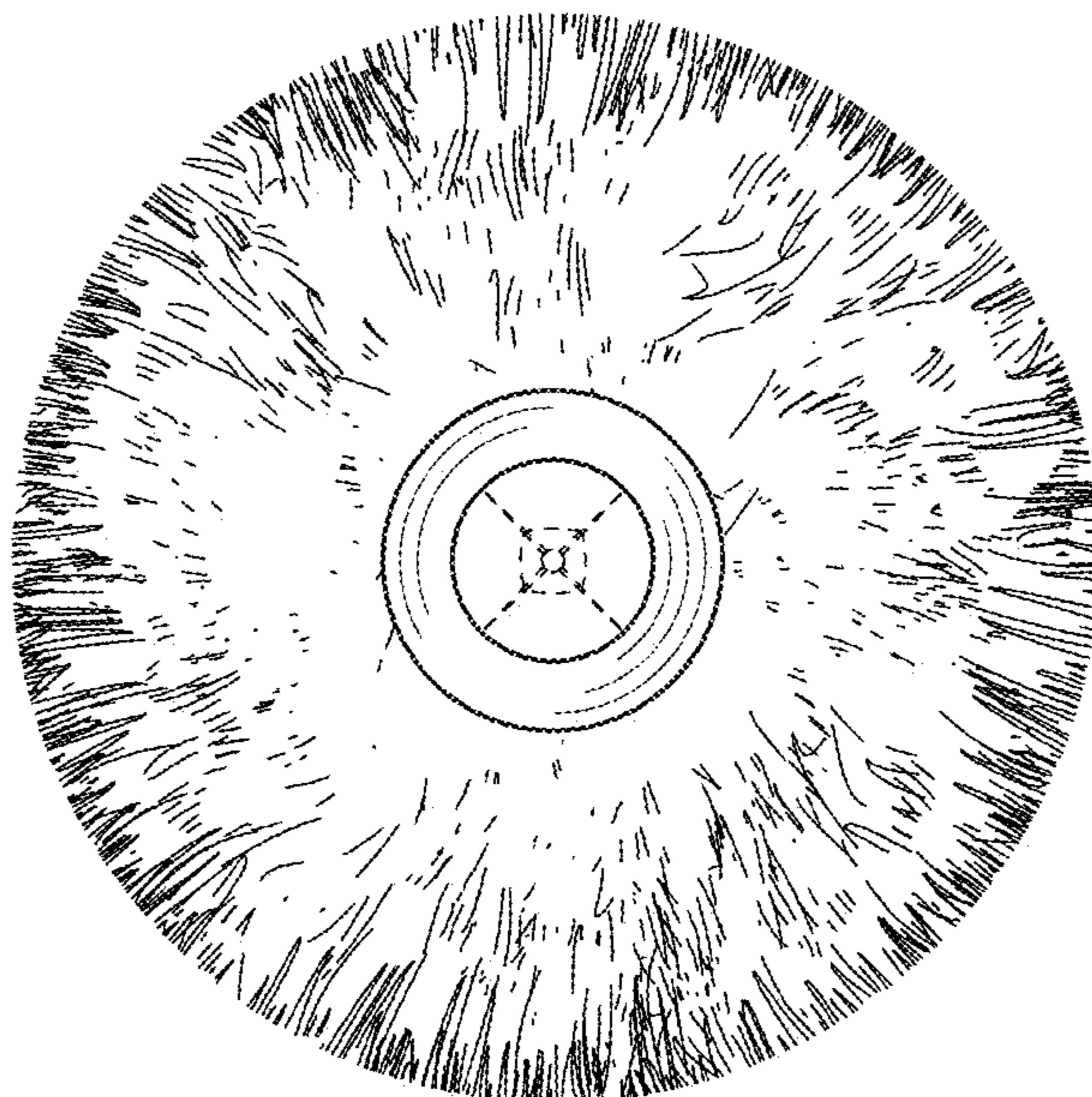


FIG. 5



**FIG. 6**



**FIG. 7**