



US00D905434S

(12) **United States Design Patent** (10) **Patent No.:** **US D905,434 S**
Tsuji (45) **Date of Patent:** **** Dec. 22, 2020**

(54) **TOOTHBRUSH** 5,711,759 A * 1/1998 Smith A61J 17/006
601/139
(71) Applicant: **YUMESHOKUNIN CO., LTD**, Osaka D428,704 S * 8/2000 Wildman D4/107
(JP) D435,346 S * 12/2000 Safieh D4/107
D589,261 S * 3/2009 Nanda D4/107
(72) Inventor: **Yohei Tsuji**, Minoo (JP) D676,664 S * 2/2013 Xi D4/107
8,572,794 B2 * 11/2013 Pate A46B 9/045
15/167.1
(73) Assignee: **YUMESHOKUNIN CO., LTD.**, Minoo D706,034 S * 6/2014 Blachford D4/107
(JP) D747,882 S * 1/2016 Blachford D4/107
D775,837 S * 1/2017 Tsuji D4/104
(**) Term: **15 Years** D857,397 S * 8/2019 Sohn D4/101
2003/0183242 A1 * 10/2003 Kemp A46B 5/00
132/311
(21) Appl. No.: **35/506,192** 2003/0213075 A1 * 11/2003 Hui A61C 17/225
15/22.1
(22) Filed: **Jun. 1, 2018**

(80) **Hague Agreement Data**

Int. Filing Date: **Jun. 1, 2018**
Int. Reg. No.: **DM/101877**
Int. Reg. Date: **Jun. 1, 2018**
Int. Reg. Pub. Date: **Dec. 7, 2018**

* cited by examiner

Primary Examiner — Rhea Shields
(74) *Attorney, Agent, or Firm* — Muncy, Geissler, Olds & Lowe, P.C.

(30) **Foreign Application Priority Data**

Dec. 14, 2017 (JP) 2017-027977

(51) **LOC (12) Cl.** **04-02**

(52) **U.S. Cl.**
USPC **D4/107**

(58) **Field of Classification Search**
USPC D4/107, 104, 101
CPC A46B 5/00; A46B 9/045; A46B 5/0095;
A61C 17/225; A61J 17/006
See application file for complete search history.

(56) **References Cited**

U.S. PATENT DOCUMENTS

D301,937 S * 7/1989 Thompson D4/104
5,571,140 A * 11/1996 Gura-Emerling A46B 5/0095
15/167.1

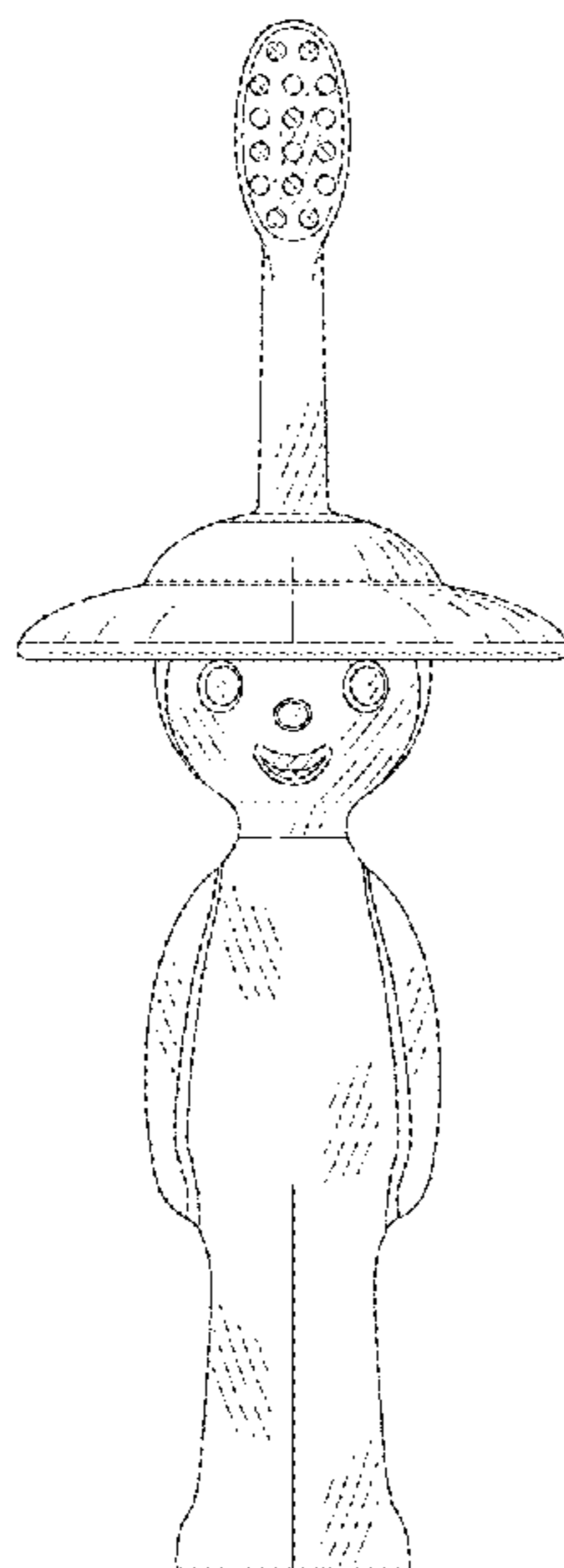
(57) **CLAIM**

The ornamental design for a toothbrush, as shown and described.

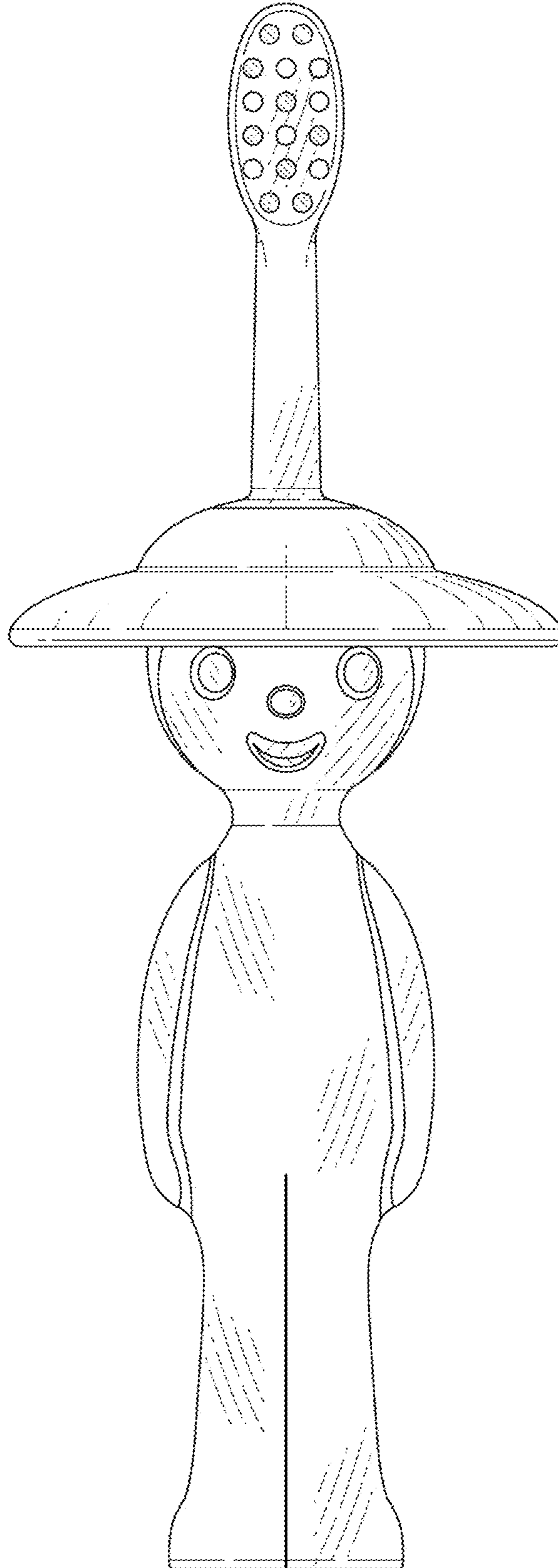
DESCRIPTION

1.1 is a front side view;
1.2 is a back side view;
1.3 is a left side view;
1.4 is a right side view;
1.5 is a top plan view; and
1.6 is a bottom plan view.
In the reproductions, the broken lines are for the purpose of illustrating portions of the toothbrush that form no part of the claimed design.

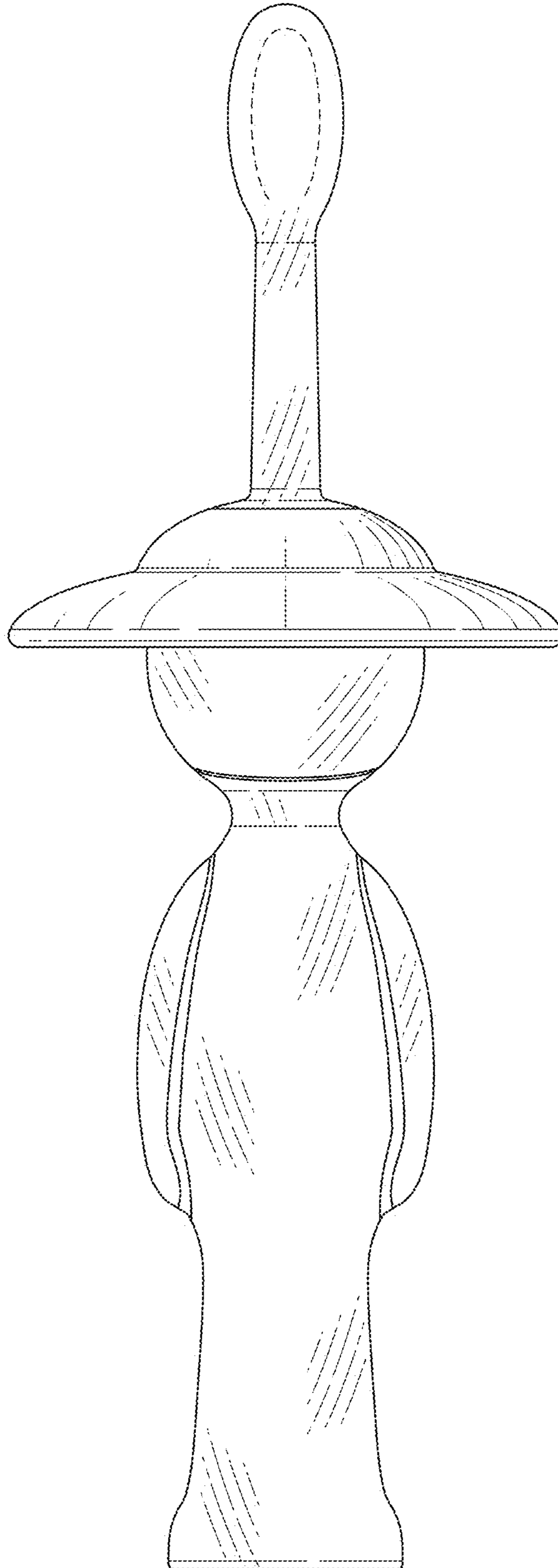
1 Claim, 6 Drawing Sheets



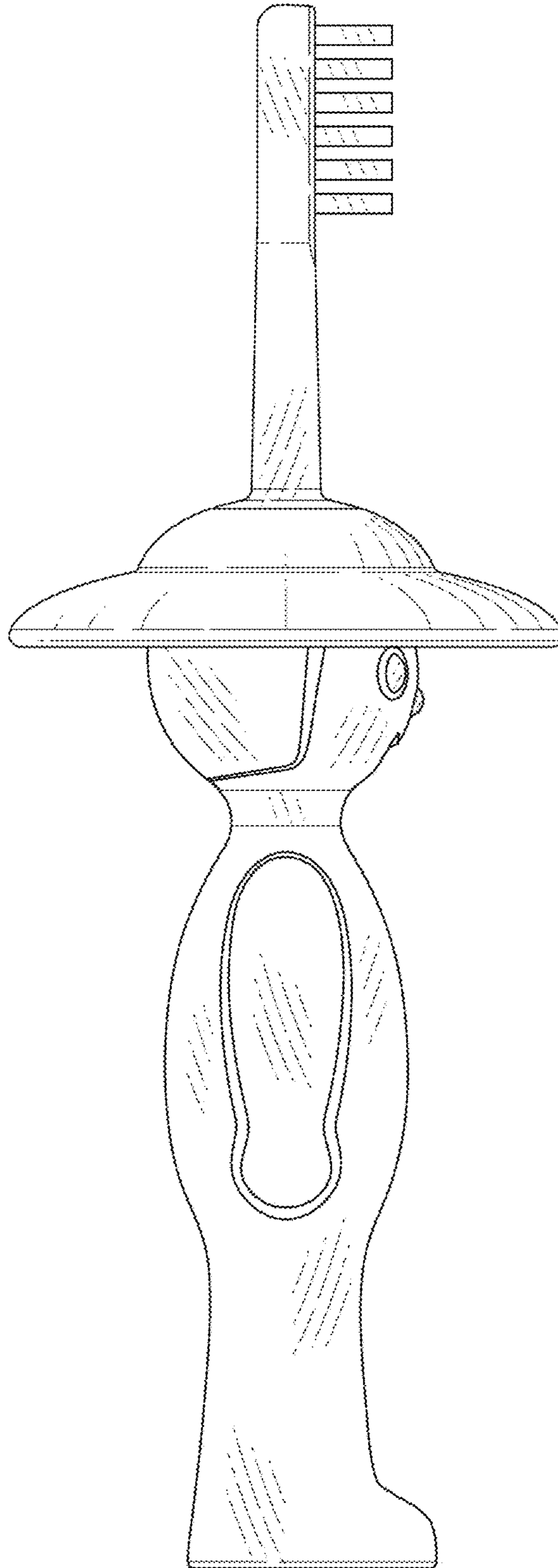
1.1



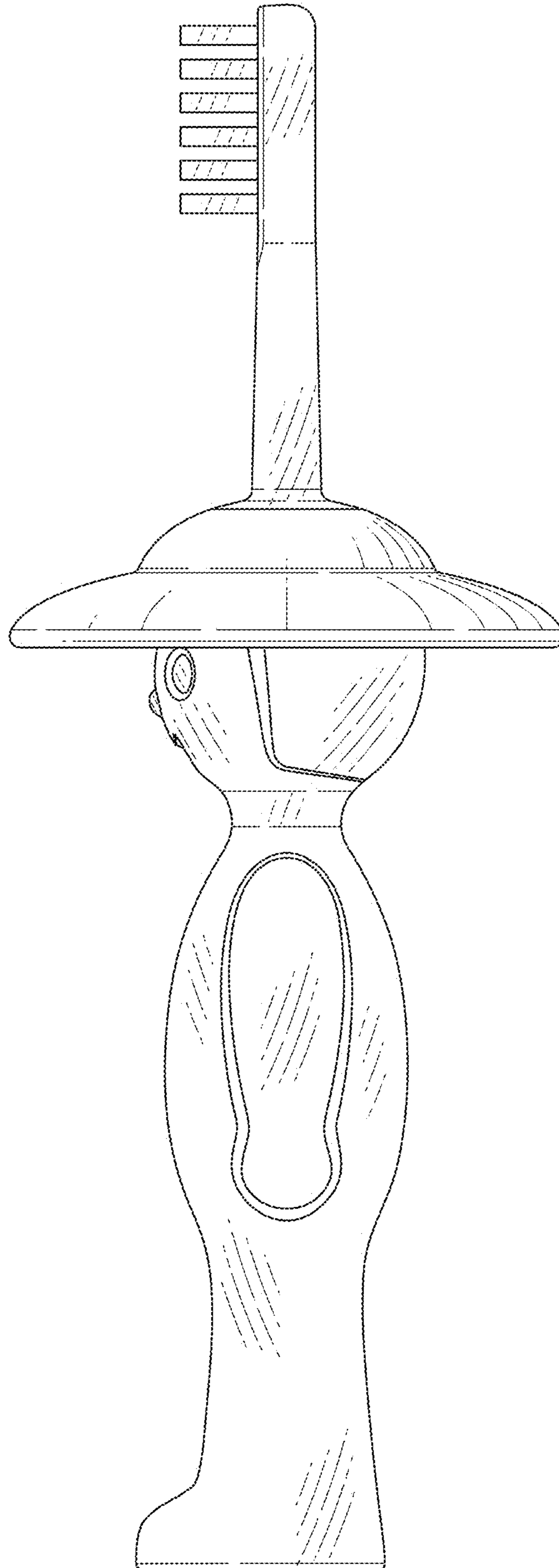
1.2



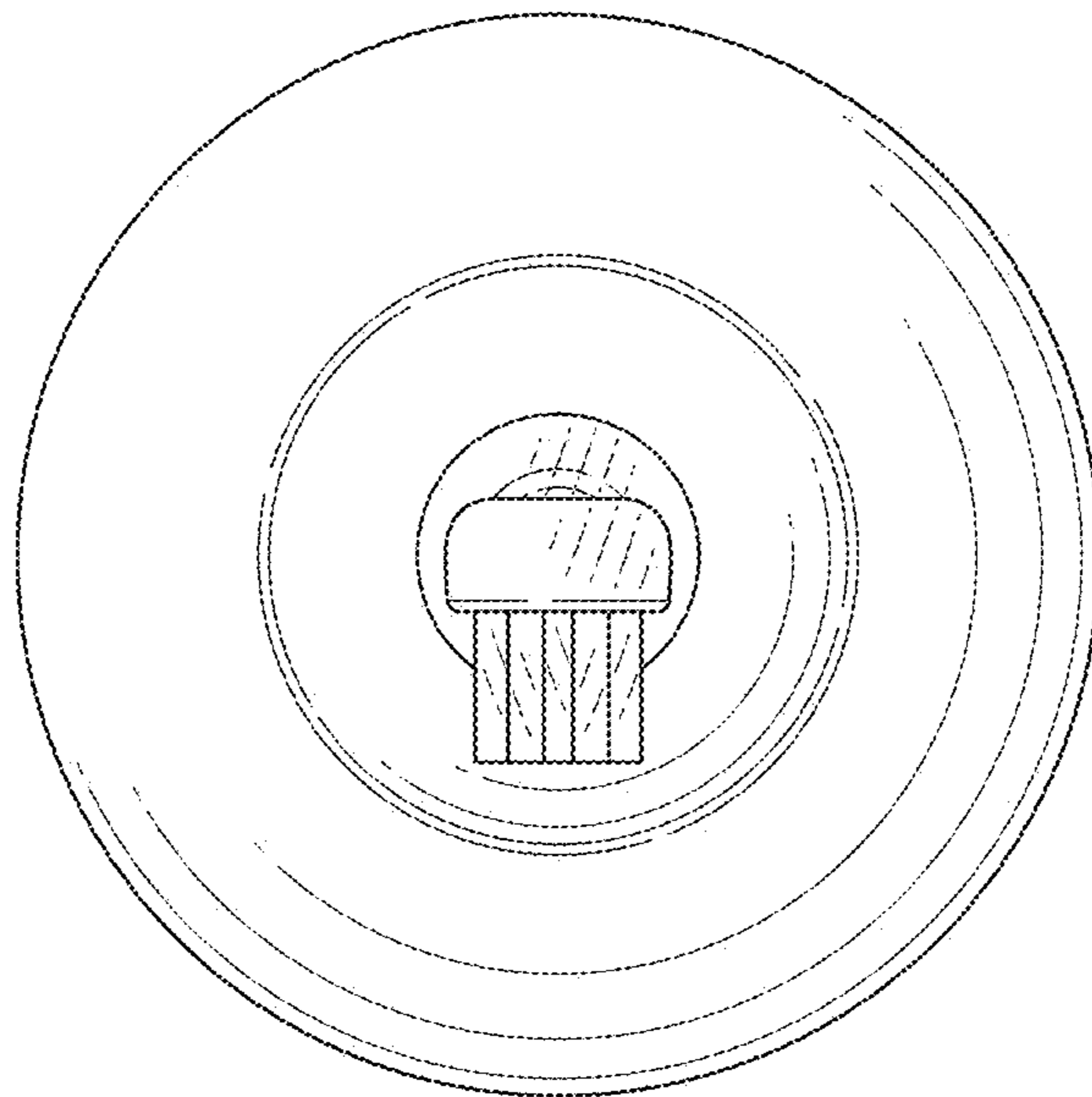
1.3



1.4



1.5



1.6

