



US00D905432S

(12) **United States Design Patent** (10) **Patent No.:** **US D905,432 S**  
**Liu** (45) **Date of Patent:** **\*\* Dec. 22, 2020**

(54) **LAPTOP BAG**

(71) Applicant: **SHENZHEN TOMTOC TECHNOLOGY CO., LTD,**  
Guangdong (CN)

(72) Inventor: **Yubo Liu,** Guangdong (CN)

(73) Assignee: **SHENZHEN TOMTOC TECHNOLOGY CO., LTD,** Shenzhen (CN)

(\*\*) Term: **15 Years**

(21) Appl. No.: **29/661,056**

(22) Filed: **Aug. 24, 2018**

(30) **Foreign Application Priority Data**

May 8, 2018 (CN) ..... 2018 3 0202940

(51) **LOC (12) Cl.** ..... **03-01**

(52) **U.S. Cl.**  
USPC ..... **D3/301**

(58) **Field of Classification Search**  
USPC ..... D3/201, 205, 242, 273, 274, 275, 276,  
D3/279, 281, 282, 283, 284, 289, 292,  
D3/294, 295, 296, 297, 299, 301, 302,  
D3/901, 903, 905  
CPC ..... A45C 5/04; A45C 11/00; A45C 11/16  
See application file for complete search history.

(56) **References Cited**

**U.S. PATENT DOCUMENTS**

D396,750 S \* 8/1998 Slater ..... D3/284  
D407,432 S \* 3/1999 Tell ..... D19/26  
D472,706 S \* 4/2003 Hassett ..... D3/218

D632,079 S \* 2/2011 Spencer ..... D3/301  
D748,915 S \* 2/2016 Reyes ..... D3/301  
D799,824 S \* 10/2017 Cole ..... D3/301  
D808,168 S \* 1/2018 Turczynskyj ..... D3/301  
D822,996 S \* 7/2018 Ehara ..... D3/301  
D857,391 S \* 8/2019 Coleman ..... D3/301

\* cited by examiner

*Primary Examiner* — Holly E Thurman

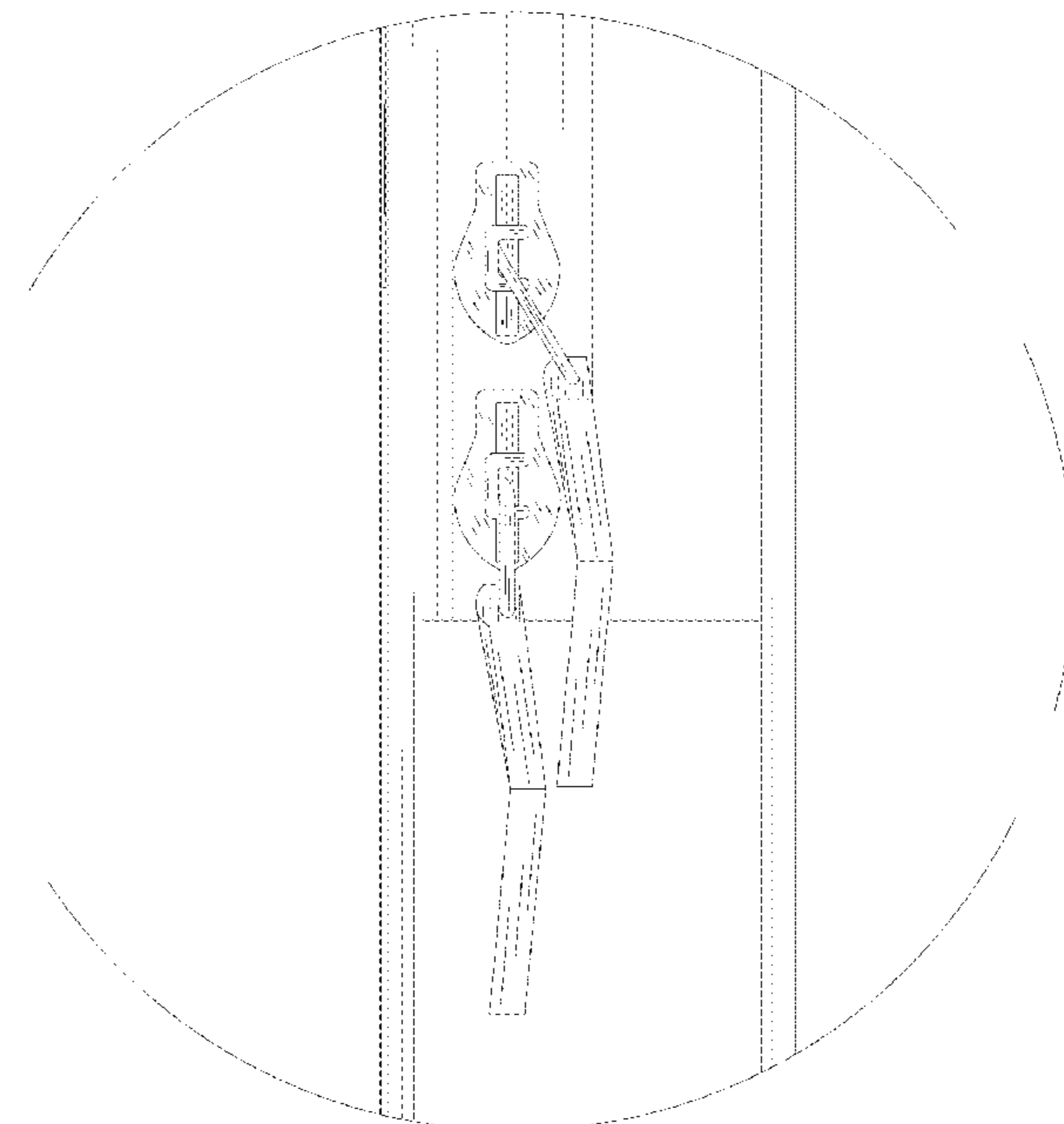
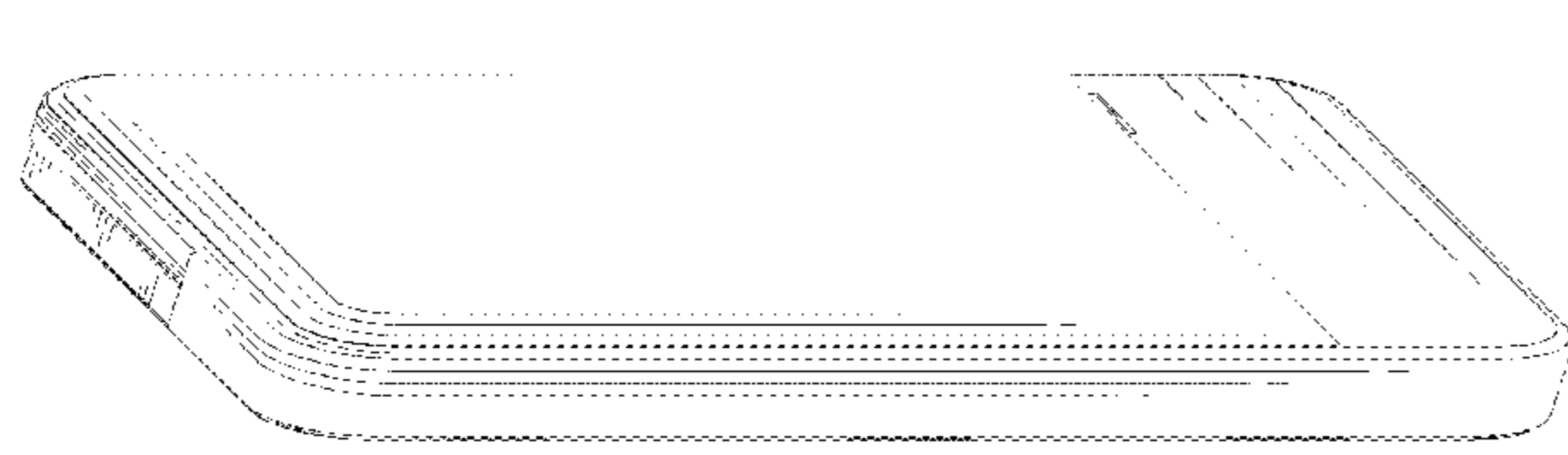
(57) **CLAIM**

The ornamental design for a laptop bag, as shown and described.

**DESCRIPTION**

FIG. 1 is a perspective view of a laptop bag showing my new design;  
FIG. 2 is a front elevational view thereof;  
FIG. 3 is a rear elevational view thereof;  
FIG. 4 is a left side view thereof;  
FIG. 5 is a right side view thereof;  
FIG. 6 is a top plan view thereof;  
FIG. 7 is a bottom plan view thereof;  
FIG. 8 is an enlarged view of portion 8 in FIG. 2;  
FIG. 9 is an enlarged view of portion 9 in FIG. 5;  
FIG. 10 is an enlarged view of portion 10 in FIG. 6; and,  
FIG. 11 is an enlarged view of portion 11 in FIG. 7.

**1 Claim, 11 Drawing Sheets**



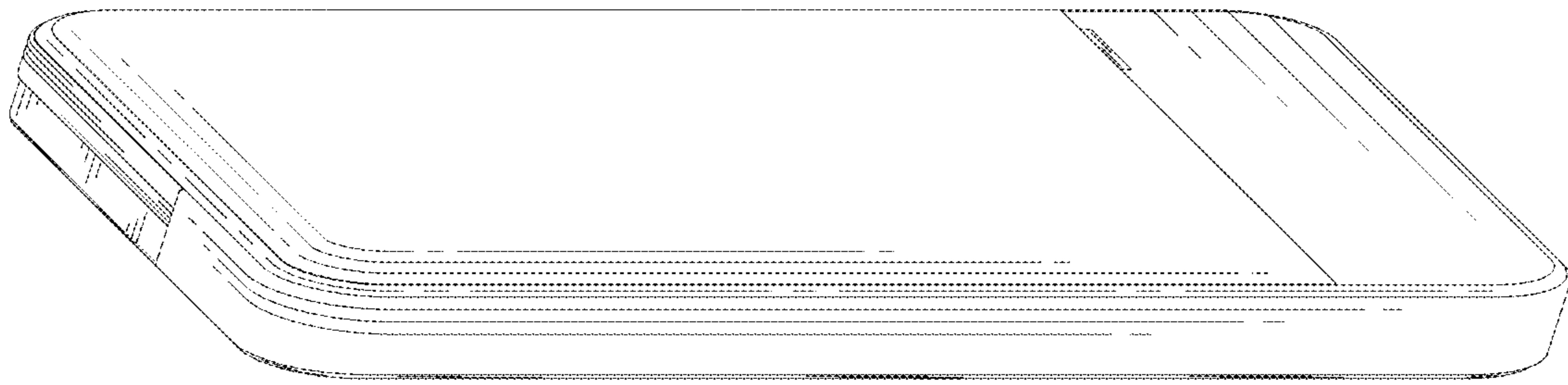


FIG. 1

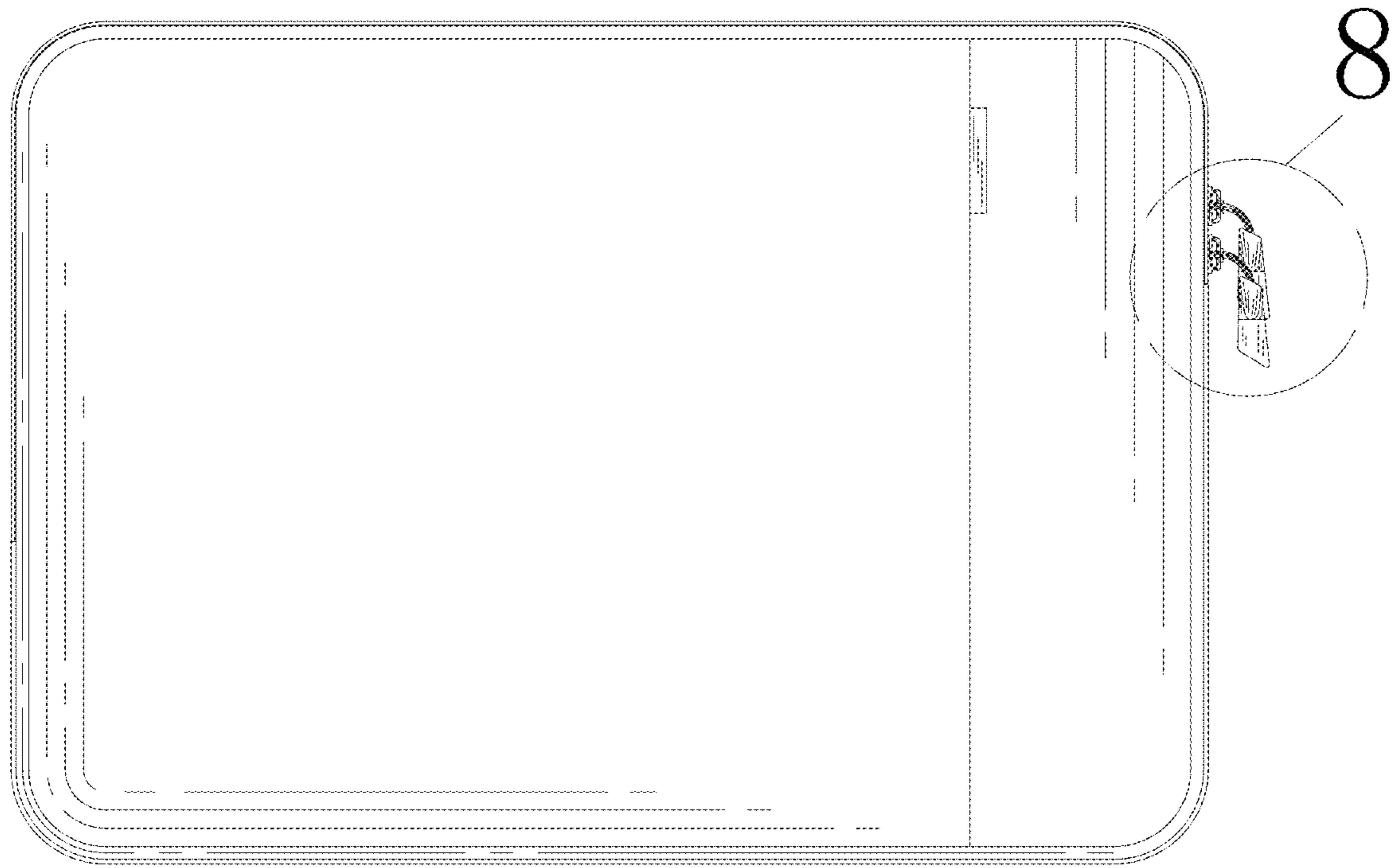


FIG. 2

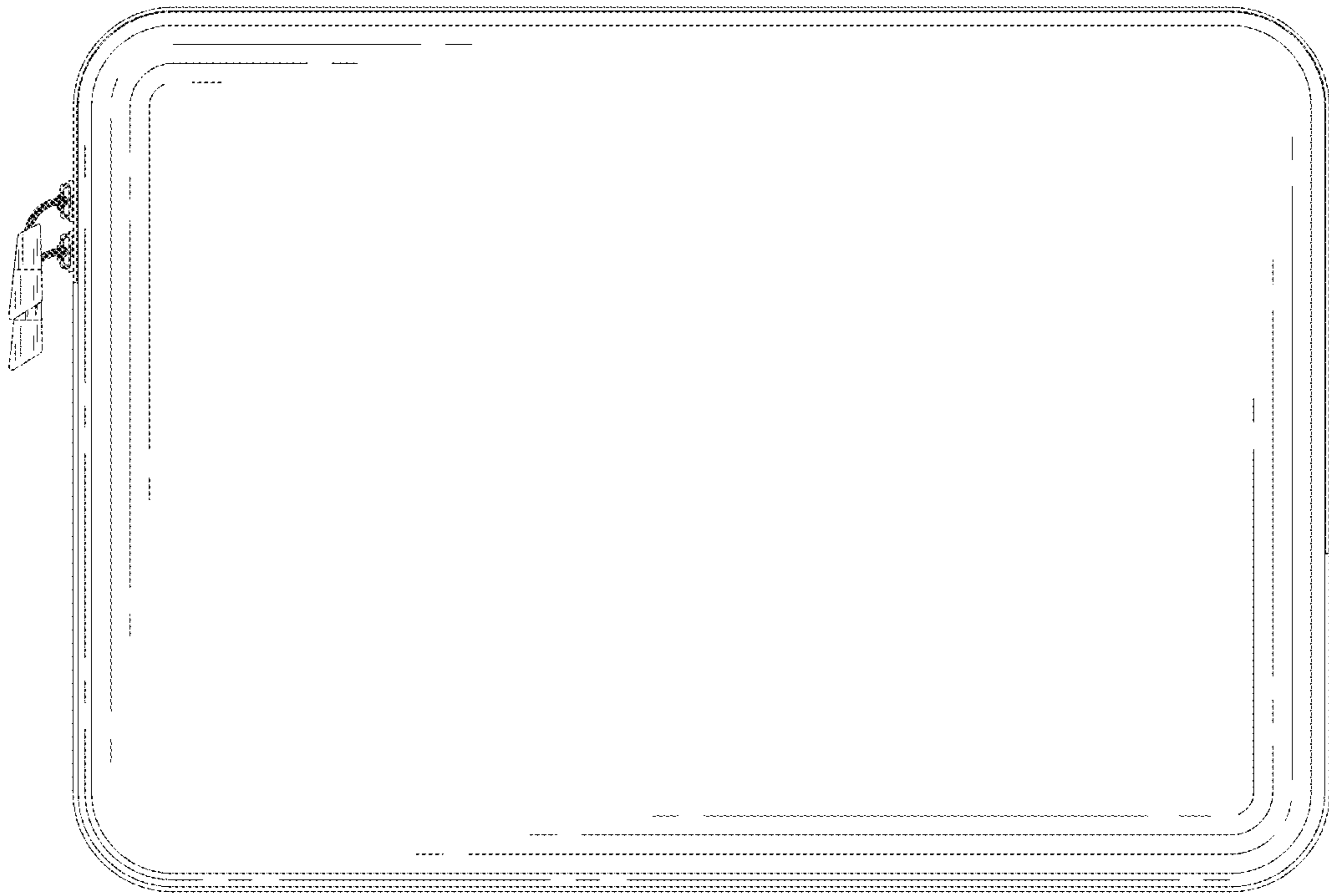


FIG. 3

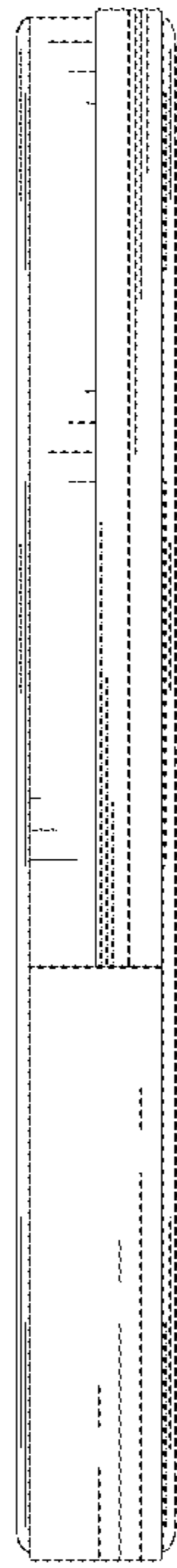


FIG. 4

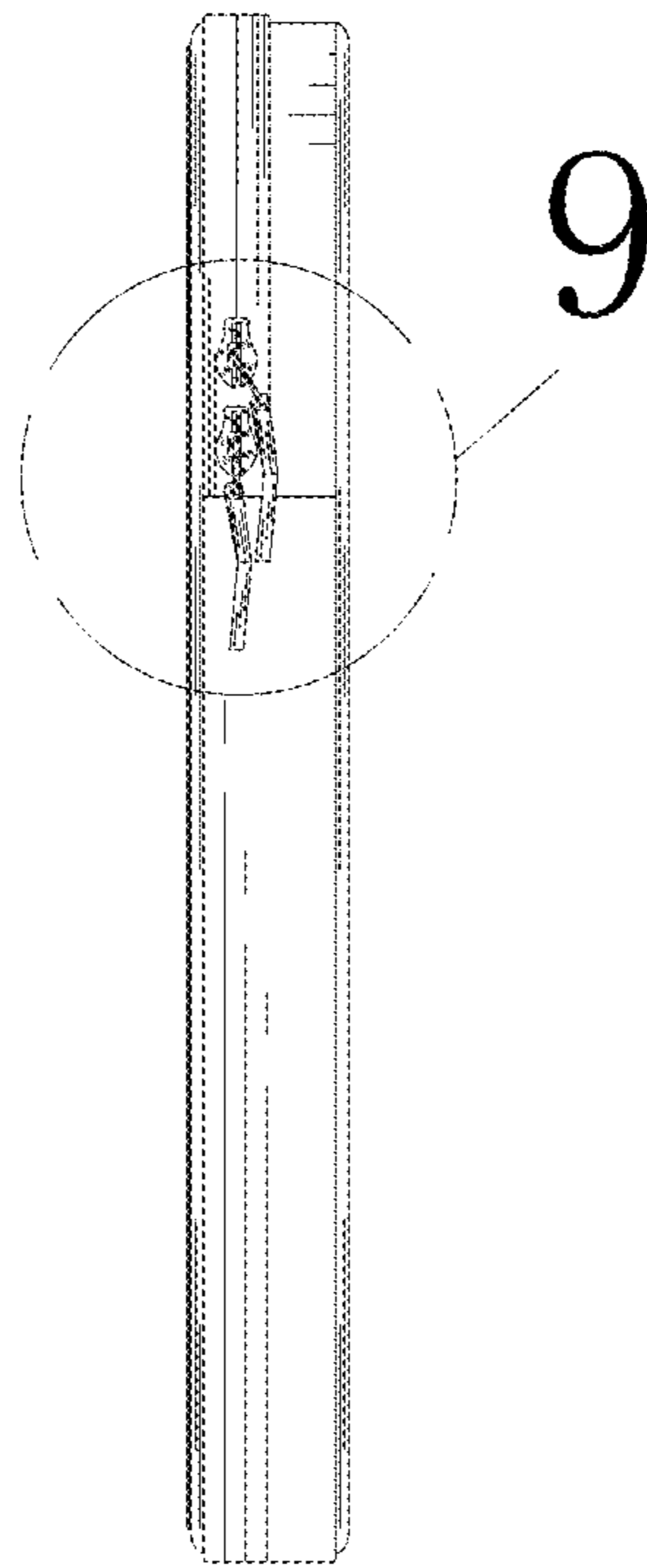


FIG. 5

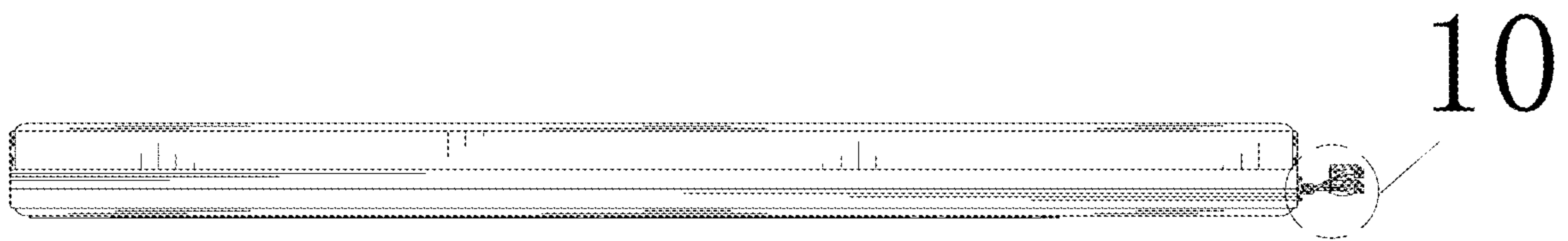


FIG. 6

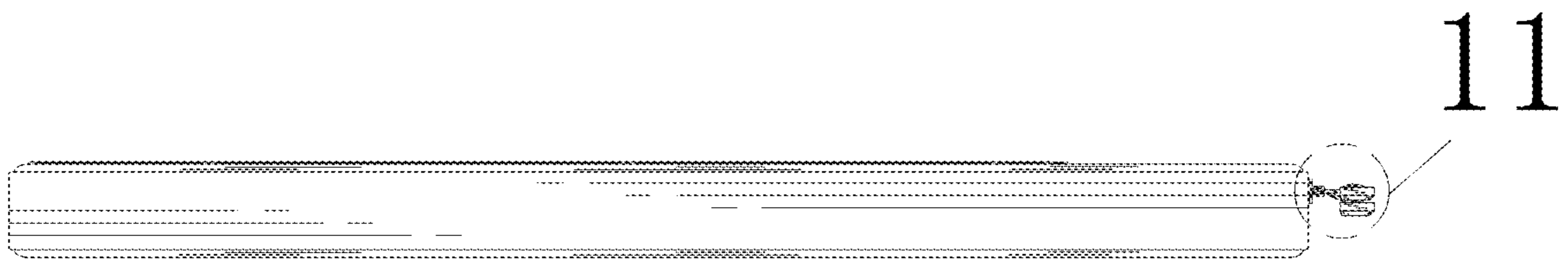


FIG. 7





FIG. 8

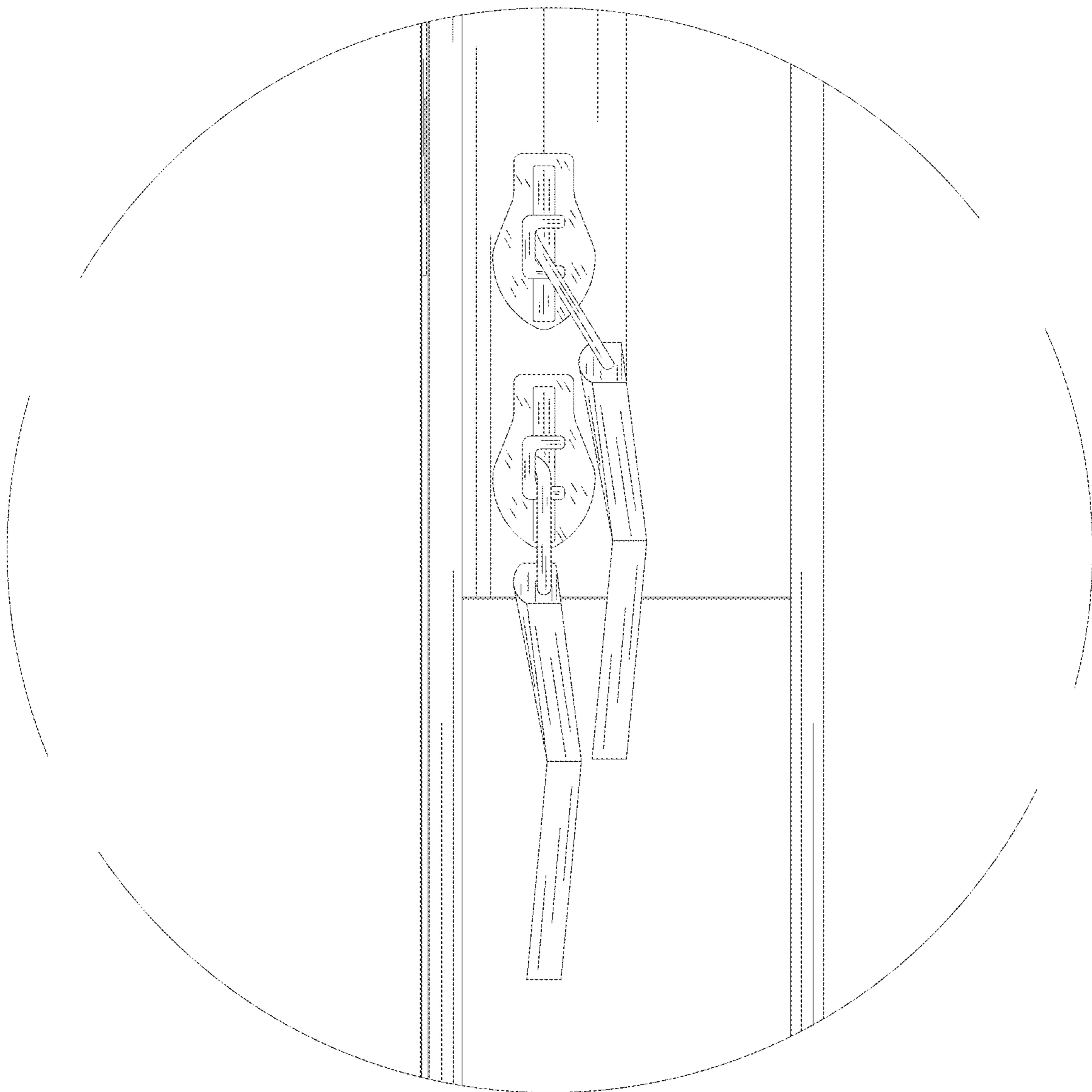


FIG. 9

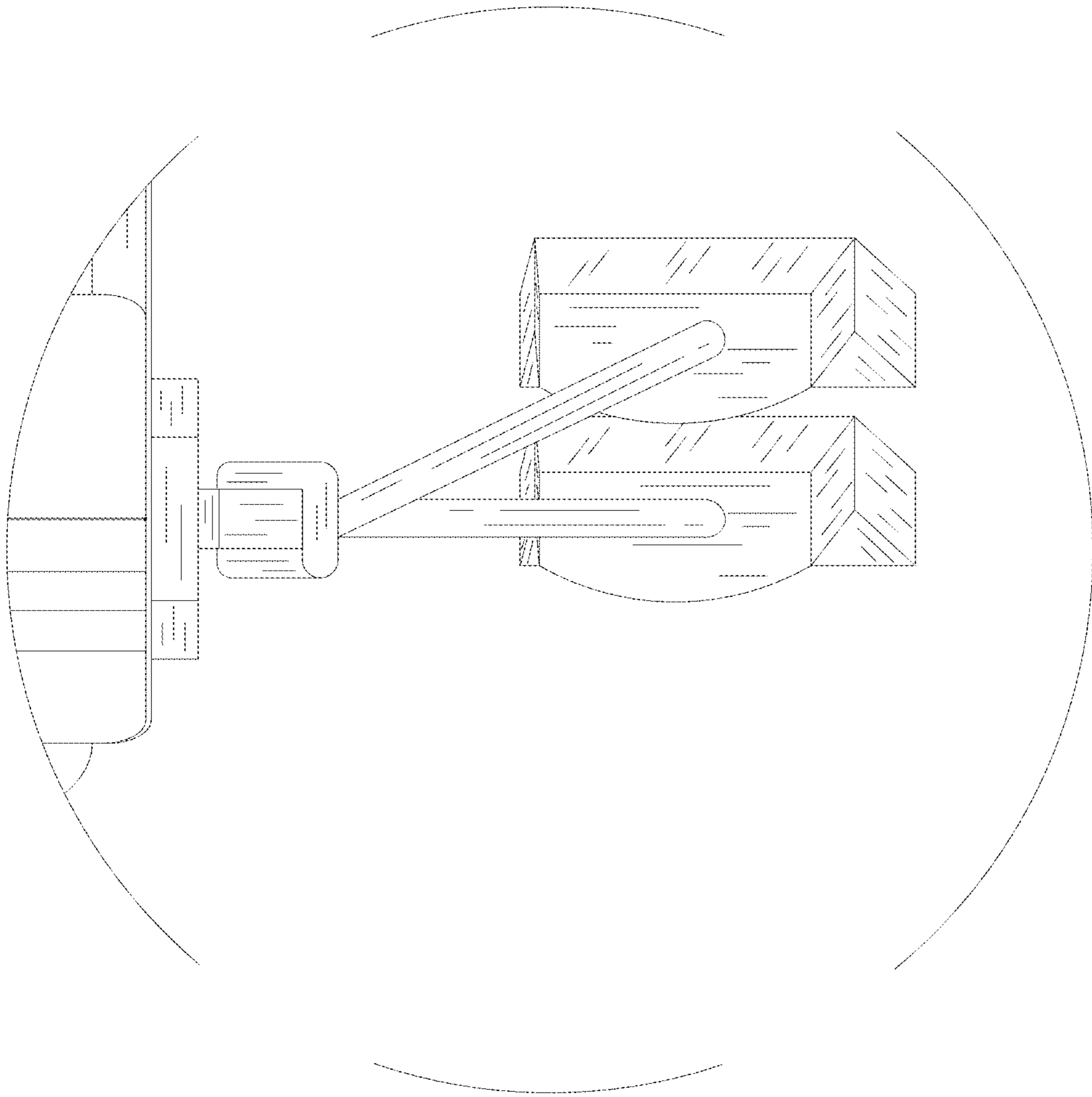


FIG. 10

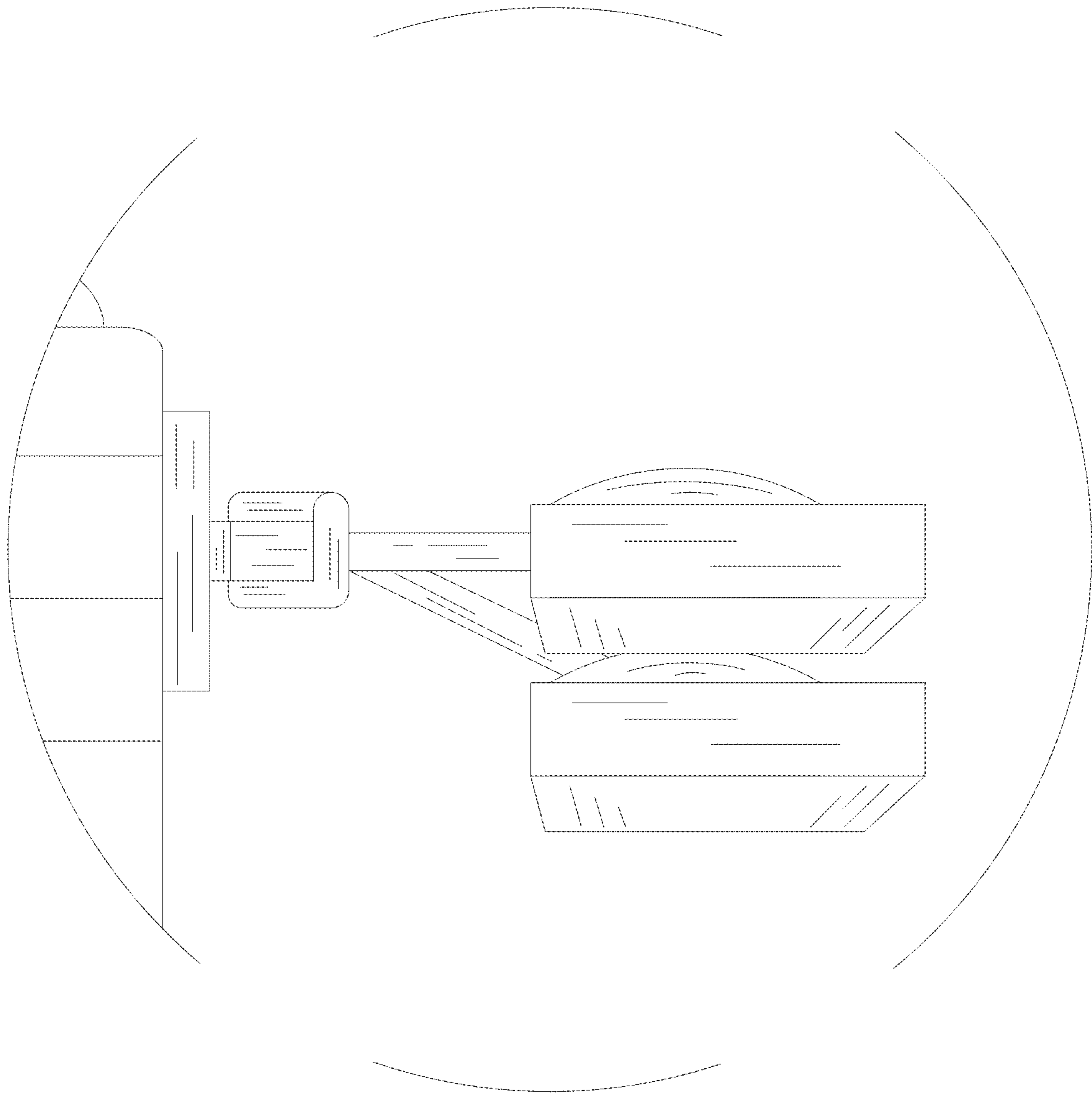


FIG. 11