



US00D905430S

(12) **United States Design Patent** (10) **Patent No.:** **US D905,430 S**  
**Kwak et al.** (45) **Date of Patent:** **\*\* Dec. 22, 2020**

(54) **CASE FOR EARPHONES**  
(71) Applicant: **SPIGEN KOREA CO., LTD.**, Seoul (KR)

D676,654 S 2/2013 Weremchuk et al.  
D721,694 S 1/2015 Lee et al.  
D734,760 S 7/2015 Brunner et al.  
(Continued)

(72) Inventors: **Jung Hun Kwak**, Seoul (KR); **Eun Hee Koo**, Seoul (KR)

**OTHER PUBLICATIONS**

(73) Assignee: **SPIGEN KOREA CO., LTD.**, Seoul (KR)

Caseology Vault for Apple AirPods Pro Case (2019)—Matte Black, posted at amazon.com, available Jan. 1, 2020, retrieved Apr. 21, 2020, online, URL: [https://www.amazon.com/Caseology-Vault-Apple-Airpods-Case/dp/B07ZZZXD63/ref=psdc\\_2267281011\\_t2\\_B07ZPG8RYV?th=1](https://www.amazon.com/Caseology-Vault-Apple-Airpods-Case/dp/B07ZZZXD63/ref=psdc_2267281011_t2_B07ZPG8RYV?th=1) (Year: 2020).\*

(\*\*) Term: **15 Years**

(Continued)

(21) Appl. No.: **29/714,902**

(22) Filed: **Nov. 26, 2019**

*Primary Examiner* — Lilyana Bekic

(51) **LOC (12) Cl.** ..... **03-01**

*Assistant Examiner* — Mary Shannon Malley

(52) **U.S. Cl.**

(74) *Attorney, Agent, or Firm* — Heedong Chae; Lucem, PC

USPC ..... **D3/273**

(58) **Field of Classification Search**

(57) **CLAIM**

USPC ..... D3/201, 203.1, 204, 205, 207–208, 212, D3/215, 218, 269, 273–274, 276, 283, D3/284, 294–300, 302, 303, 315, 901, D3/903; D9/414, 418, 420, 430, 432; D28/66, 73, 76, 78, 91; D14/188, 201, D14/204, 205, 209.1, 217, 250, 251, 440, D14/447

The ornamental design for a case for earphones, as shown and described.

CPC ... A45C 13/002; A45C 13/005; A45C 13/025; A45C 2011/001; A45C 2011/002; A45C 2011/003

**DESCRIPTION**

See application file for complete search history.

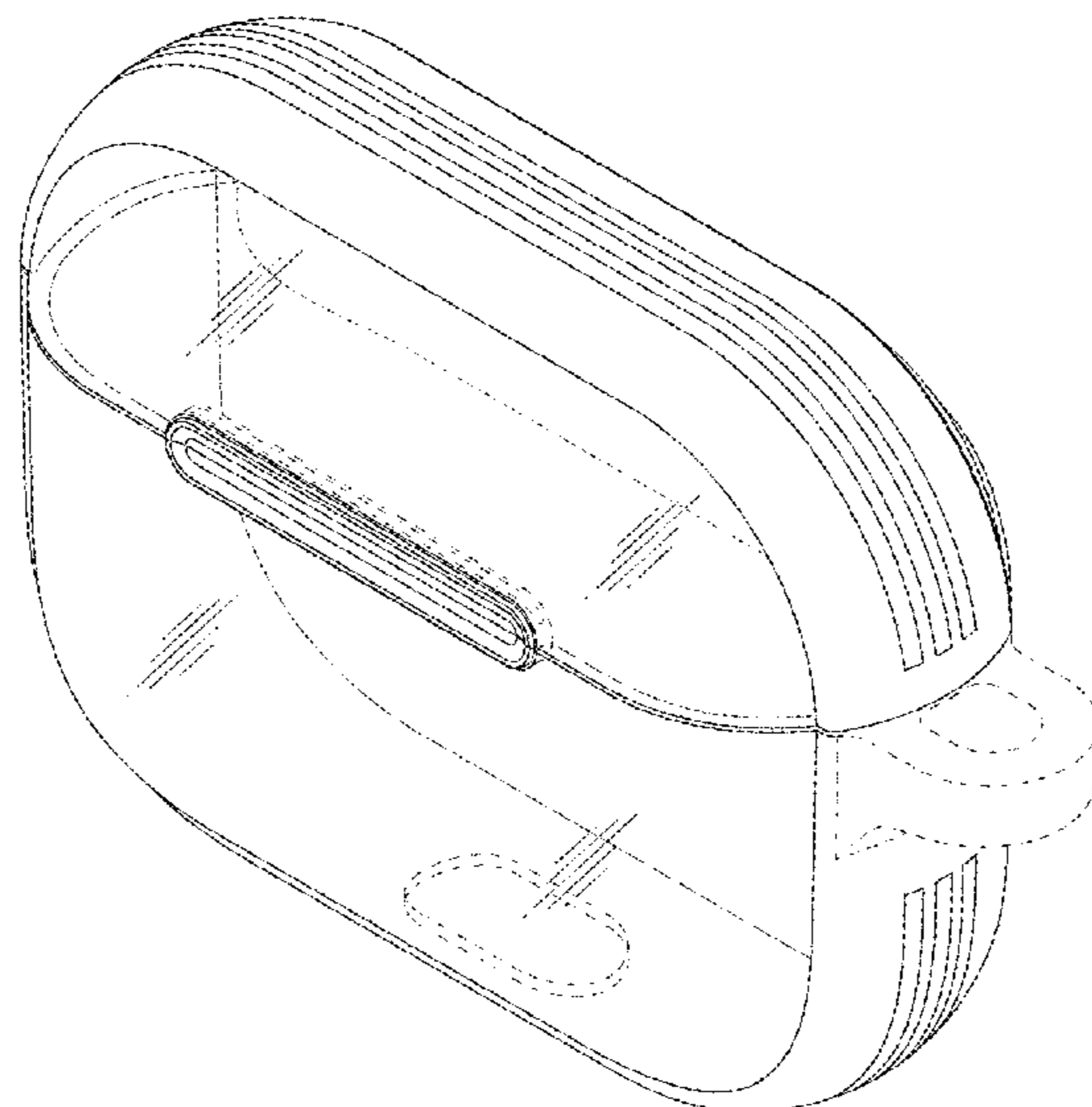
FIG. 1 is a front perspective view of a case for earphones showing my new design;  
FIG. 2 is a rear perspective view thereof;  
FIG. 3 is a front elevational view thereof;  
FIG. 4 is a rear elevational view thereof;  
FIG. 5 is a left side elevational view thereof;  
FIG. 6 is a right side elevational view thereof;  
FIG. 7 is a top plan view thereof;  
FIG. 8 is a bottom plan view thereof; and,  
FIG. 9 is an exploded front perspective view of the case showing the components separated for clarity of disclosure. The oblique shade lines throughout the figures show transparency or translucency. The broken lines throughout the drawing figures depict portions of the case for earphones that form no part of the claimed design.

(56) **References Cited**

**U.S. PATENT DOCUMENTS**

D259,596 S	6/1981	Gray	
D354,848 S	* 1/1995	Lovell .....	D28/77
D452,611 S	1/2002	Redgrave	
D475,696 S	6/2003	Hussaini et al.	
D586,557 S	2/2009	Jalet	
D604,501 S	11/2009	Lee	
D614,048 S	4/2010	Smith	
D636,598 S	4/2011	Tseng et al.	

**1 Claim, 9 Drawing Sheets**



(56)

References Cited

U.S. PATENT DOCUMENTS

D738,110 S 9/2015 Jiang et al.  
 D740,018 S 10/2015 Zhang et al.  
 D756,626 S 5/2016 Tollefsbol et al.  
 D757,703 S 5/2016 Kanazawa  
 D761,773 S 7/2016 Choi et al.  
 D762,204 S 7/2016 Armstrong et al.  
 D776,105 S 1/2017 Han  
 D784,311 S 4/2017 Yoon  
 D791,754 S 7/2017 Armstrong et al.  
 D792,877 S 7/2017 Kim et al.  
 D794,617 S 8/2017 Wright et al.  
 D794,618 S 8/2017 Wright et al.  
 D806,388 S 1/2018 Akana et al.  
 D807,335 S 1/2018 Kitade  
 D808,375 S 1/2018 Kim et al.  
 D808,376 S 1/2018 Kim  
 D812,600 S 3/2018 Altaras  
 D812,618 S 3/2018 Altaras  
 D813,217 S 3/2018 Kim  
 D813,909 S 3/2018 Lacy-Nichols  
 D815,082 S 4/2018 Kim  
 D816,651 S 5/2018 Chiang et al.  
 D817,640 S 5/2018 Dang et al.  
 D823,246 S 7/2018 Lin  
 D823,293 S 7/2018 Kim et al.  
 D823,296 S 7/2018 Kim et al.  
 D826,152 S \* 8/2018 Christiansen ..... D13/108  
 D830,353 S 10/2018 Kim et al.  
 D834,301 S 11/2018 Poissant  
 D835,081 S 12/2018 Luo  
 D836,095 S 12/2018 Kim et al.  
 D838,480 S 1/2019 Son et al.  
 D841,580 S 2/2019 Bao  
 D841,581 S 2/2019 Bonahoom et al.  
 D846,264 S 4/2019 Wu  
 D849,401 S 5/2019 Akana et al.  
 D851,033 S 6/2019 Yuk  
 D853,108 S 7/2019 Zaihui  
 D853,996 S 7/2019 Wild  
 D857,373 S \* 8/2019 Karsenti ..... D3/201  
 D860,933 S 9/2019 Sun  
 D862,425 S 10/2019 Yan  
 D862,435 S 10/2019 Kwak et al.  
 D864,110 S 10/2019 Yoshimura

D864,971 S 10/2019 Lee et al.  
 D865,739 S 11/2019 Altschul et al.  
 D868,453 S 12/2019 Lee et al.  
 D868,465 S 12/2019 Lee et al.  
 D869,147 S 12/2019 Lian  
 D869,161 S \* 12/2019 Zhong ..... D3/294  
 D869,163 S 12/2019 Maguire  
 D870,037 S 12/2019 Lee  
 D870,451 S 12/2019 Birger  
 D872,094 S 1/2020 Wright et al.  
 D872,468 S 1/2020 Lee et al.  
 D872,469 S 1/2020 Lee et al.  
 D872,723 S 1/2020 Lee et al.  
 D872,724 S 1/2020 Lee et al.  
 D873,217 S 1/2020 Zhang  
 D874,826 S \* 2/2020 Zhang ..... D3/303  
 D878,045 S \* 3/2020 Akana ..... D3/274  
 D878,754 S \* 3/2020 Lee ..... D3/270  
 D881,179 S \* 4/2020 Wright ..... D14/250  
 D881,180 S \* 4/2020 Wright ..... D14/250  
 D881,181 S \* 4/2020 Wright ..... D14/250  
 D881,572 S \* 4/2020 Wang ..... D3/294  
 D881,867 S \* 4/2020 Lee ..... D14/250  
 2018/0014104 A1 \* 1/2018 Boesen ..... H04R 1/1025  
 2020/0100573 A1 \* 4/2020 Ekelund ..... A45C 11/00

OTHER PUBLICATIONS

“HALLEAST Compatible AirPods Case Metal Holder Portable Anti-lost Strap 2019 Silicone Case Compatible Apple AirPods 2 & 1, Not for Wireless Charging, Silver”, <https://www.amazon.com/Silicone-LLC-Compatible-Portable-Anti-Lost/dp/B07GLQ22FP>, earliest review date of Sep. 23, 2018, downloaded Jun. 25, 2020.  
 “ORETECH AirPods Case Cover, Heavy Duty Hybrid 2 in 1 Shockproof Full Protective Case Hard PC+Soft Rubber Silicone Skin Cover Accessories Kits for Airpods 1/ Airpods 2—Blue &Black”, <https://www.amazon.com/ORETECH-Shockproof-Protective-Silicone-Accessories/dp/B07RNQZ1GF>, earliest review date of Aug. 4, 2019, downloaded Jun. 25, 2020.  
 “BONTOUJOUR AirPods Case, Creative Suitcase Shape Stripe Surface Silicone Case Cover Protective Skin for Apple AirPods-Orange”, <https://www.amazon.com/BONTOUJOUR-Creative-Suitcase-Protective-AirPods-Orange/dp/B07Q877B8V>, earliest review date of Sep. 21, 2019, downloaded Jun. 25, 2020.

\* cited by examiner

FIG. 1

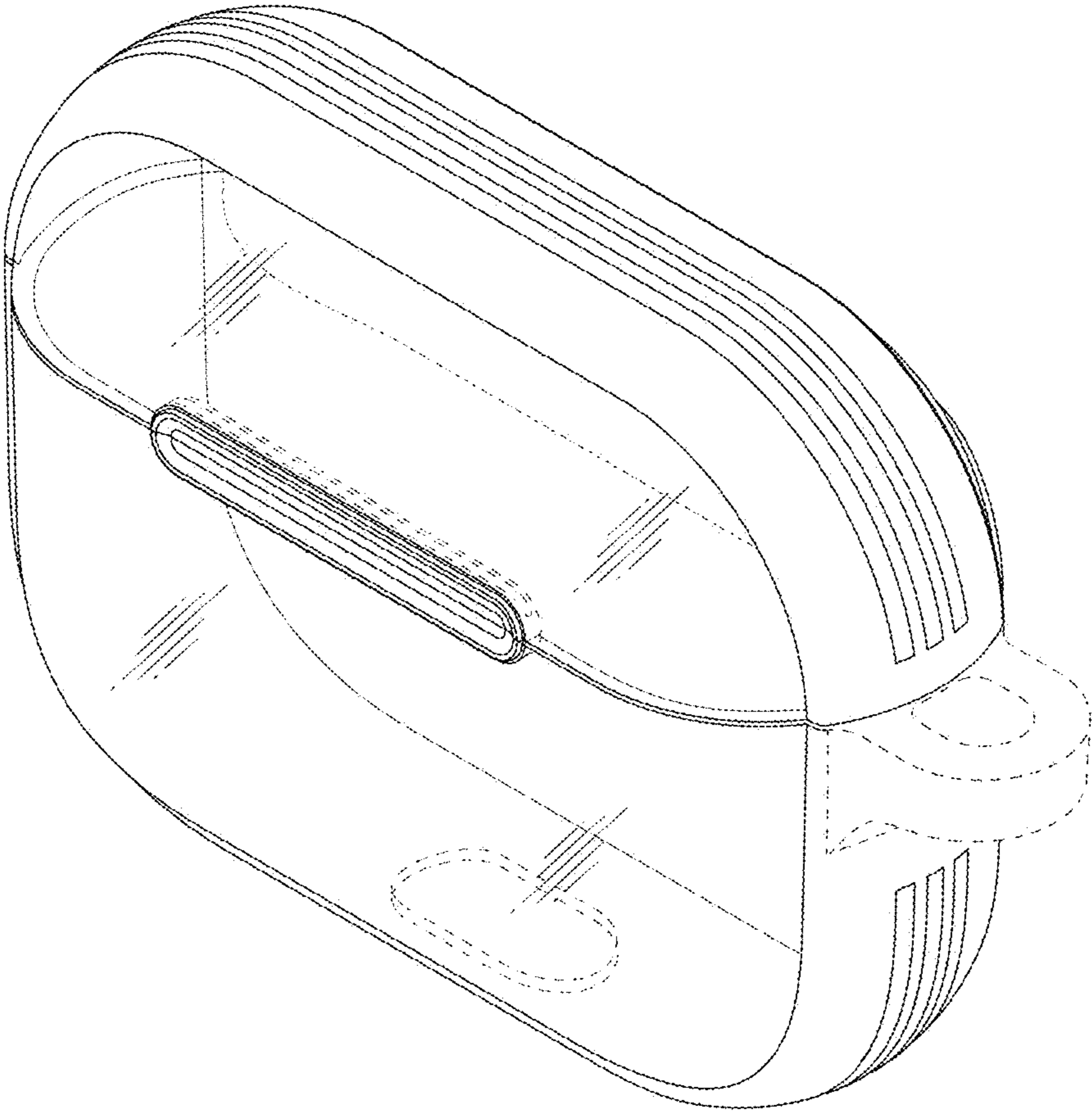


FIG. 2

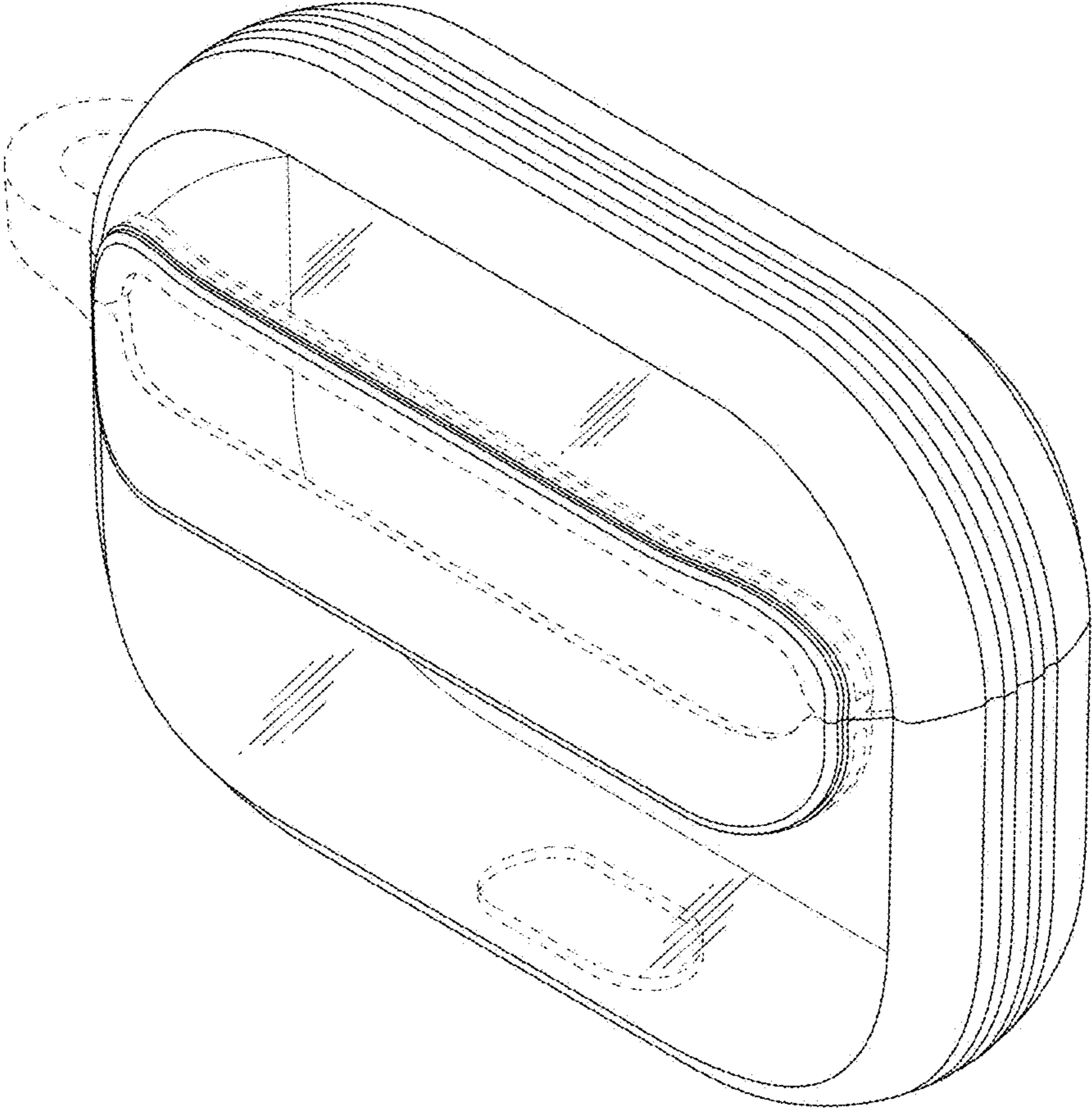


FIG. 3

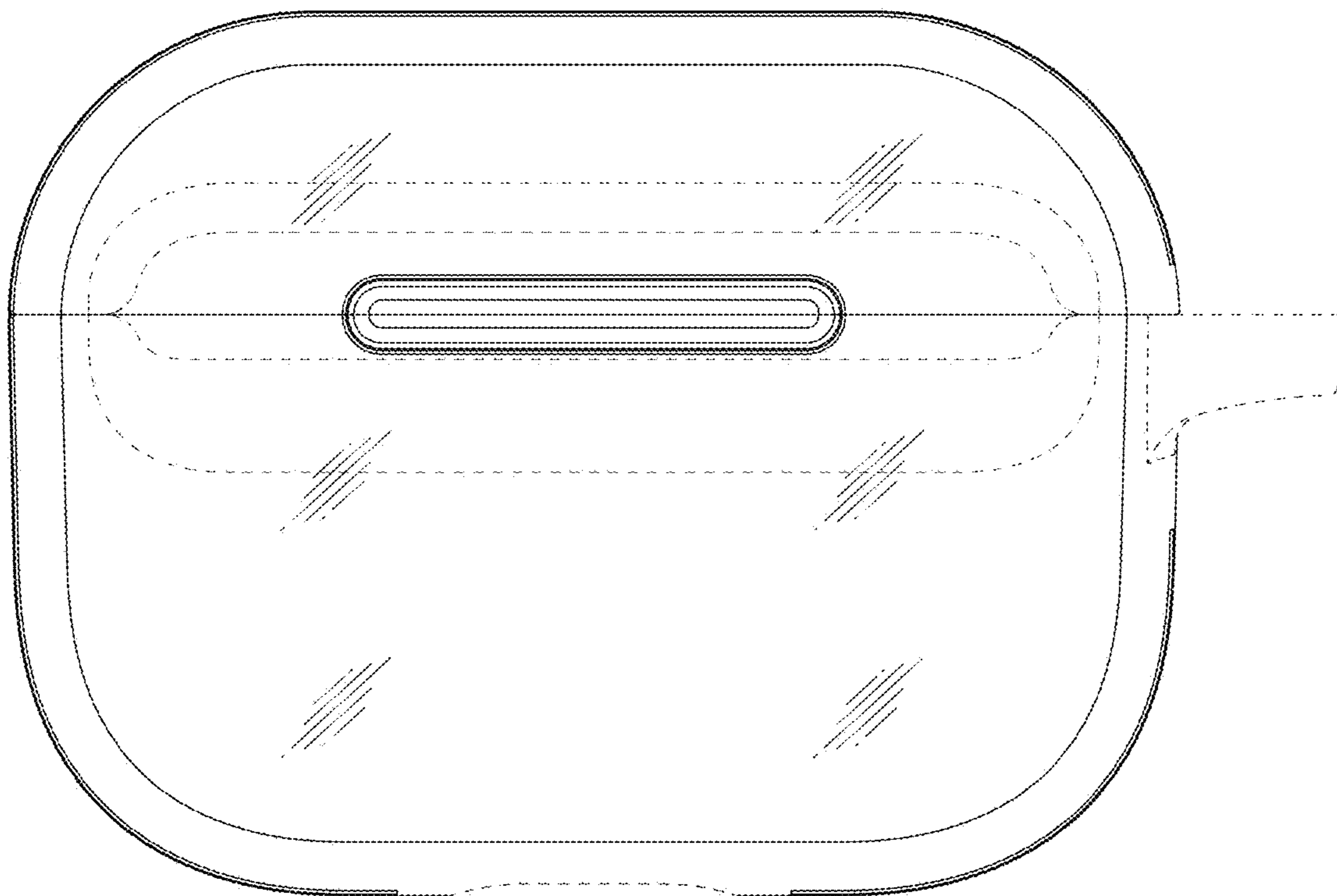


FIG. 4

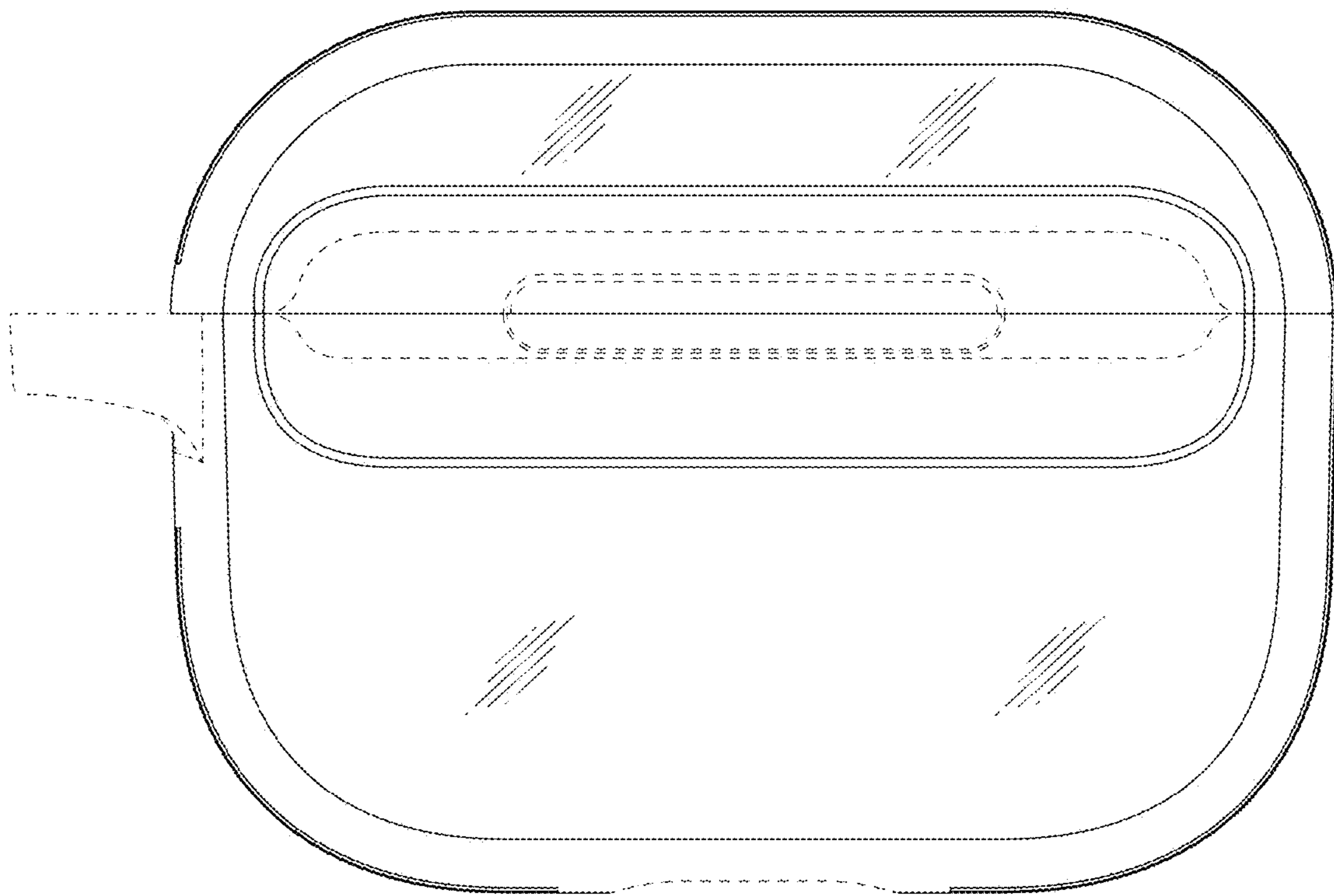


FIG. 5

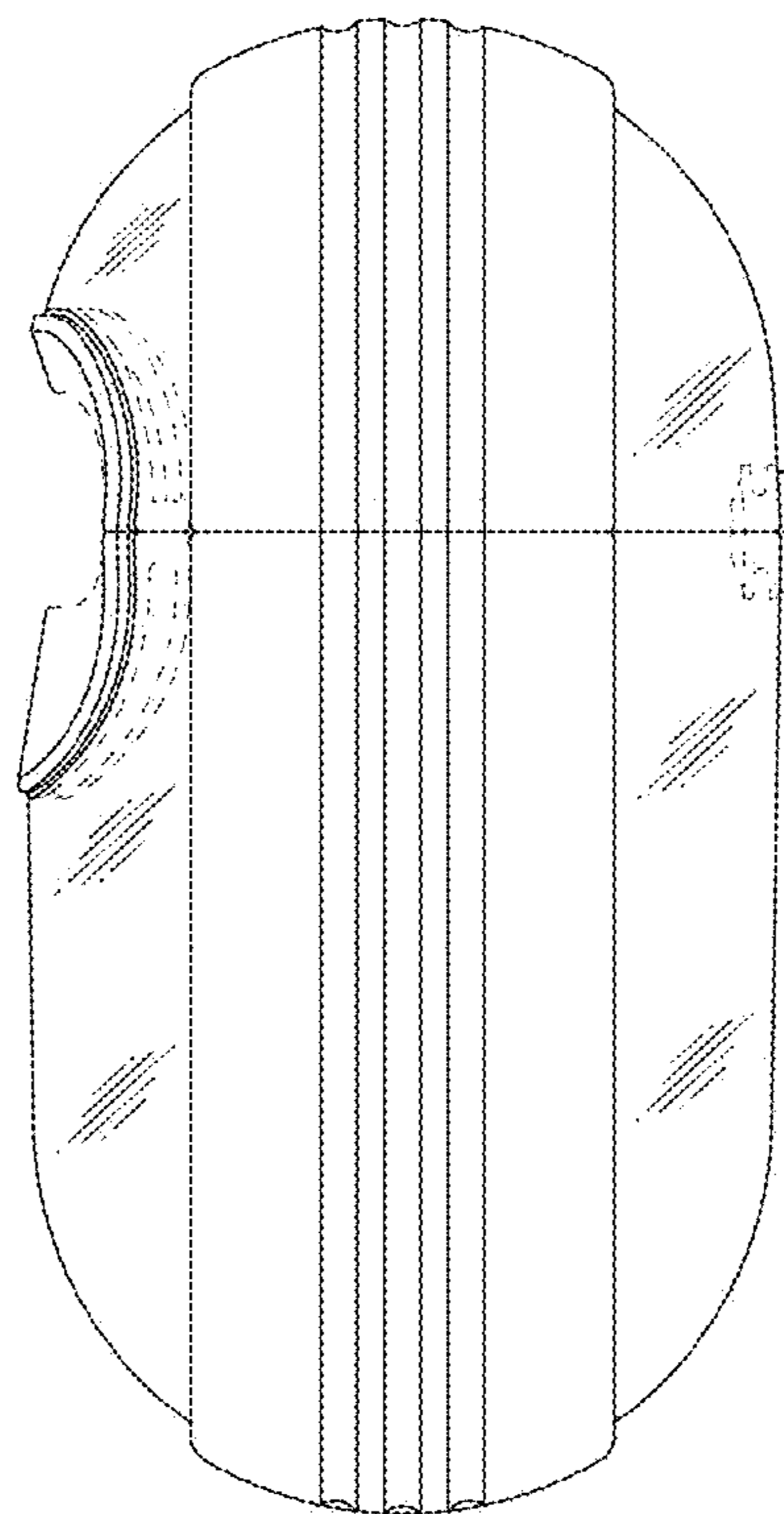


FIG. 6

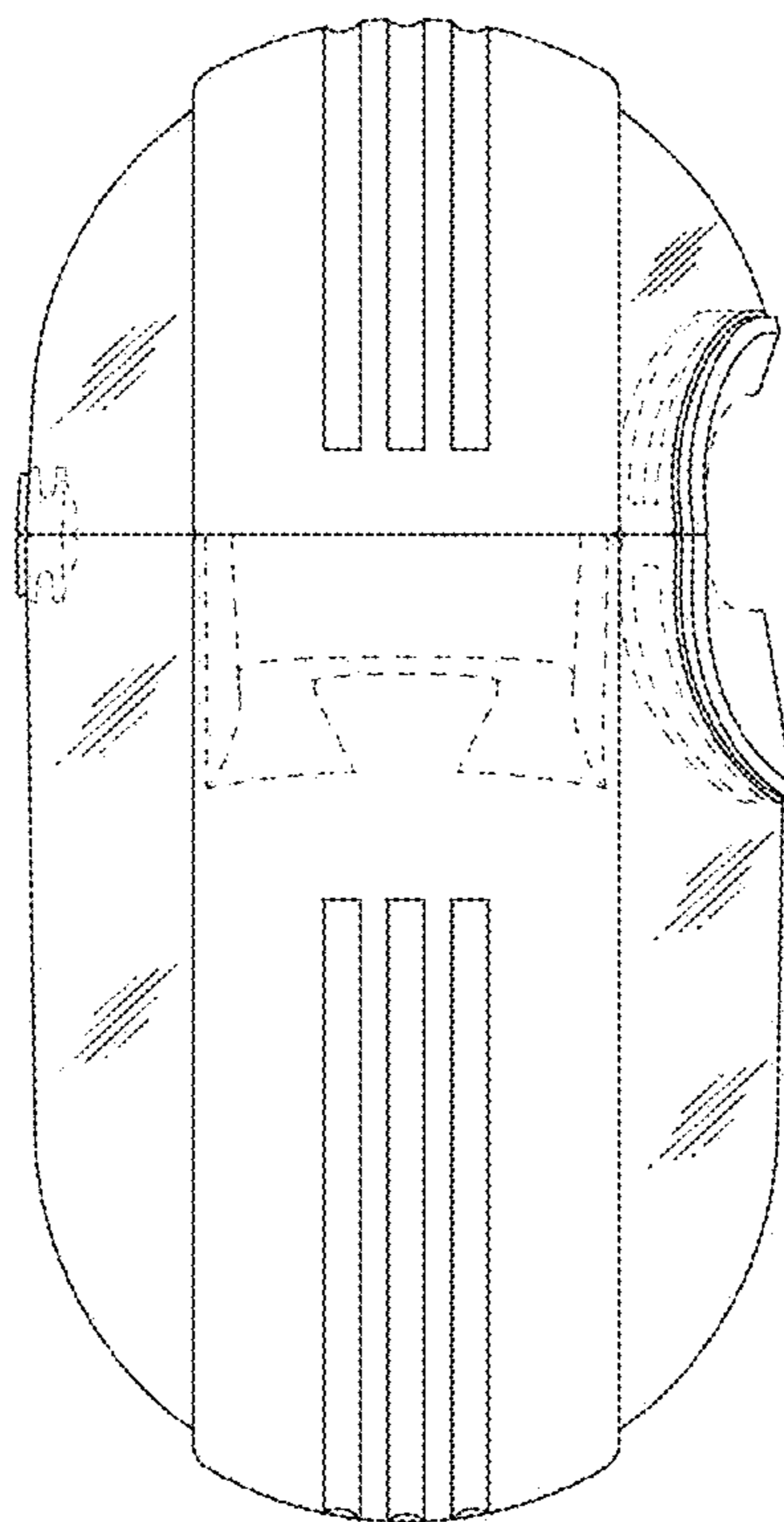




FIG. 7

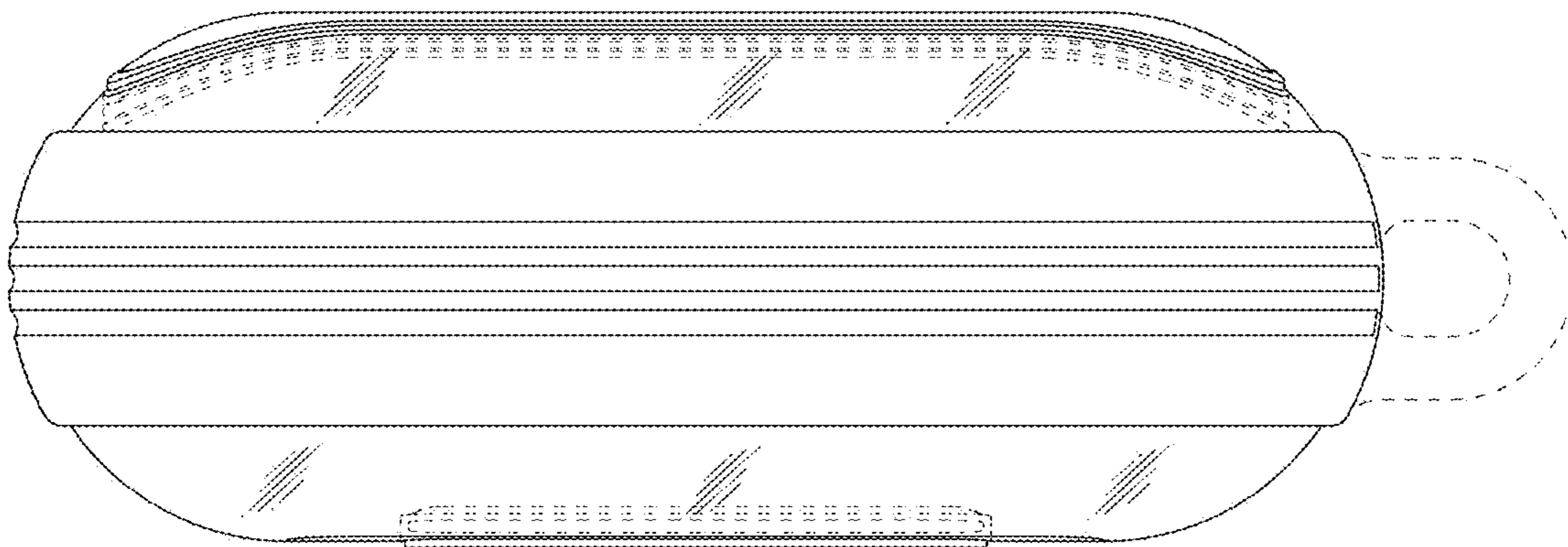


FIG. 8

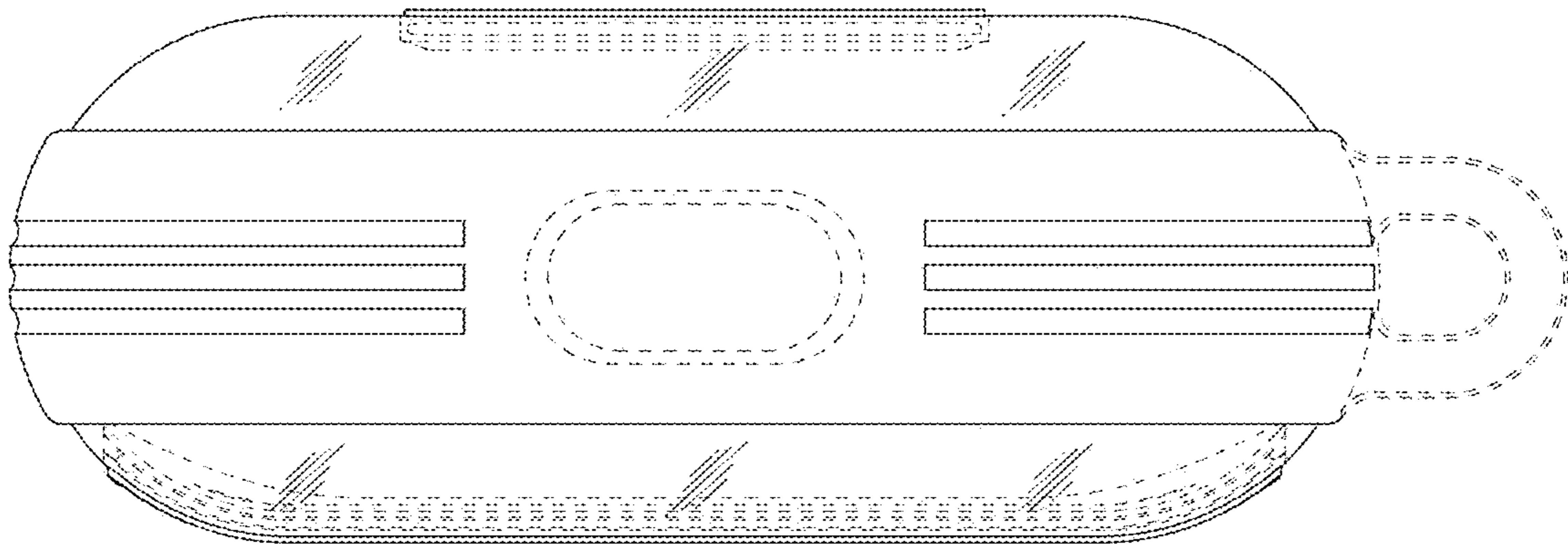


FIG. 9

