

US00D905429S

(12) **United States Design Patent** (10) **Patent No.:** **US D905,429 S**
Lee (45) **Date of Patent:** **** Dec. 22, 2020**

(54) **COVER FOR ELECTRONIC DEVICE**
(71) Applicant: **elago CO. LTD**, Goyang-si (KR)
(72) Inventor: **Chanwoo Lee**, Goyang-si (KR)
(73) Assignee: **elago CO. LTD**, Goyang-si (KR)
(**) Term: **15 Years**

D741,716 S 10/2015 Konieczny
D794,618 S * 8/2017 Wright D14/238.1
D818,268 S * 5/2018 Akana D3/294
D834,301 S * 11/2018 Poissant D3/201
D839,749 S 2/2019 Lu
D851,913 S * 6/2019 Yu D3/201
D853,116 S * 7/2019 Bergman D3/294
D864,565 S * 10/2019 Lee D3/271.1
D868,453 S 12/2019 Lee et al.
(Continued)

(21) Appl. No.: **29/741,252**
(22) Filed: **Jul. 10, 2020**
(51) **LOC (12) Cl.** **03-01**
(52) **U.S. Cl.**
USPC **D3/271.1; D3/201**
(58) **Field of Classification Search**
USPC D3/201, 269–270, 271.1, 294, 301–303
CPC A45F 5/00; A45F 5/021
See application file for complete search history.

FOREIGN PATENT DOCUMENTS

CN 303858545 9/2016
CN 304213237 7/2017
(Continued)

Primary Examiner — Holly E Thurman
(74) *Attorney, Agent, or Firm* — Paratus Law Group, PLLC

(57) **CLAIM**

The ornamental design for a cover for electronic device, as shown and described.

(56) **References Cited**

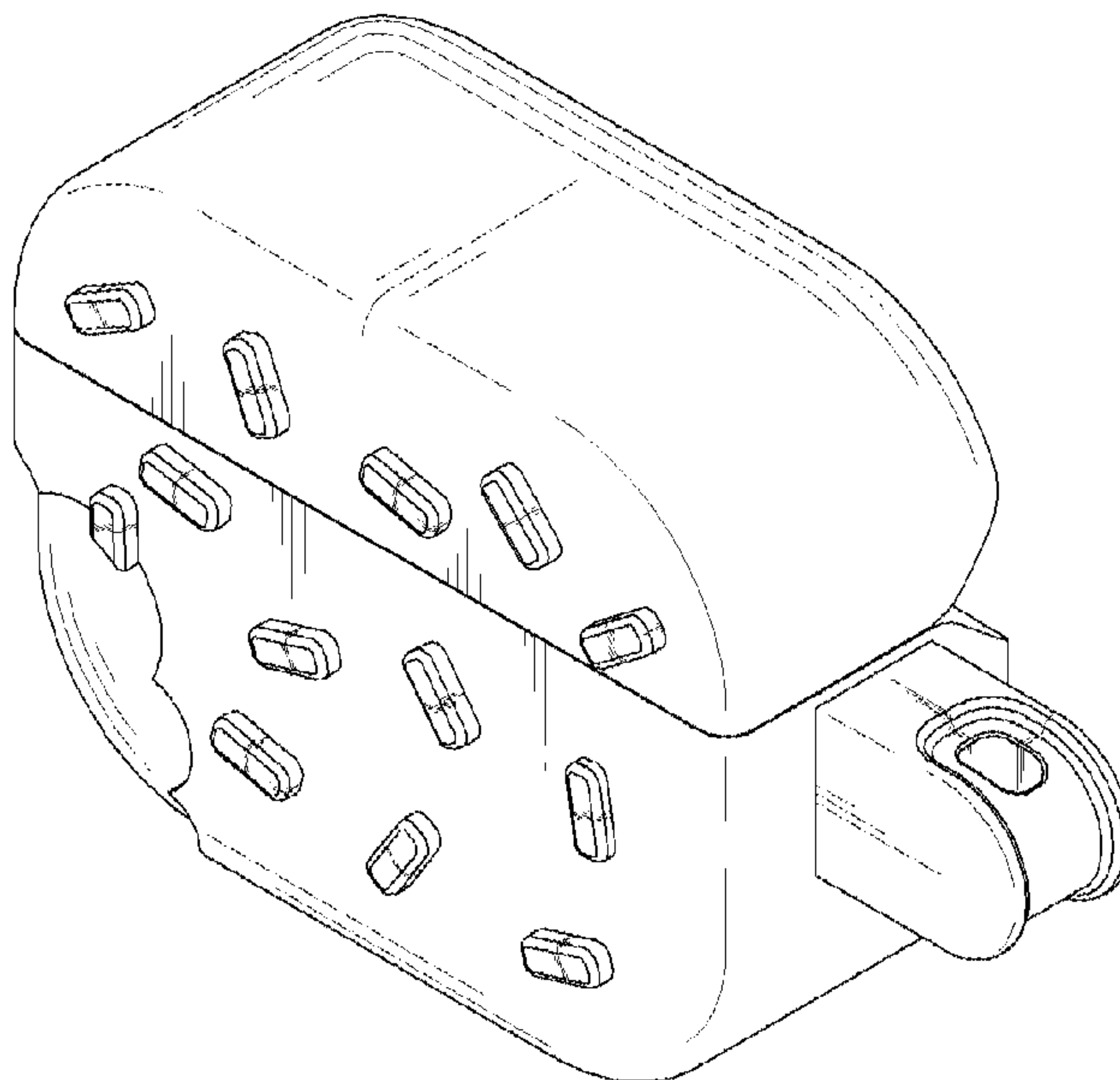
U.S. PATENT DOCUMENTS

D306,187 S * 2/1990 Ukisu D3/271.1
D357,540 S 4/1995 Abrams
D362,915 S 10/1995 Abrams
D368,151 S 3/1996 Kellogg et al.
D455,888 S 4/2002 Nulman et al.
6,520,334 B1 * 2/2003 Hoover A45C 11/00
206/38
D491,337 S 6/2004 Benson et al.
D516,806 S 3/2006 Lawrence
D582,281 S * 12/2008 Zanaletti D9/516
D600,567 S * 9/2009 Hernandez D9/600
D623,957 S * 9/2010 Canuto D9/643
D658,875 S 5/2012 Xiang et al.
D688,136 S 8/2013 Kuo et al.
D688,137 S 8/2013 Kuo et al.
D695,127 S * 12/2013 Pohl D9/643
D704,916 S * 5/2014 Toschi D1/102
D710,020 S 7/2014 Bredemeier et al.
D724,389 S 3/2015 Yip

DESCRIPTION

FIG. 1 is a front, top, and right sides perspective view of a cover for electronic device, showing my design;
FIG. 2 is a front view thereof;
FIG. 3 is a back view thereof;
FIG. 4 is a left side view thereof;
FIG. 5 is a right side view thereof;
FIG. 6 is a top view thereof;
FIG. 7 is a bottom view thereof;
FIG. 8 is a back, top, and left sides perspective view thereof; and,
FIG. 9 is a front, bottom, and left sides view thereof.
The broken lines shown in FIGS. 3 and 8 depict inner parts of the cover for electronic device and form no part of the claimed design.

1 Claim, 4 Drawing Sheets



(56)

References Cited

U.S. PATENT DOCUMENTS

D869,147 S * 12/2019 Lian D3/201
D869,161 S * 12/2019 Zhong D3/294
D870,451 S * 12/2019 Birger D3/201
D872,469 S * 1/2020 Lee D3/269
D873,941 S * 1/2020 Hsu D21/808
D881,566 S 4/2020 Lee et al.
D888,408 S * 6/2020 Lee D3/201
D891,774 S * 8/2020 Yu D3/294

FOREIGN PATENT DOCUMENTS

CN 305323176 8/2019
GB 4029232 8/2013
KR 3020190001184 8/2019

* cited by examiner

FIG. 1

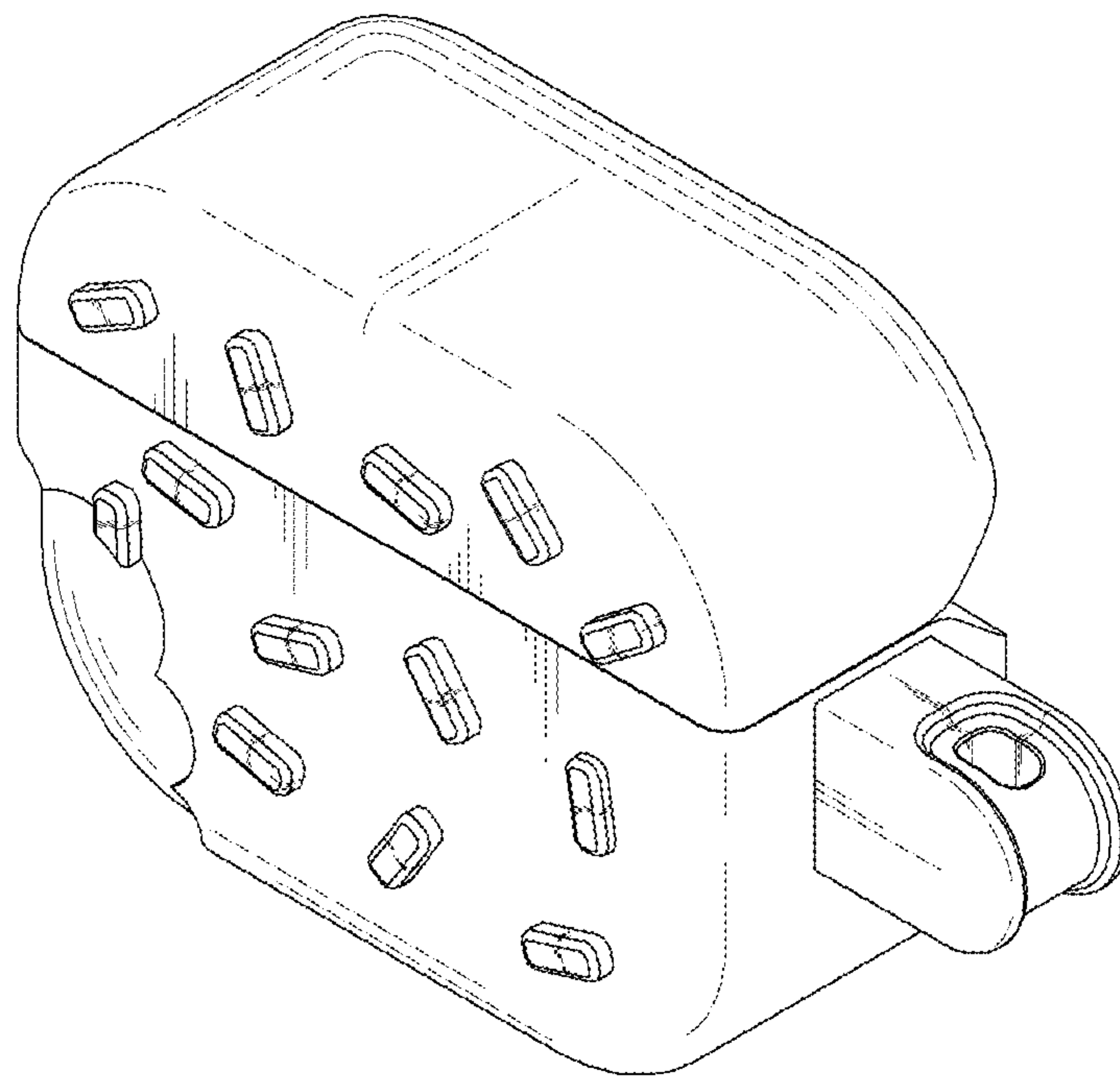


FIG. 2

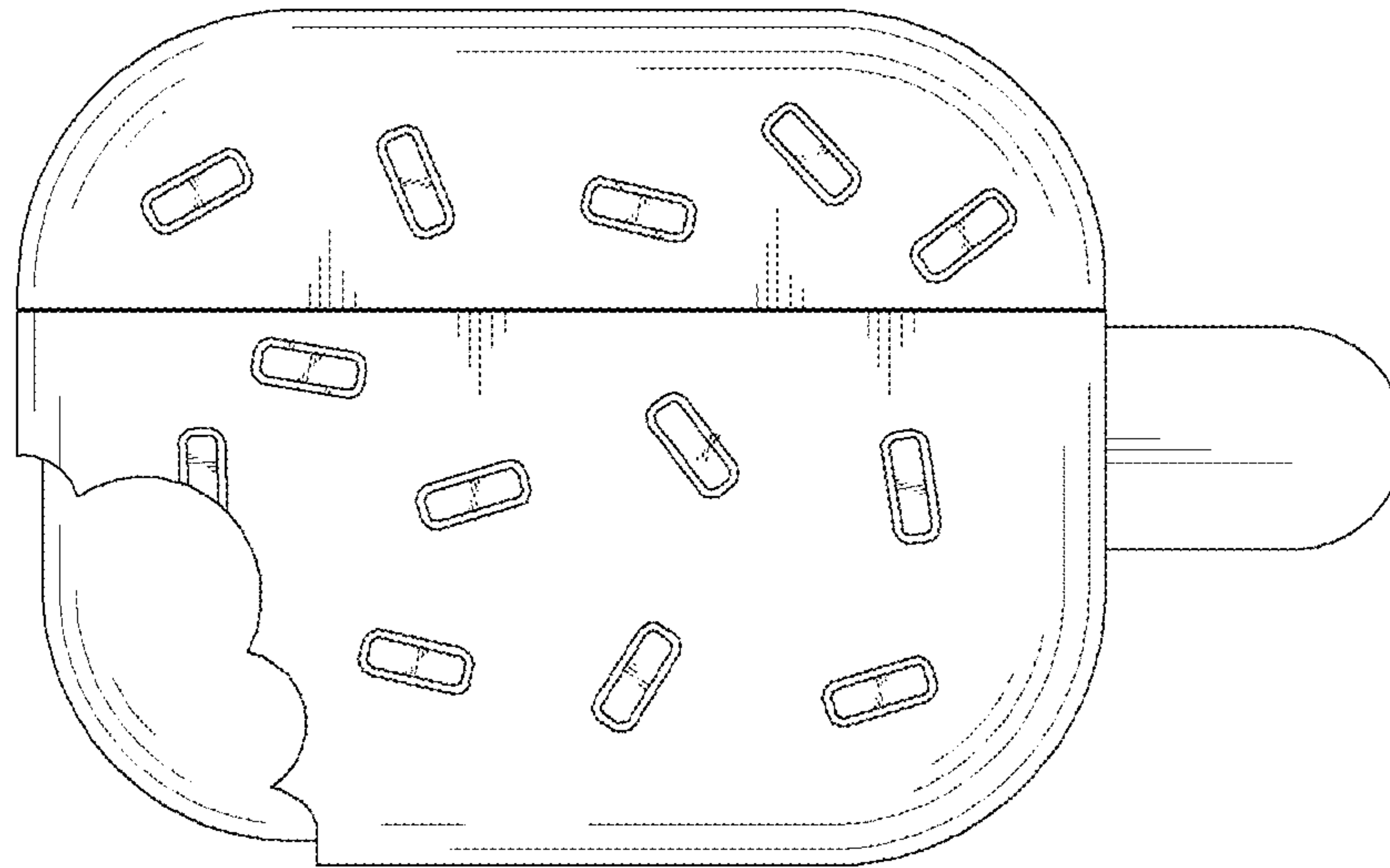


FIG. 3

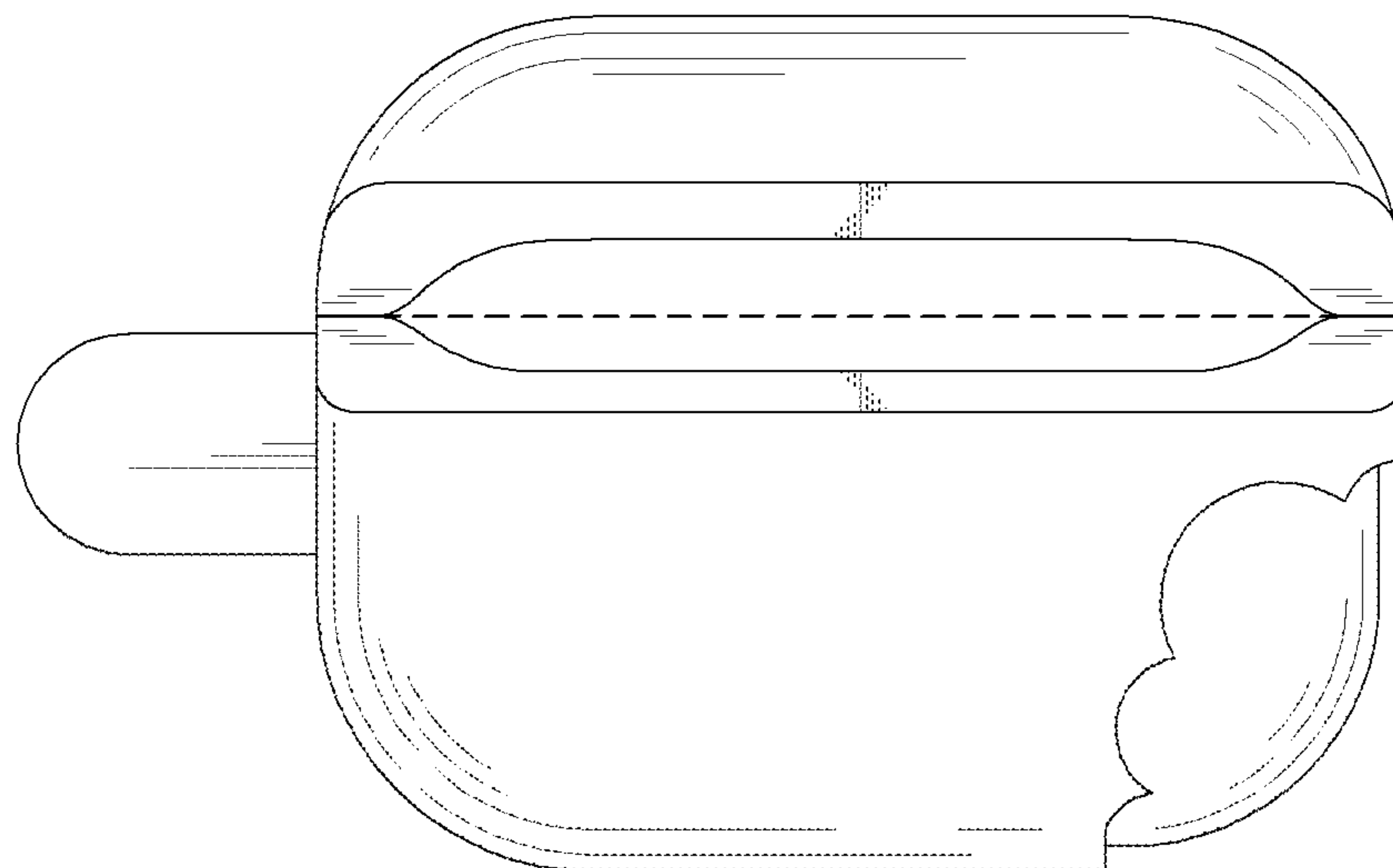


FIG. 4

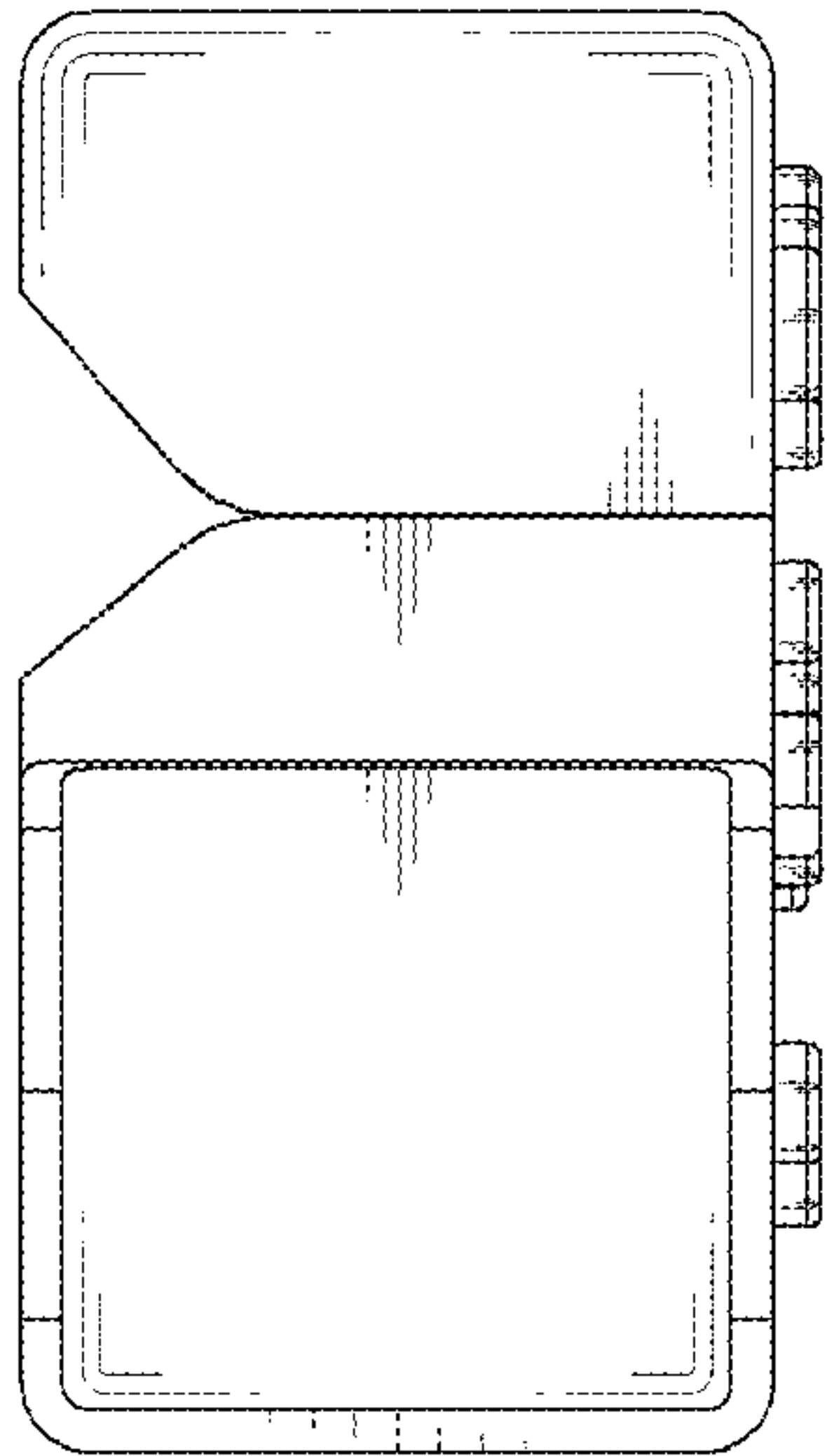


FIG. 5

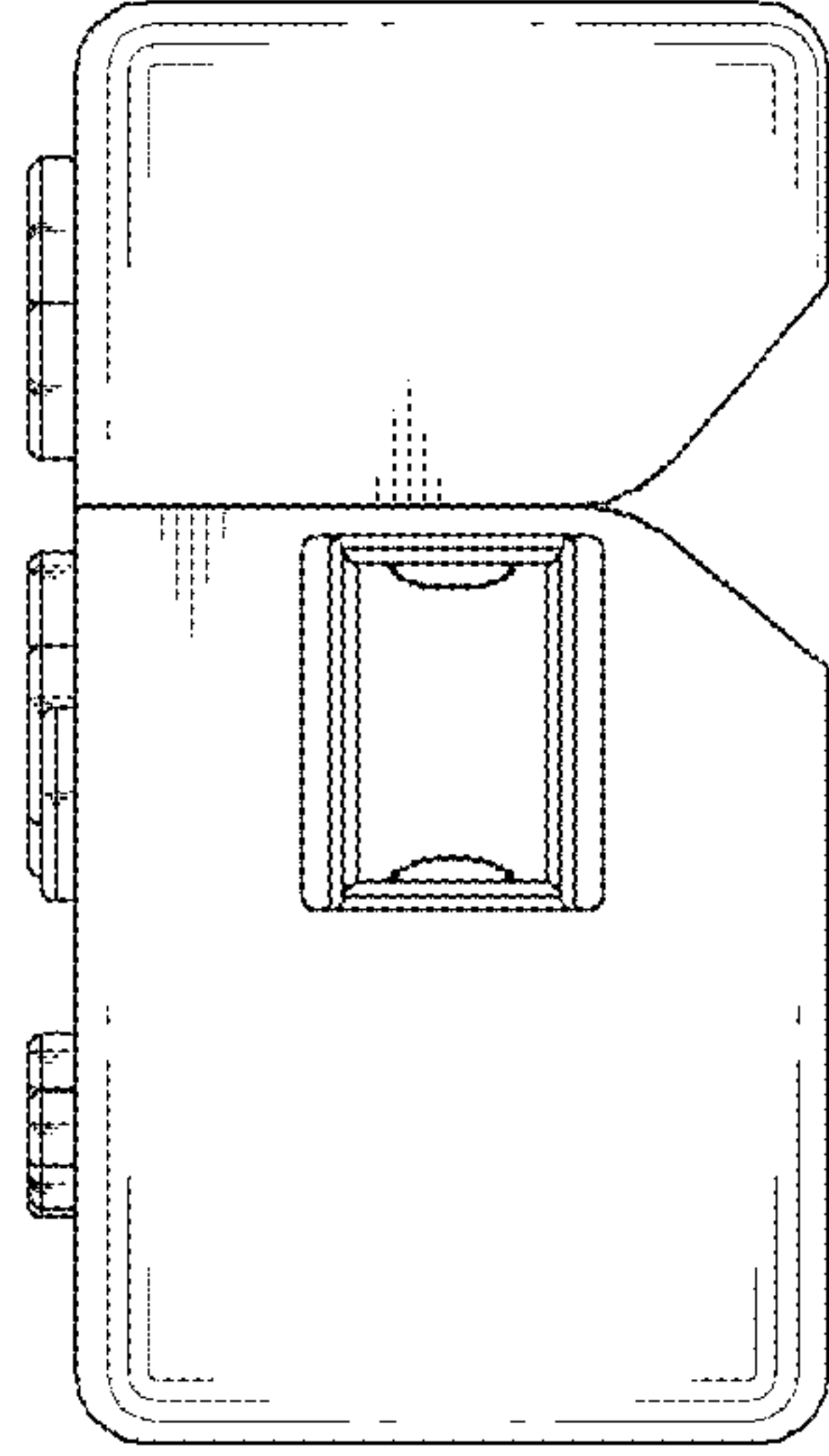


FIG. 6

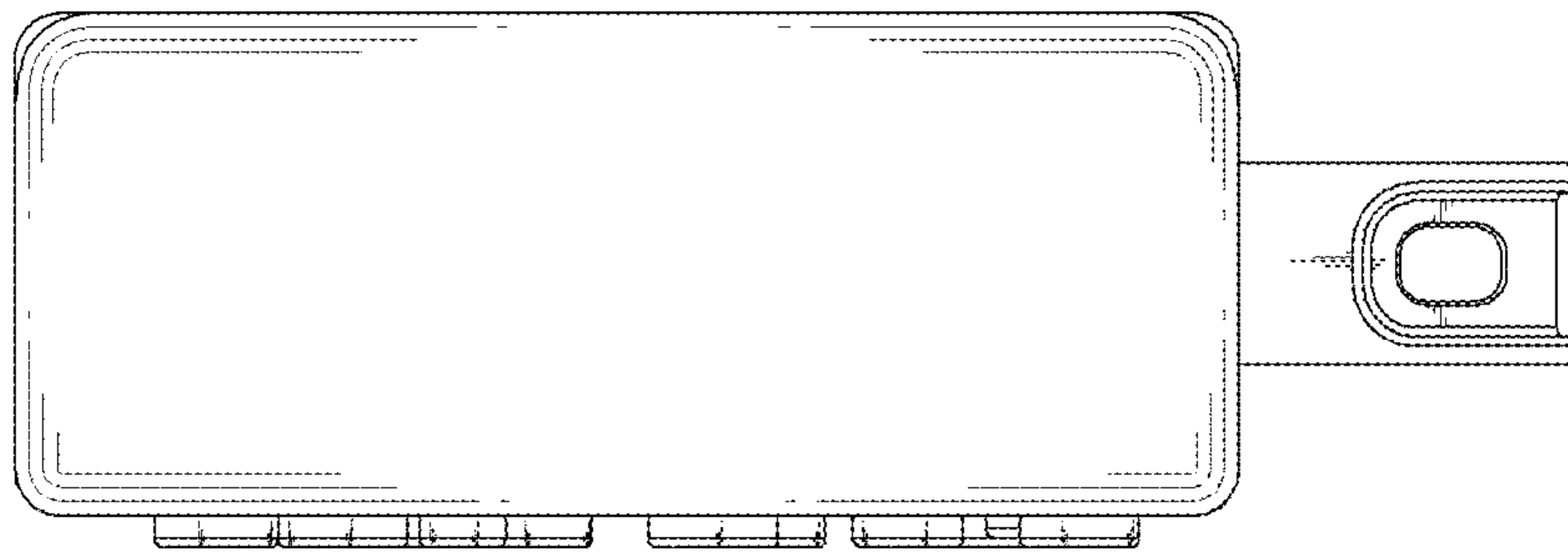


FIG. 7

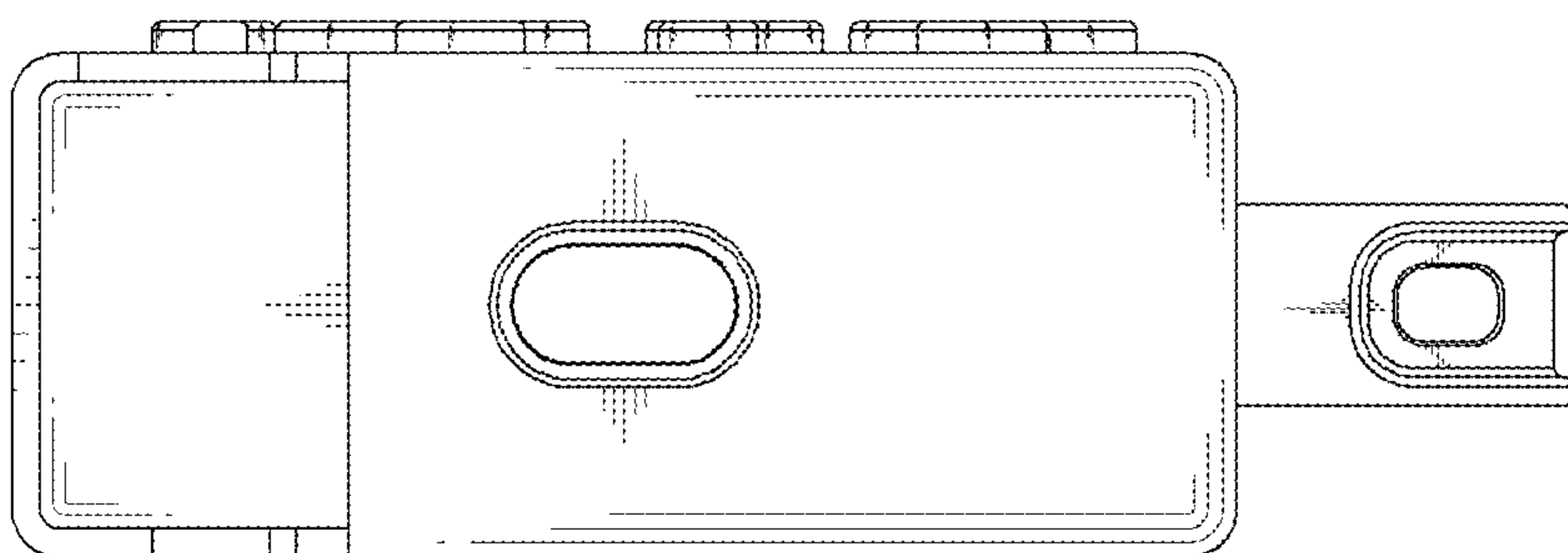


FIG. 8

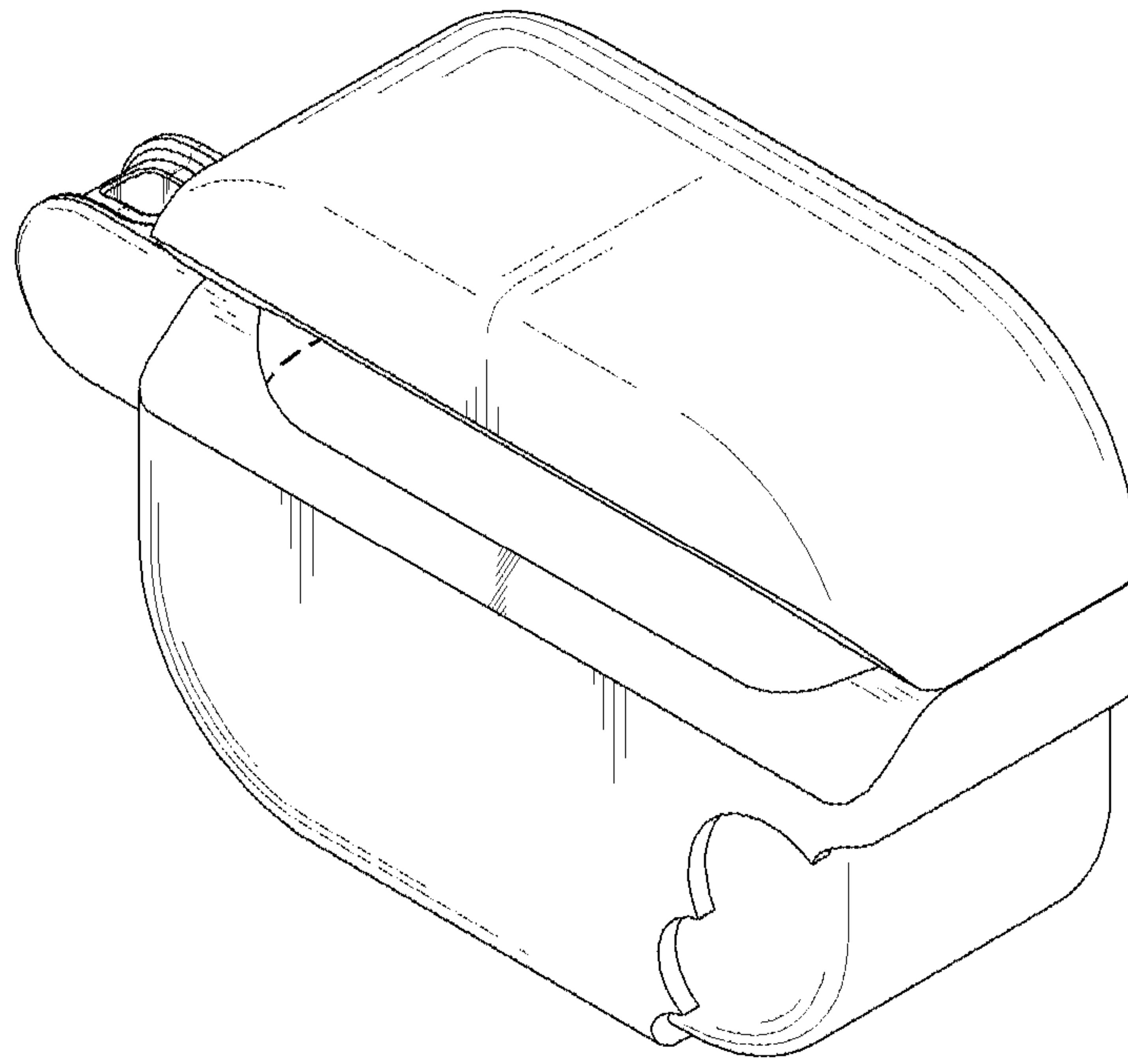


FIG. 9

