



US00D905428S

(12) **United States Design Patent** (10) **Patent No.:** **US D905,428 S**
Natsume et al. (45) **Date of Patent:** **** Dec. 22, 2020**

- (54) **CASE FOR HEAD MOUNTED AUDIO-VISUAL DISPLAY SYSTEM**
- (71) Applicant: **MAGIC LEAP, INC.**, Plantation, FL (US)
- (72) Inventors: **Shigeru Natsume**, Weston, FL (US); **Bradley Fraser**, Miami Beach, FL (US); **Haney Awad**, Fort Lauderdale, FL (US); **Sebastian Gonzalo Arrieta Gunther**, Fort Lauderdale, FL (US); **Masamune Kaji**, Plantation, FL (US); **William Wheeler**, Fort Lauderdale, FL (US); **Sarah Hoit**, Fort Lauderdale, FL (US); **James William Palmer**, Miami, FL (US)
- (73) Assignee: **MAGIC LEAP, INC.**, Plantation, FL (US)
- (**) Term: **15 Years**
- (21) Appl. No.: **29/664,781**
- (22) Filed: **Sep. 27, 2018**

Related U.S. Application Data

- (63) Continuation-in-part of application No. 29/625,035, filed on Nov. 6, 2017, now Pat. No. Des. 850,103.
- (51) **LOC (12) Cl.** **03-01**
- (52) **U.S. Cl.**
USPC **D3/263**
- (58) **Field of Classification Search**
USPC D3/207, 215, 219, 229, 263–268, 301; D12/417; D16/330, 339; 24/3.3, 3.7, 24/3.8, 563; 206/5, 5.1, 6; 248/902; 351/112, 155; D6/632
CPC A45C 11/04; A47F 7/02; A47F 7/021
See application file for complete search history.

(56) **References Cited**
U.S. PATENT DOCUMENTS

D49,217 S	6/1916	King
2,106,726 A	2/1938	Draeger
2,490,222 A	12/1949	Lowe
2,875,869 A	3/1959	Friedman
4,838,709 A	6/1989	Guerriero et al.
4,934,527 A	6/1990	Ho
5,000,204 A	3/1991	Smith
D383,620 S	9/1997	Smith et al.
D435,385 S	12/2000	Eskandry

(Continued)

OTHER PUBLICATIONS

Ex parte Quayle Office Action dated Feb. 8, 2019 for U.S. Appl. No. 29/625,036.

(Continued)

Primary Examiner — T Chase Nelson

(74) *Attorney, Agent, or Firm* — Vista IP Law Group LLP

(57) **CLAIM**

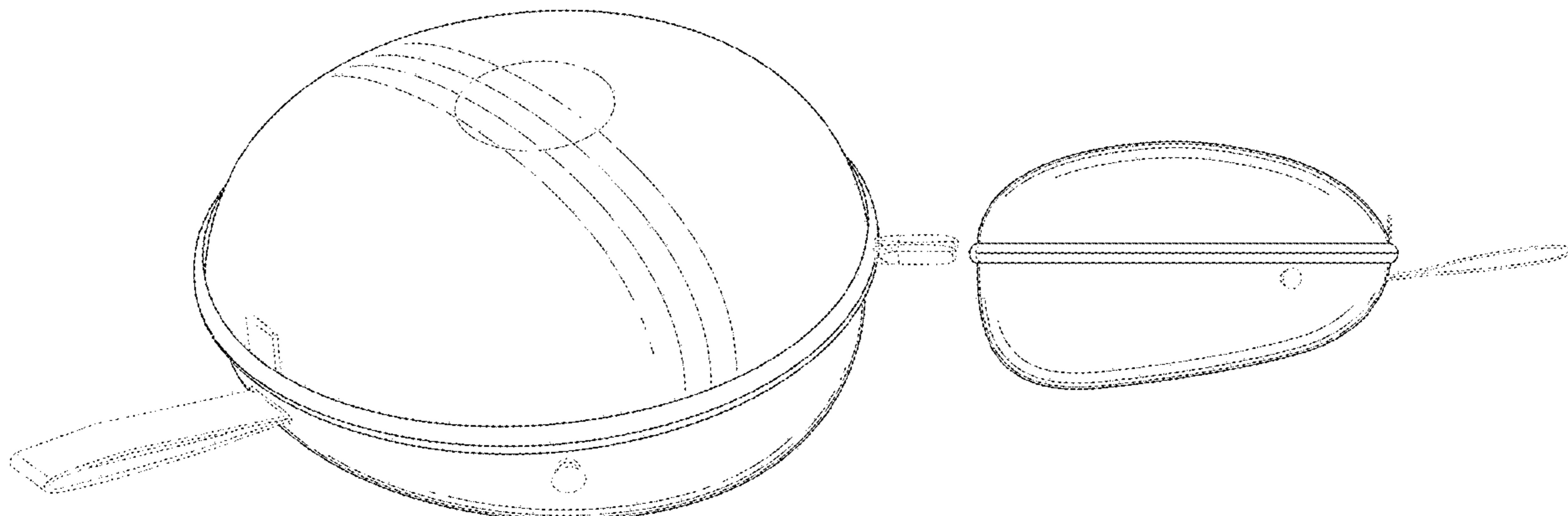
We claim the ornamental design for a case for head mounted audio-visual display system, as shown and described.

DESCRIPTION

FIG. 1 is a front perspective view of a case for head mounted audio-visual device showing our design; FIG. 2 is a rear perspective view thereof; FIG. 3 is a front view thereof; FIG. 4 is a rear view thereof; FIG. 5 is a left side view thereof; FIG. 6 is a right side view thereof; FIG. 7 is a bottom view thereof; and, FIG. 8 is a top view thereof.

The broken lines depicting various portions of the case for head mounted audio-visual display system are included for the purpose of illustrating environmental structure and form no part of the claimed design.

1 Claim, 8 Drawing Sheets



(56)

References Cited

U.S. PATENT DOCUMENTS

D484,731 S 1/2004 Tung
 D488,020 S 4/2004 Fung
 D489,529 S 5/2004 Vish et al.
 D491,364 S 6/2004 Vish et al.
 D511,895 S 11/2005 Vish et al.
 D517,364 S 3/2006 Nieves
 D539,034 S 3/2007 Friedman
 D546,670 S 7/2007 Sainz
 D547,103 S 7/2007 Huang
 7,458,456 B2 12/2008 Hogan et al.
 D645,251 S 9/2011 Lee
 D681,936 S 5/2013 Basas et al.
 D695,014 S 12/2013 Mori et al.
 D712,144 S 9/2014 Albanese
 8,881,893 B1 11/2014 Cheng et al.
 D718,528 S 12/2014 Garavaglia
 9,084,462 B2 7/2015 Michael
 D740,018 S 10/2015 Zhang et al.
 D765,975 S 9/2016 Hoofnagle et al.
 D767,986 S 10/2016 Epstein
 D797,449 S 9/2017 Peng
 9,839,271 B1 12/2017 Fawcett et al.
 D808,161 S 1/2018 Herring
 D808,656 S 1/2018 Zheng et al.
 D809,292 S 2/2018 Mason
 D810,431 S 2/2018 Kim et al.

D811,740 S 3/2018 Harrison et al.
 D816,278 S 4/2018 Keil et al.
 D820,593 S 6/2018 Harrison et al.
 D832,208 S 10/2018 Grois
 10,117,485 B2 11/2018 Solland et al.
 D846,279 S * 4/2019 Oakley D3/301
 D850,103 S * 6/2019 Natsume D3/263
 D858,097 S * 9/2019 Natsume D3/263
 D858,098 S * 9/2019 Natsume A45C 13/02
 D3/263
 2019/0350327 A1* 11/2019 Meunier A45C 13/02

OTHER PUBLICATIONS

Ex parte Quayle Office Action dated Feb. 8, 2019 for U.S. Appl. No. 29/625,037.
 Notice of Allowance dated Feb. 14, 2019 for U.S. Appl. No. 29/625,035.
 Response to Ex Parte Quayle Office Action filed Apr. 4, 2019 for U.S. Appl. No. 29/625,036.
 Response to Ex Parte Quayle Office Action filed Apr. 4, 2019 for U.S. Appl. No. 29/625,037.
 Notice of Allowance dated Apr. 24, 2019 for U.S. Appl. No. 29/625,036.
 Notice of Allowance dated Apr. 24, 2019 for U.S. Appl. No. 29/625,037.

* cited by examiner

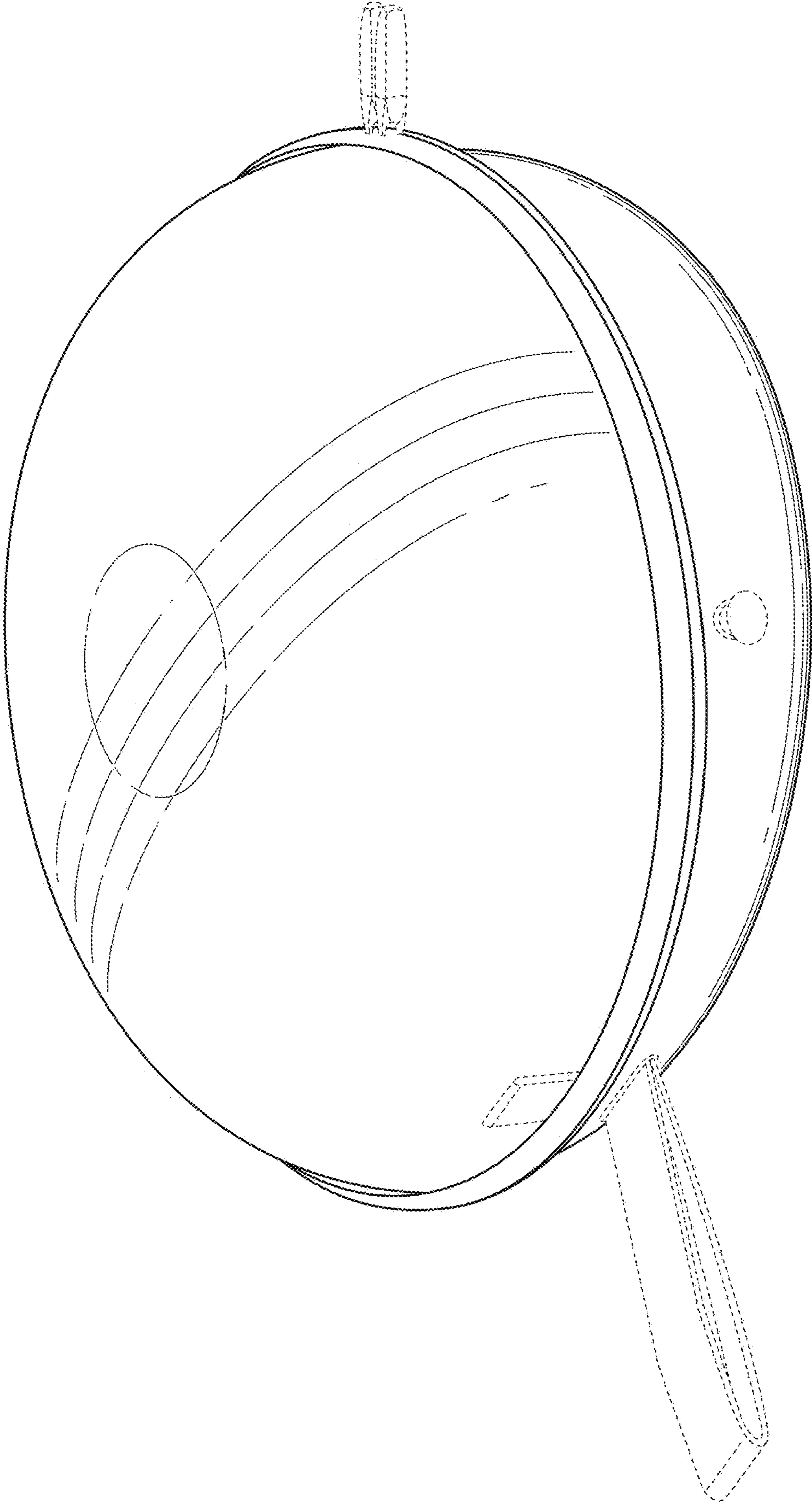


FIG. 1

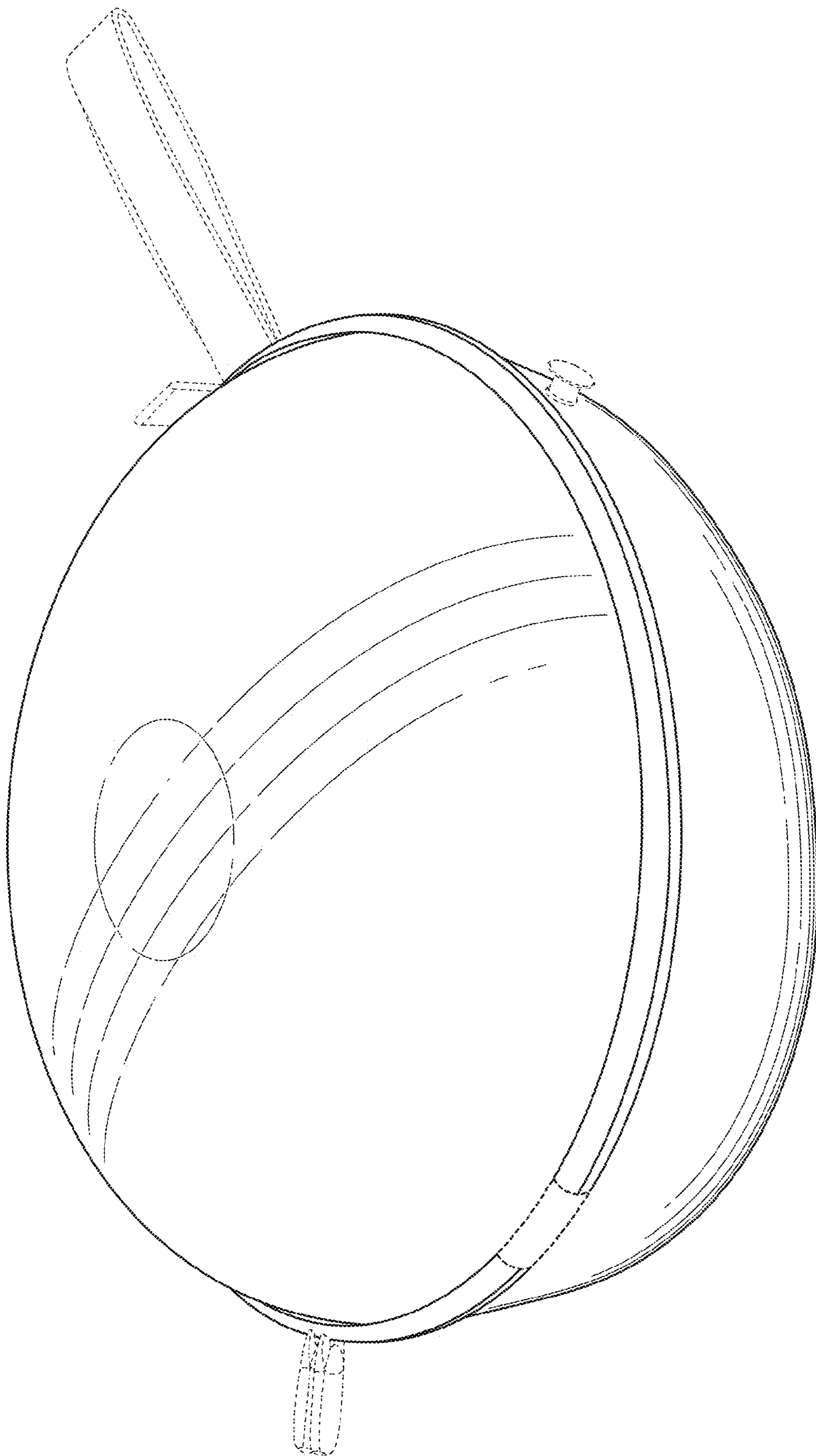


FIG. 2

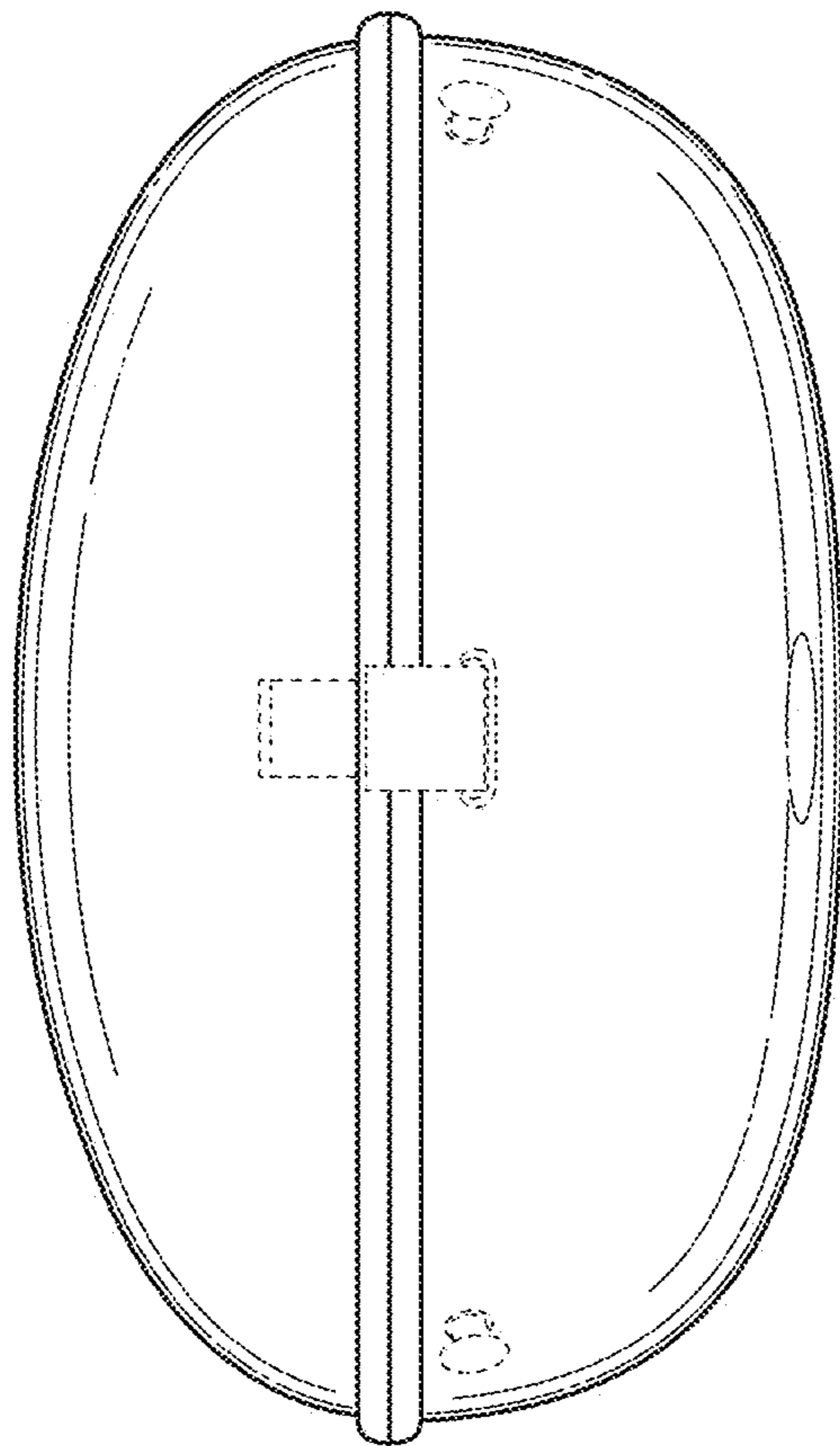


FIG. 3

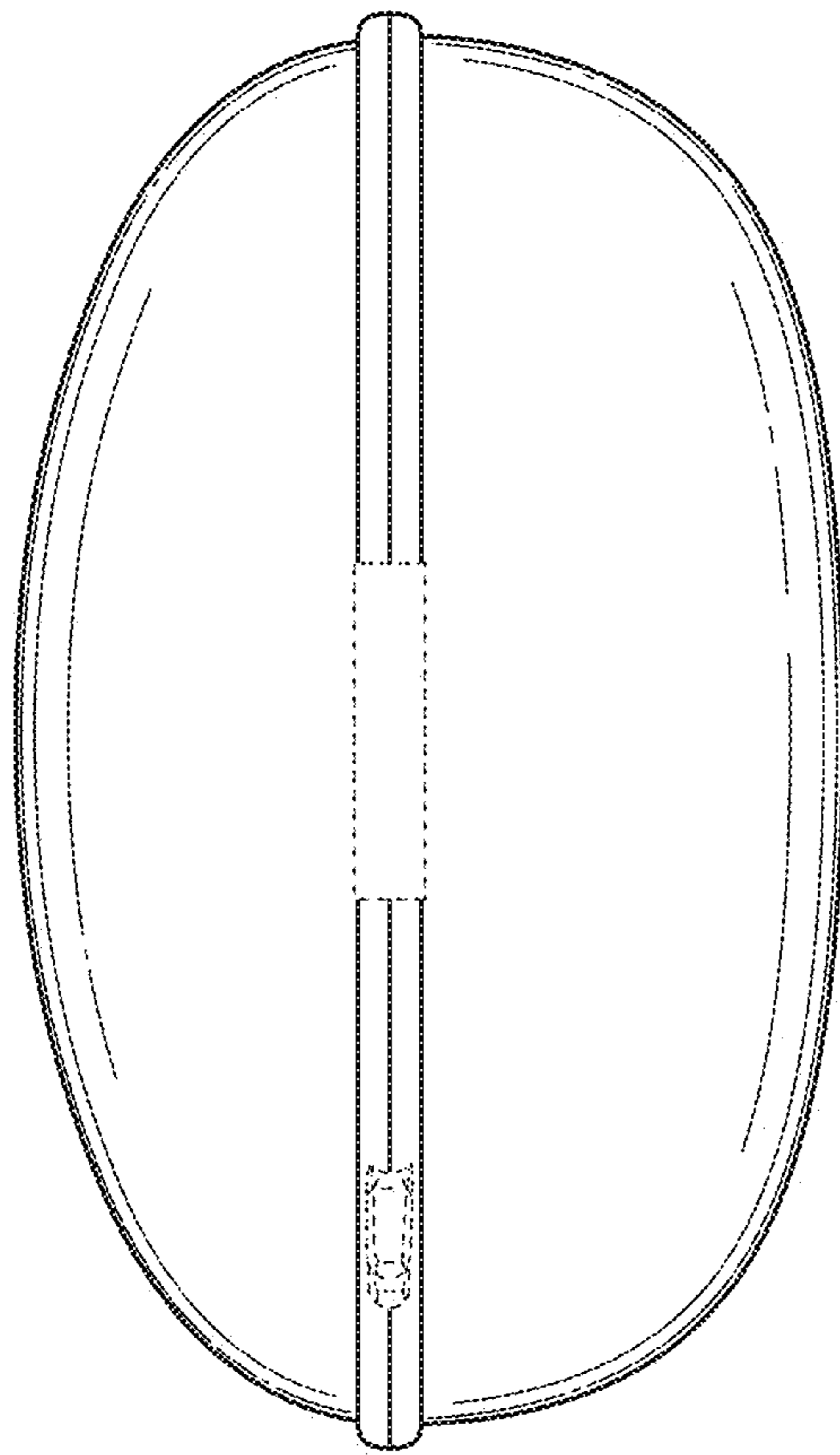


FIG. 4

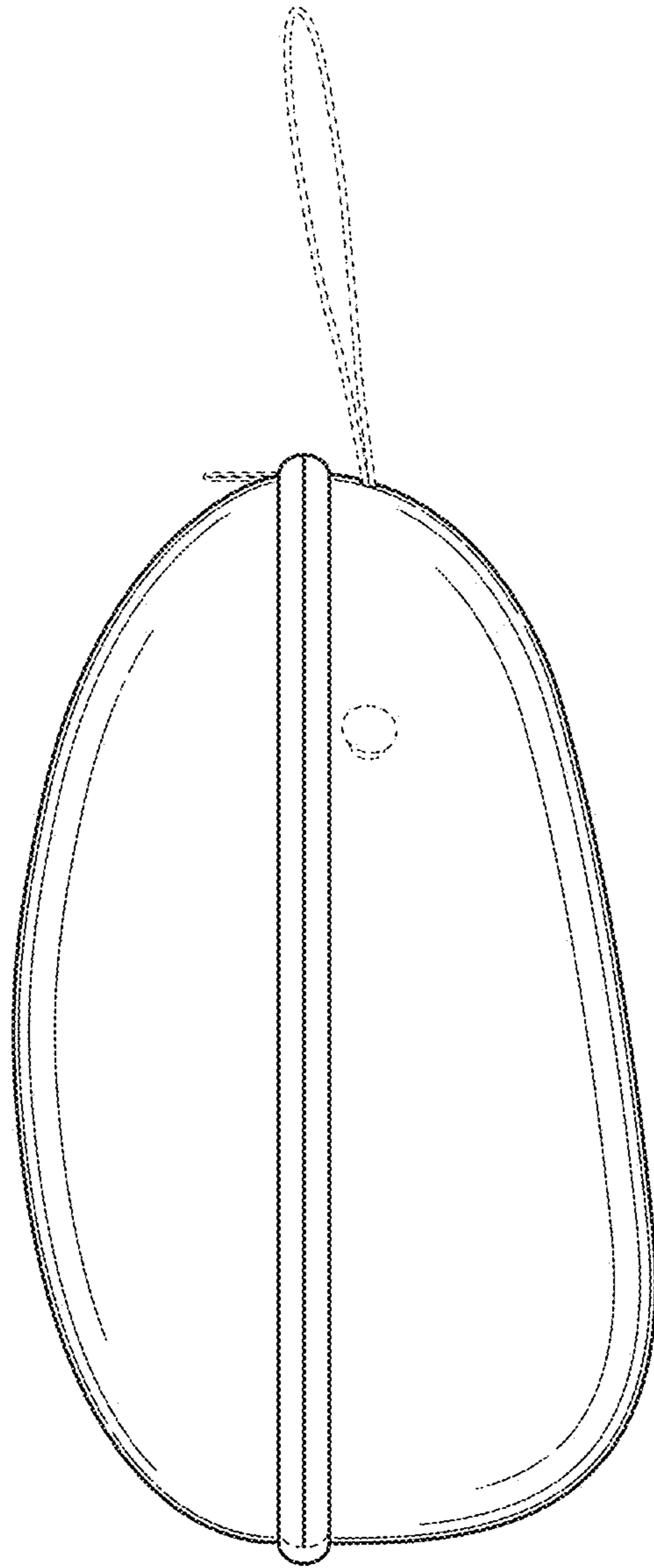


FIG. 5

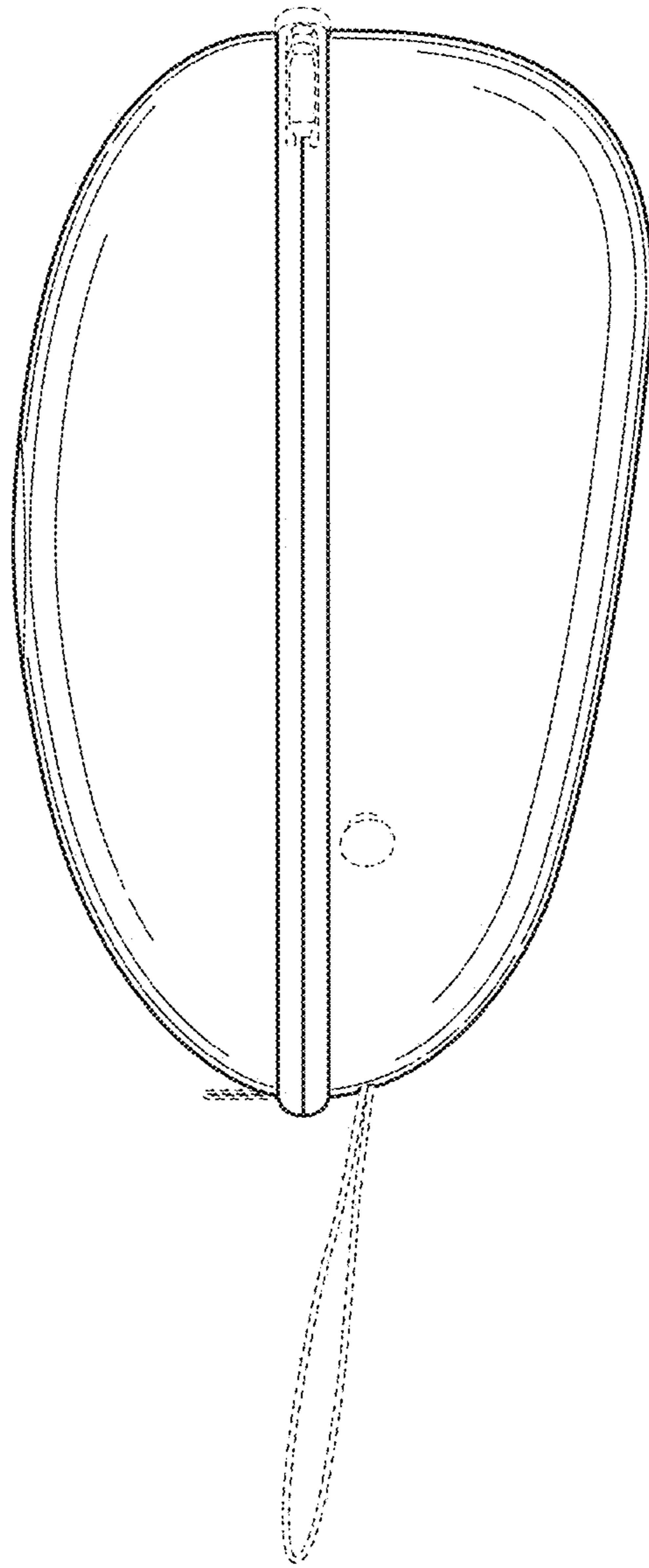


FIG. 6

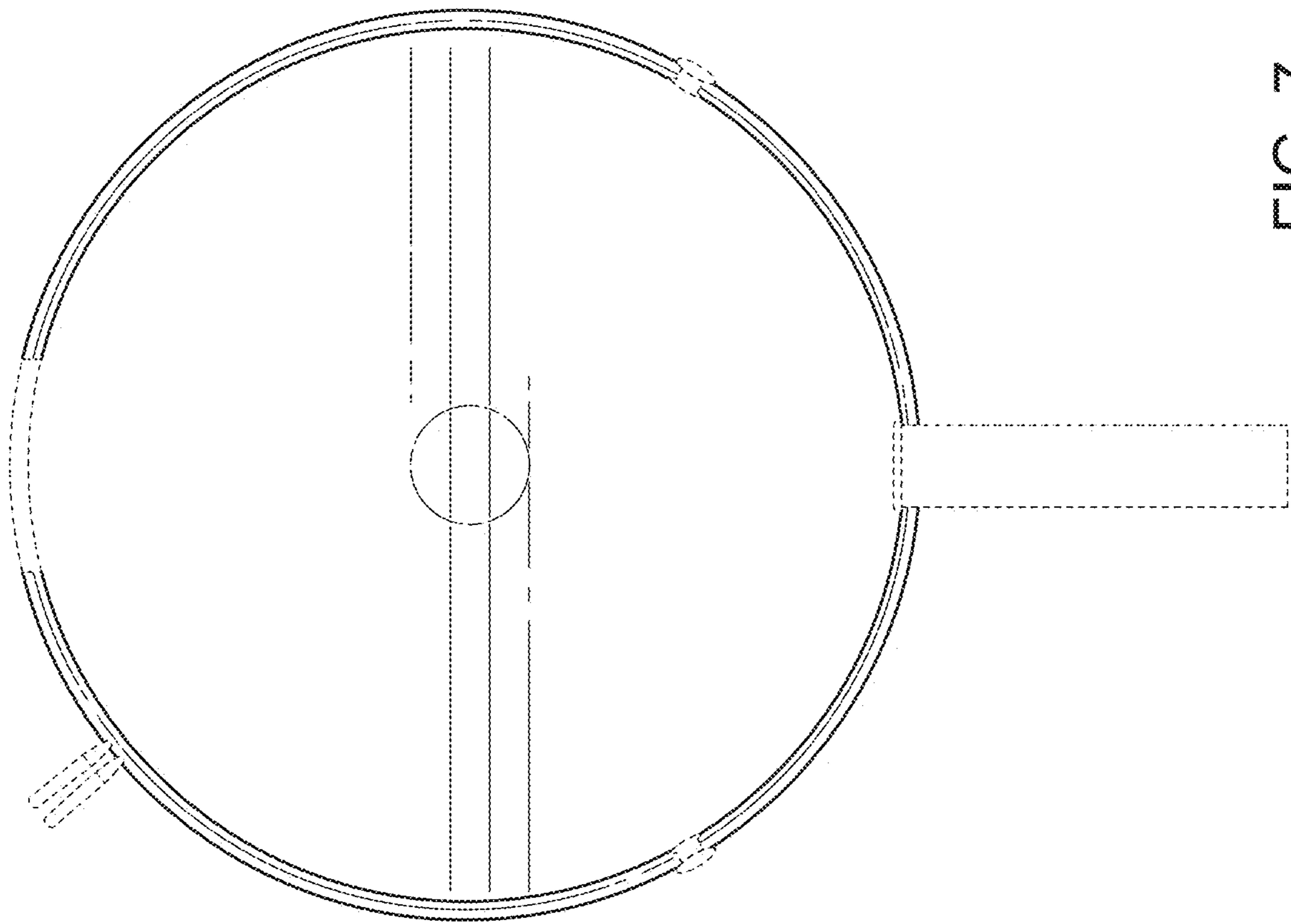


FIG. 7

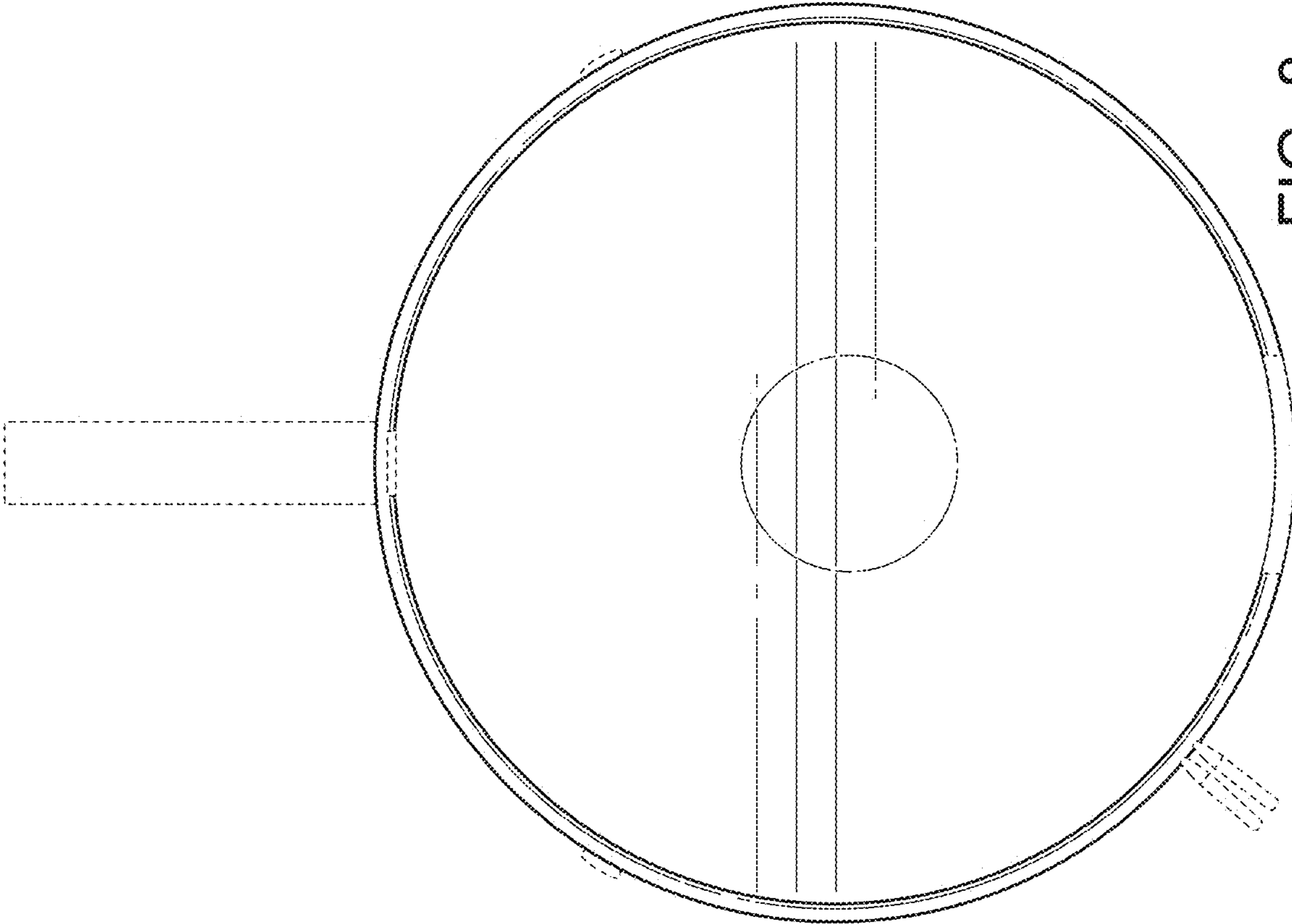


FIG. 8