

US00D905427S

(12) **United States Design Patent**
Zhou

(10) **Patent No.:** **US D905,427 S**

(45) **Date of Patent:** **** Dec. 22, 2020**

(54) **CAMERA BACKPACK**

(71) Applicant: **SUZHOU EWAY TECH CO., LTD.**,
Suzhou (CN)

(72) Inventor: **Min Zhou**, Suzhou (CN)

(73) Assignee: **SUZHOU EWAY TECH CO., LTD.**,
Suzhou (CN)

(**) Term: **15 Years**

(21) Appl. No.: **29/730,018**

(22) Filed: **Mar. 31, 2020**

(51) **LOC (12) Cl.** **03-01**

(52) **U.S. Cl.**
USPC **D3/217; D3/267**

(58) **Field of Classification Search**
USPC D3/216–217, 267, 268
CPC A45F 3/04; A45F 4/02; A45F 3/02; A45F
3/08; A45F 3/047; A45C 9/00; A45C
5/14; A45C 13/02; A45C 3/00; A45C
13/08; A41D 15/04

See application file for complete search history.

(56) **References Cited**

U.S. PATENT DOCUMENTS

D264,769 S	6/1982	Koszegi
D272,965 S	3/1984	Simon
D336,153 S	6/1993	Dulka et al.
D467,073 S	12/2002	Hassett
D483,179 S	12/2003	Fair
D542,527 S	5/2007	Zapata
D542,528 S	5/2007	Zapata

D543,029 S	5/2007	Zapata	
D557,009 S *	12/2007	Elmberg	D3/217
D612,151 S	3/2010	Lown et al.	
D745,777 S *	12/2015	Zwetzig	D3/217
D816,990 S *	5/2018	Naito	D3/267
10,667,600 B2 *	6/2020	Ji	A45F 4/02
2002/0139820 A1 *	10/2002	Godshaw	A45F 4/02 224/153

* cited by examiner

Primary Examiner — Jennifer L Watkins

(74) *Attorney, Agent, or Firm* — Law Offices of Steven
W. Weinrieb

(57) **CLAIM**

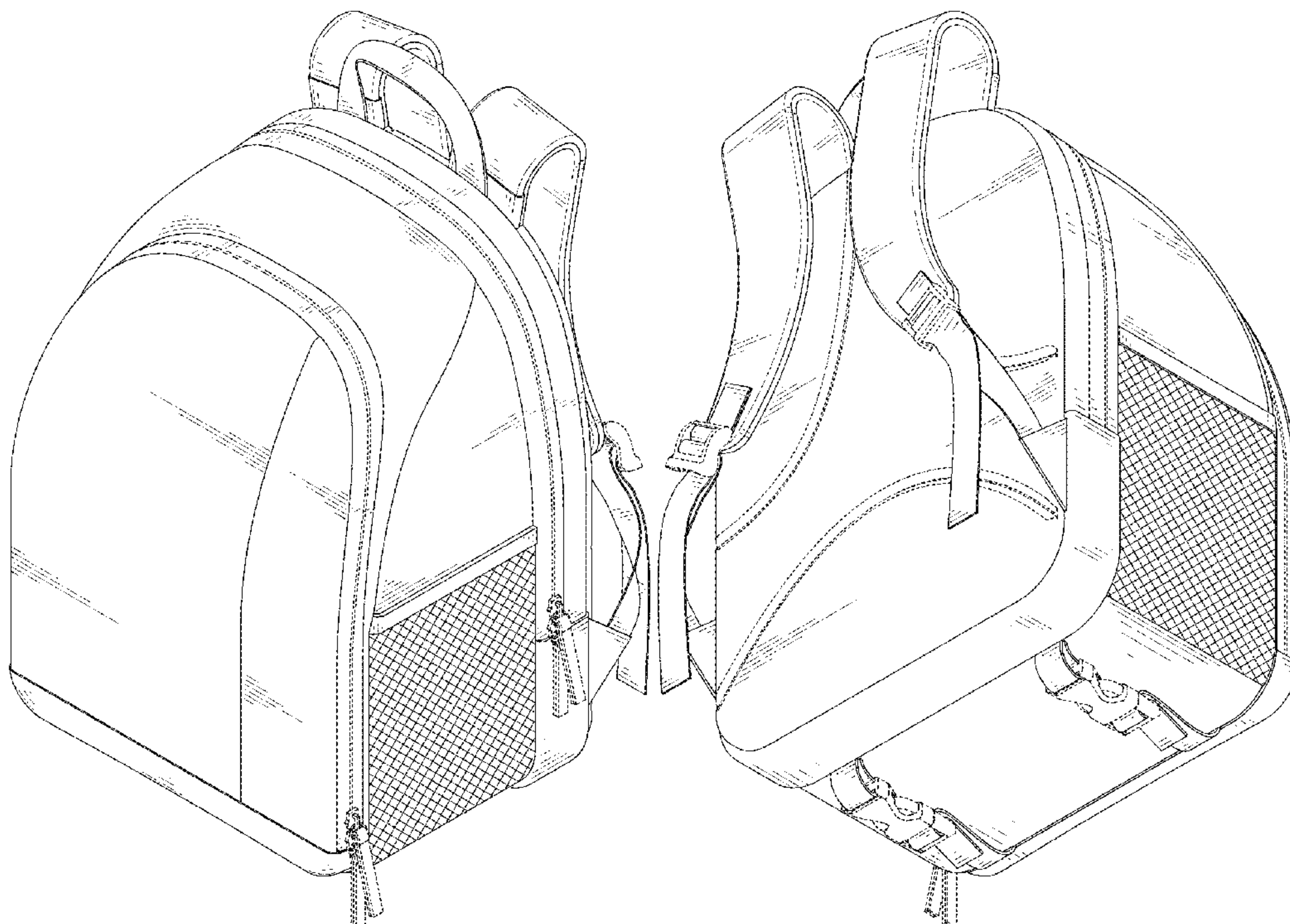
The ornamental design for a camera backpack, as shown and
described.

DESCRIPTION

FIG. 1 is a front, left side, top perspective view of a camera
backpack showing my new design;
FIG. 2 is a rear, right side, bottom perspective view thereof;
FIG. 3 is a front elevational view thereof;
FIG. 4 is a rear elevational view thereof;
FIG. 5 is a right side elevational view thereof;
FIG. 6 is a left side elevational view thereof;
FIG. 7 is a top plan view thereof;
FIG. 8 is a bottom plan view thereof; and,
FIG. 9 is a front, left side, top perspective view thereof
showing the front of the backpack in its open position so as
to disclose various camera component compartments within
the camera backpack.

The broken lines depict portions of the camera backpack that
form no part of the claimed design.

1 Claim, 9 Drawing Sheets



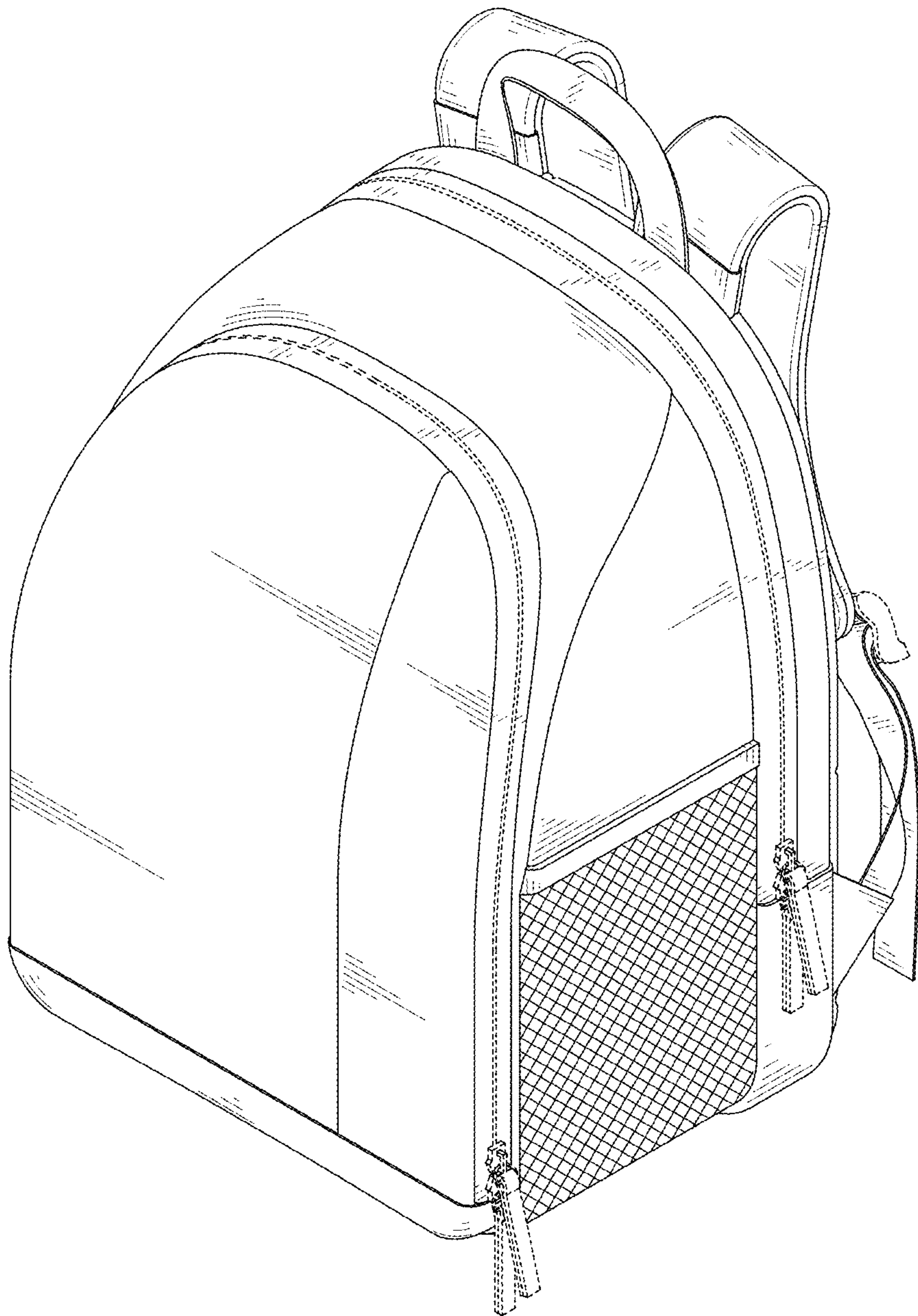


FIG. 1

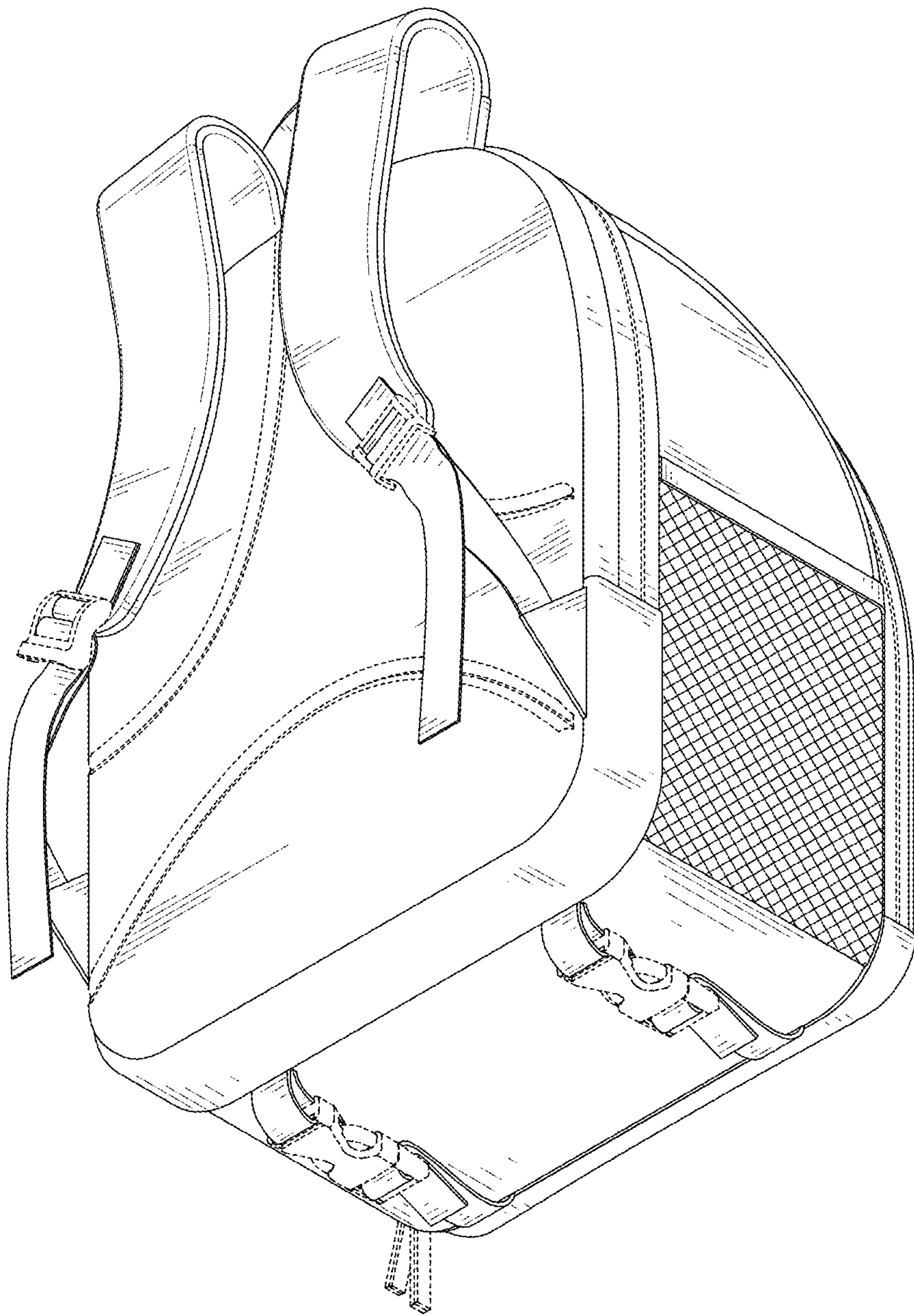


FIG. 2

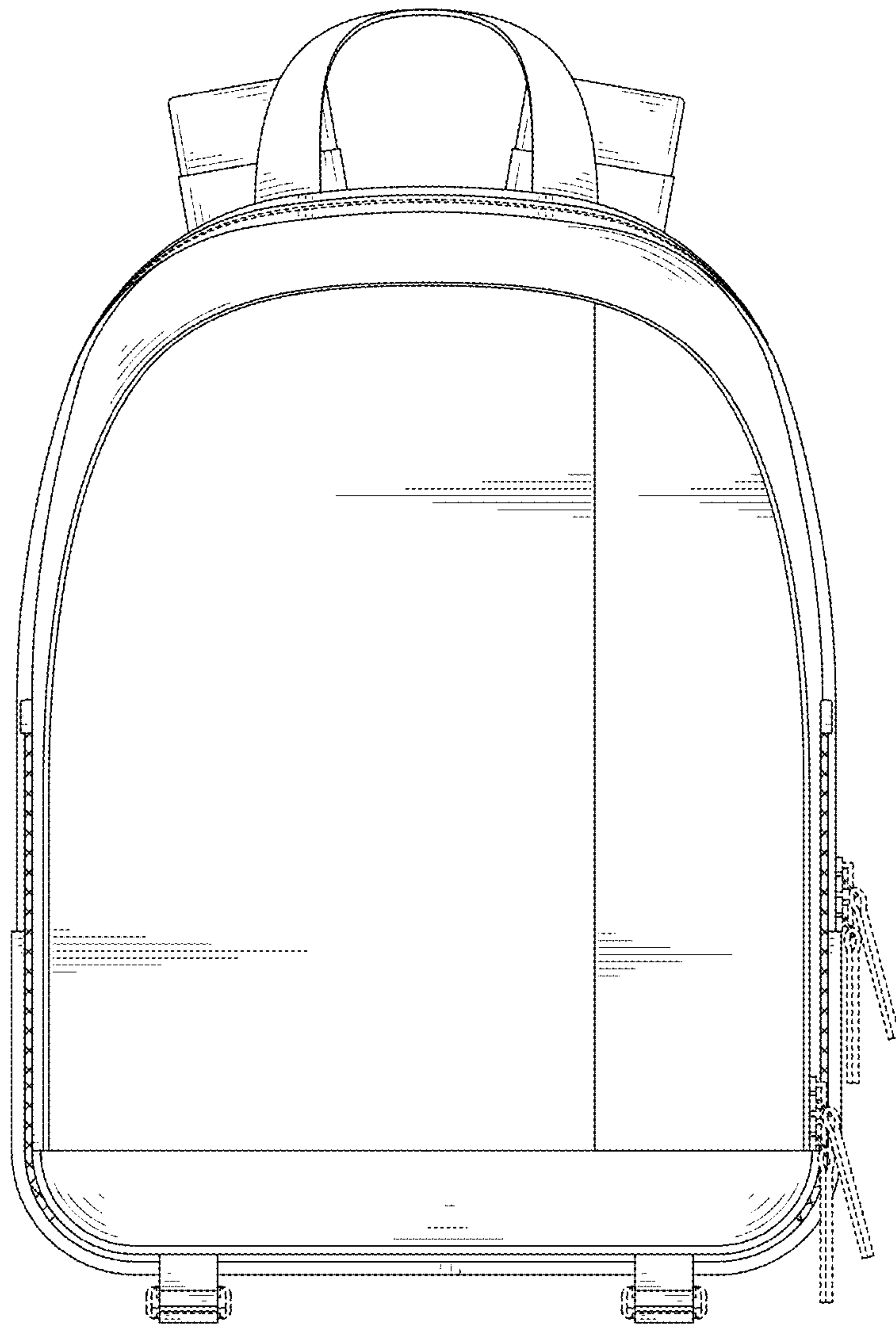


FIG. 3

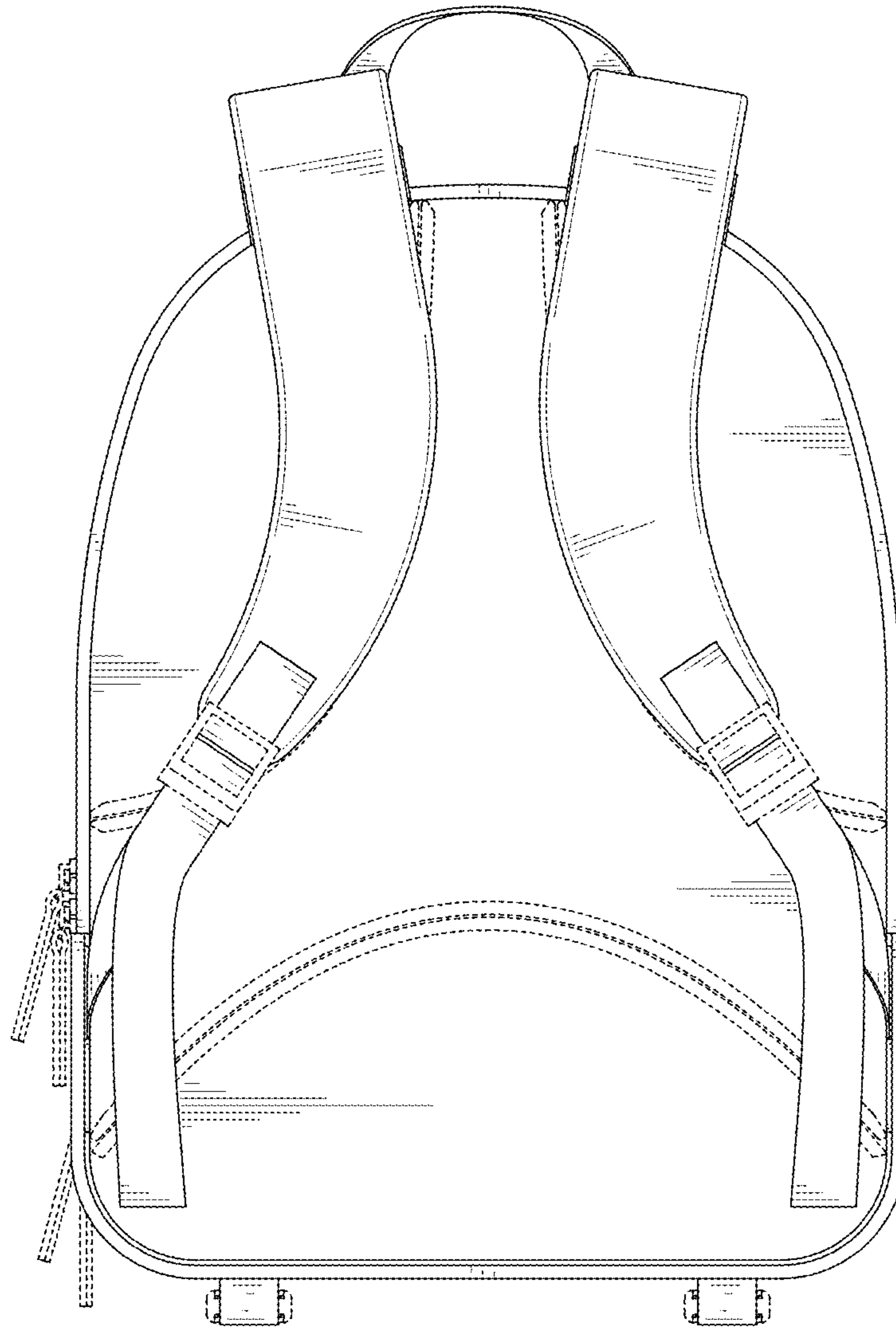


FIG. 4

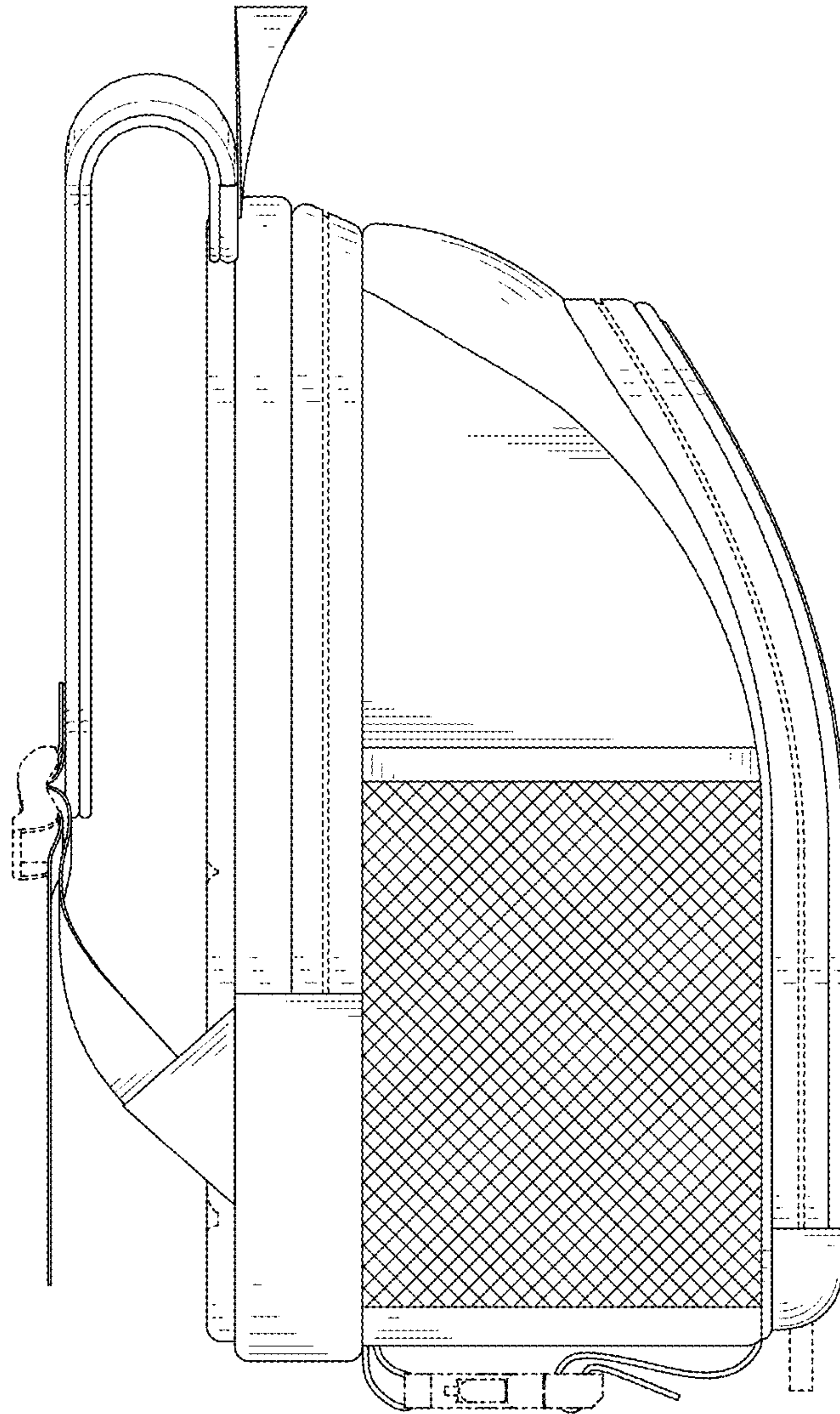


FIG. 5

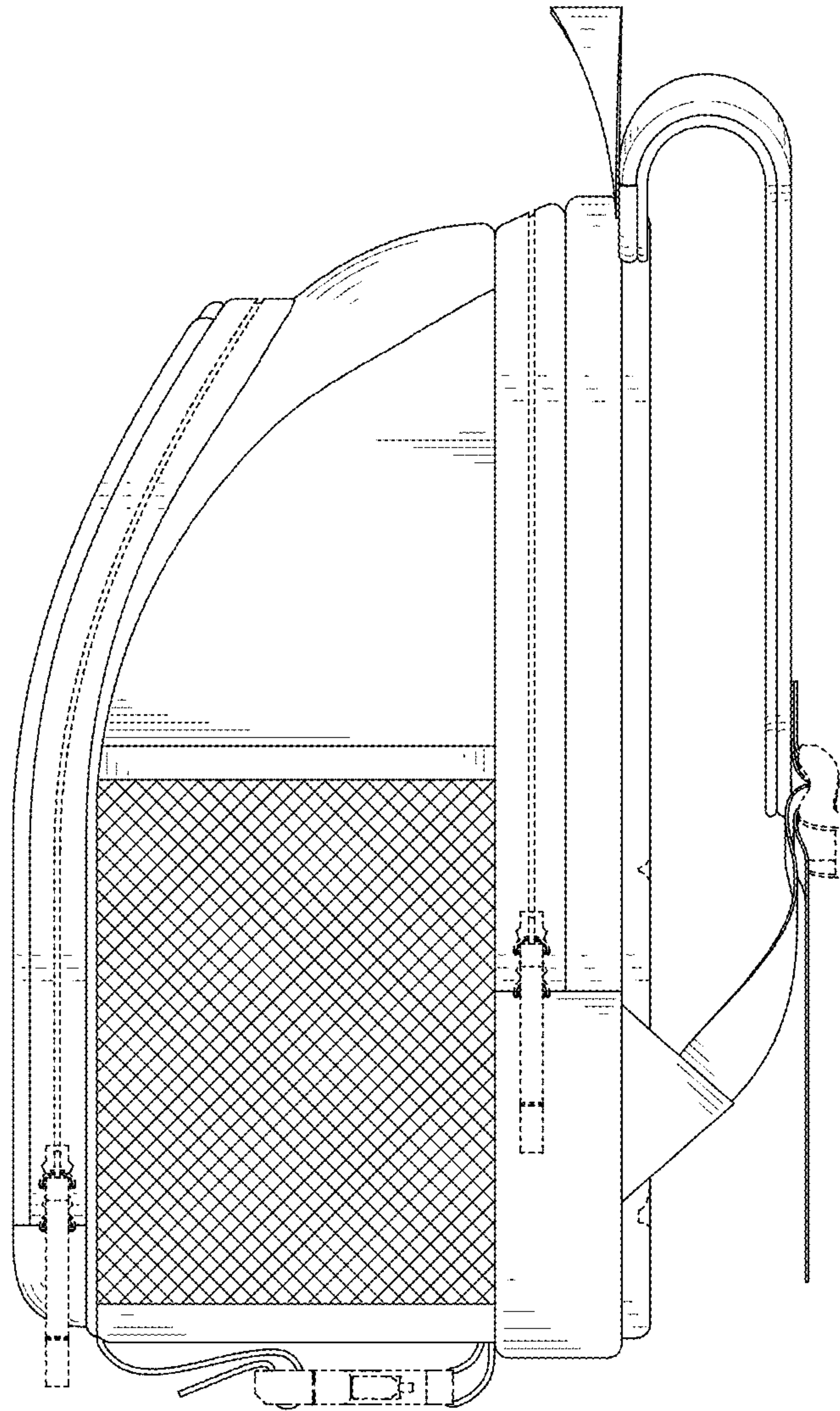


FIG. 6

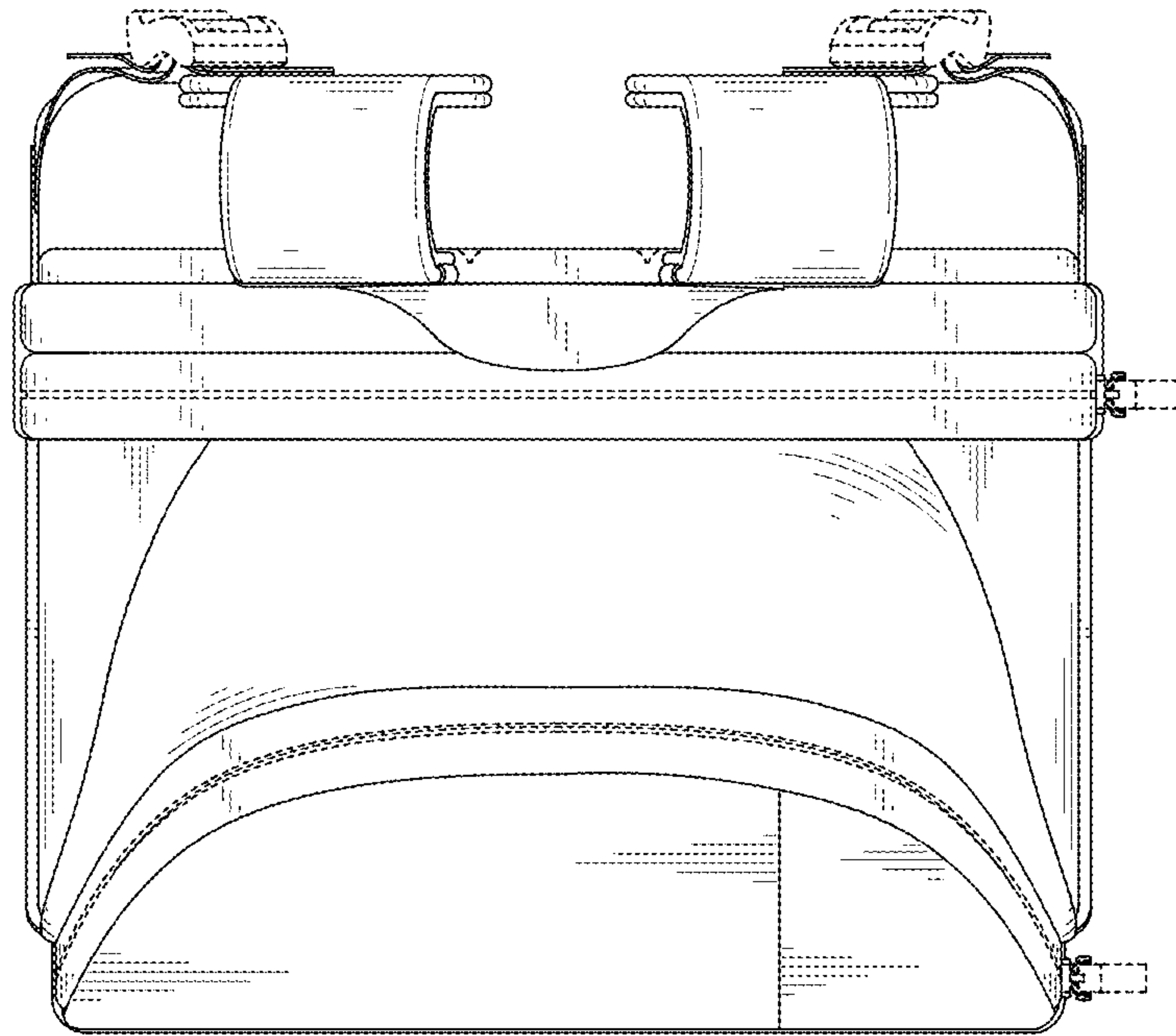


FIG. 7

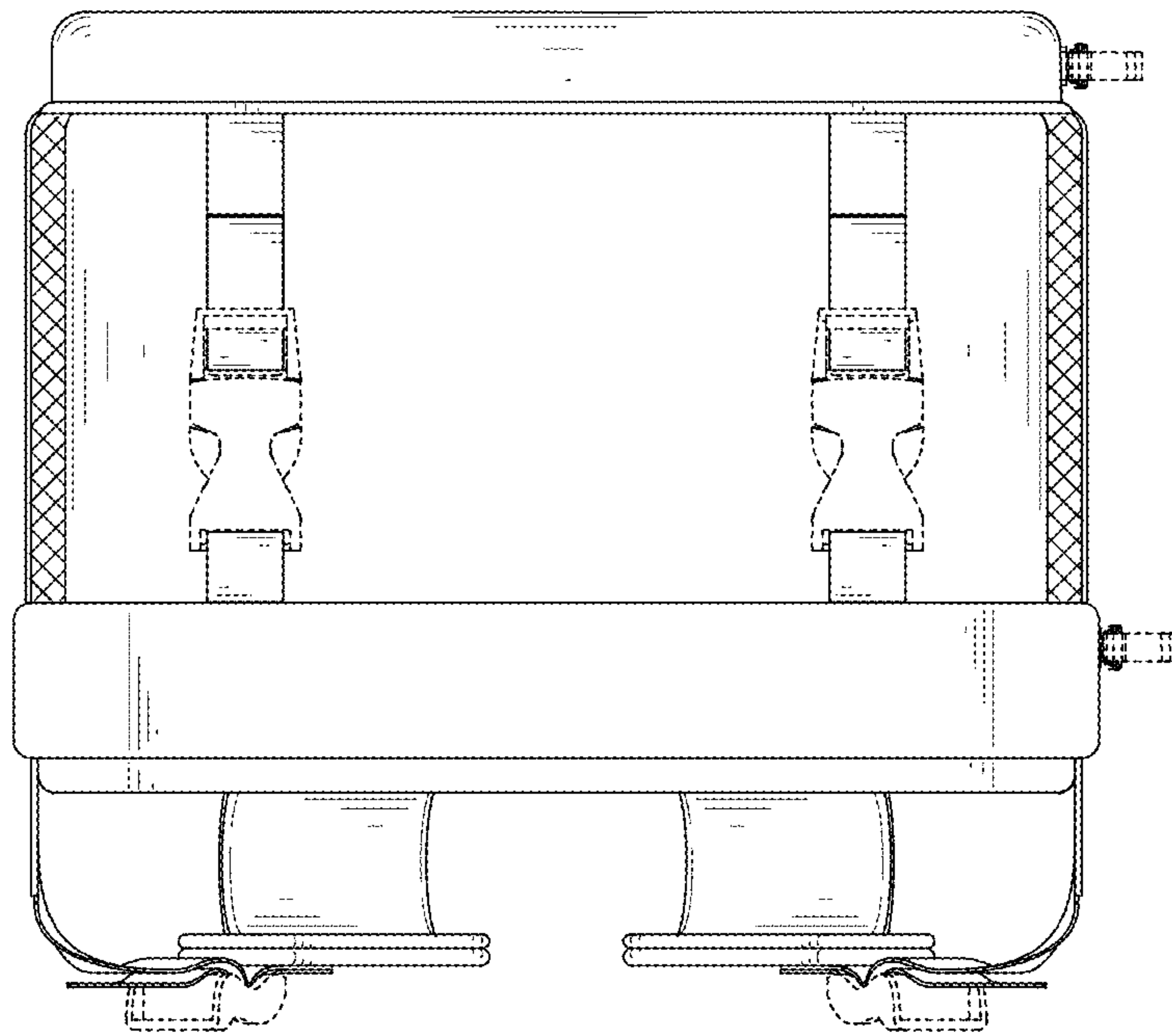


FIG. 8



FIG. 9