



US00D905426S

(12) **United States Design Patent** (10) **Patent No.:** **US D905,426 S**
Li (45) **Date of Patent:** **** Dec. 22, 2020**

(54) **MAKEUP CASE**

(71) Applicant: **Fujian Shuangyi Bamboo and Wood Development Co., Ltd**, Nanping (CN)

(72) Inventor: **Zhisheng Li**, Nanping (CN)

(**) Term: **15 Years**

(21) Appl. No.: **29/694,015**

(22) Filed: **Jun. 6, 2019**

(51) **LOC (12) Cl.** **03-03**

(52) **U.S. Cl.**
USPC **D3/205**

(58) **Field of Classification Search**
USPC D3/205, 206
CPC A45C 11/00; A45C 11/008; A45C 11/26;
A45C 2011/007; A45C 9/00; A45D 44/18
See application file for complete search history.

(56) **References Cited**

U.S. PATENT DOCUMENTS

D350,836 S *	9/1994	Chevassus	D28/76
D457,302 S *	5/2002	Bardet	D3/206
D535,186 S *	1/2007	Tanner	D9/422
D554,986 S *	11/2007	Galesi	D9/424
D799,761 S *	10/2017	Dia	D30/199
D854,261 S *	7/2019	Dunkle	D30/199
D887,703 S *	6/2020	Charm	D3/203.3

* cited by examiner

Primary Examiner — Charles D Hanson

(74) *Attorney, Agent, or Firm* — W&K IP

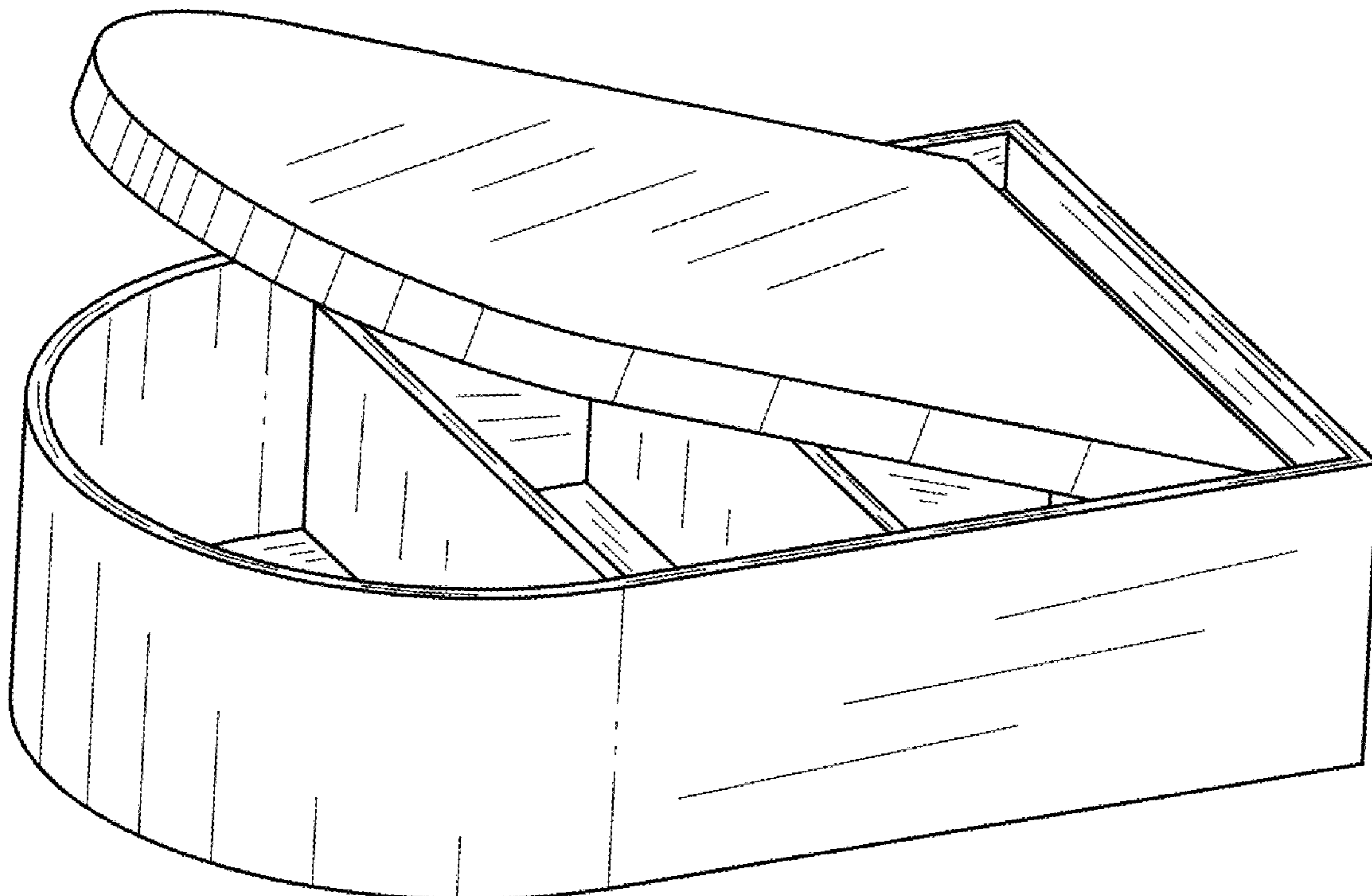
(57) **CLAIM**

The ornamental design for a makeup case, as shown and described.

DESCRIPTION

FIG. 1 is a bottom plan of a makeup case;
 FIG. 2 is a left side view thereof;
 FIG. 3 is a front view thereof;
 FIG. 4 is a top plan view thereof;
 FIG. 5 is a right side view thereof;
 FIG. 6 is a rear view thereof;
 FIG. 7 is a perspective view of first embodiment (close cover) thereof;
 FIG. 8 is a perspective view of second embodiment (open cover) thereof;
 FIG. 9 is a perspective view of third embodiment (open cover) thereof;
 FIG. 10 is a front view of the case cover;
 FIG. 11 is a bottom plan view thereof;
 FIG. 12 is a left side view thereof;
 FIG. 13 is a rear view thereof;
 FIG. 14 is a top plan view thereof;
 FIG. 15 is a right side view thereof;
 FIG. 16 is a perspective view of case cover thereof;
 FIG. 17 is a front view of the case;
 FIG. 18 is a bottom plan view thereof;
 FIG. 19 is a left side view thereof;
 FIG. 20 is a rear view thereof;
 FIG. 21 is a top plan view thereof;
 FIG. 22 is a right side view thereof; and,
 FIG. 23 is a perspective view of case thereof.

1 Claim, 7 Drawing Sheets



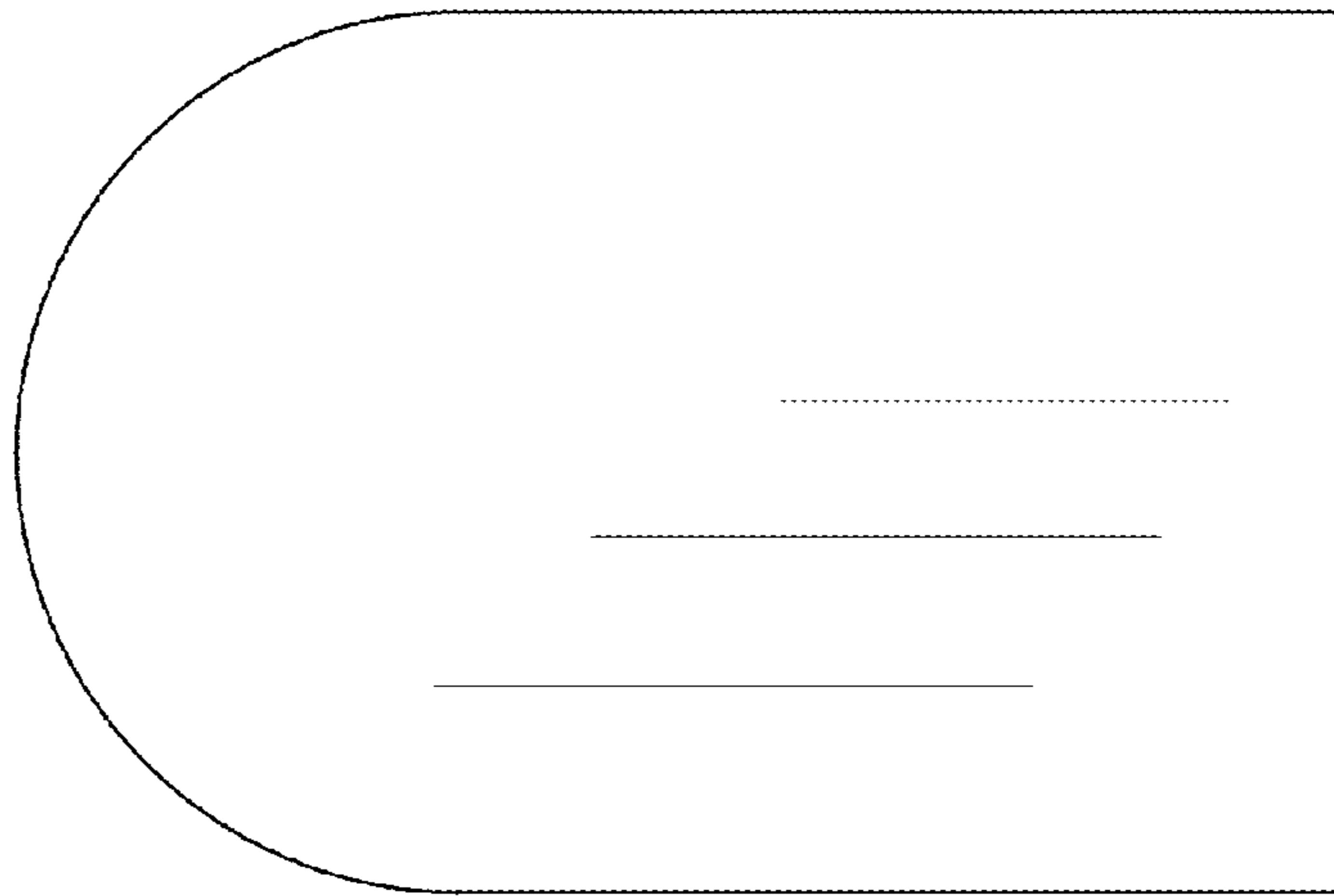


FIG.1

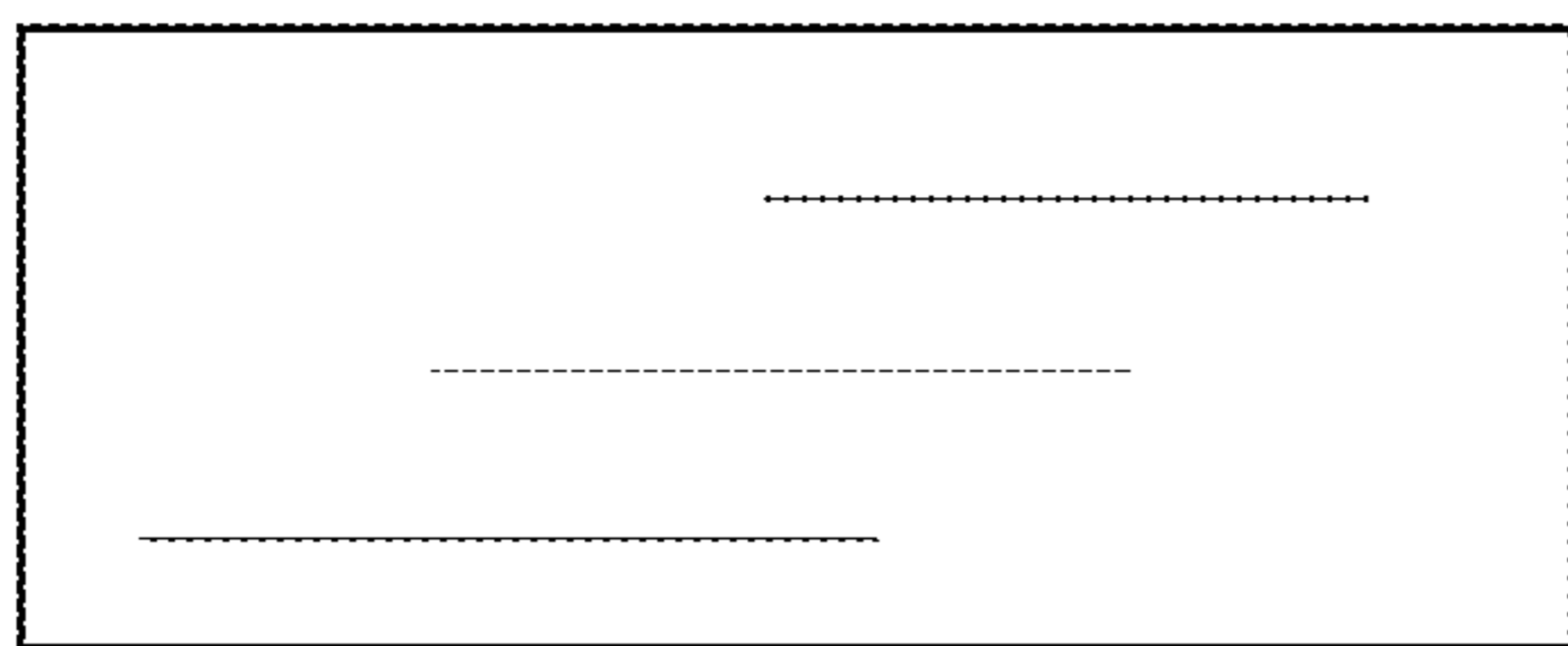


FIG.2

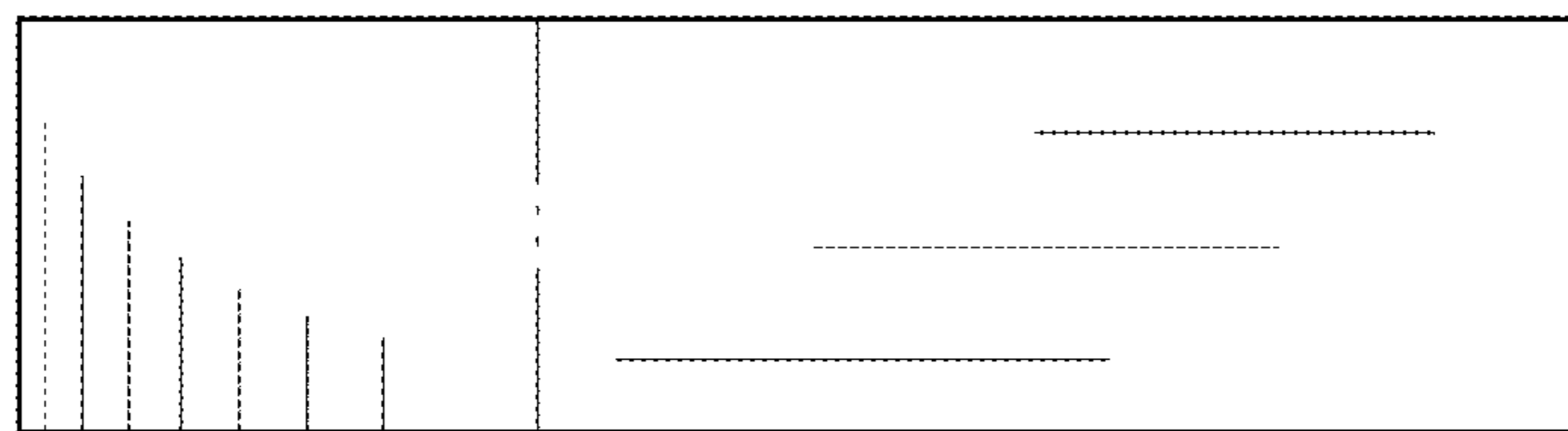


FIG.3

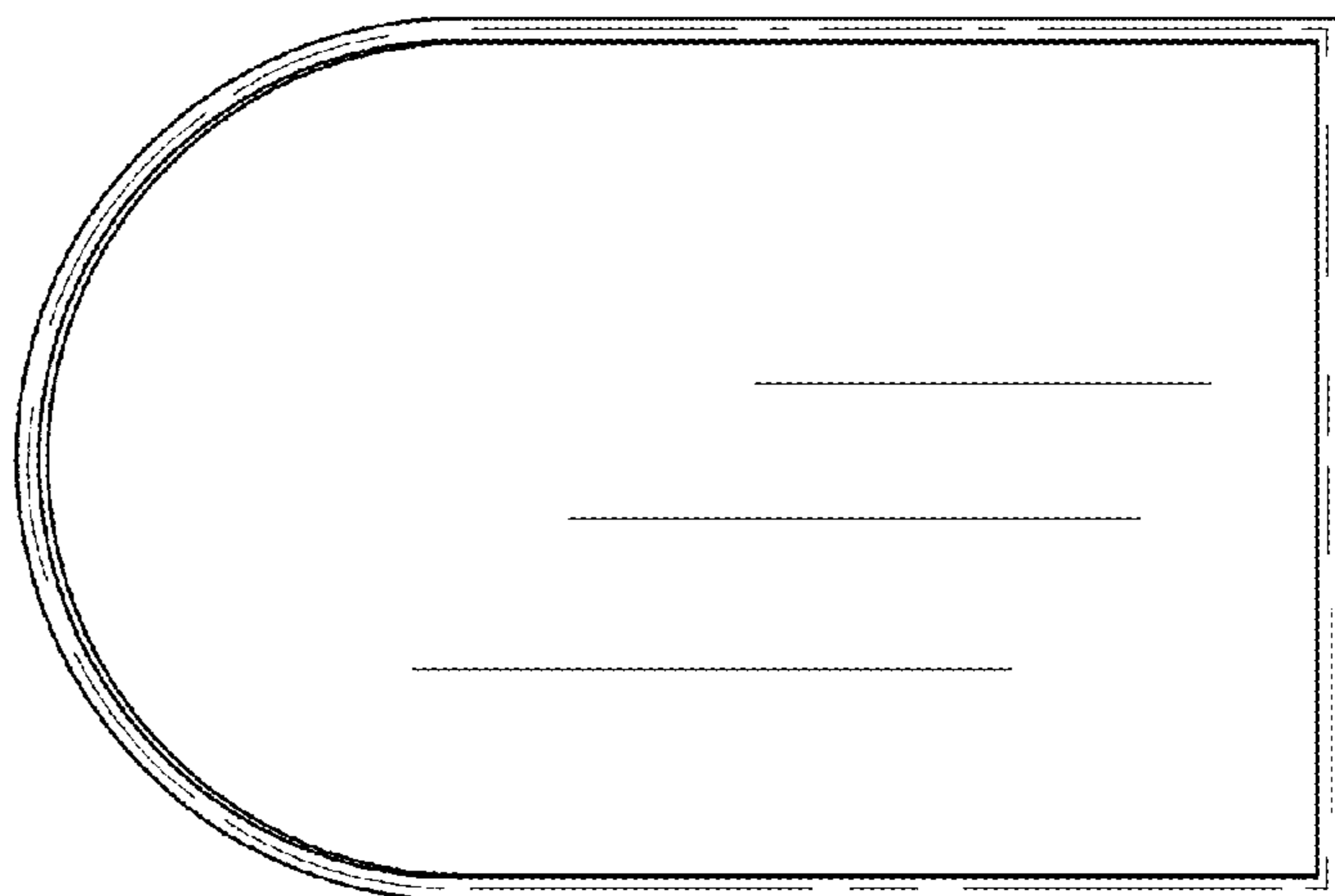


FIG.4

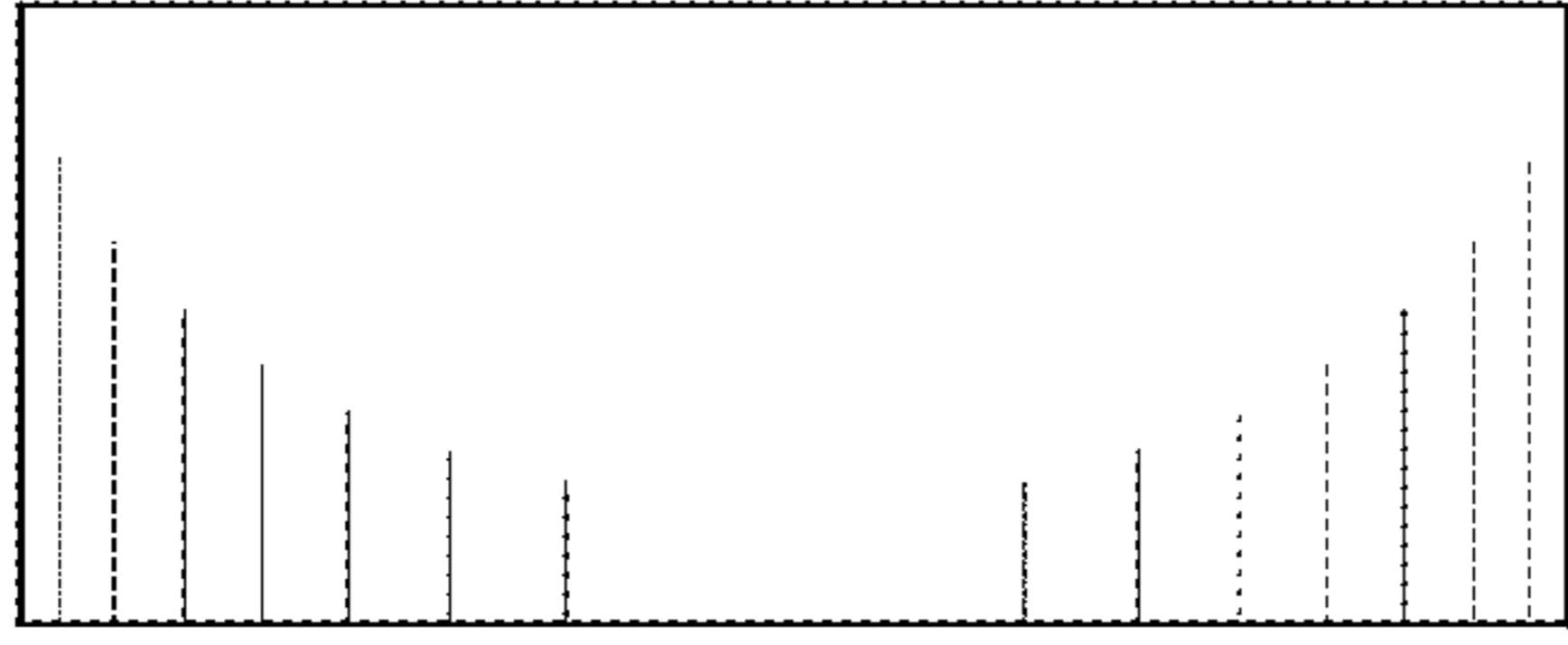


FIG. 5

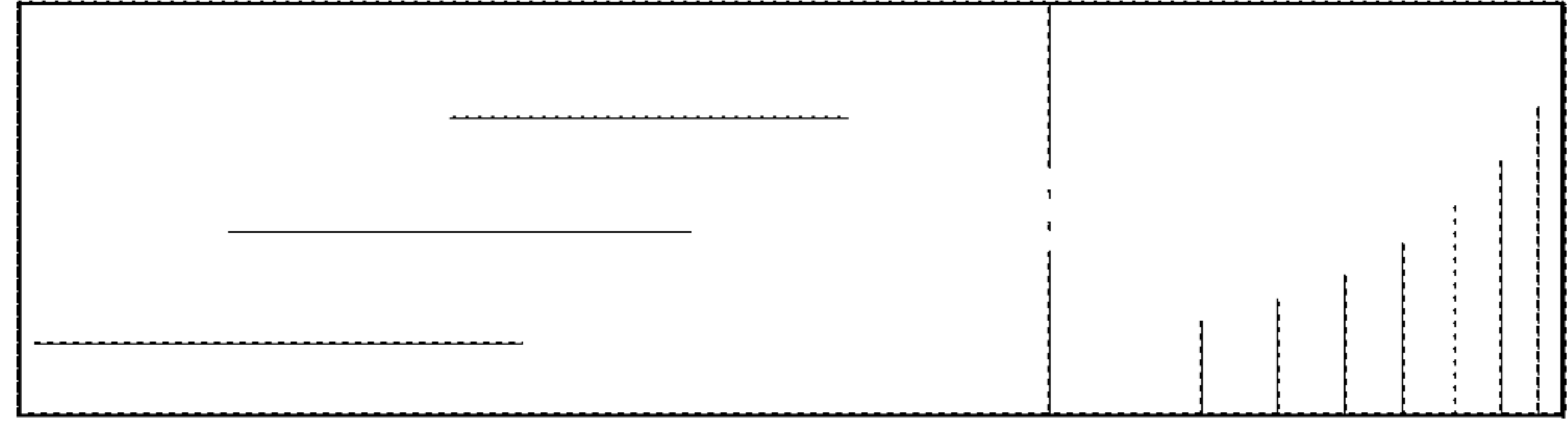


FIG. 6

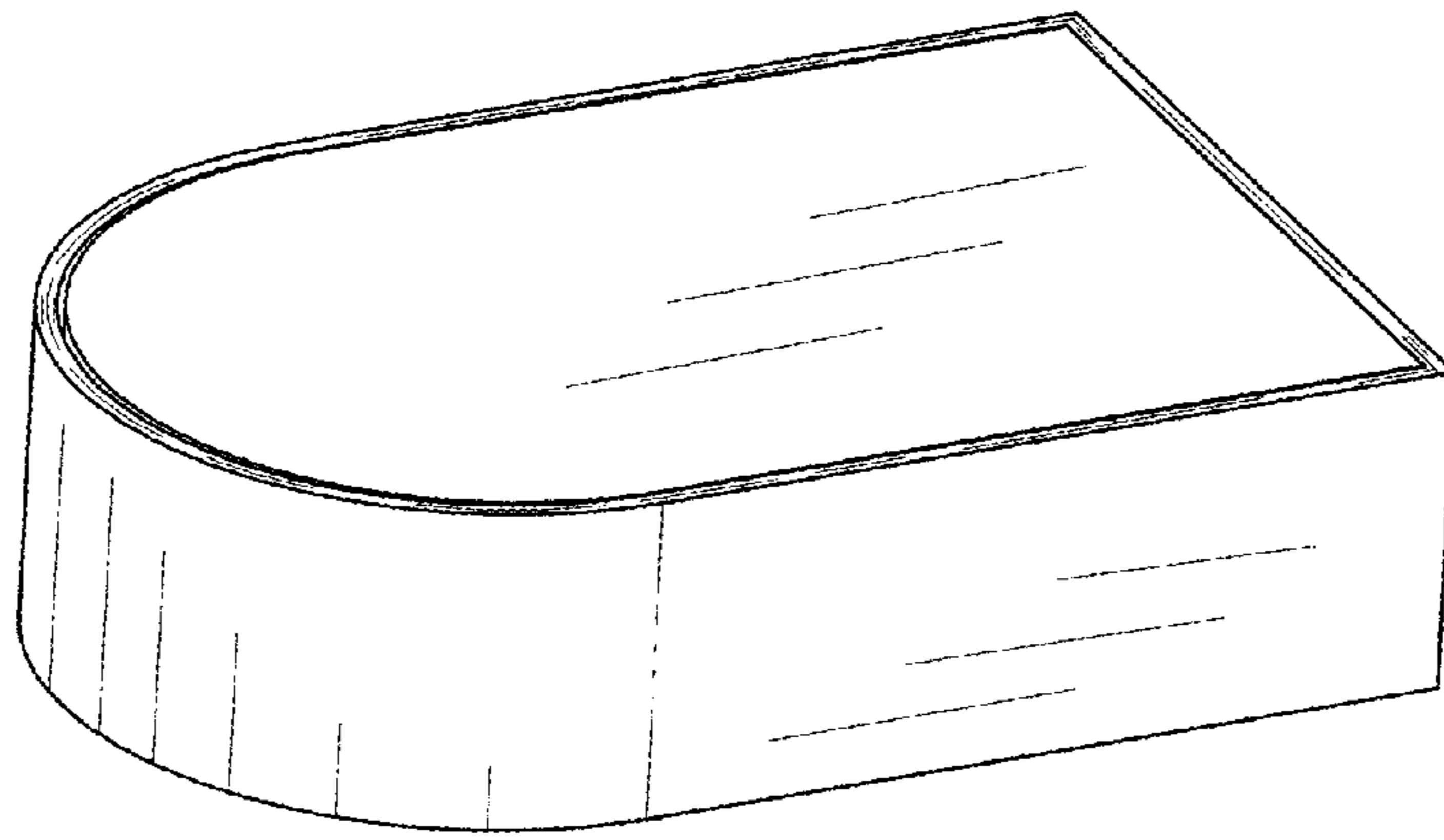


FIG. 7

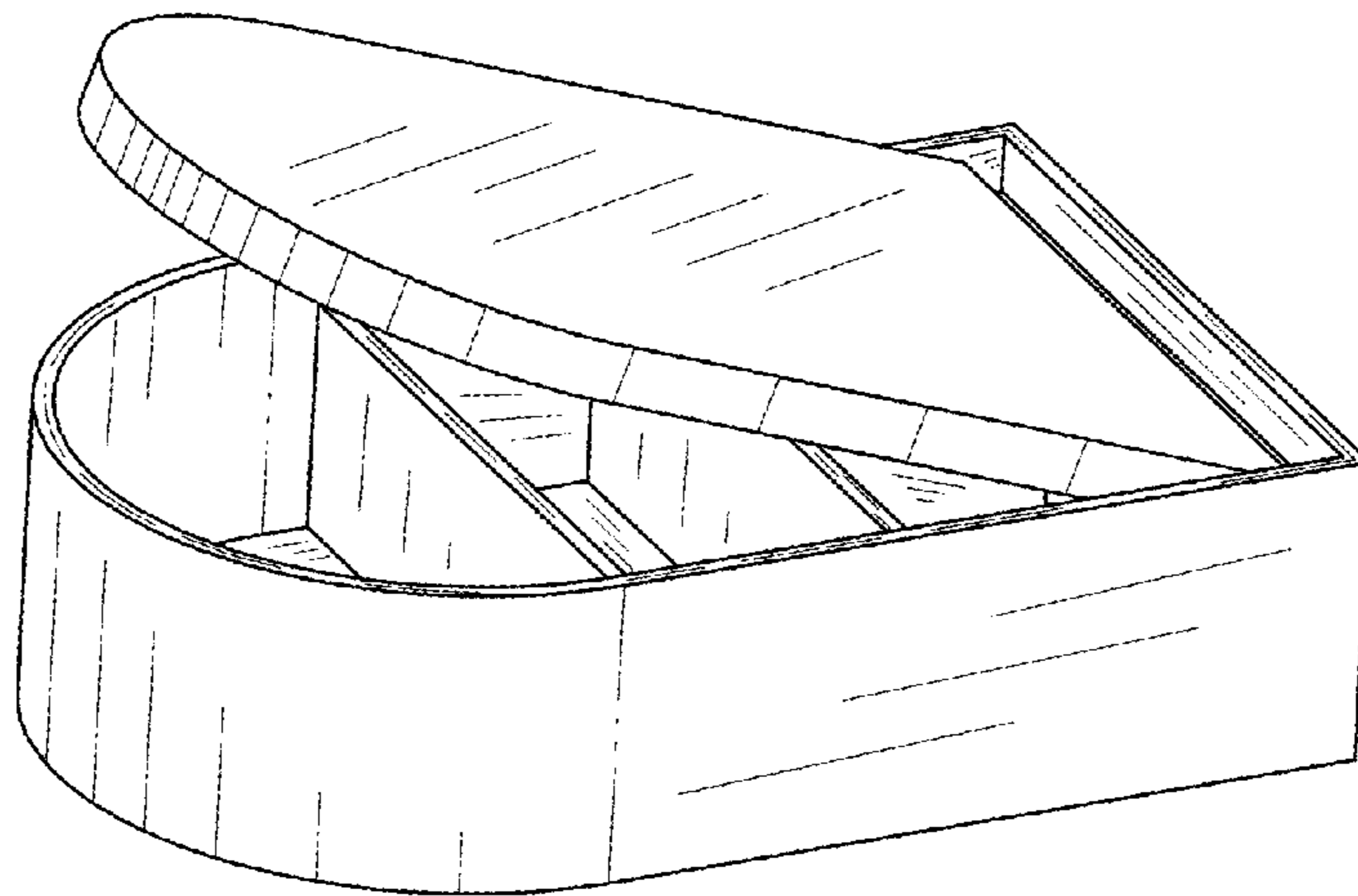


FIG. 8

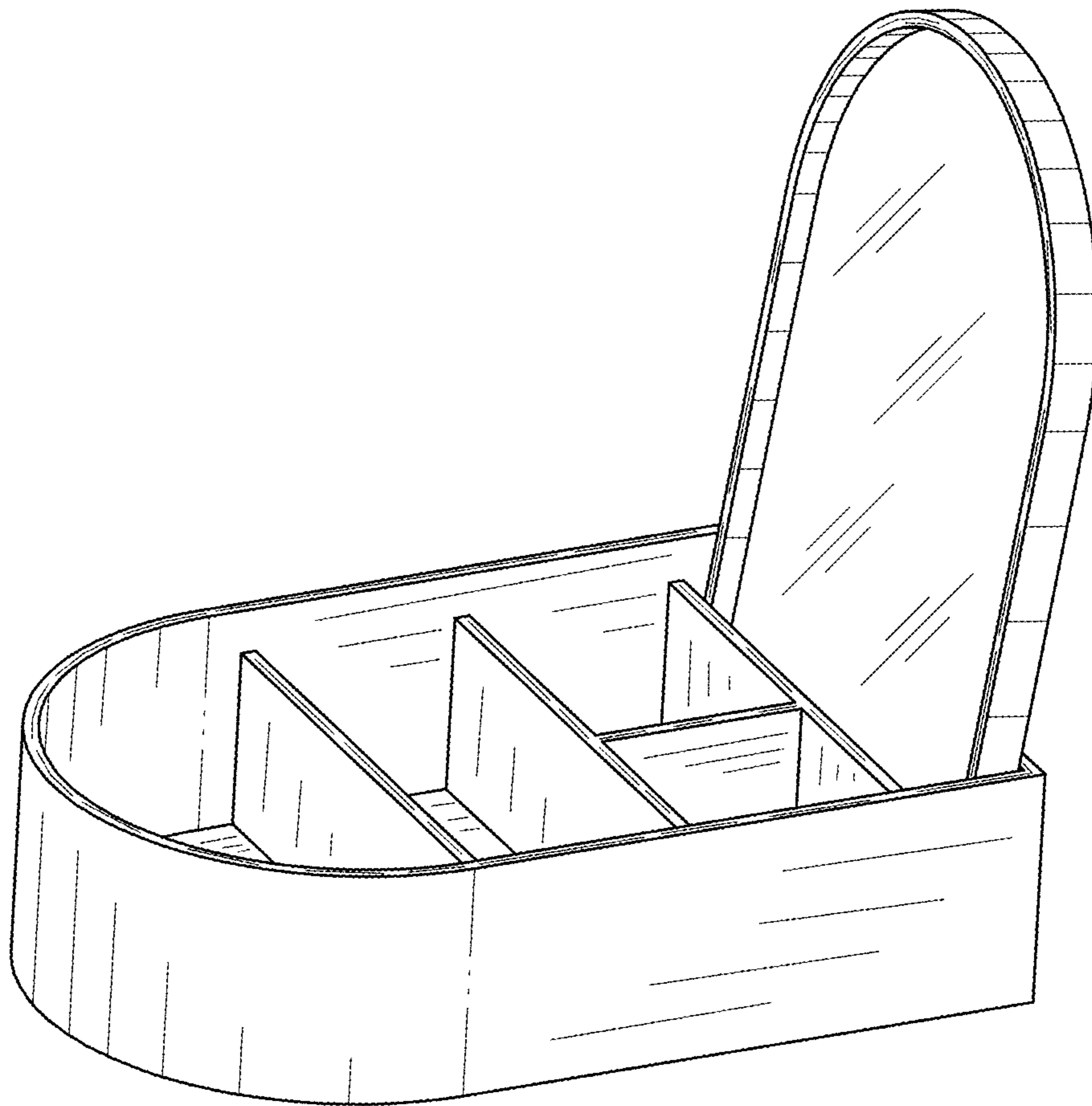


FIG.9



FIG. 10

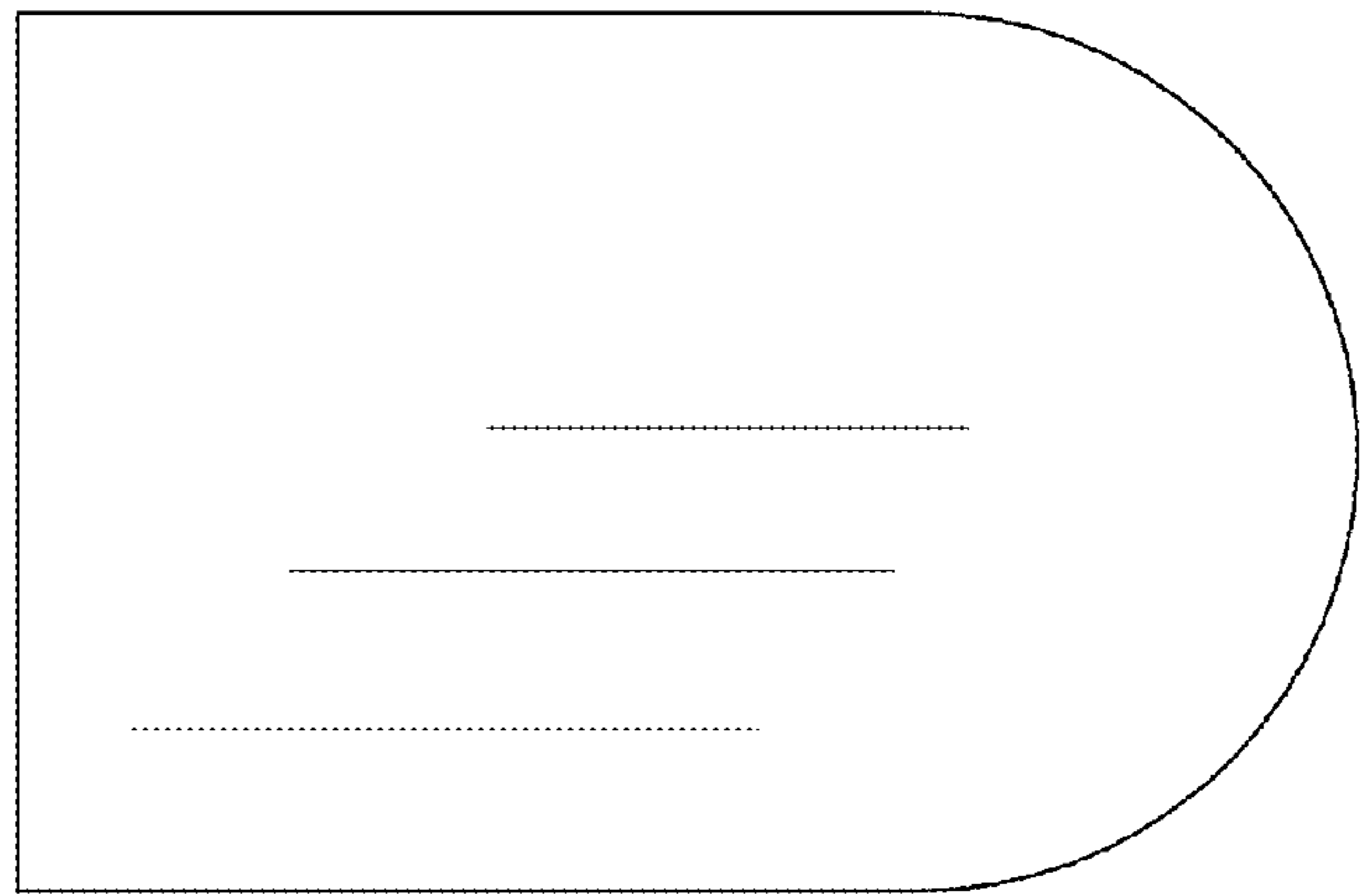


FIG. 11

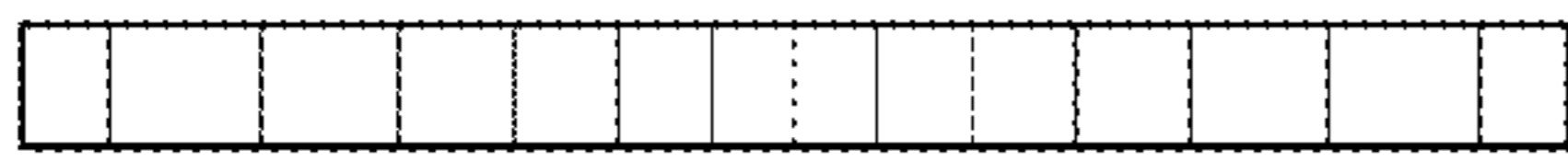


FIG. 12

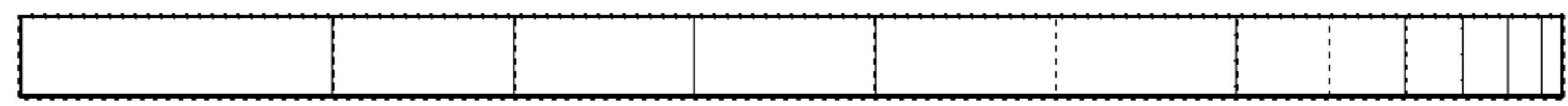


FIG. 13

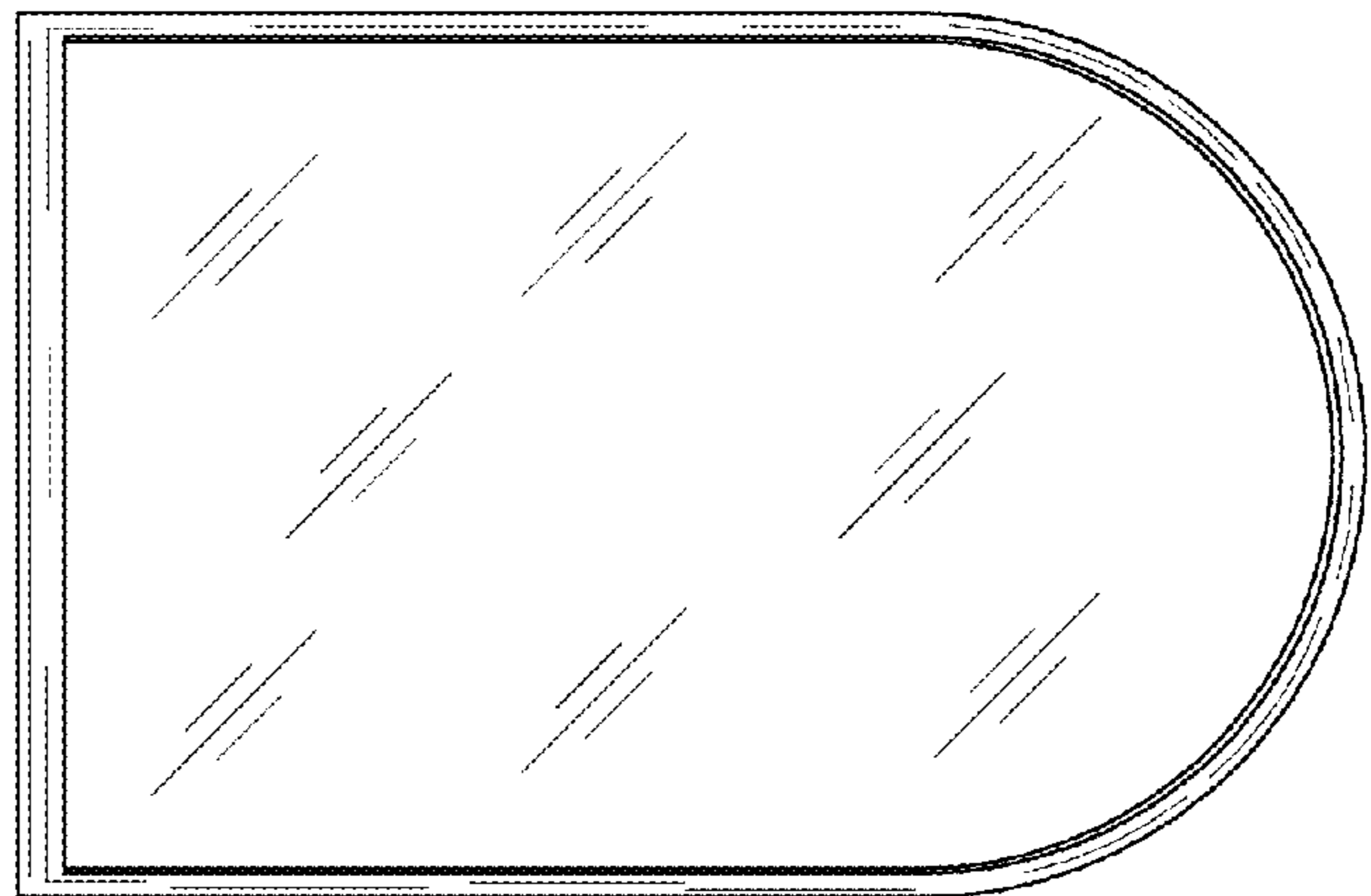


FIG. 14

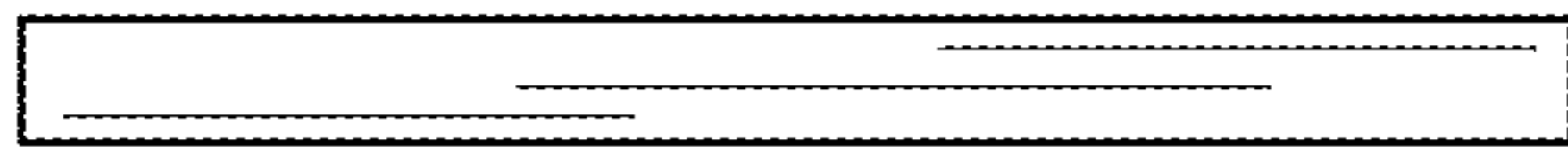


FIG.15

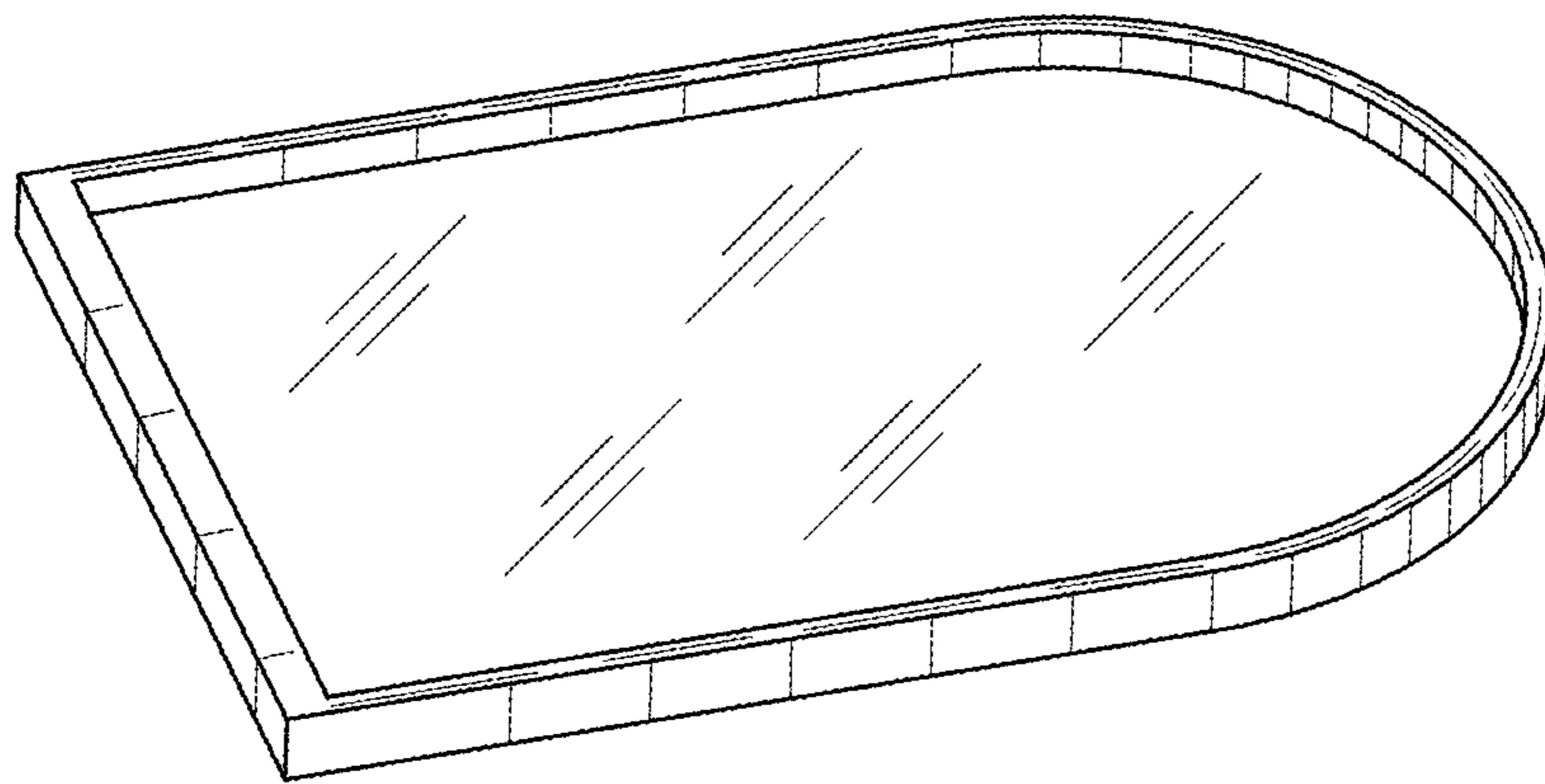


FIG.16

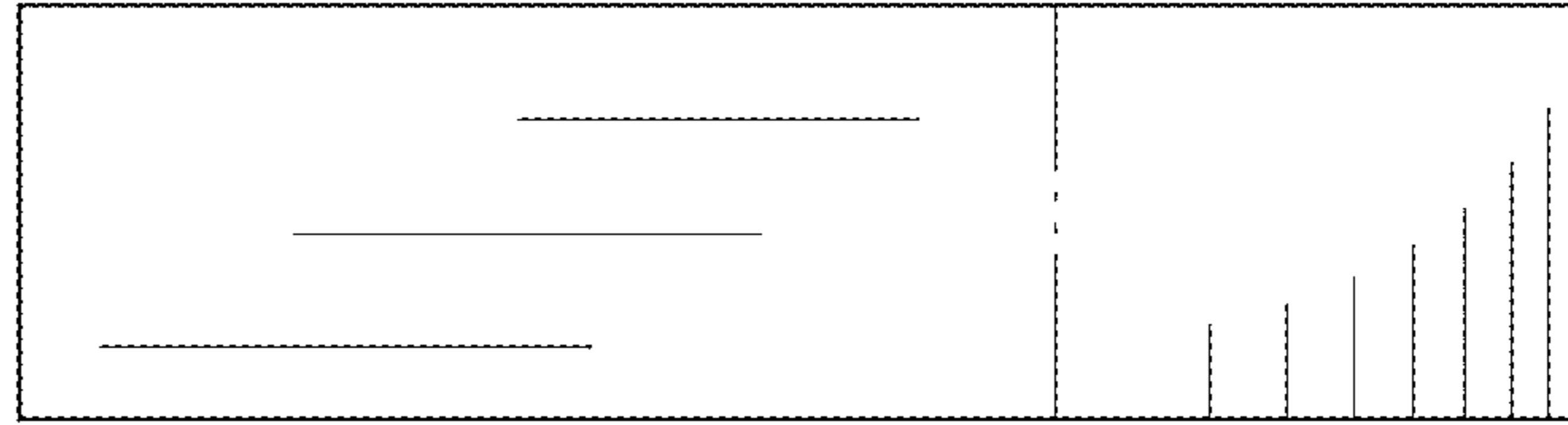


FIG.17

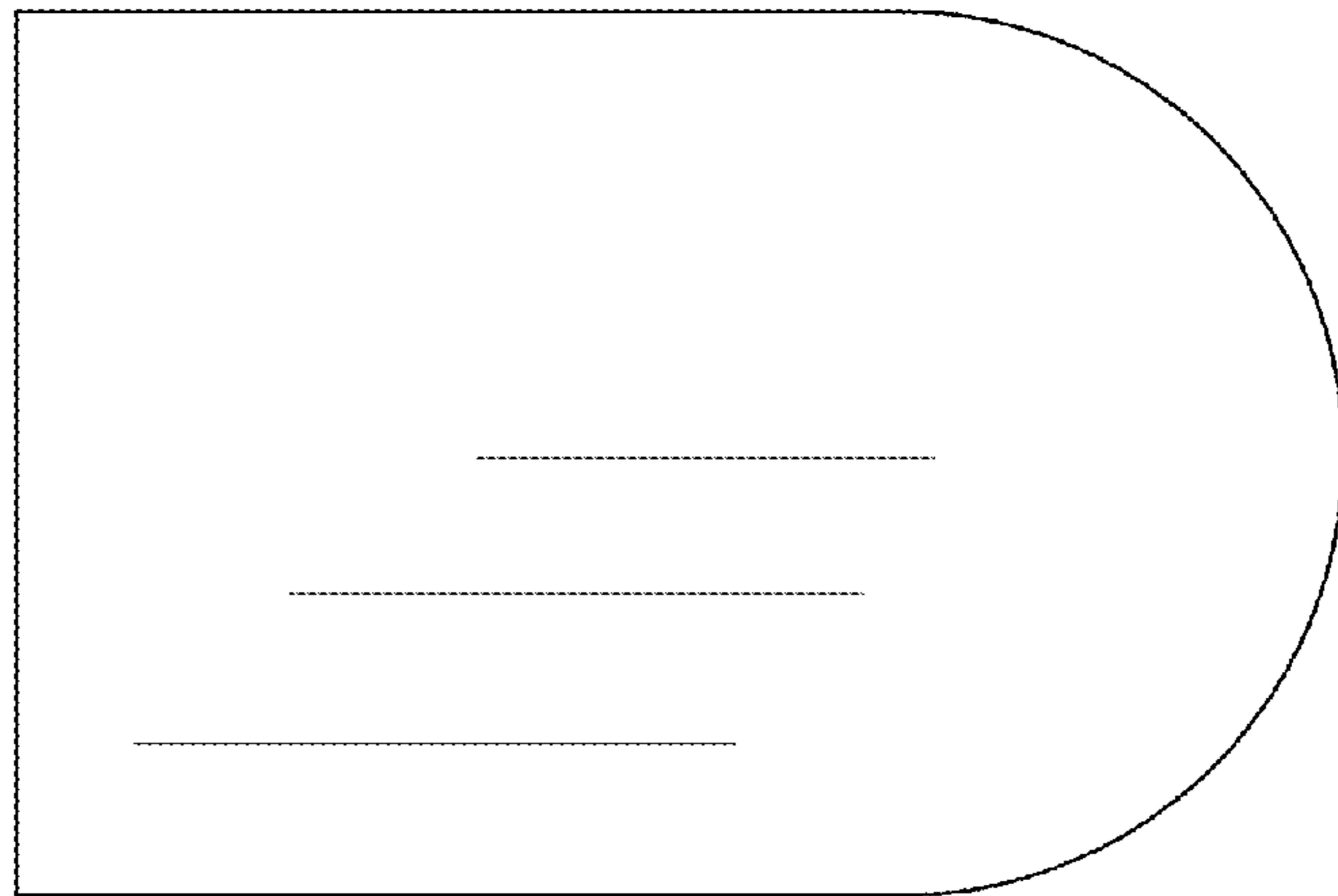


FIG.18

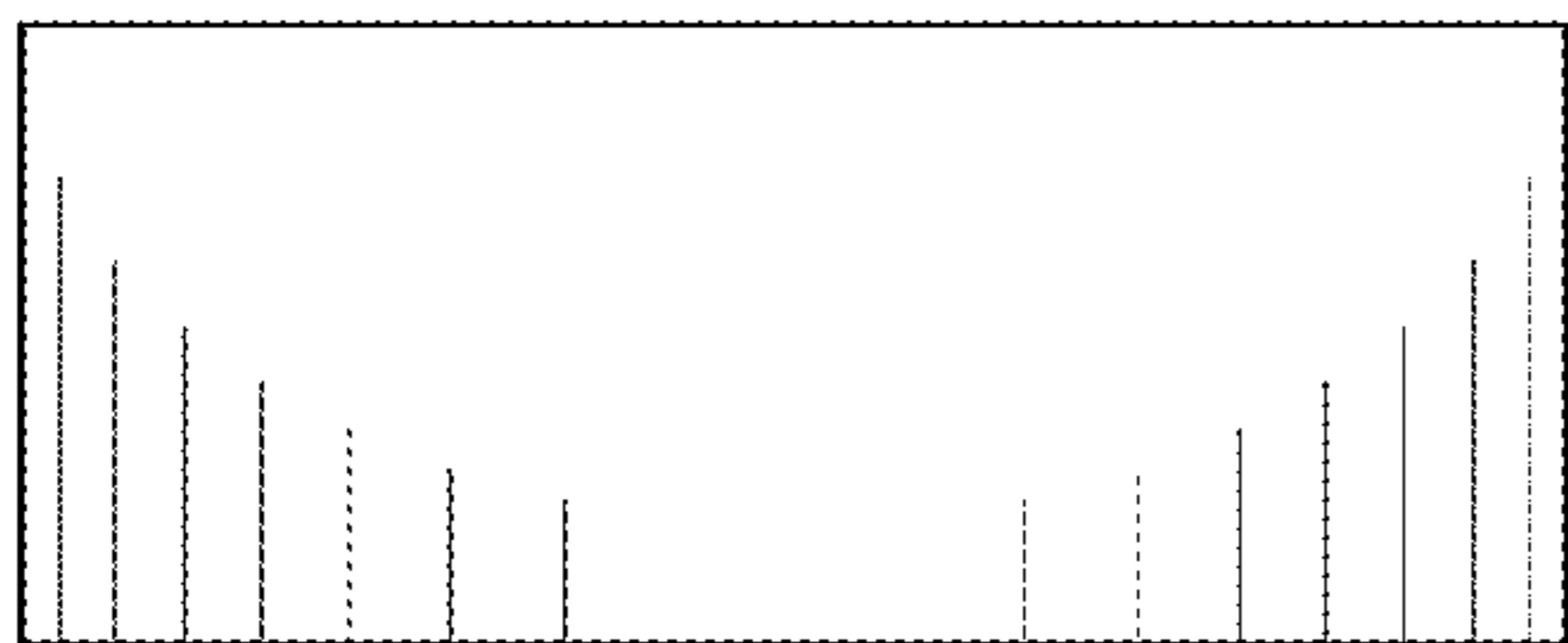


FIG.19

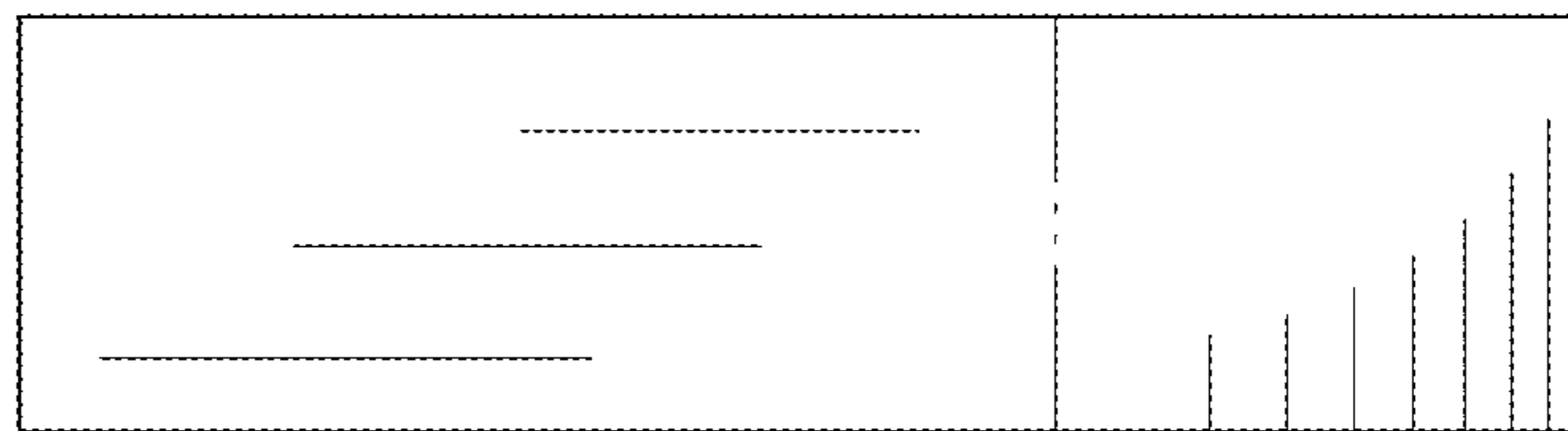


FIG.20

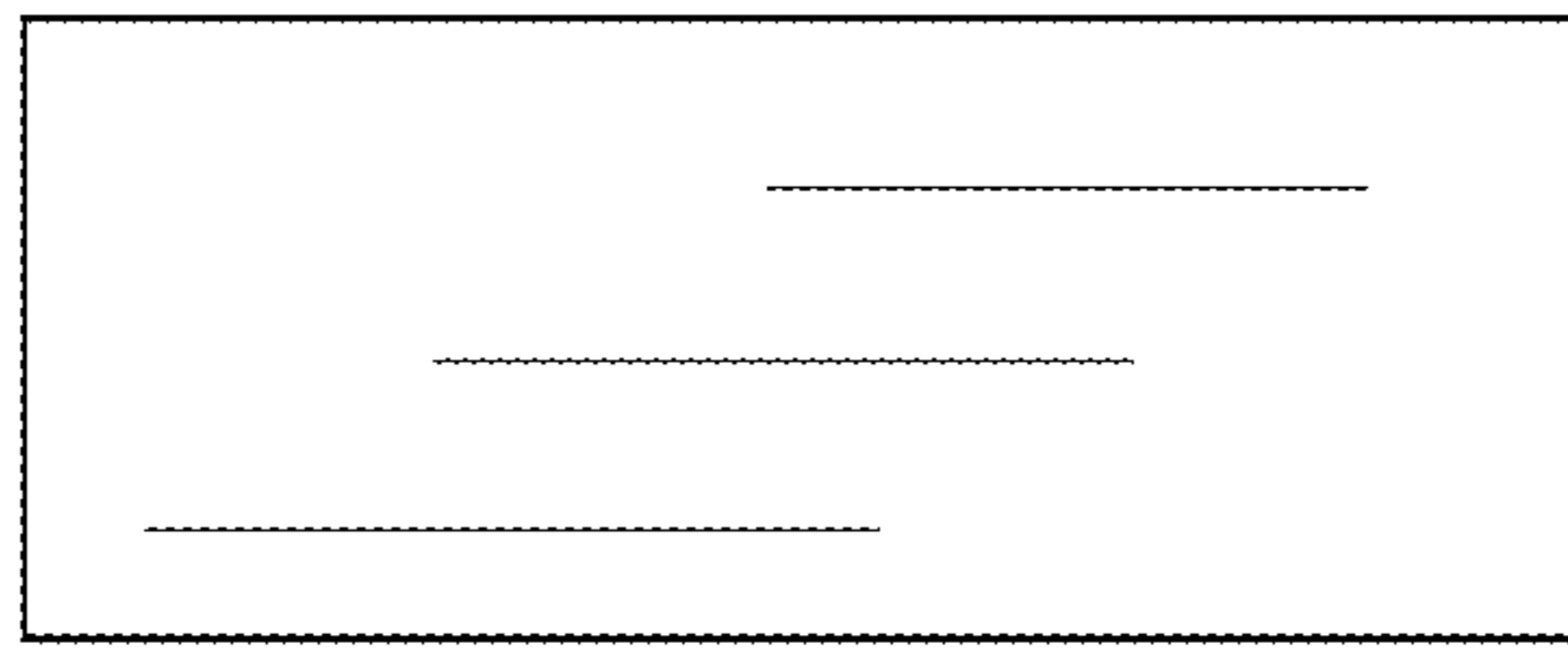


FIG.21

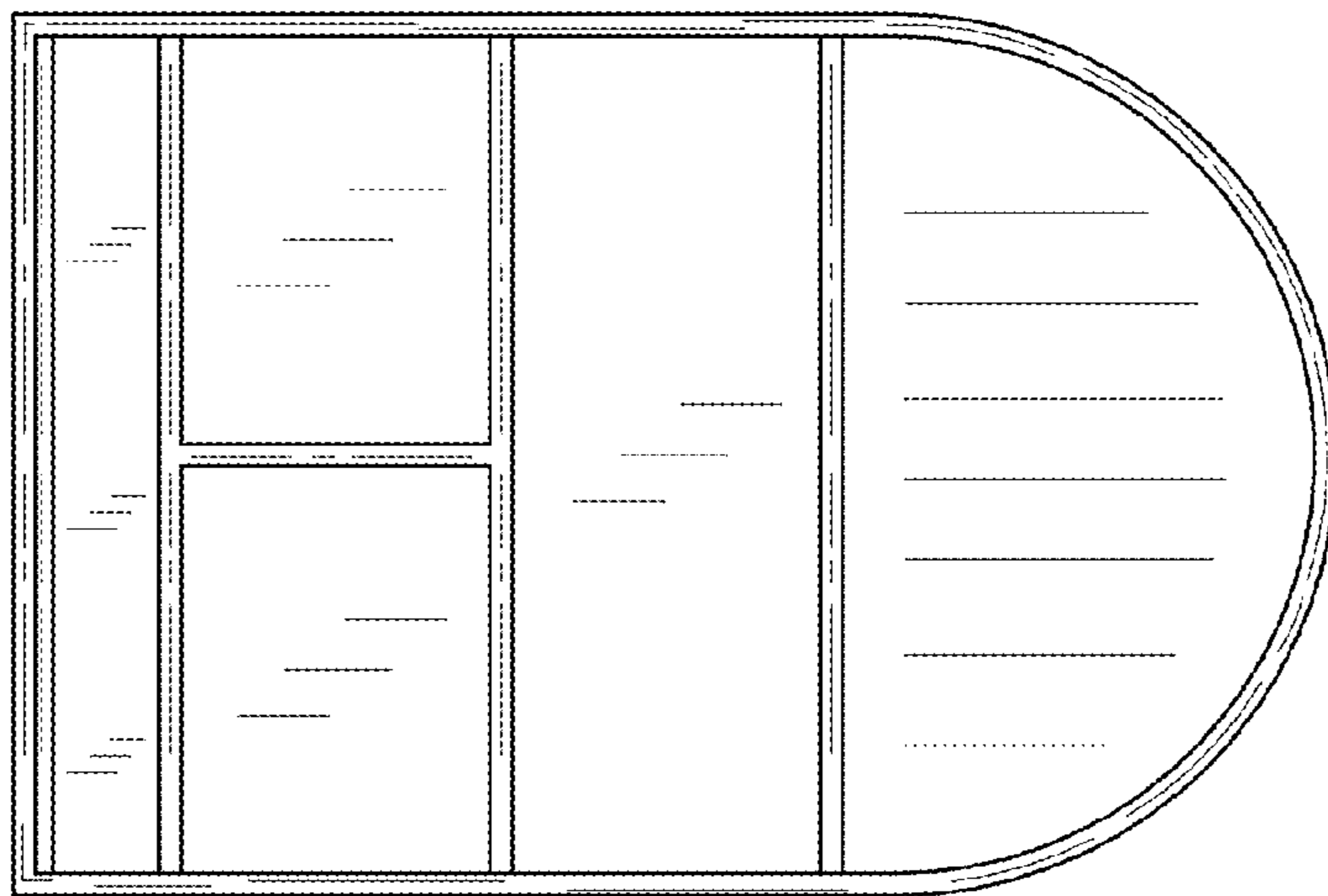


FIG.22

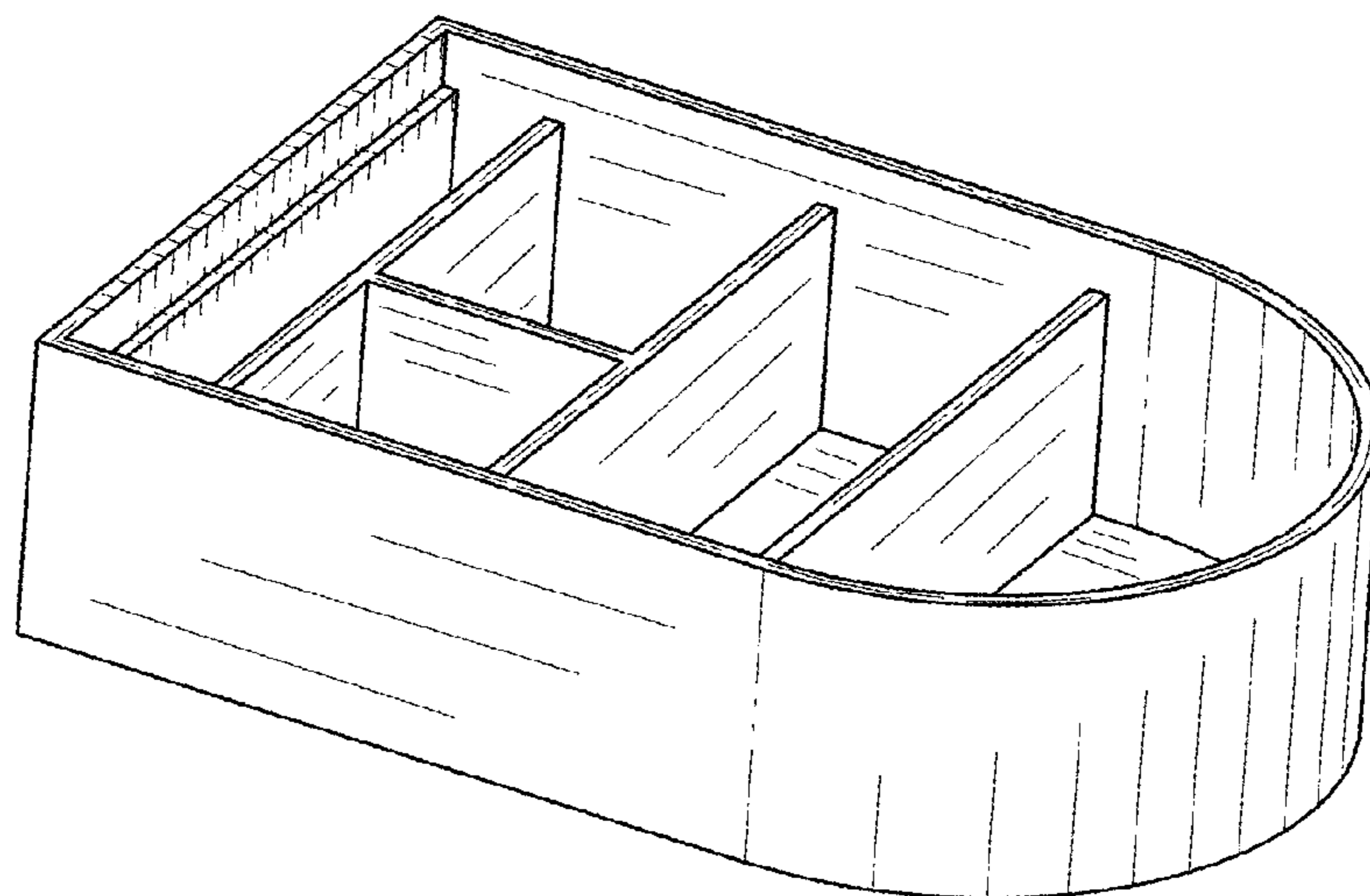


FIG.23