



US00D905394S

(12) **United States Design Patent** (10) **Patent No.:** **US D905,394 S**
Schultze (45) **Date of Patent:** **** Dec. 22, 2020**

(54) **SHOE**
(71) Applicant: **NIKE, Inc.**, Beaverton, OR (US)
(72) Inventor: **Nathan G. Schultze**, Portland, OR (US)
(73) Assignee: **NIKE, Inc.**, Beaverton, OR (US)
(**) Term: **15 Years**
(21) Appl. No.: **29/702,096**

D295,578 S 5/1988 Tong
D297,184 S 8/1988 Tong
D299,787 S 2/1989 Bates
D301,935 S 7/1989 Jonah
D302,763 S 8/1989 Kilgore et al.
D304,876 S 12/1989 Brown et al.
D321,584 S 11/1991 Mitsui
D329,528 S 9/1992 Hatfield
D329,532 S 9/1992 Greene
D330,110 S 10/1992 Worthington
D330,799 S 11/1992 Hatfield
D345,450 S 3/1994 Kusuki et al.
(Continued)

(22) Filed: **Aug. 16, 2019**
(51) **LOC (12) Cl.** **02-04**
(52) **U.S. Cl.**
USPC **D2/947; D2/972**
(58) **Field of Classification Search**
USPC D2/896-900, 909-912, 947-957, 960,
D2/961, 968, 970, 972, 977
CPC ... A43B 15/00; A43B 21/00; A43B 13/00-14;
A43B 13/24-28; A43B 13/37; A43B
13/38; A43B 13/41
See application file for complete search history.

OTHER PUBLICATIONS

U.S. Appl. No. 29/702,103.

(Continued)

Primary Examiner — Rashida C. Walshon

(74) *Attorney, Agent, or Firm* — Banner & Witcoff, Ltd.

(57) **CLAIM**

The ornamental design for a shoe, as shown and described.

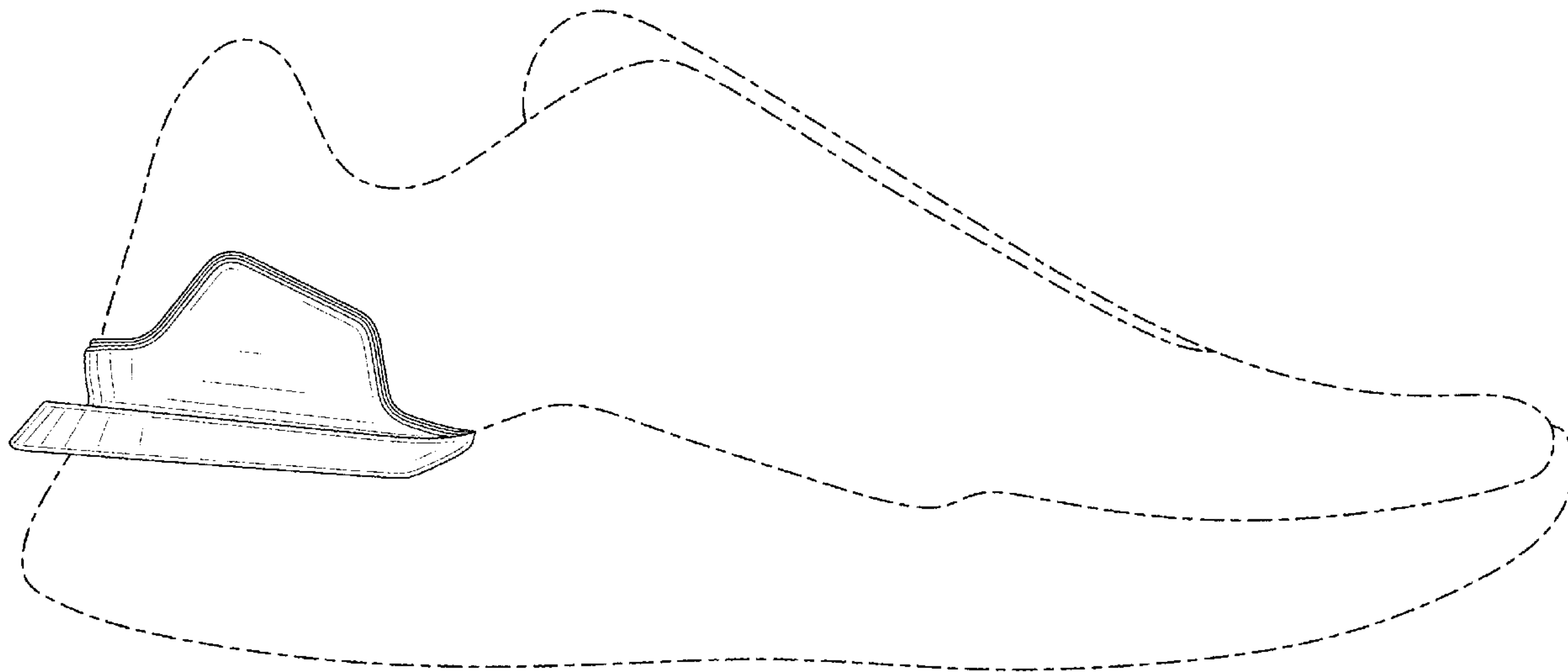
DESCRIPTION

FIG. 1 is a side view of a shoe showing my new design;
FIG. 2 is a rear perspective view thereof;
FIG. 3 is a rear view thereof;
FIG. 4 is a rear opposite side perspective view thereof;
FIG. 5 is an opposite side view thereof;
FIG. 6 is a side view of the shoe design of FIGS. 1-5 having
a different disclaimed environment;
FIG. 7 is a rear perspective view thereof;
FIG. 8 is a rear view thereof;
FIG. 9 is a rear opposite side perspective view thereof; and,
FIG. 10 is an opposite side view thereof.
The broken lines depicting the remainder of the shoe show
features that form no part of the claimed design.

(56) **References Cited**
U.S. PATENT DOCUMENTS

D31,294 S 7/1899 Fuller
D148,451 S 1/1948 Arnoff
D166,519 S 4/1952 Ayers
D166,520 S 4/1952 Ayers
D234,474 S 3/1975 Famolare
D236,662 S 9/1975 Cotton
D236,663 S 9/1975 Cotton
D255,617 S 7/1980 Dassler
D265,436 S 7/1982 Vermonet
D265,437 S 7/1982 Vermonet
D265,521 S 7/1982 Vermonet
D284,613 S 7/1986 Bemault
D291,144 S 8/1987 Tong et al.
D295,458 S 5/1988 Selbiger

1 Claim, 10 Drawing Sheets



(56)

References Cited

U.S. PATENT DOCUMENTS

5,319,866 A 6/1994 Foley et al.
D355,755 S 2/1995 Kilgore
5,425,184 A 6/1995 Lyden et al.
D365,923 S 1/1996 Crowley
D374,337 S 10/1996 Murai et al.
D395,739 S 7/1998 Mervar
D407,540 S 4/1999 Dolinsky
D409,361 S 5/1999 Greenberg
D412,238 S 7/1999 Greenberg
D418,282 S 1/2000 Von Conta et al.
D422,779 S 4/2000 Kusumoto
D424,287 S 5/2000 Edwards
D426,054 S 6/2000 Mazars
D435,334 S 12/2000 Wilson
D443,977 S 6/2001 Fini
D463,906 S 10/2002 Belley et al.
D466,276 S 12/2002 Tomczak
D487,610 S 3/2004 Lin
D490,233 S * 5/2004 Cooper D2/972
D495,127 S 8/2004 Marvin et al.
D501,072 S 1/2005 Matis et al.
D501,713 S 2/2005 Kayano et al.
D513,554 S 1/2006 Matis et al.
D513,666 S * 1/2006 Bertholon D2/977
D514,297 S 2/2006 Matis et al.
D548,444 S 8/2007 Covatch
D560,335 S 1/2008 Turner et al.
D575,488 S 8/2008 Covatch
D604,480 S 11/2009 Della Valle et al.
D618,452 S * 6/2010 Dean D2/946
D620,691 S 8/2010 Akhidime
D624,737 S 10/2010 Akhidime
D638,615 S 5/2011 McMillan
D655,483 S 3/2012 Portzline
D658,860 S 5/2012 Stryjak et al.
D658,861 S 5/2012 Stryjak et al.
D662,697 S 7/2012 Portzline
D685,171 S 7/2013 Marshall
D685,983 S 7/2013 Winskowicz
D692,217 S 10/2013 Fogg
D701,035 S 3/2014 Hatfield
D703,422 S 4/2014 Hansen
D709,273 S 7/2014 Ininskowicz
D713,625 S 9/2014 Raasch
D719,725 S 12/2014 Katz et al.
D737,040 S 8/2015 Pauk
D744,225 S * 12/2015 Thornhill D2/973
D762,056 S 7/2016 Fullum
D765,380 S 9/2016 Petrie
D777,410 S 1/2017 Takahashi et al.
D778,568 S 2/2017 Kinley
D781,561 S 3/2017 Gibson
D782,168 S 3/2017 Reid
D783,958 S 4/2017 Petrenka
D783,991 S 4/2017 Chang
D789,054 S 6/2017 Shyllon
D793,701 S * 8/2017 Parker D2/972
D794,287 S 8/2017 Raasch
D796,813 S 9/2017 Link
D799,179 S 10/2017 Comeaux
D799,182 S 10/2017 Matthews
D802,286 S 11/2017 Klein
D804,788 S 12/2017 Bikowski
D808,629 S 1/2018 Parrett et al.
D816,972 S 5/2018 Pauk
D817,612 S * 5/2018 Small D2/947
D819,311 S 6/2018 Jury et al.
D819,312 S 6/2018 Lashmore et al.
D822,349 S * 7/2018 Petrenka D2/947
D827,279 S * 9/2018 Taylor D2/972
D828,994 S 9/2018 de Montgolfier
D829,423 S * 10/2018 Robusti D2/947
D832,568 S 11/2018 Kuerbis
D838,966 S 1/2019 Pauk
D840,663 S 2/2019 Flanagan et al.

D841,297 S 2/2019 Small
D841,298 S * 2/2019 Small D2/947
D841,306 S 2/2019 Small
D846,245 S 4/2019 Kosenick
D850,083 S 6/2019 Jenkins et al.
D851,368 S 6/2019 Fuerst, Sr.
D851,381 S 6/2019 Hong
D851,875 S 6/2019 Jacobs
D851,877 S * 6/2019 Small D2/947
D851,878 S 6/2019 Pauk
D853,701 S 7/2019 Hong
D858,054 S 9/2019 McMillan
D858,955 S 9/2019 Bongers
D858,962 S 9/2019 Small et al.
D860,622 S 9/2019 Pauk
D863,744 S 10/2019 Della Valle et al.
D866,933 S 11/2019 Mazza
D867,739 S 11/2019 Hobson
D874,123 S 2/2020 Cin
D876,769 S 3/2020 Aden
D876,798 S 3/2020 Aden
2008/0256827 A1 10/2008 Hardy et al.
2009/0064538 A1 3/2009 Roether et al.
2010/0071228 A1 3/2010 Crowley, II et al.
2010/0251565 A1 10/2010 Litchfield et al.
2010/0251567 A1 10/2010 McInnis et al.
2016/0374428 A1 * 12/2016 Kormann A43B 13/188
36/28
2017/0127749 A1 5/2017 Boeck et al.
2018/0110292 A1 4/2018 Beers et al.
2018/0289109 A1 10/2018 Beers et al.
2019/0104805 A1 4/2019 Del Biondi et al.
2019/0254381 A1 8/2019 Hopkins et al.
2019/0320759 A1 10/2019 Conrad et al.

OTHER PUBLICATIONS

U.S. Appl. No. 29/688,311.
U.S. Appl. No. 29/702,190.
NIKE Footwear Catalog, 2012 Spring Men's and Women's Sportswear Energy Footwear, p. 3, published May 2011, NIKE, Inc., USA.
Nike Footwear Catalog, 2014 Spring Women's Nike Sportswear Footwear Best, p. 43, published May 17, 2013, Nike, Inc., USA.
Nike Footwear Catalog, 2014 Spring Men's Footwear Performance, p. 8, published May 22, 2013, Nike, Inc., USA.
Nike Footwear Catalog, 2014 Fall City Specialty Footwear Best Final, p. 67, published Nov. 1, 2013, Nike, Inc., USA.
Nike Footwear Catalog, 2015 Spring Core Performance Footwear Final, p. 15, published May 14, 2014, Nike, Inc., USA.
Nike Footwear Catalog, 2015 Spring Men's Nike Sportswear Footwear Best, p. 21, published May 14, 2014, Nike, Inc., USA.
Nike Footwear Catalog, 2016 Spring Dept Store Footwear Best NA, p. 67, published May 2015, Nike, Inc., USA.
Nike Footwear Catalog, 2017 Spring Athletic Specialty Footwear Best NA, p. 105, published May 2016, Nike, Inc., USA.
Nike Footwear Catalog, 2017 Spring Athletic Specialty Footwear Best NA, p. 159, published May 2016, Nike, Inc., USA.
Nike Footwear Catalog, 2017 Spring Athletic Specialty Footwear Best NA, p. 168, published May 2016, Nike, Inc., USA.
Nike Footwear Catalog, 2018 Holiday Men's Training, p. 77, published date unknown, but prior to the filed of the present application, Nike, Inc., USA.
Nike Footwear Catalog, 2015 Spring Men's Performance Footwear, p. 41, published May 14, 2014, Nike, Inc., USA.
Nike Footwear Catalog, 2015 Spring Men's Performance Footwear, p. 122, published May 14, 2014, Nike, Inc., USA.
Nike Footwear Catalog, 2016 Spring Athletic Apparel Footwear Catalog, p. 11, published May 2015, Nike, Inc., USA.
Nike Footwear Catalog, 1976 Footwear, p. 11, published date unknown, but prior to the filed of the present application, Nike, Inc., USA.
Nike Footwear Catalog, 1979 Footwear, p. 2, published date unknown, but prior to the filed of the present application, Nike, Inc., USA.
Nike Footwear Catalog, 1993 Spring Footwear, p. 80, published Jun. 1992, Nike, Inc., USA.

(56)

References Cited

OTHER PUBLICATIONS

Nike Footwear Catalog, 1997 Late Spring Footwear, p. 11, published Sep. 1996, Nike, Inc., USA.

Nike Footwear Catalog, 1999 Late Spring Footwear, p. W23, published Sep. 1998, Nike, Inc., USA.

Nike Footwear Catalog, 1999 Late Spring Footwear, p. W97, published Sep. 1998, Nike, Inc., USA.

Nike Footwear Catalog, 1999 Late Spring Footwear, p. W1, published Sep. 1998, Nike, Inc., USA.

Nike Footwear Catalog, 1999 Fall Footwear, p. W75, published Nov. 1998, Nike, Inc., USA.

Nike Footwear Catalog, 2000 Fall Footwear Blue Cover, p. 82, published Nov. 1999, Nike, Inc., USA.

Nike Footwear Catalog, 2001 Spring Footwear 2, p. 9, published Jun. 2000, Nike, Inc., USA.

Nike Footwear Catalog, 2001 Fall Footwear, p. 45, published Nov. 2000, Nike, Inc., USA.

Nike Footwear Catalog, 2002 Spring Footwear, p. 29, published Jun. 2001, Nike, Inc., USA.

Nike Footwear Catalog, 2002 Fall Footwear, p. 21, published Nov. 2001, Nike, Inc., USA.

Nike Footwear Catalog, 2014 Baseball Footwear, p. 33, published Feb. 2013, Nike, Inc., USA.

Nike Footwear Catalog, 2014 Fall City Specialty Footwear Best Final, p. 90, published Nov. 1, 2013, Nike, Inc., USA.

Nike Footwear Catalog, 2014 Fall Men's New Sportswear Footwear Pinnacle Flyer, p. 4, published Nov. 1, 2013, Nike, Inc., USA.

Nike Footwear Catalog, 2015 Spring Core Performance Footwear Final, p. 4, published May 14, 2014, Nike, Inc., USA.

Nike Footwear Catalog, 2015 Spring Men's Nike Sportswear Footwear Best, p. 8, published May 14, 2014, Nike, Inc., USA.

Nike Footwear Catalog, 2015 Fall Boutique Na, p. 348, published Nov. 2014, Nike, Inc., USA.

Nike Footwear Catalog, 2016 Spring Core Footwear Na, p. 16, published May 2015, Nike, Inc., USA.

Nike Footwear Catalog, 2017 Spring Strategic Sporting Goods Footwear Best Na, p. 109, published May 2016, Nike, Inc., USA.

Nike Footwear Catalog, 2017 Spring Territory Sporting Goods Footwear Best NA, p. 33, published May 2016, Nike, Inc., USA.

Nike Footwear Catalog, 2018 Spring Team Soccer, p. 116, published Jun. 5, 2017, Nike, Inc., USA.

Nike Footwear Catalog, 2018 Summer Running, p. 61, published date unknown, but prior to filing date of the present application, Nike, Inc., USA.

Nike Footwear Catalog, 2018 Holiday Men's Training, p. 67, published date unknown, but prior to the filed of the present application, Nike, Inc., USA.

Nike Footwear Catalog, 2018 Holiday Sportswear, p. 149, published date unknown, but prior to the filed of the present application, Nike, Inc., USA.

Nike Footwear Catalog, 2018 Holiday Young Athletes, p. 159, published date unknown, but prior to the filed of he present application, Nike, Inc., USA.

Nike Footwear Catalog, 2019 Spring Running, p. 113, published date unknown, but prior to the filed of the present application, Nike, Inc., USA.

Nike Footwear Catalog, 2019 Spring Sportswear, p. 240, published date unknown, but prior to the filed of the present application, Nike, Inc., USA.

Nike Footwear Catalog, 1988 Spring Footwear, p. 6, published Jun. 1987, Nike, Inc., USA.

Nike Footwear Catalog, 1993 Spring Footwear, p. 122, published Jun. 1992, Nike, Inc., USA.

Nike Footwear Catalog, 1993 Fall Footwear, p. 3, published Dec. 1992, Nike, Inc., USA.

Nike Footwear Catalog, 1996 Holiday Footwear, p. 55, published Mar. 1996, Nike, Inc., USA.

Nike Footwear Catalog, 1997 Spring Footwear, p. 37, published Jun. 1996, Nike, Inc., USA.

Nike Footwear Catalog, 1997 Late Spring Footwear, p. 3, published Sep. 1996, Nike, Inc., USA.

Nike Footwear Catalog, 1997 Fall Footwear, p. 39, published Dec. 1996, Nike, Inc., USA.

Nike Footwear Catalog, 2001 Spring Footwear 1, p. 68, published Jun. 2000, Nike, Inc., USA.

Nike Footwear Catalog, 2001 Spring Footwear 2, p. 20, published Jun. 2000, Nike, Inc., USA.

Nike Footwear Catalog, 2003 Fall Footwear, p. 15, published Nov. 2002, Nike, Inc., USA.

Nike Footwear Catalog, 2003 Fall Footwear, p. 38, published Nov. 2002, Nike, Inc., USA.

Nike Footwear Catalog, 2003 Fall Footwear, p. 107, published Nov. 2002, Nike, Inc., USA.

Nike Footwear Catalog, 2004 Spring Footwear, p. 19, published Jun. 2003, Nike, Inc., USA.

Nike Footwear Catalog, 2005 Spring Footwear, p. 1, published Jun. 2004, Nike, Inc., USA.

Nike Footwear Catalog, 2005 Fall Footwear, p. 54, published Nov. 2004, Nike, Inc., USA.

Nike Footwear Catalog, 2005 Fall Footwear, p. 58, published Nov. 2004, Nike, Inc., USA.

Nike Footwear Catalog, 2006 Fall Footwear, p. 1, published Nov. 2005, Nike, Inc., USA.

Nike Footwear Catalog, 2010 Fall Soccer Footwear, p. 31, published Nov. 2009, Nike, Inc., USA.

Nike Footwear Catalog, 2010 Fall Urban Better Footwear, p. 21, published Nov. 2009, Nike, Inc., USA.

Nike Footwear Catalog, 2011 Spring Men's Running Footwear, p. 30, published May 2010, Nike, Inc., USA.

Nike Footwear Catalog, 2013 Fall Mens Sportswear Footwear Best, p. 11, published Nov. 2012, Nike, Inc., USA.

* cited by examiner

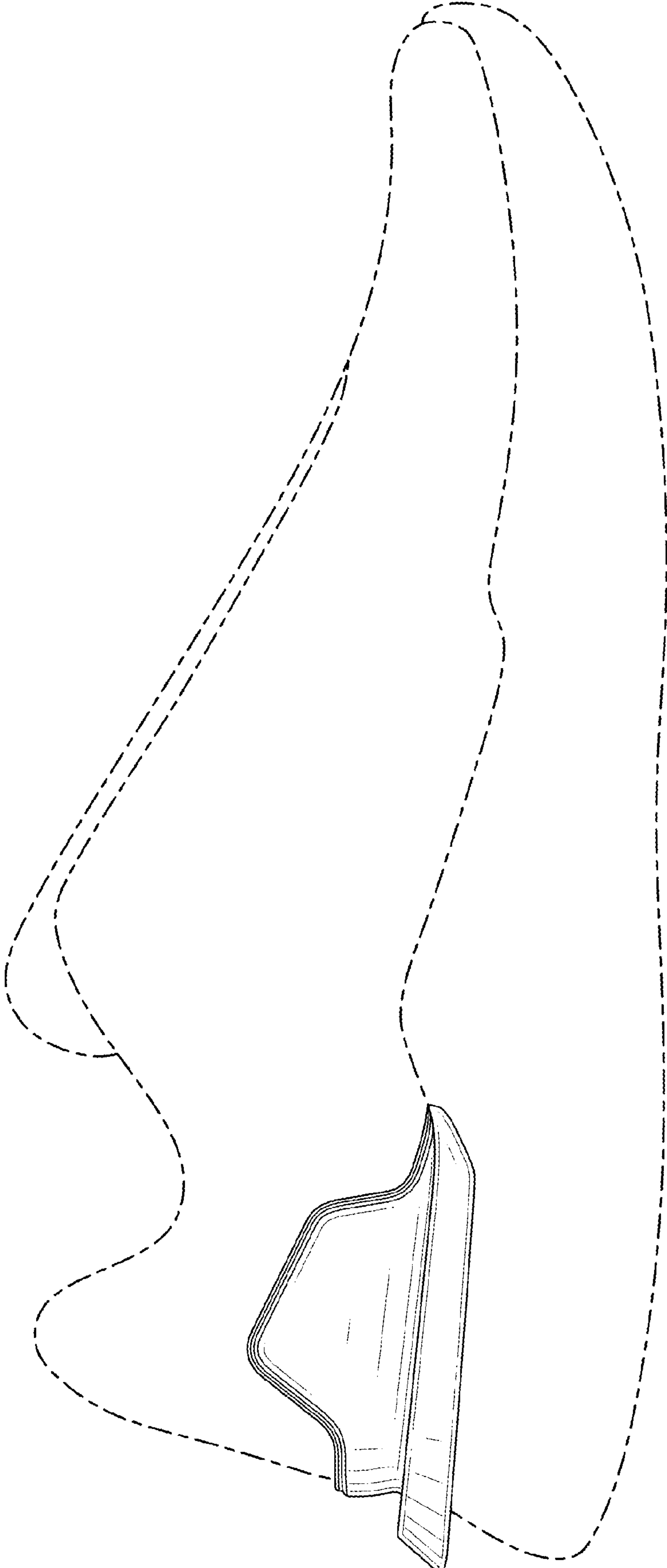


FIG. 1

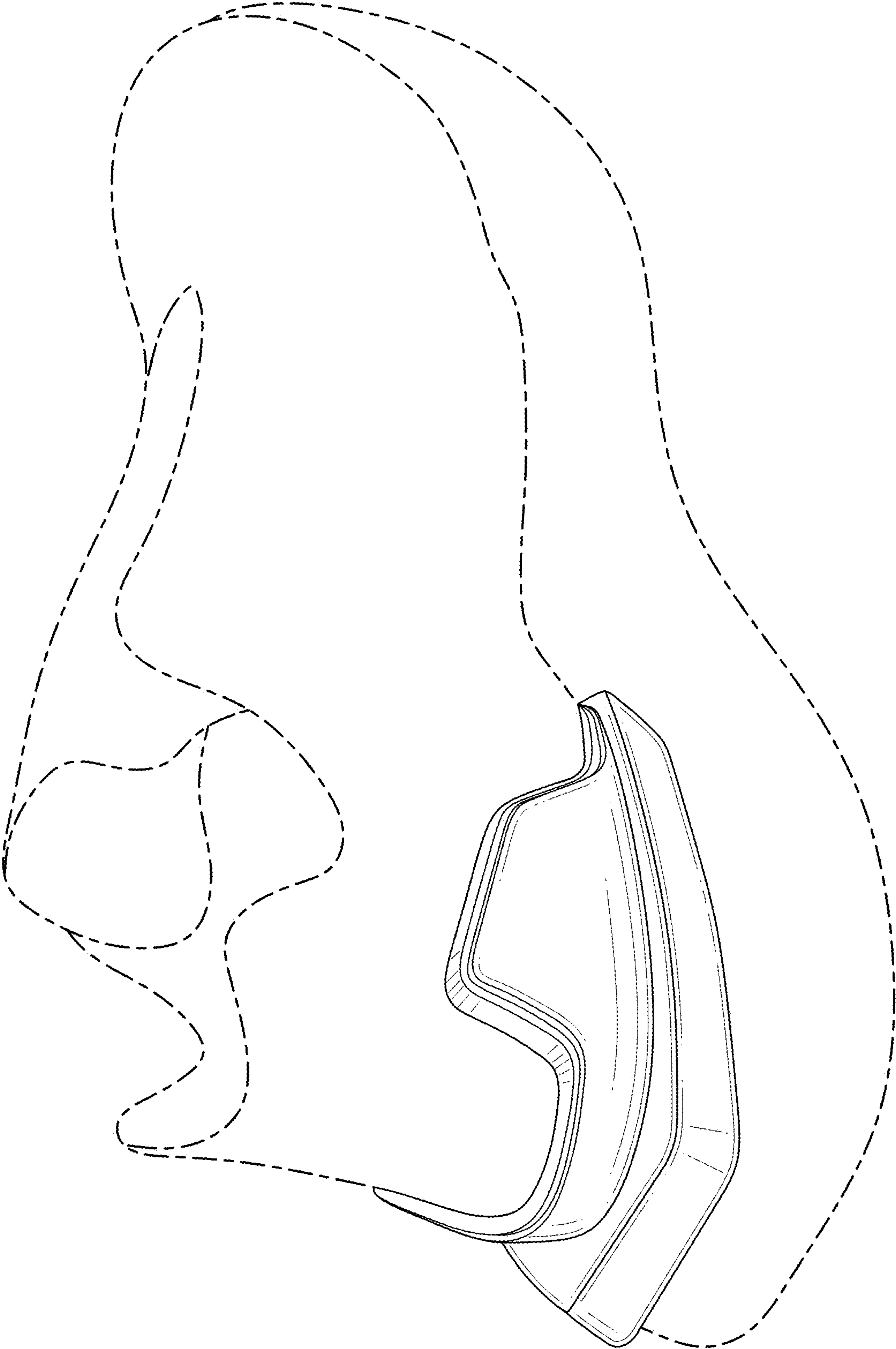


FIG. 2

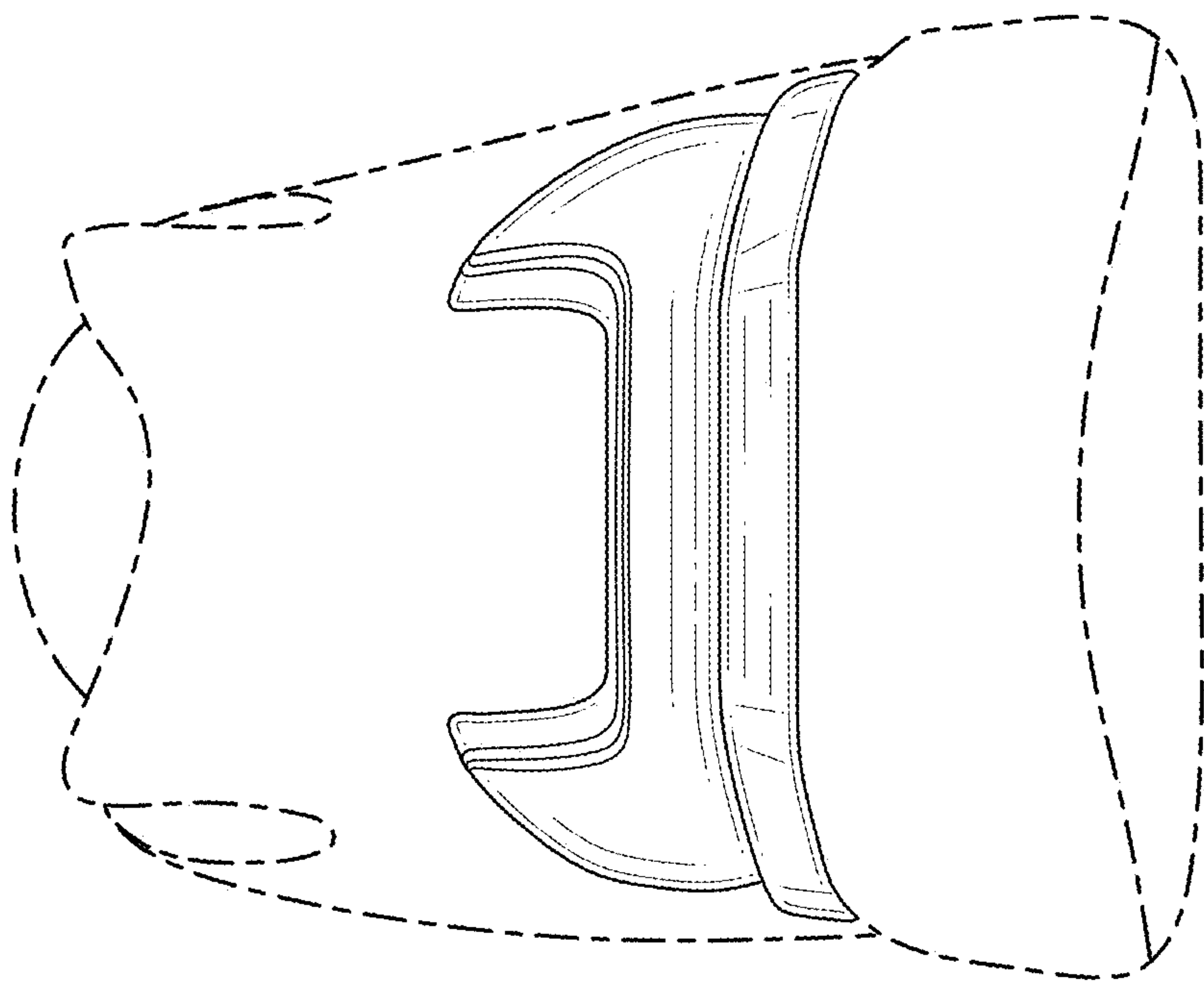


FIG. 3

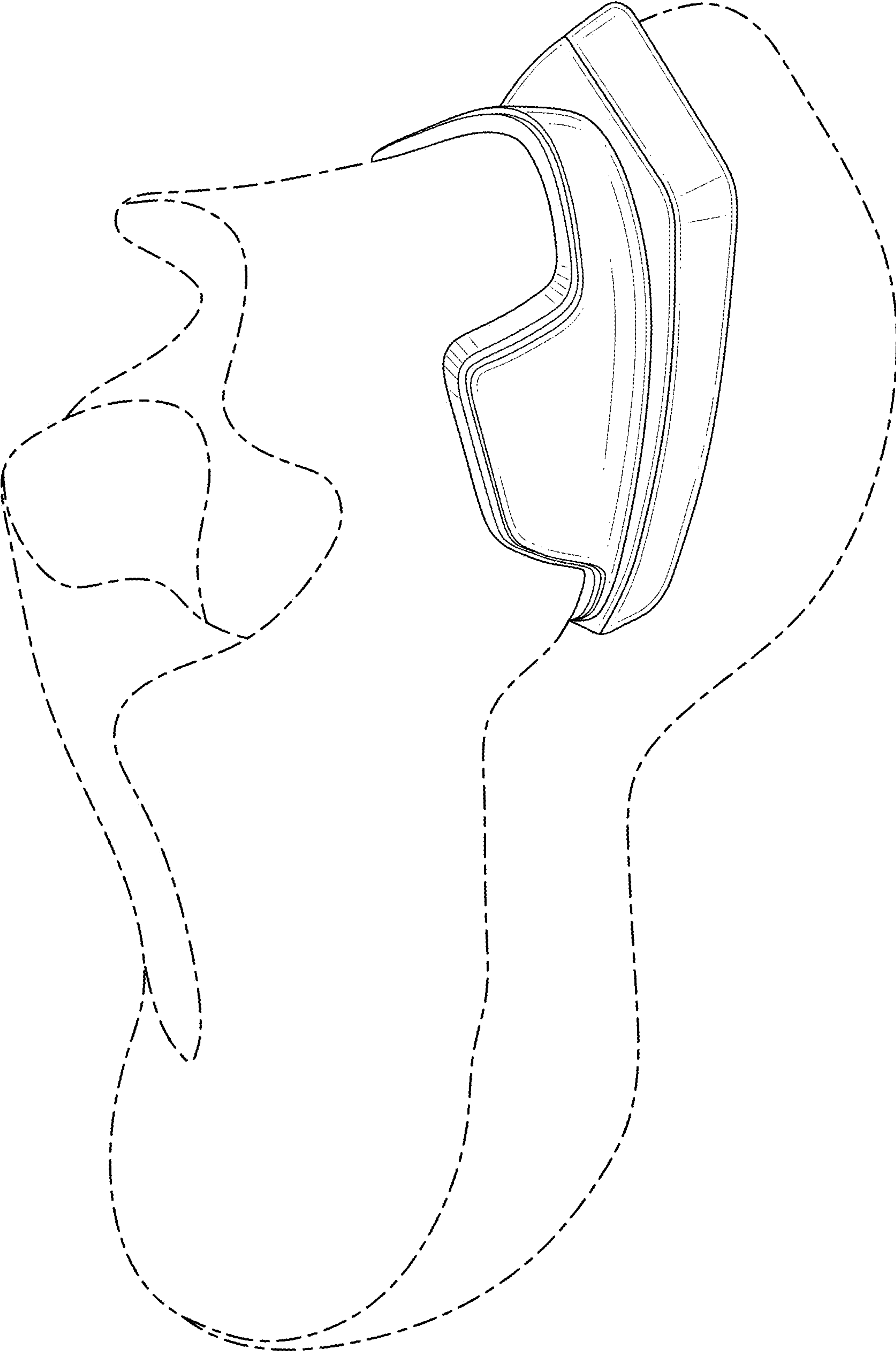


FIG. 4

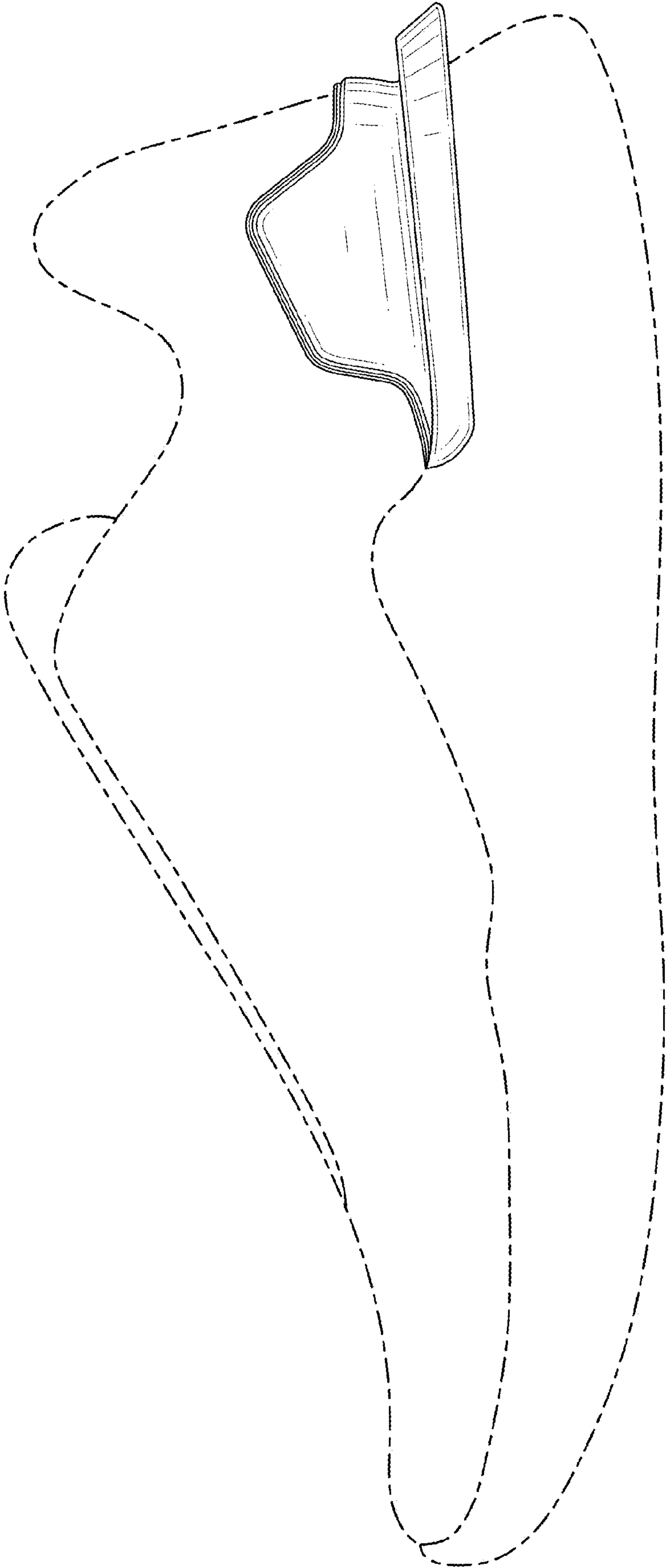


FIG. 5

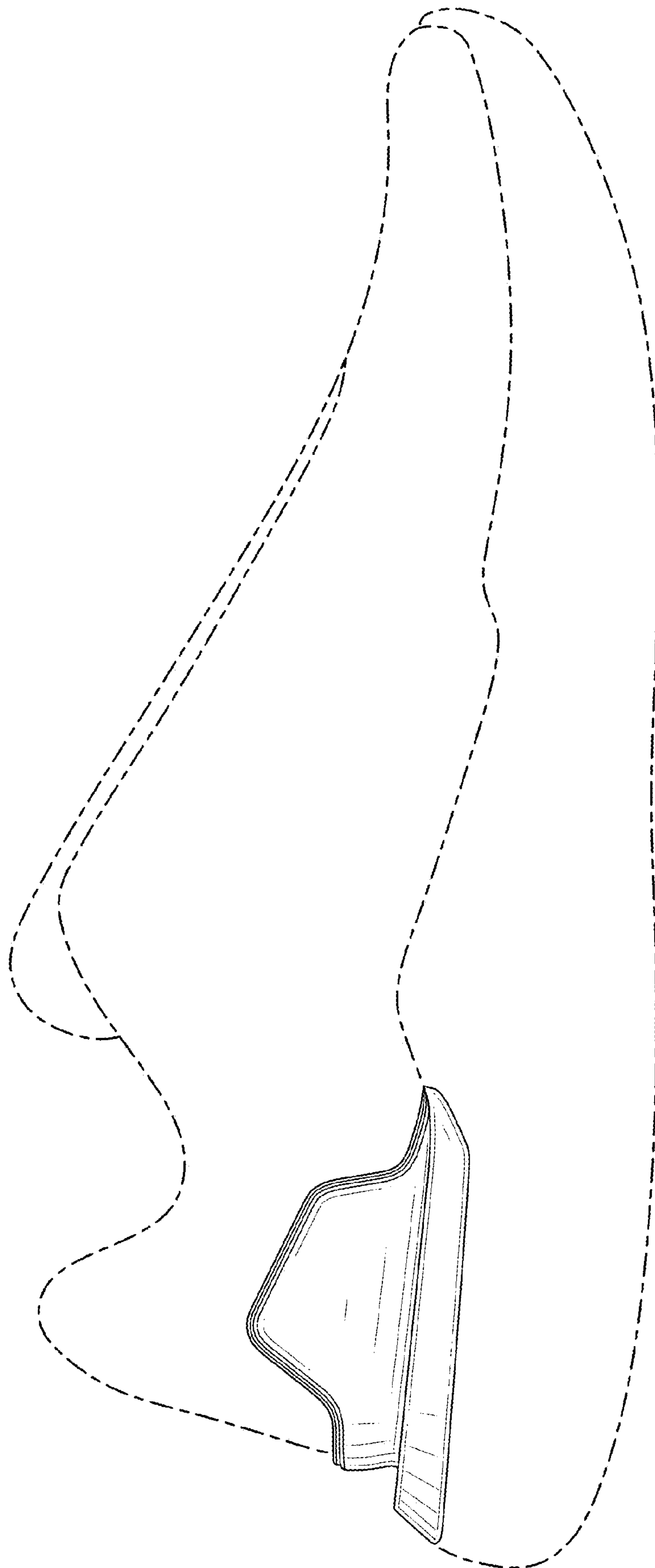


FIG. 6

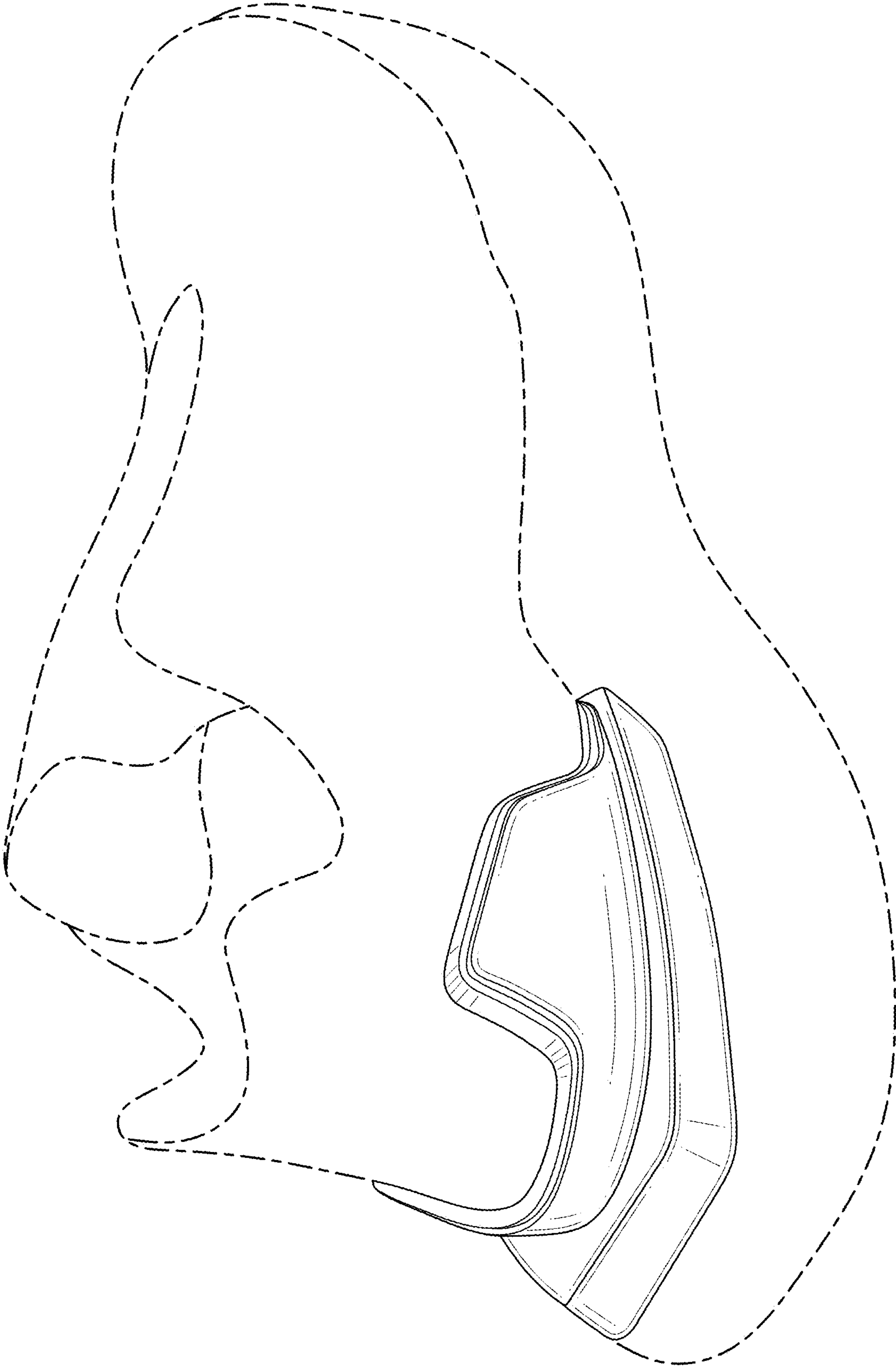


FIG. 7

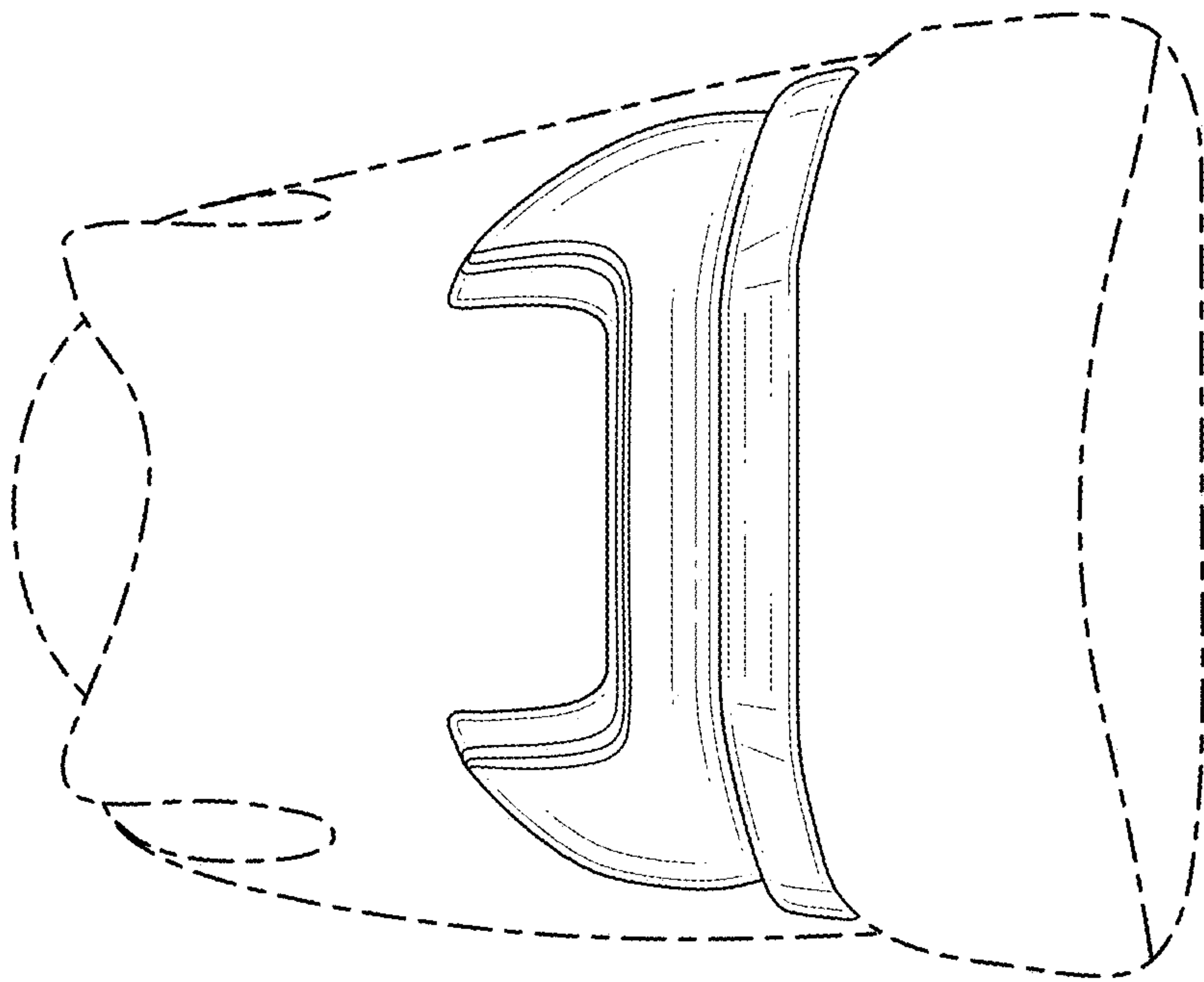


FIG. 8

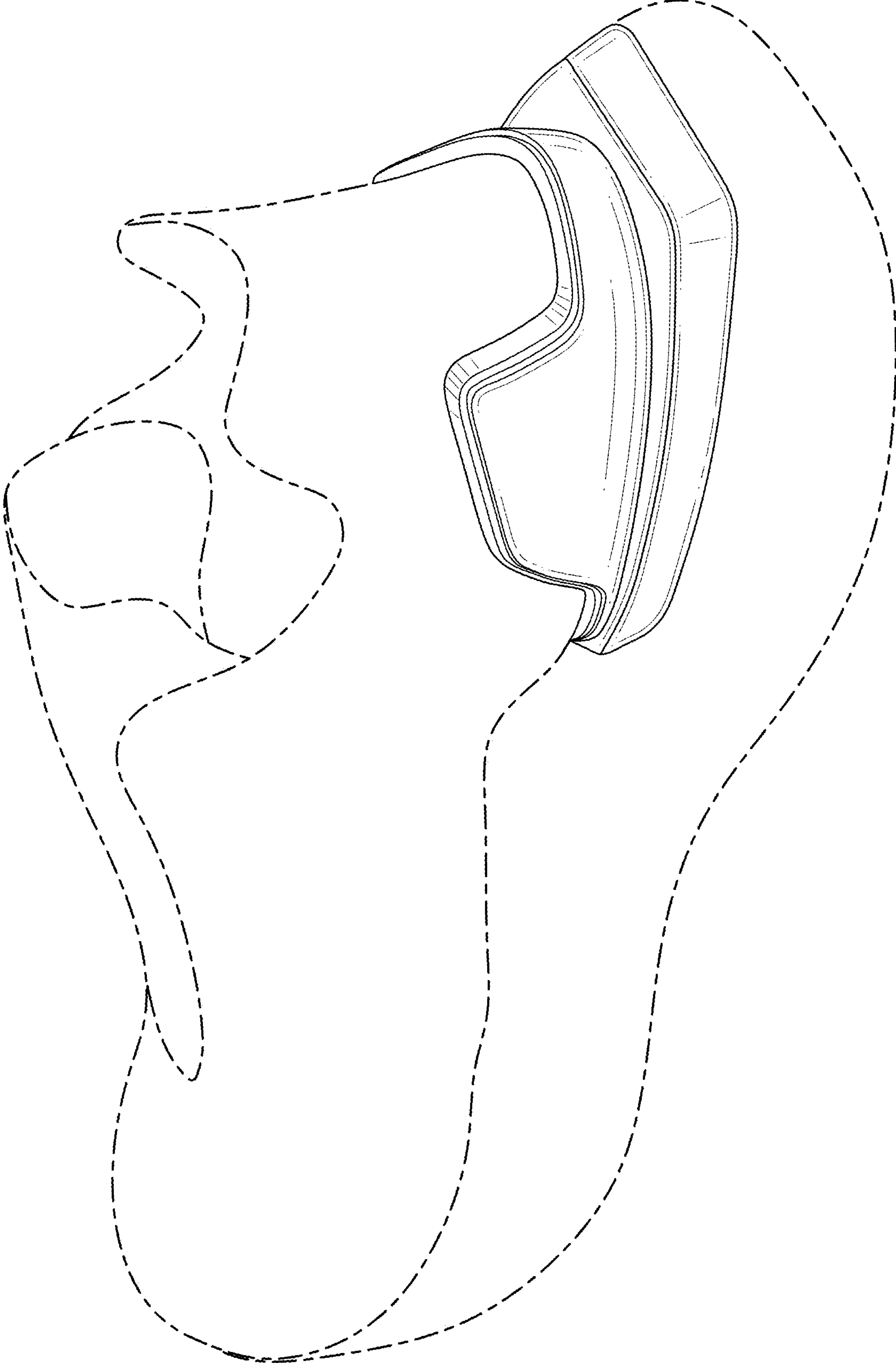


FIG. 9

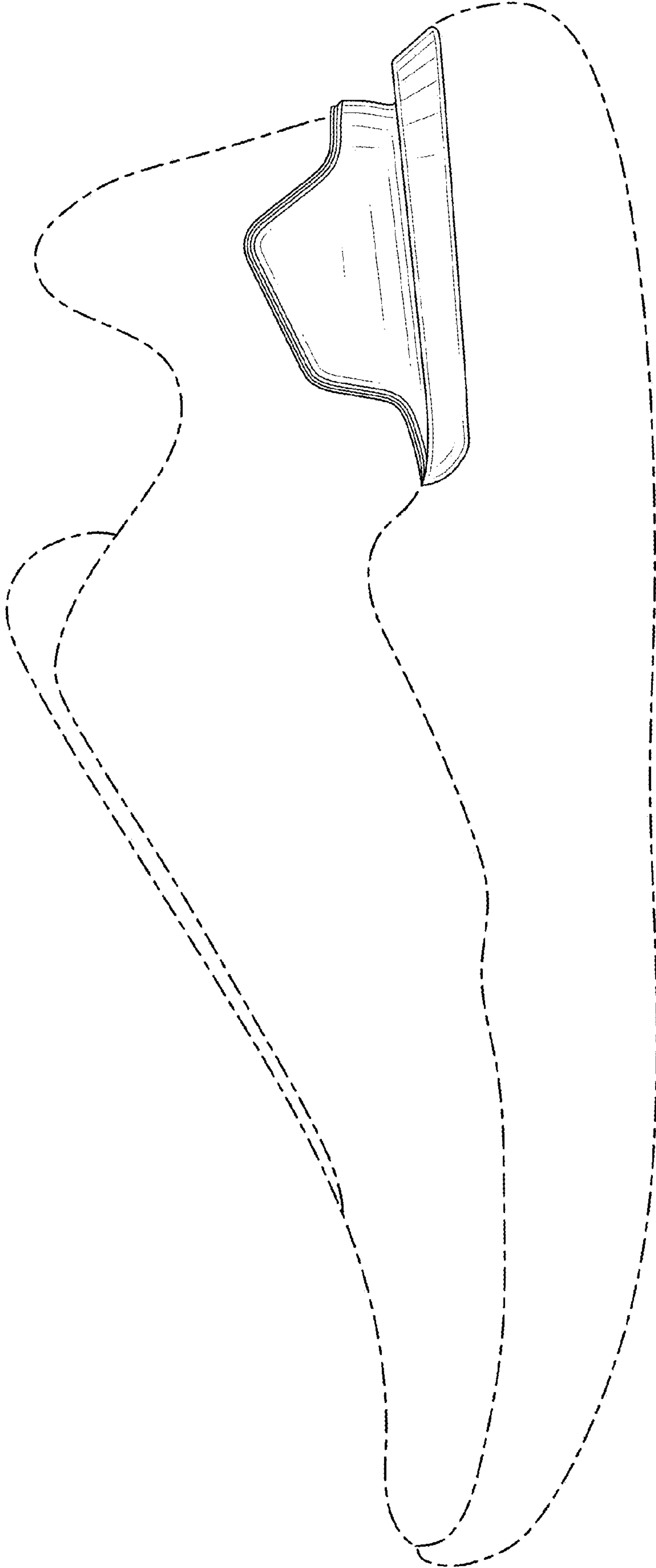


FIG. 10