



US00D905382S

(12) **United States Design Patent** (10) **Patent No.:** **US D905,382 S**
Jackson (45) **Date of Patent:** **** Dec. 22, 2020**

- (54) **HEADWEAR CLIP**
- (71) Applicant: **Walter Jackson**, Centennial, CO (US)
- (72) Inventor: **Walter Jackson**, Centennial, CO (US)
- (**) Term: **15 Years**
- (21) Appl. No.: **29/735,248**
- (22) Filed: **May 19, 2020**

Related U.S. Application Data

- (62) Division of application No. 29/625,546, filed on Nov. 10, 2017, now Pat. No. Des. 892,474.

- (51) **LOC (12) Cl.** **02-03**
- (52) **U.S. Cl.**
USPC **D2/895**

- (58) **Field of Classification Search**
USPC D2/865, 866, 867, 869, 870, 871, 872, D2/873, 874, 875, 876, 877, 878, 879, D2/880, 881, 882, 883, 884, 885, 886, D2/887, 888, 889, 890, 891, 892, 893, D2/894, 895, 639, 976; D6/315, 323, D6/325, 328; D8/38; D11/91, 200, 201, D11/204, 207, 214, 215, 222; D3/265; D19/65; D26/39; D29/110, 122, 129
CPC A42B 1/00; A42B 1/002; A42B 1/004; A42B 1/006; A42B 1/02; A42B 1/062; A42B 1/064; A42B 1/205; A42B 1/22; A42B 1/24; A42B 1/248; A42B 3/04; A42B 7/00; A44B 9/00; A44B 9/02; A44B 9/04; A44B 9/06; A45F 5/06
See application file for complete search history.

(56) **References Cited**

U.S. PATENT DOCUMENTS

- 1,236,654 A * 8/1917 Baltzley D06F 55/00
24/561
- D407,537 S 4/1999 Simpson

- D492,351 S 6/2004 Sato
- D574,614 S 8/2008 Sanders
- D610,805 S * 3/2010 Ledford D3/265
- 7,866,813 B2 1/2011 Anhalt
- 7,954,943 B2 6/2011 Ledford
- D645,231 S * 9/2011 Perry D2/891
- D724,487 S * 3/2015 Dighton D11/222
- D729,502 S 5/2015 Aldridge
- D757,403 S 5/2016 Skinner
- D761,001 S 7/2016 Kouns
- D770,147 S 11/2016 Byrd
- D774,283 S * 12/2016 Rollins D2/882
- 10,575,577 B2 * 3/2020 Jackson A47C 7/383
- D888,608 S * 6/2020 Spater D11/215
- D892,469 S * 8/2020 Costenbader D2/891
- D892,474 S * 8/2020 Jackson D2/895
- 2014/0315661 A1 10/2014 Brown

OTHER PUBLICATIONS

Non-Final Office Action, dated Sep. 20, 2019, Design U.S. Appl. No. 29/625,546.

* cited by examiner

Primary Examiner — Jasmine Mlinarcik

(74) *Attorney, Agent, or Firm* — Fennemore Craig. P.C.

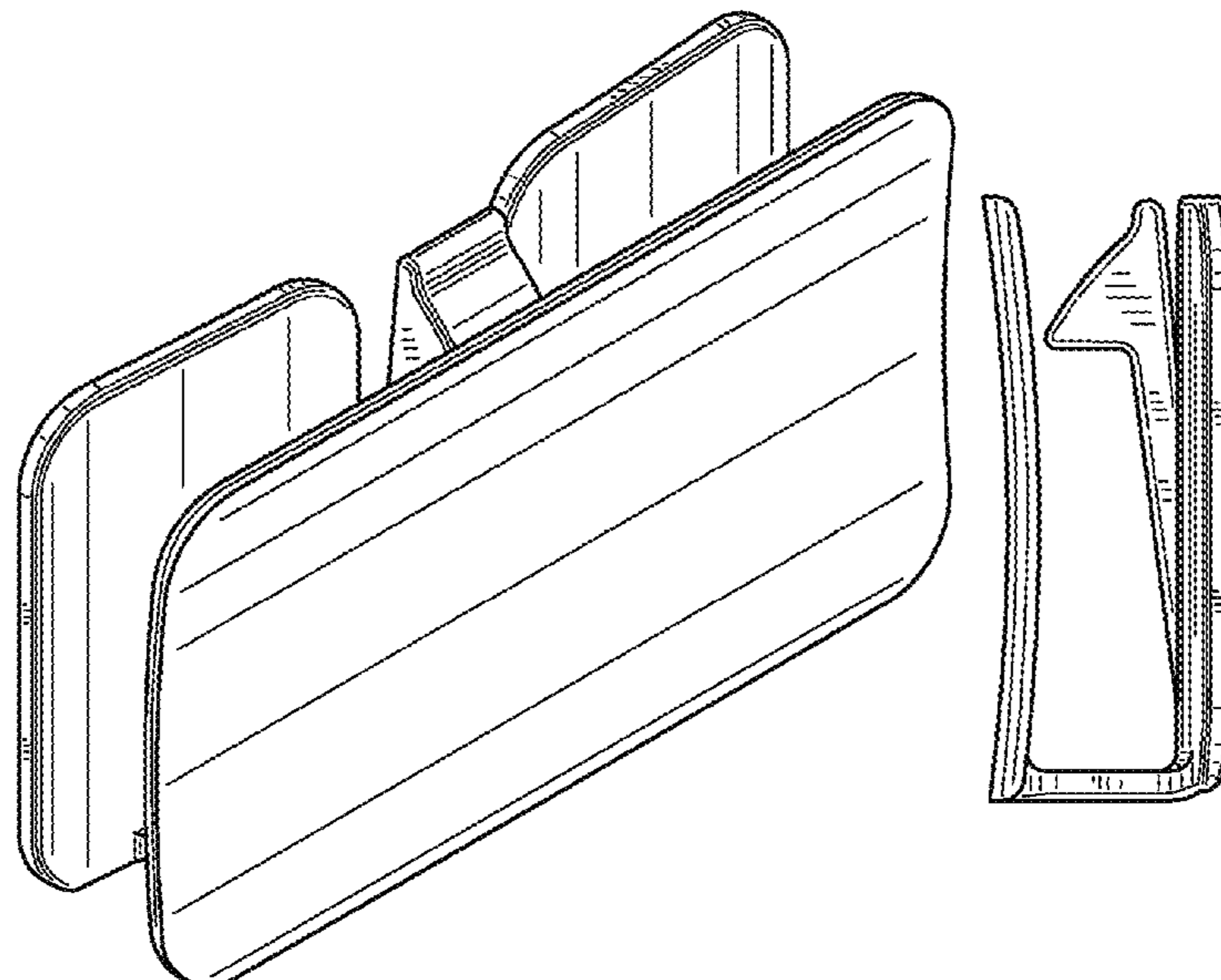
(57) **CLAIM**

The ornamental design for a headwear clip, as shown and described.

DESCRIPTION

FIG. 1 is a perspective view of a headwear clip in accordance with my new design;
 FIG. 2 is a front view of the headwear clip;
 FIG. 3 is a rear view of the headwear clip;
 FIG. 4 is a side view of the headwear clip;
 FIG. 5 is a top view of the headwear clip; and,
 FIG. 6 is a bottom view of the headwear clip.

1 Claim, 4 Drawing Sheets



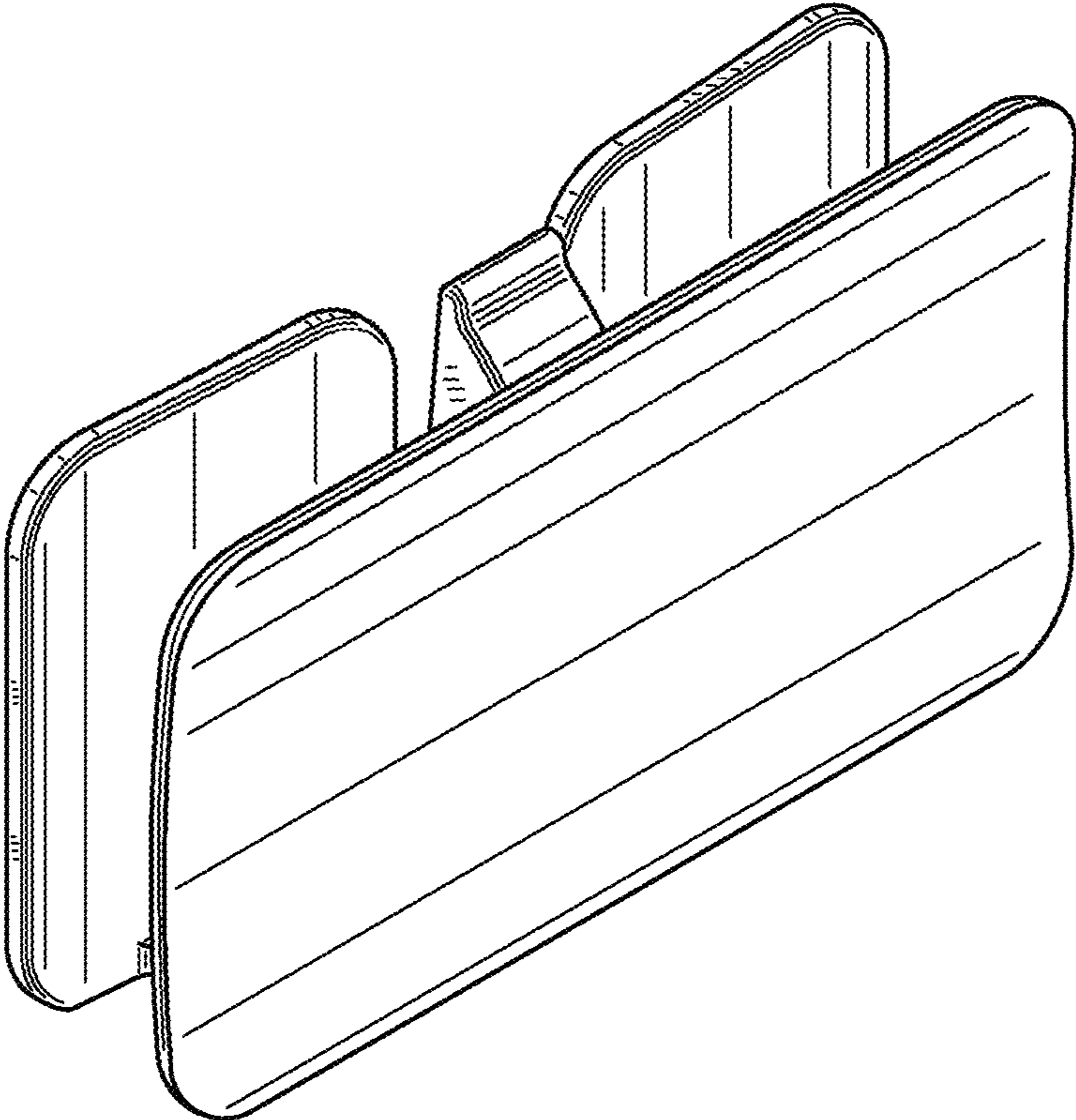


FIG. 1

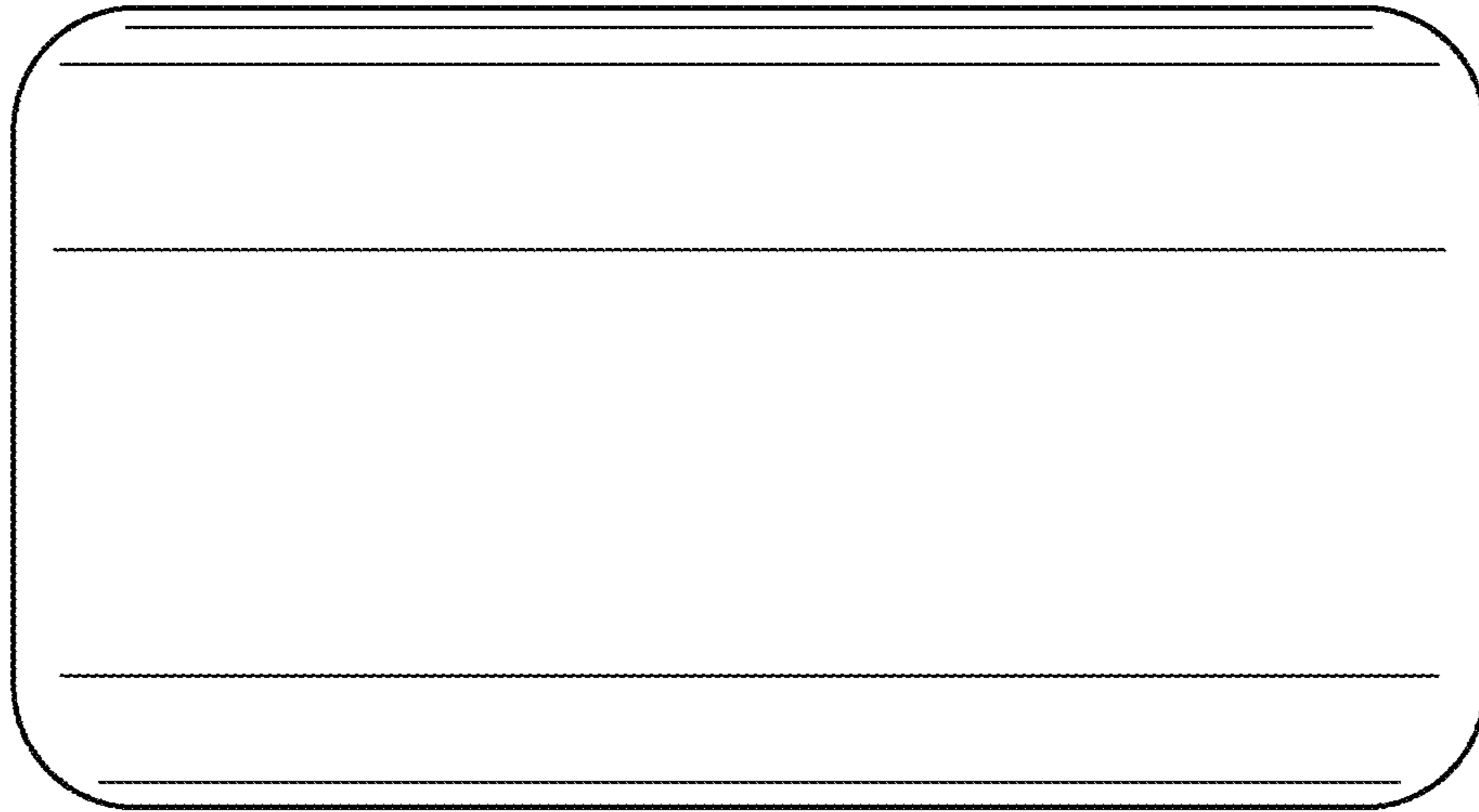


FIG. 2

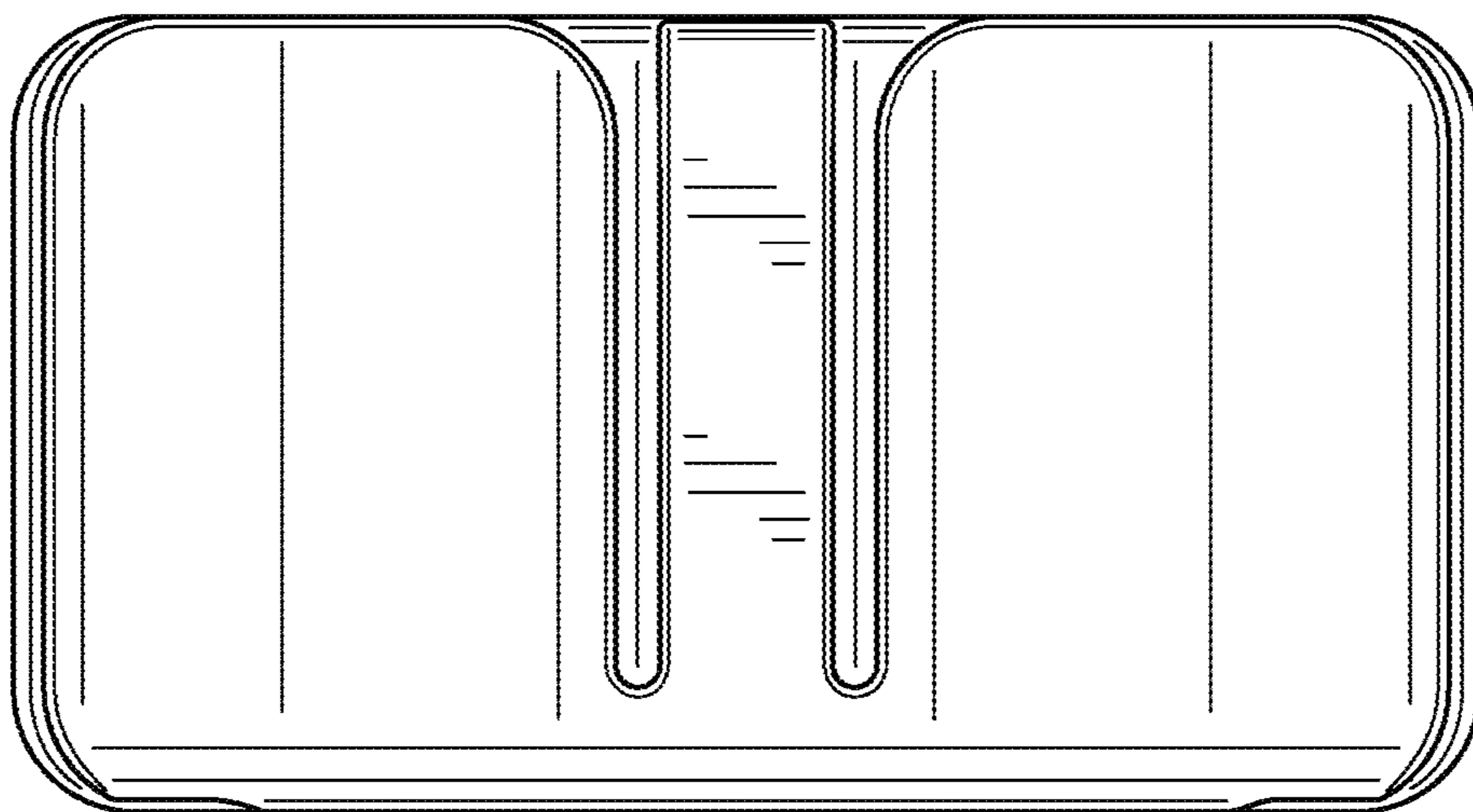


FIG. 3

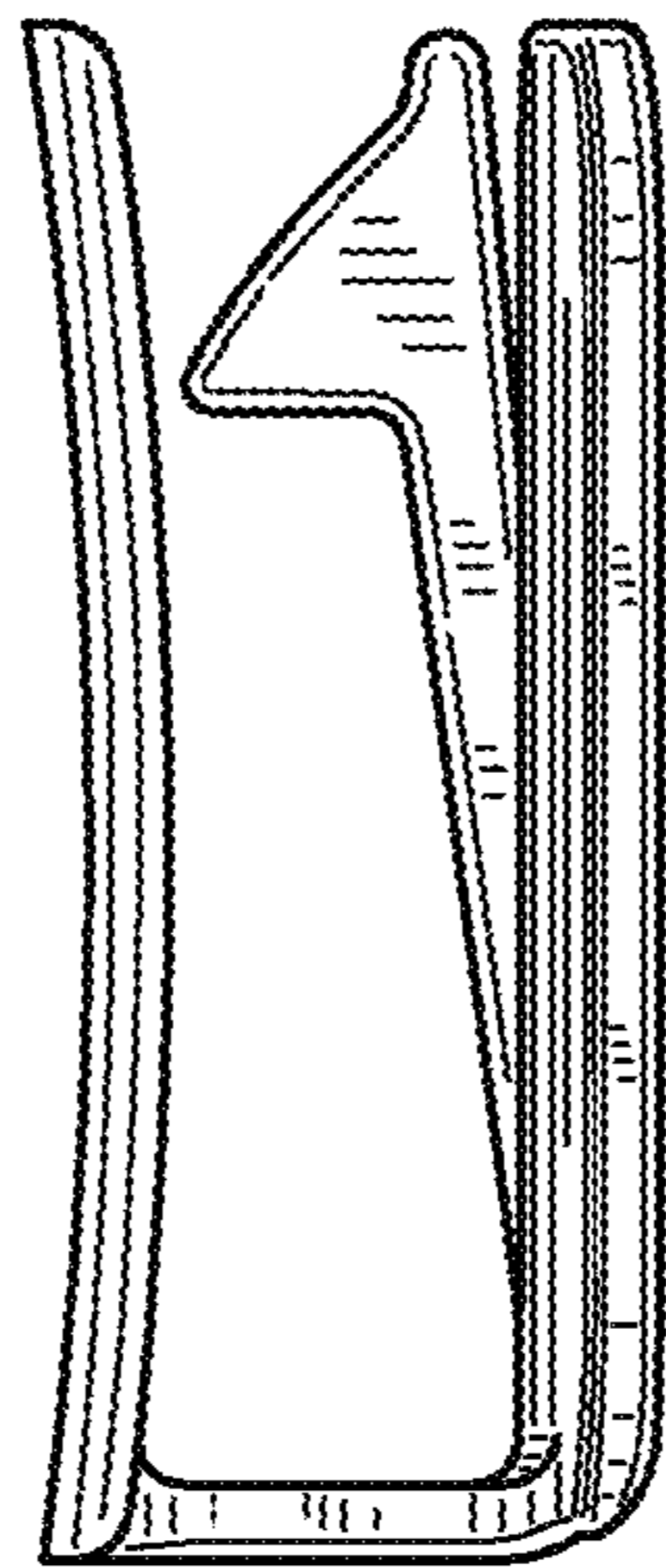


FIG. 4

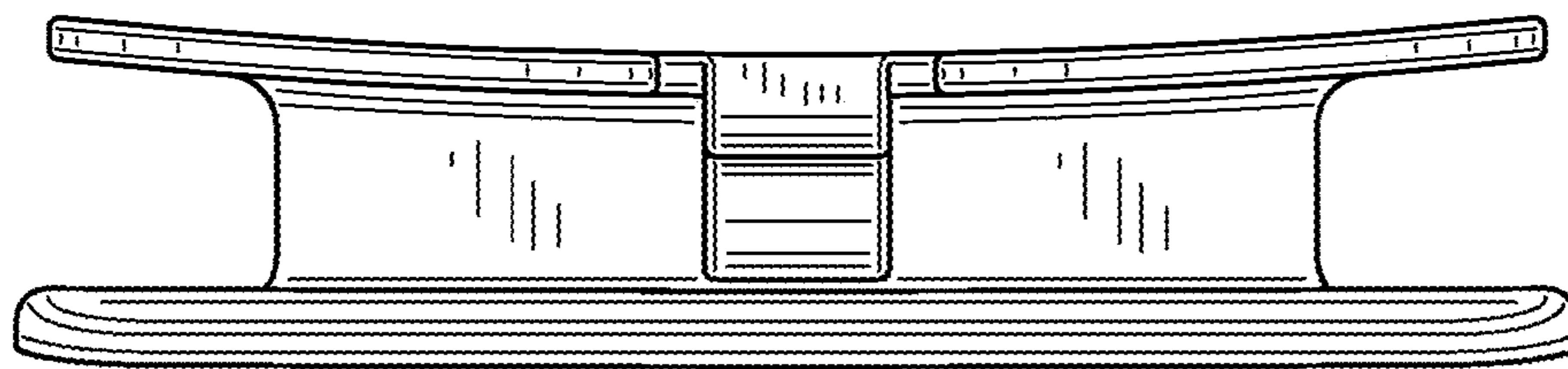


FIG. 5

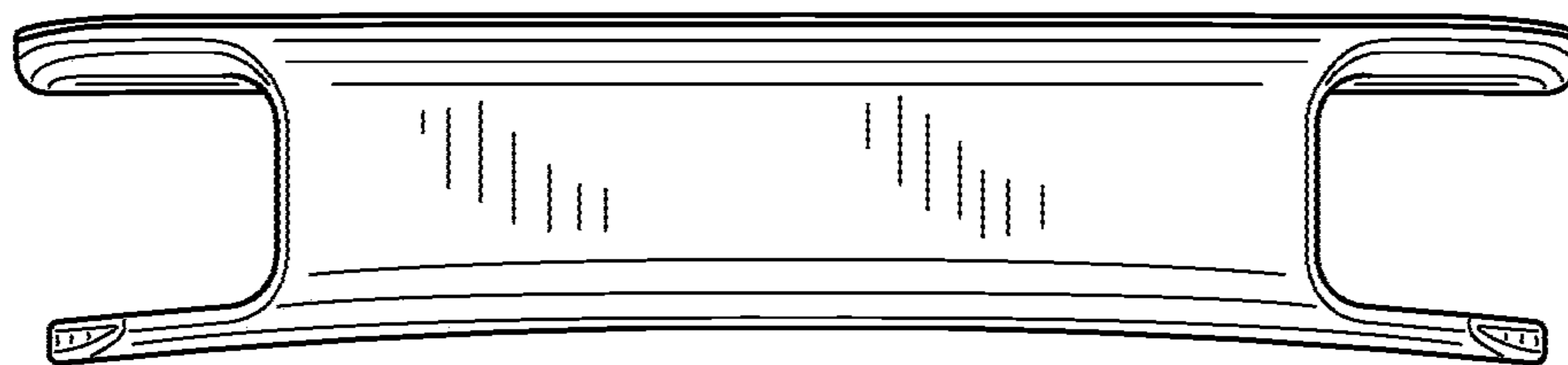


FIG. 6