



US00D905380S

(12) **United States Design Patent** (10) **Patent No.:** **US D905,380 S**  
**Speciale et al.** (45) **Date of Patent:** **\*\* \*Dec. 22, 2020**

(54) **WHOLE BODY BLANKET**  
(71) Applicant: **Cozy Comfort Company LLC**,  
Pleasanton, CA (US)

D117,438 S 10/1939 Yanofsky  
D121,044 S 6/1940 Berkman  
D128,543 S 7/1941 Manna  
(Continued)

(72) Inventors: **Brian Speciale**, Pleasanton, CA (US);  
**Michael Speciale**, Cave Creek, AZ  
(US)

**OTHER PUBLICATIONS**

U.S. Appl. No. 16/576,125, filed Sep. 19, 2019, Brian Speciale,  
Entire Document.

(\* ) Notice: This patent is subject to a terminal dis-  
claimer.

(Continued)

(\*\*) Term: **15 Years**

*Primary Examiner* — Manpreet S Matharu

*Assistant Examiner* — J. Thorn, Sr.

(21) Appl. No.: **29/731,083**

(74) *Attorney, Agent, or Firm* — Thomas W. Galvani,  
P.C.; Thomas W. Galvani

(22) Filed: **Apr. 11, 2020**

(57) **CLAIM**

The ornamental design for a whole body blanket, as shown  
and described.

**Related U.S. Application Data**

**DESCRIPTION**

(63) Continuation-in-part of application No. 29/705,878,  
filed on Sep. 16, 2019, which is a continuation-in-part  
of application No. 29/645,978, filed on Apr. 30, 2018,  
now Pat. No. Des. 886,416, and a continuation-in-part  
of application No. 29/617,421, filed on Sep. 13, 2017,  
now Pat. No. Des. 859,788.

FIG. 1 is a top front perspective view of a whole body  
blanket shown in accordance with our new design;

FIG. 2 is a bottom front perspective view of the whole body  
blanket shown in FIG. 1; and

(51) **LOC (12) Cl.** ..... **02-02**

FIG. 3 is a rear elevation view of the whole body blanket  
shown in FIG. 1;

(52) **U.S. Cl.**

USPC ..... **D2/828**

FIG. 4 is a top front perspective view of a whole body  
blanket shown in accordance with our new design;

(58) **Field of Classification Search**

USPC ..... D2/823–826, 830–831, 860, 828; 2/87

CPC ..... A41D 3/00; A41D 3/08

See application file for complete search history.

FIG. 5 is a bottom front perspective view of the whole body  
blanket shown in FIG. 4; and

FIG. 6 is a rear elevation view of the whole body blanket  
shown in FIG. 4;

(56) **References Cited**

**U.S. PATENT DOCUMENTS**

D41,930 S 11/1911 Kingsbury  
1,739,433 A 12/1929 Young  
D105,075 S 6/1937 Richards  
D105,681 S 8/1937 Zimmerman  
D106,949 S 11/1937 Rosenblatt  
D108,039 S 1/1938 Silvermaii

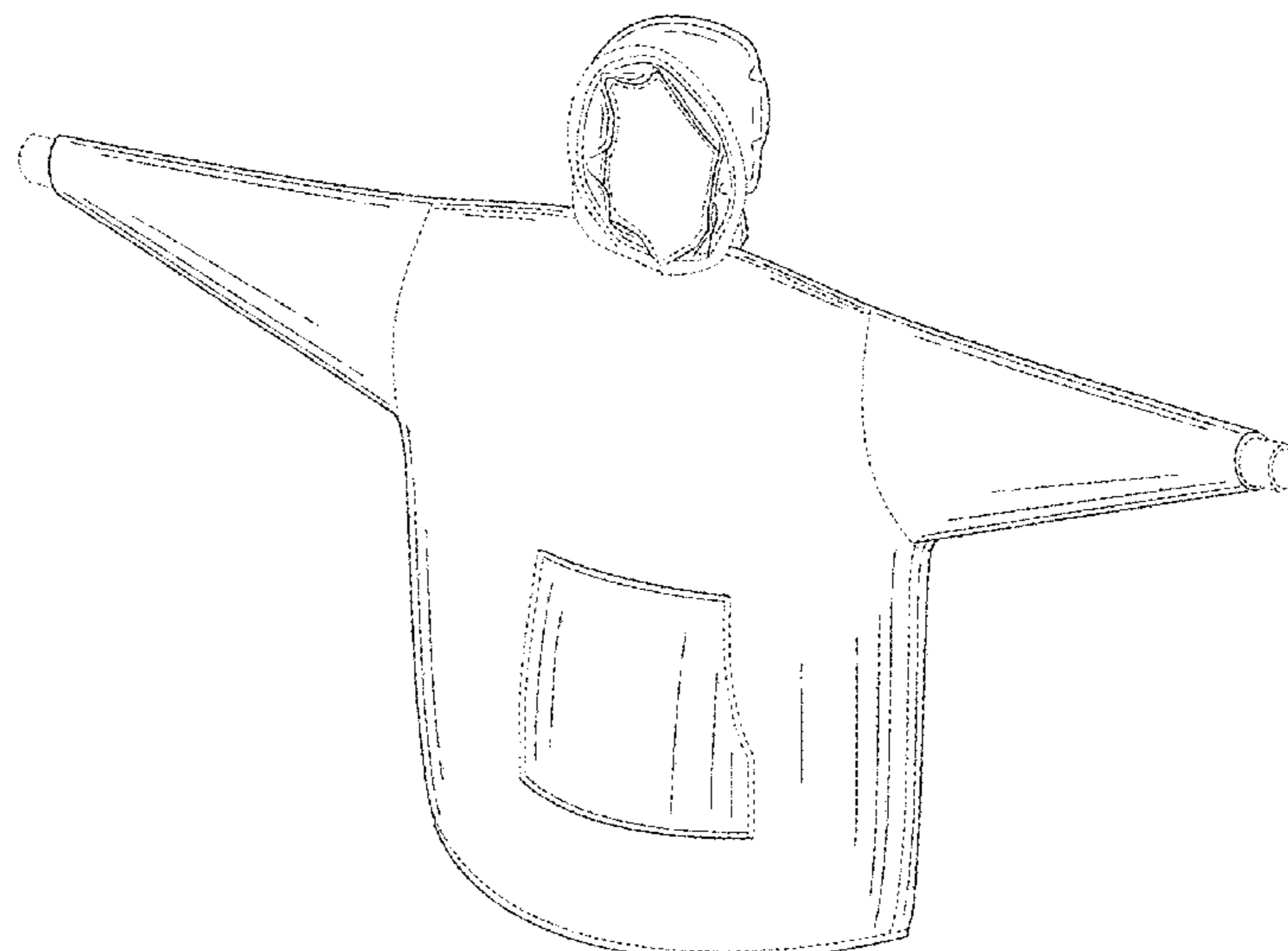
FIG. 7 is a top front perspective view of a whole body  
blanket shown in accordance with our new design;

FIG. 8 is a bottom front perspective view of the whole body  
blanket shown in FIG. 7; and,

FIG. 9 is a rear elevation view of the whole body blanket  
shown in FIG. 7.

The features shown in broken lines illustrate portions of the  
article which form no part of the claimed design.

**1 Claim, 9 Drawing Sheets**



(56)

References Cited

U.S. PATENT DOCUMENTS

D132,340 S 5/1942 Schwartz  
 D139,136 S 10/1944 Gerstman  
 D139,535 S 11/1944 Bauer  
 3,837,006 A 9/1974 Laseman  
 D261,070 S 10/1981 Pettibone  
 D266,880 S 11/1982 Luhtala  
 D277,049 S 1/1985 Peyser  
 D294,535 S 3/1988 Stricklin  
 D296,605 S 7/1988 Asher  
 D298,680 S 11/1988 Chou  
 4,791,681 A 12/1988 Dean  
 D300,280 S 3/1989 Gurrola  
 D338,773 S 8/1993 Wilde  
 D385,088 S 10/1997 Handysides  
 D385,688 S 11/1997 Clausell  
 D430,721 S 9/2000 Beauchan  
 D433,787 S 11/2000 Bellon  
 6,185,743 B1 2/2001 Mick  
 D439,029 S 3/2001 Goldman  
 D477,126 S 7/2003 Dunning et al.  
 D479,902 S 9/2003 Brown  
 D504,800 S 5/2005 Garcia  
 D512,204 S 12/2005 Thomas et al.  
 D539,509 S 4/2007 Fugazzi  
 D541,011 S 4/2007 Day et al.  
 D561,430 S 2/2008 Vincenzo  
 D563,628 S 3/2008 Corbin et al.  
 D566,927 S 4/2008 Graham  
 D568,581 S 5/2008 Wager  
 D570,577 S 6/2008 Keppler  
 D584,482 S 1/2009 Marsh  
 D588,338 S 3/2009 Self  
 D590,131 S 4/2009 Rogondino  
 D590,132 S 4/2009 Rogondino  
 D590,134 S 4/2009 Rogondino  
 D600,884 S 9/2009 Patton  
 D603,140 S 11/2009 Amador  
 D604,479 S 11/2009 Roe et al.  
 D615,731 S 5/2010 Oneto  
 D619,333 S 7/2010 Stowell  
 D621,132 S 8/2010 Crisp  
 D627,540 S 11/2010 Claeys  
 D629,590 S 12/2010 Freedman et al.  
 D630,002 S 1/2011 Brown  
 D633,691 S 3/2011 Tronvold  
 D633,692 S 3/2011 Lawrence et al.  
 D637,377 S 5/2011 Herten  
 D638,200 S 5/2011 Gorson  
 D638,201 S 5/2011 Gosse  
 D638,202 S 5/2011 Gosse  
 D653,836 S 2/2012 Woysner et al.  
 D655,894 S 3/2012 Crye  
 D665,152 S 8/2012 Morales  
 D672,531 S 12/2012 Kelfer  
 D679,484 S \* 4/2013 Brown ..... D2/823  
 D685,160 S 7/2013 Savage  
 D689,669 S 9/2013 Williams  
 D692,212 S 10/2013 Coward  
 8,566,963 B2 10/2013 Ryan  
 D693,543 S 11/2013 Rao  
 D695,491 S 12/2013 Hawkins et al.  
 D700,418 S 3/2014 Borovicka et al.  
 D701,368 S 3/2014 Borovicka et al.  
 D707,923 S 7/2014 Borovicka et al.  
 D717,524 S 11/2014 Allen et al.  
 D719,722 S 12/2014 Bublak  
 8,910,317 B2 12/2014 Decker  
 D721,467 S 1/2015 Tref  
 D728,900 S 5/2015 White  
 D732,799 S 6/2015 Smith  
 D736,496 S 8/2015 Gonzalez  
 D736,497 S 8/2015 Harris  
 D741,576 S 10/2015 Sakosits  
 D744,725 S 12/2015 Judge et al.  
 D747,075 S 1/2016 Ingram

D751,272 S 3/2016 Moehring  
 9,295,292 B2 3/2016 Sachs  
 D754,947 S 5/2016 Borovicka  
 D758,047 S 6/2016 Burlo  
 D758,699 S 6/2016 Darmour  
 D762,048 S 7/2016 Lomax  
 D762,346 S 8/2016 Lomax  
 9,414,631 B2 8/2016 Schrimpf  
 D765,351 S 9/2016 Shaw  
 D767,256 S 9/2016 Adrovic  
 D767,856 S 10/2016 Adrovic  
 D770,136 S 11/2016 Darmour  
 D775,788 S 1/2017 Darmour  
 9,554,601 B2 1/2017 Arajakis  
 D778,033 S 2/2017 Darmour  
 D782,783 S 4/2017 Douglas et al.  
 D783,233 S 4/2017 Steel  
 D783,944 S 4/2017 Lomax  
 D783,945 S 4/2017 Sisseren  
 D784,193 S 4/2017 Freddi et al.  
 D784,659 S 4/2017 Darmour  
 D785,906 S 5/2017 Darmour  
 D786,537 S 5/2017 Ingram  
 D787,160 S 5/2017 Crowe et al.  
 D787,161 S 5/2017 Darmour  
 D789,042 S 6/2017 Lomax  
 D790,807 S 7/2017 Darmour  
 D790,808 S 7/2017 Blackford et al.  
 D790,809 S 7/2017 Lomax  
 9,713,352 B2 7/2017 Demarest  
 D802,886 S 11/2017 Salce et al.  
 D810,401 S 2/2018 Darmour  
 D810,402 S 2/2018 Darmour  
 D811,051 S 2/2018 Darmour et al.  
 D820,560 S 6/2018 Reynolds et al.  
 D827,249 S 9/2018 Darmour et al.  
 10,130,126 B2 11/2018 Blauser et al.  
 D854,787 S \* 7/2019 Ngan ..... D2/825  
 D855,940 S 8/2019 Lomax  
 D859,788 S 9/2019 Speciale et al.  
 10,420,431 B1 9/2019 Speciale et al.  
 D877,461 S \* 3/2020 Mieszczak ..... D2/860  
 2003/0046748 A1 3/2003 Tanenbaum  
 2007/0000030 A1 1/2007 Toomey et al.  
 2007/0074329 A1 4/2007 Marshall et al.  
 2008/0196140 A1 8/2008 Mayerson et al.  
 2009/0229034 A1 9/2009 Zmigrosky  
 2011/0185471 A1 8/2011 Buczkowski et al.  
 2012/0005801 A1 \* 1/2012 Parr ..... A41D 3/00  
 2/84  
 2012/0005802 A1 1/2012 Claeys  
 2012/0144550 A1 \* 6/2012 Nejad ..... A41D 3/08  
 2/84  
 2013/0219581 A1 8/2013 Schrimpf  
 2013/0269082 A1 10/2013 Bramblet  
 2013/0318679 A1 \* 12/2013 Esquer ..... A41D 3/08  
 2/84  
 2014/0310848 A1 10/2014 Ulriksen et al.  
 2014/0317824 A1 10/2014 Browning et al.  
 2014/0331381 A1 11/2014 Arajakis  
 2015/0189924 A1 7/2015 Desbrow  
 2015/0296909 A1 \* 10/2015 Sachs ..... A41B 1/08  
 2/84  
 2016/0242474 A1 8/2016 Baschak et al.  
 2016/0324236 A1 11/2016 Schrimpf  
 2017/0020215 A1 1/2017 Merritt  
 2017/0079350 A1 3/2017 Hourani  
 2018/0092410 A1 4/2018 Rundle  
 2020/0008500 A1 1/2020 Speciale et al.

OTHER PUBLICATIONS

U.S. Appl. No. 29/617,421, filed Sep. 13, 2017, Brian Speciale, Entire Document.  
 U.S. Appl. No. 29/645,978, filed Apr. 30, 2018, Brian Speciale, Entire Document.  
 U.S. Appl. No. 29/705,878, filed Sep. 16, 2019, Brian Speciale, Entire Document.

(56)

**References Cited**

## OTHER PUBLICATIONS

[32% Off] 2020 Kangaroo Pocket Oversized Hoodie in Apricot – Zaful ([https://www.zaful.com/kangaroo-pocket-oversized-hoodie-p\\_487027.html](https://www.zaful.com/kangaroo-pocket-oversized-hoodie-p_487027.html)).

2018 Kangaroo Pocket Oversize Hoodie ([https://www.zaful.com/kangaroo-pocket-oversized-hoodie-p\\_487027.html](https://www.zaful.com/kangaroo-pocket-oversized-hoodie-p_487027.html)).

Adidas Trefoil Hoodie—Blue \_ adidas US (<https://www.adidas.com/us/trefoil-hoodie/FM3784.html>).

Front Solid Full Regular Hoodie Half Zip Kangaroo Pocket Fluffy Hoodie (<https://www.daydaychic.com/Half-Zip-Kangaroo-Pocket-Fluffy-Hoodie-p-1000025963>).

Indigo Indigo Suede Hoodie Dress with Kangaroo Pocket—Toetally You (<https://www.toetallyyou.com/indigo-suede-hoodie-dress-with-kangaroo-pocket.html>).

Popular Color Block Drawstring Hooded Sweatshirt with Kangaroo Pocket—Beautifulhalo.com (<https://www.beautifulhalo.com/popular-color-block-drawstring-hooded-sweatshirt-with-kangaroo-pocket-p-260687.html>).

Stone Island Shadow Project Contrast Panel Drawstring Hoodie—Farfetch (<https://www.farfetch.com/shopping/men/stone-island-shadow-project-contrast-panel-drawstring-hoodie-item-15264001.aspx?storeid=10>).

Stone Island Shadow Project Men zipped pocket sweatshirt (<http://www.caribbeanmicrofinanceforum.com/stone-island-shadow-project-men-zipped-pocket-sweatshirt-boutique-high-quality-681960107-qacglom.html>).

Trefoil Oversize Hoodie (<https://www.adidas.com/us/trefoil-oversize-hoodie/CW1248.html>).

U.S. Appl. No. 29/731,083, filed Apr. 11, 2020, Brian Speciale, Entire Document.

U.S. Appl. No. 29/731,086, filed Apr. 11, 2020, Brian Speciale, Entire Document.

ASOS NYTT Long Sleeve Hoodie Dress, web page (<https://www.asos.com/nytt/nytt-long-sleeve-hoodie-dress/prd/6860969>) retrieved from Internet Archive Wayback Machine (<https://web.archive.org/web/20170307145645/https://www.asos.com/nytt/nytt-long-sleeve-hoodie-dress/prd/6860969>).

Chesterford Children’s Lab Coats, web page ([http://chesterford.co.uk/acatalog/Children\\_s\\_lab\\_coats.html](http://chesterford.co.uk/acatalog/Children_s_lab_coats.html)) retrieved from Internet Archive Wayback Machine ([https://www.archive.org/web/20160322191704/http://chesterford.co.uk/acatalog/Children\\_s\\_lab\\_coats.html](https://www.archive.org/web/20160322191704/http://chesterford.co.uk/acatalog/Children_s_lab_coats.html)).

\* cited by examiner

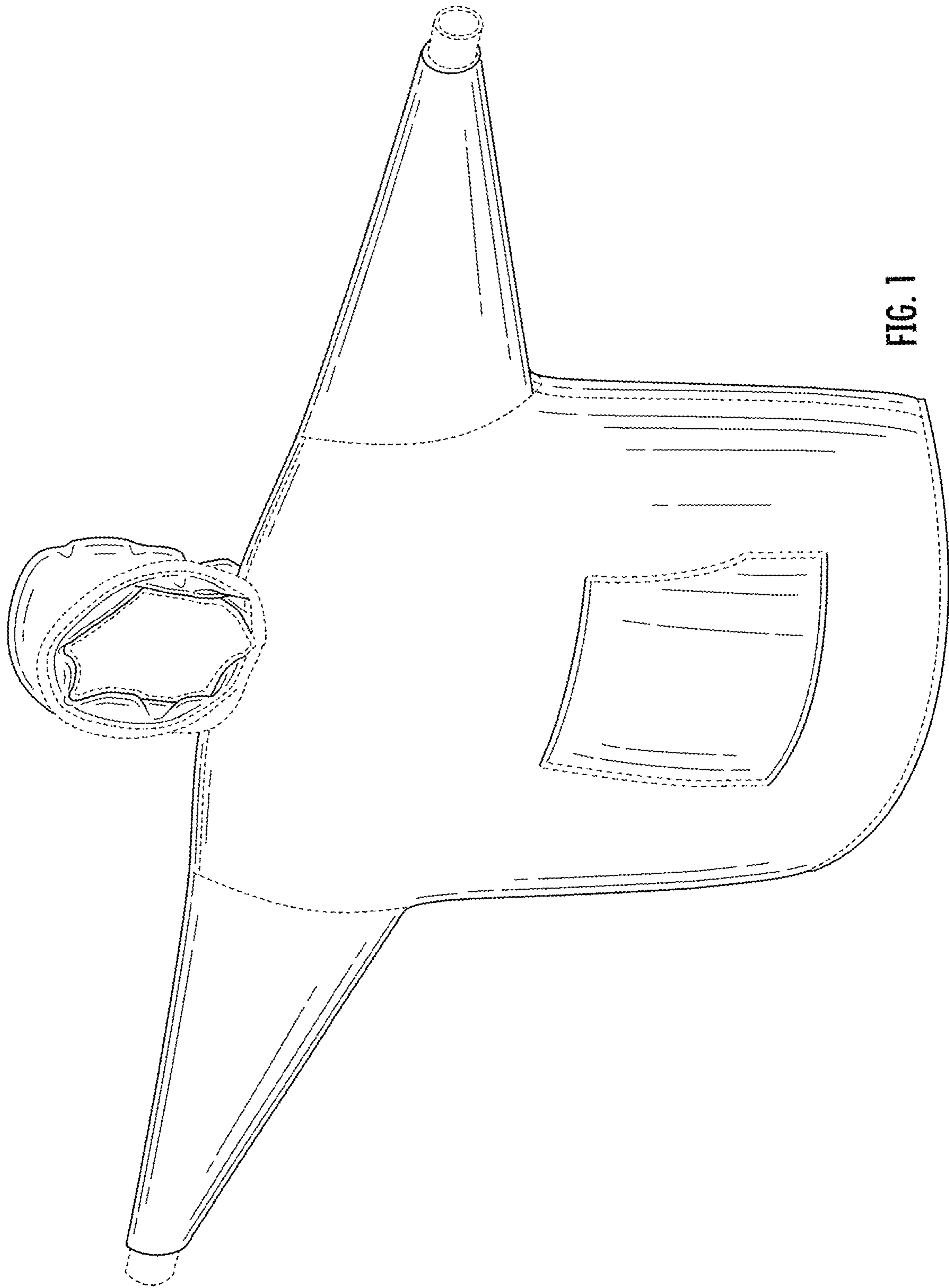


FIG. 1

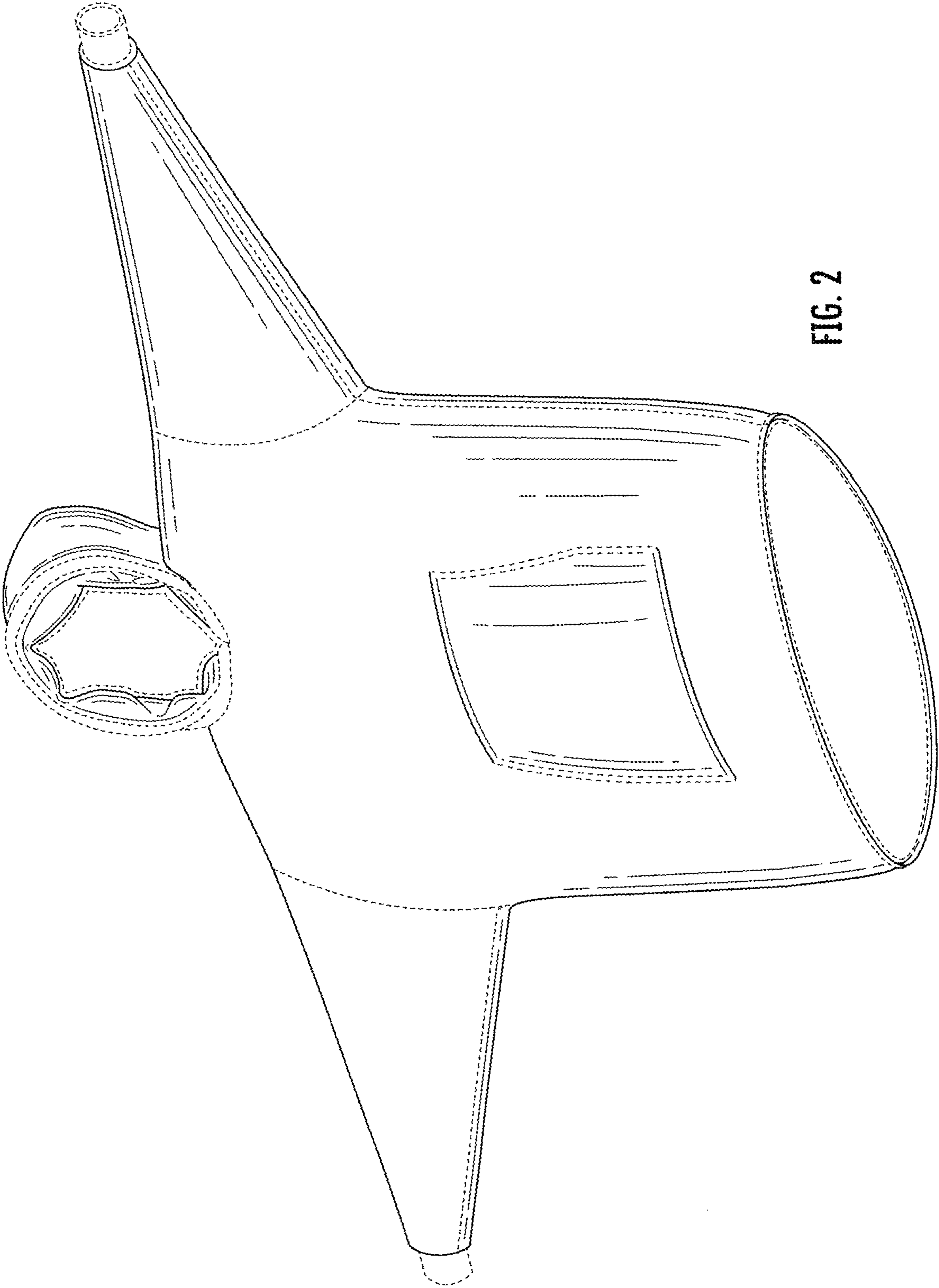


FIG. 2

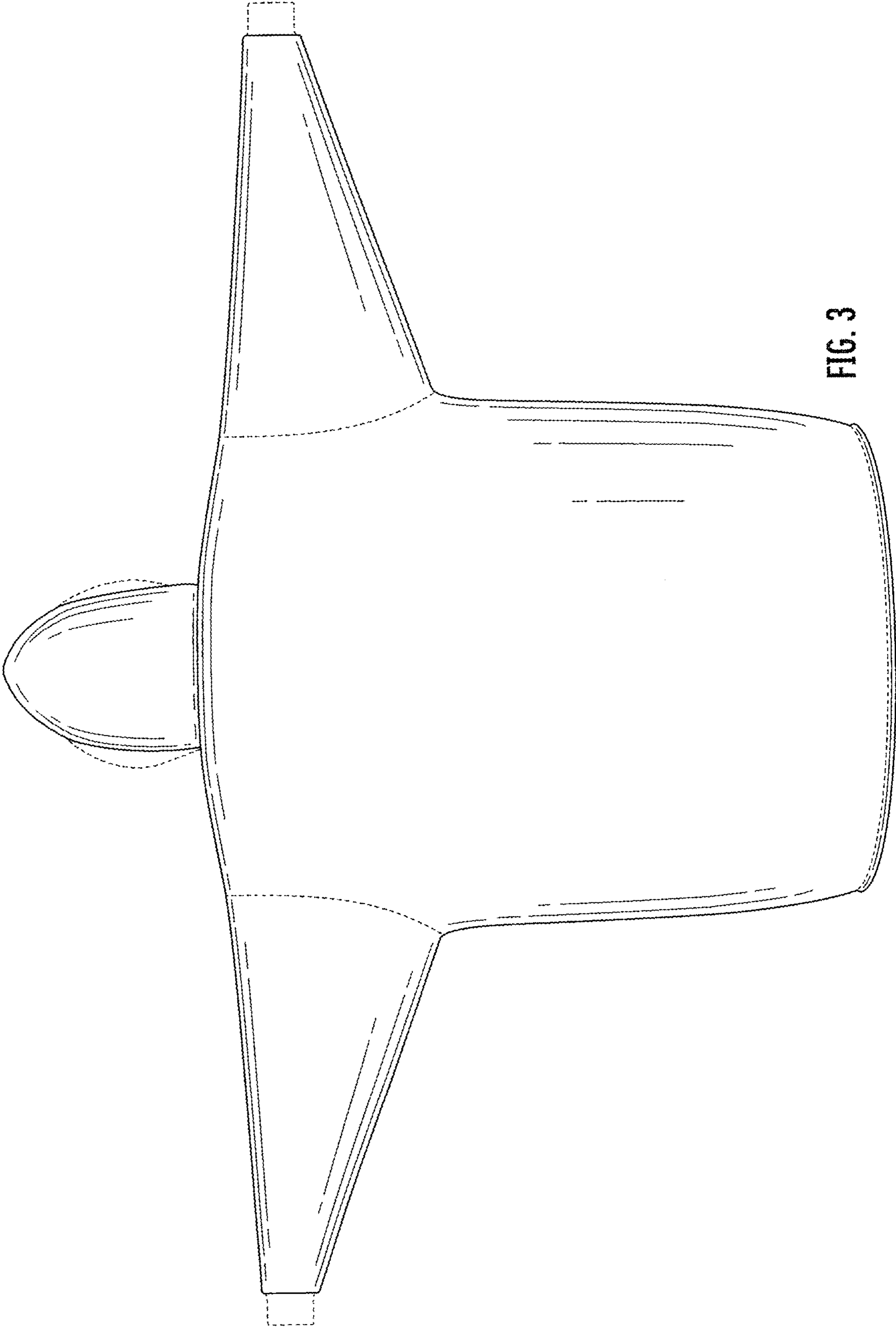


FIG. 3

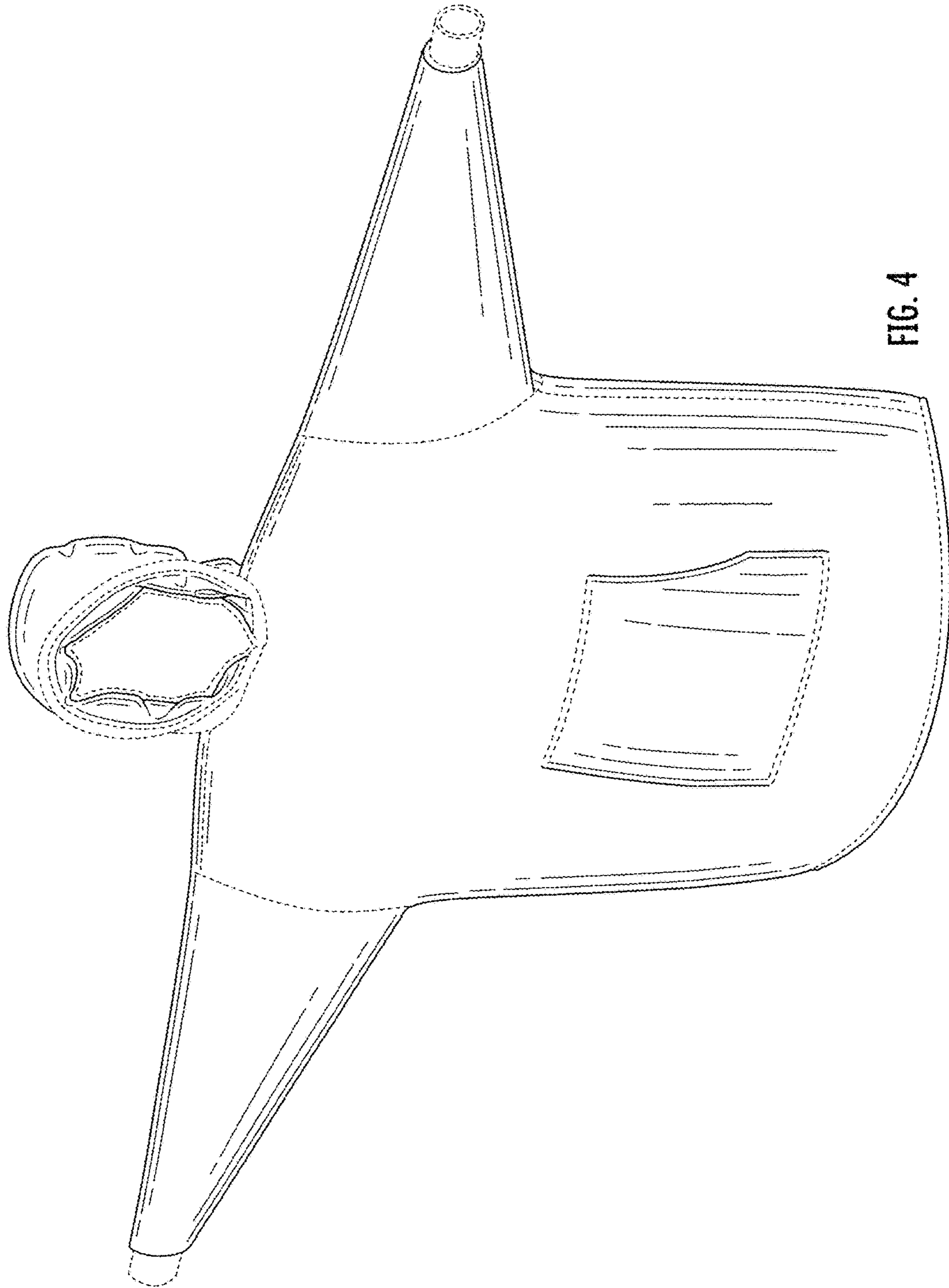


FIG. 4

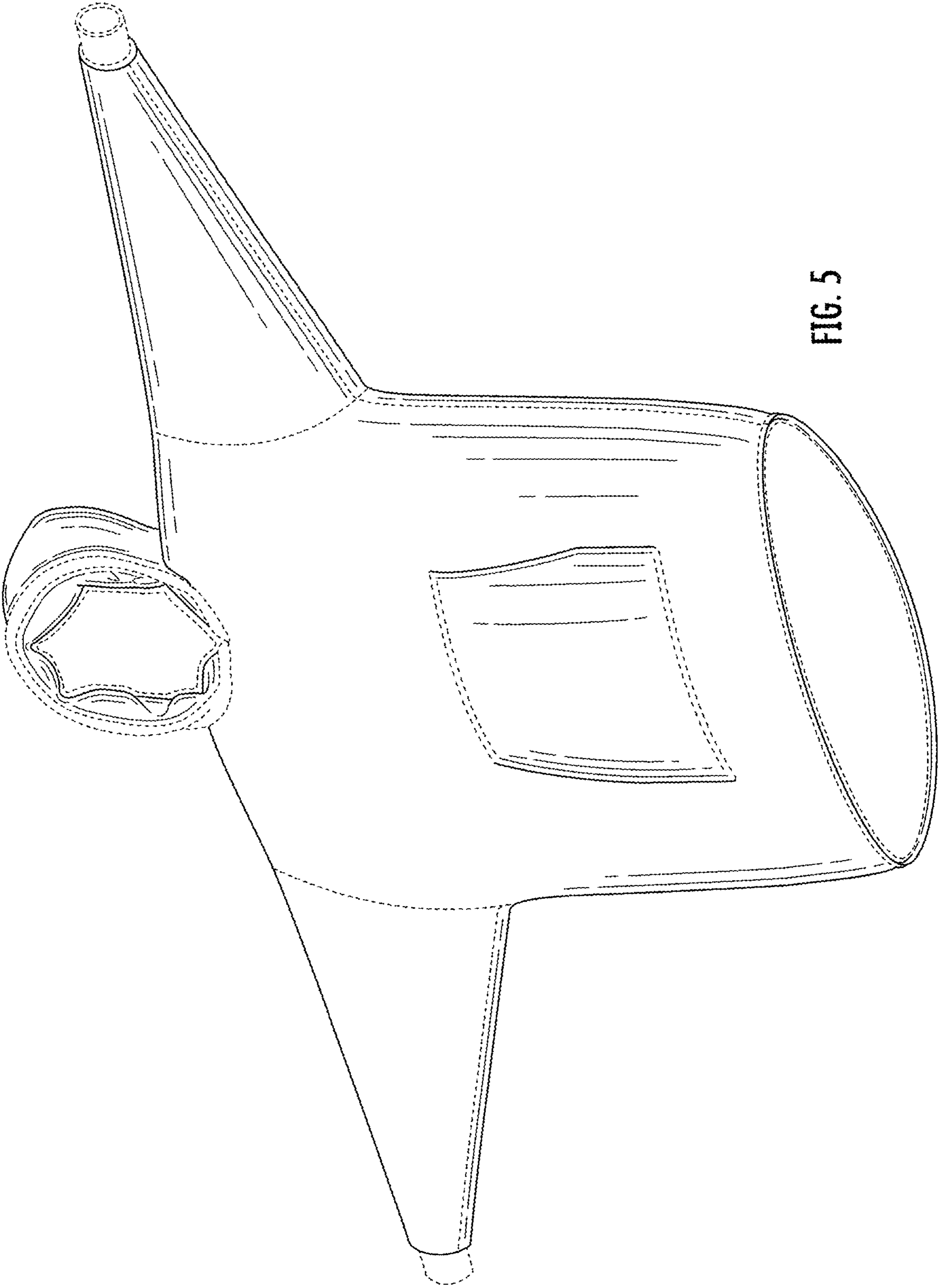
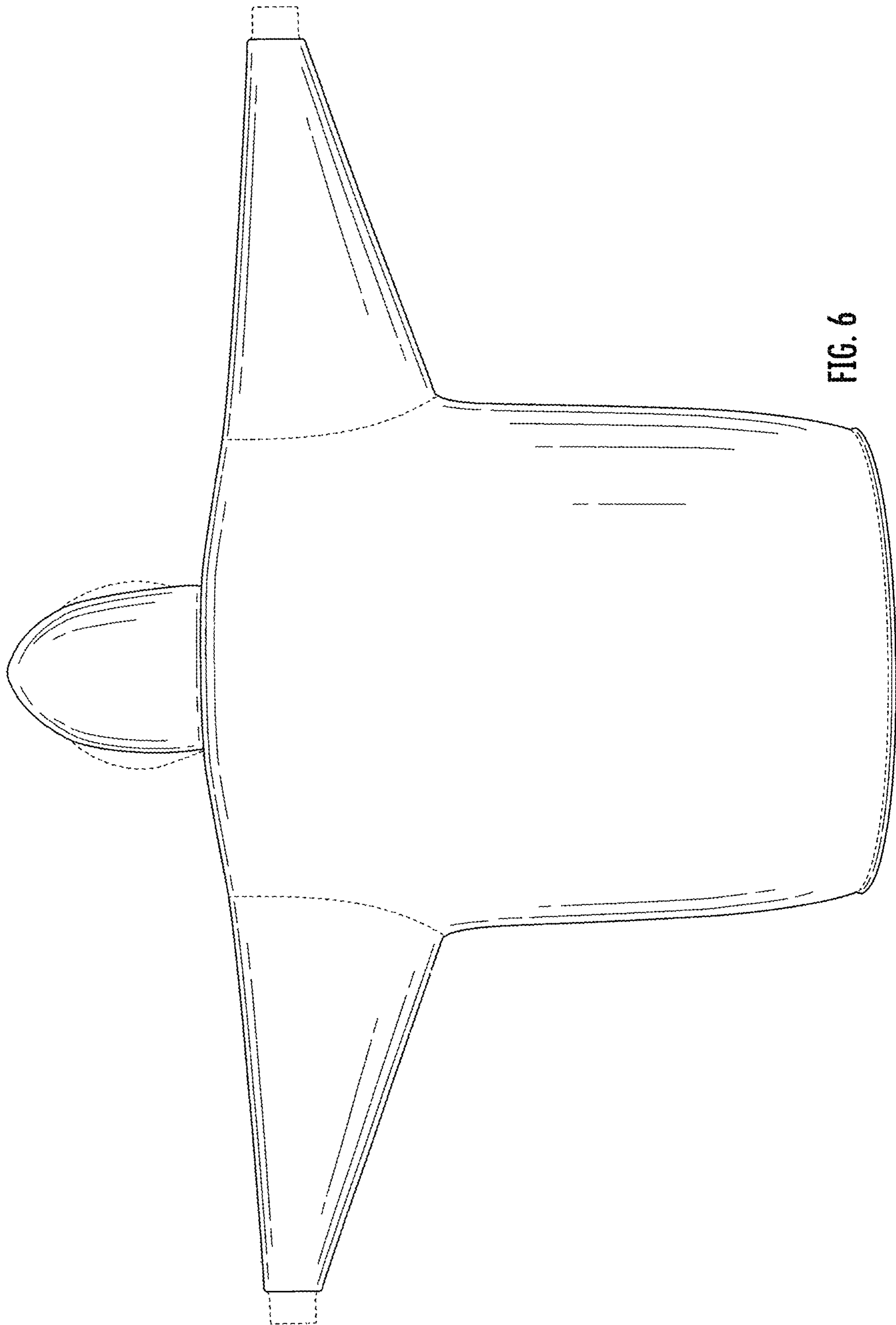
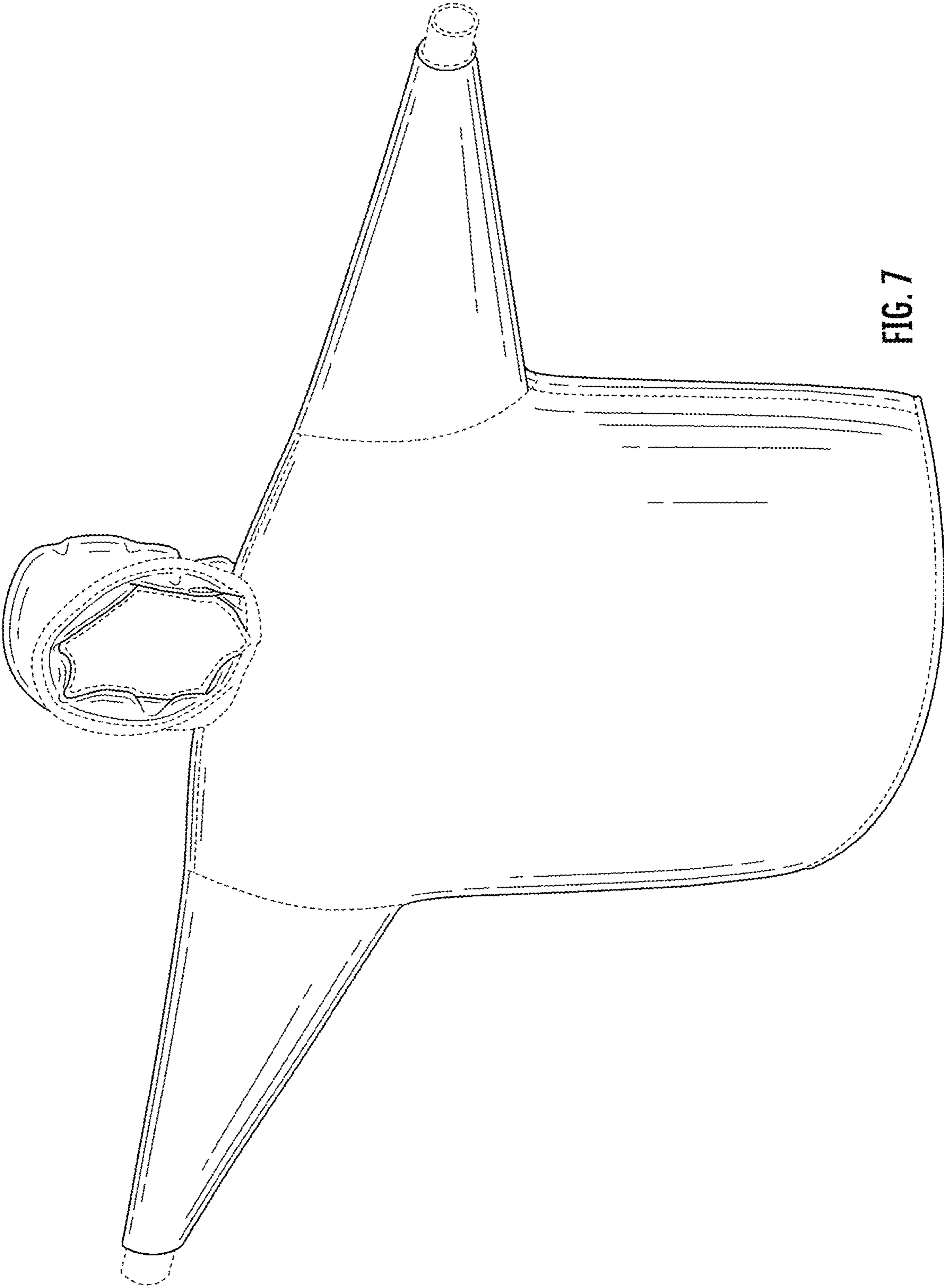


FIG. 5







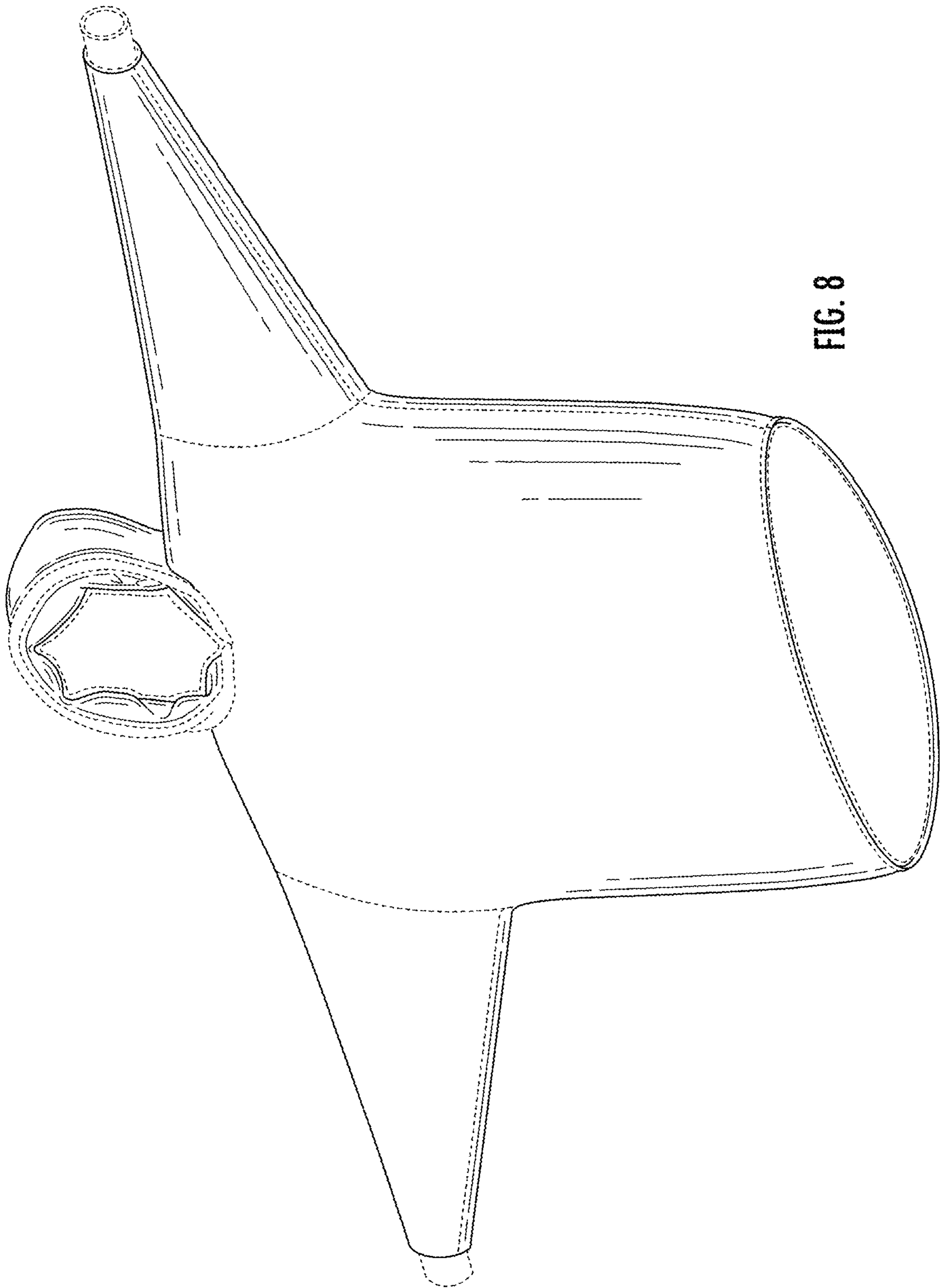


FIG. 8

