



US00D905375S

(12) **United States Design Patent** (10) **Patent No.:** **US D905,375 S**
Lee et al. (45) **Date of Patent:** **** Dec. 15, 2020**

(54) **AUTOMATED TELLER MACHINE**

(56) **References Cited**

(71) Applicant: **HYOSUNG TNS INC.**, Seoul (KR)

U.S. PATENT DOCUMENTS

(72) Inventors: **Hee Youn Lee**, Gyeonggi-do (KR); **Jae Min Cha**, Gyeonggi-do (KR); **Jae Min Park**, Gyeonggi-do (KR)

D283,746 S *	5/1986	Kobayashi	D99/28
D303,448 S *	9/1989	Noda	D99/28
D304,642 S *	11/1989	Kakiuchi	D99/28
D360,735 S *	7/1995	Hall	D99/28
D388,229 S *	12/1997	Couch	D18/4.6
D411,905 S *	7/1999	Molander	D20/2
D456,587 S *	4/2002	Kit	D99/28
D481,516 S *	10/2003	Magee	D99/28
D492,080 S *	6/2004	Magee	D99/28
7,513,420 B1 *	4/2009	Block	G06Q 20/102 235/379
7,533,802 B1 *	5/2009	McGinley	G07F 19/20 235/376
D596,374 S *	7/2009	Kang	D99/28
D597,275 S *	7/2009	Lee	D99/28

(73) Assignee: **HYOSUNG TNS INC.**, Seoul (KR)

(**) Term: **15 Years**

(21) Appl. No.: **29/679,505**

(22) Filed: **Feb. 7, 2019**

(30) **Foreign Application Priority Data**

Aug. 30, 2018 (KR) 30-2018-0040530

(51) **LOC (12) Cl.** **99-00**

(52) **U.S. Cl.**
USPC **D99/28**

(58) **Field of Classification Search**
USPC D99/28, 34, 35, 36, 43, 99;
D14/300-302, 305, 307, 900-902;
D18/3.1-3.3, 4.1-4.6, 12.1-12.3;
D21/324, 325, 329, 369, 370; 101/66;
109/1 R, 1 V, 2, 23, 24.1, 25, 58, 58.5,
109/66; 446/8-13; 705/16, 17, 18, 42,
705/43, 44, 45; 235/51, 379, 380, 381,
235/382, 382.5, 386; 206/0.8, 0.81,
206/0.185, 0.82, 0.84

CPC .. G06Q 20/10; G06Q 20/108; G06Q 20/1085;
G06Q 20/18; G07D 1/00; G07D 1/02;
G07D 1/04; G07D 1/06; G07D 11/00;
G07D 9/002; G07D 9/04; G07F 19/20;
G07F 19/201; G07F 19/202; G07F
19/203; G07F 19/204; G07F 19/105;
G07F 19/21; G07F 19/00; G07F 7/04;
G07F 5/00; G07F 1/00; E05G 7/001;
E05G 1/006; A63H 33/00; A63H 33/005

See application file for complete search history.

(Continued)

Primary Examiner — Elizabeth J Oswecki

(74) *Attorney, Agent, or Firm* — Bacon & Thomas, PLLC

(57) **CLAIM**

We claim the ornamental design for an automated teller machine, as shown and described.

DESCRIPTION

FIG. 1 is a perspective view of an automated teller machine, showing our new design;

FIG. 2 is a front view thereof;

FIG. 3 is a rear view thereof;

FIG. 4 is a left side view thereof;

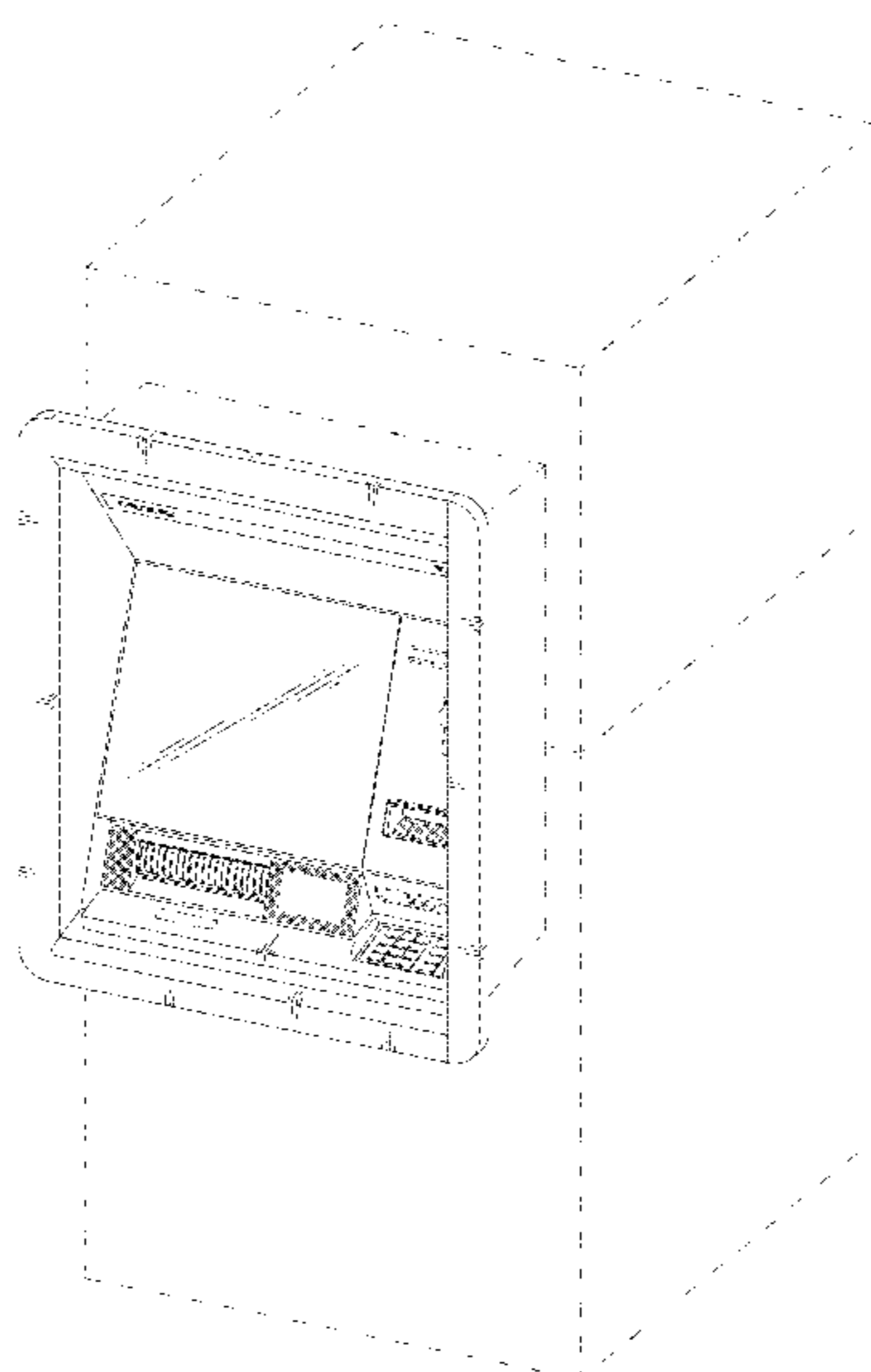
FIG. 5 is a right side view thereof;

FIG. 6 is a top view thereof; and,

FIG. 7 is a bottom view thereof.

The broken lines shown in the drawings represent portions of the automated teller machine, that form no part of the claimed design.

1 Claim, 7 Drawing Sheets



(56)

References Cited

U.S. PATENT DOCUMENTS

7,584,885 B1 * 9/2009 Douglass G06Q 20/1085
235/375
D615,274 S * 5/2010 Kim D99/28
D625,305 S * 10/2010 Bleck D14/307
D625,485 S * 10/2010 Lee D99/28
D672,525 S * 12/2012 Lee D14/900
D682,504 S * 5/2013 Lee D14/900
D696,484 S * 12/2013 Lee D99/28
D769,570 S * 10/2016 Kraft D99/28
D787,773 S * 5/2017 Park D99/28
D825,883 S * 8/2018 Oh D99/28
D859,778 S * 9/2019 Pieratt D99/28
2004/0262379 A1 * 12/2004 Gomes G06Q 30/06
235/379
2005/0029340 A1 * 2/2005 Ferraro G07F 7/00
235/379
2008/0296365 A1 * 12/2008 Schliebe G01G 19/52
235/379
2010/0161489 A1 * 6/2010 Goodall G06Q 20/042
705/45

* cited by examiner

Fig 1

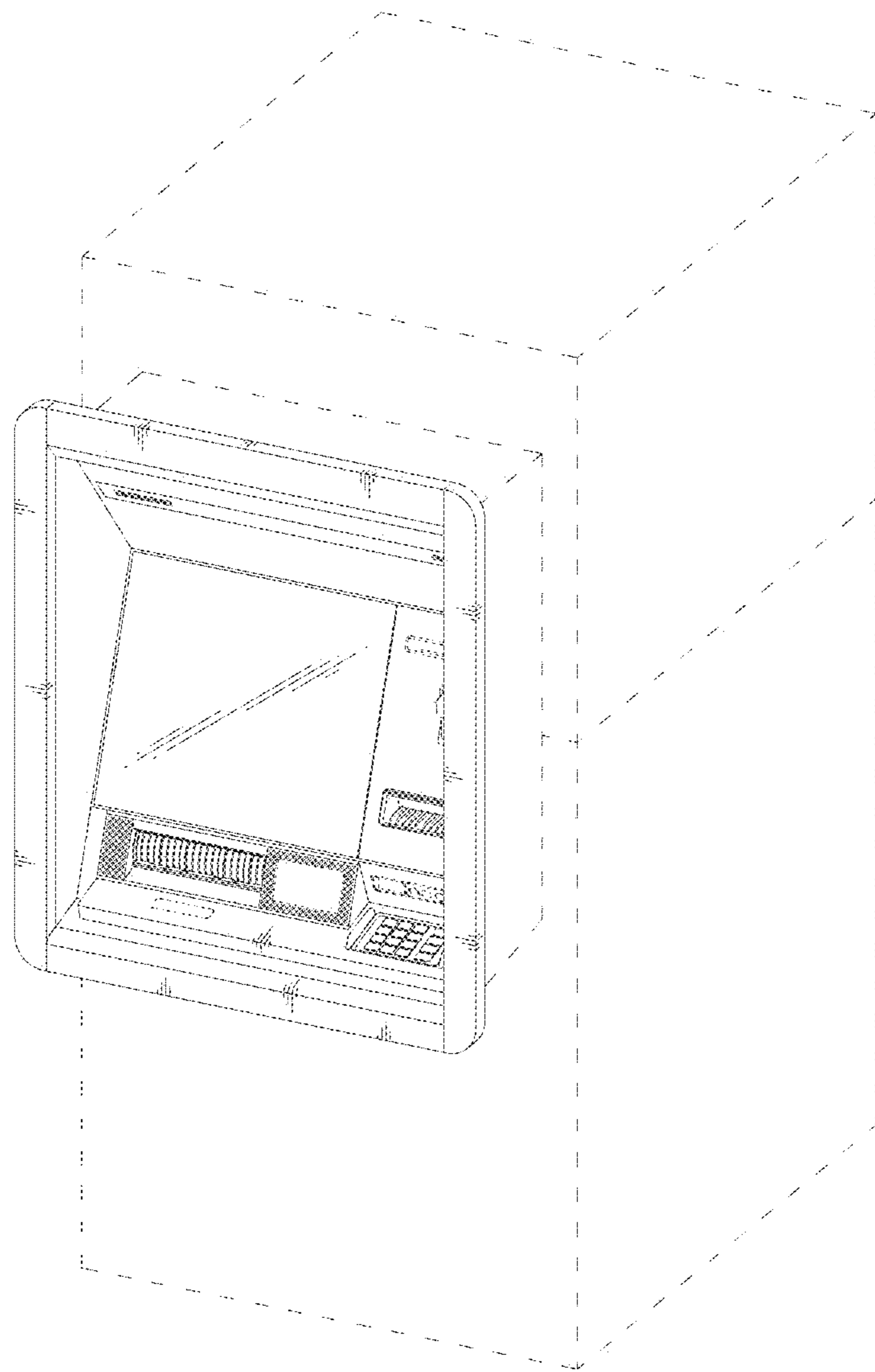


Fig 2

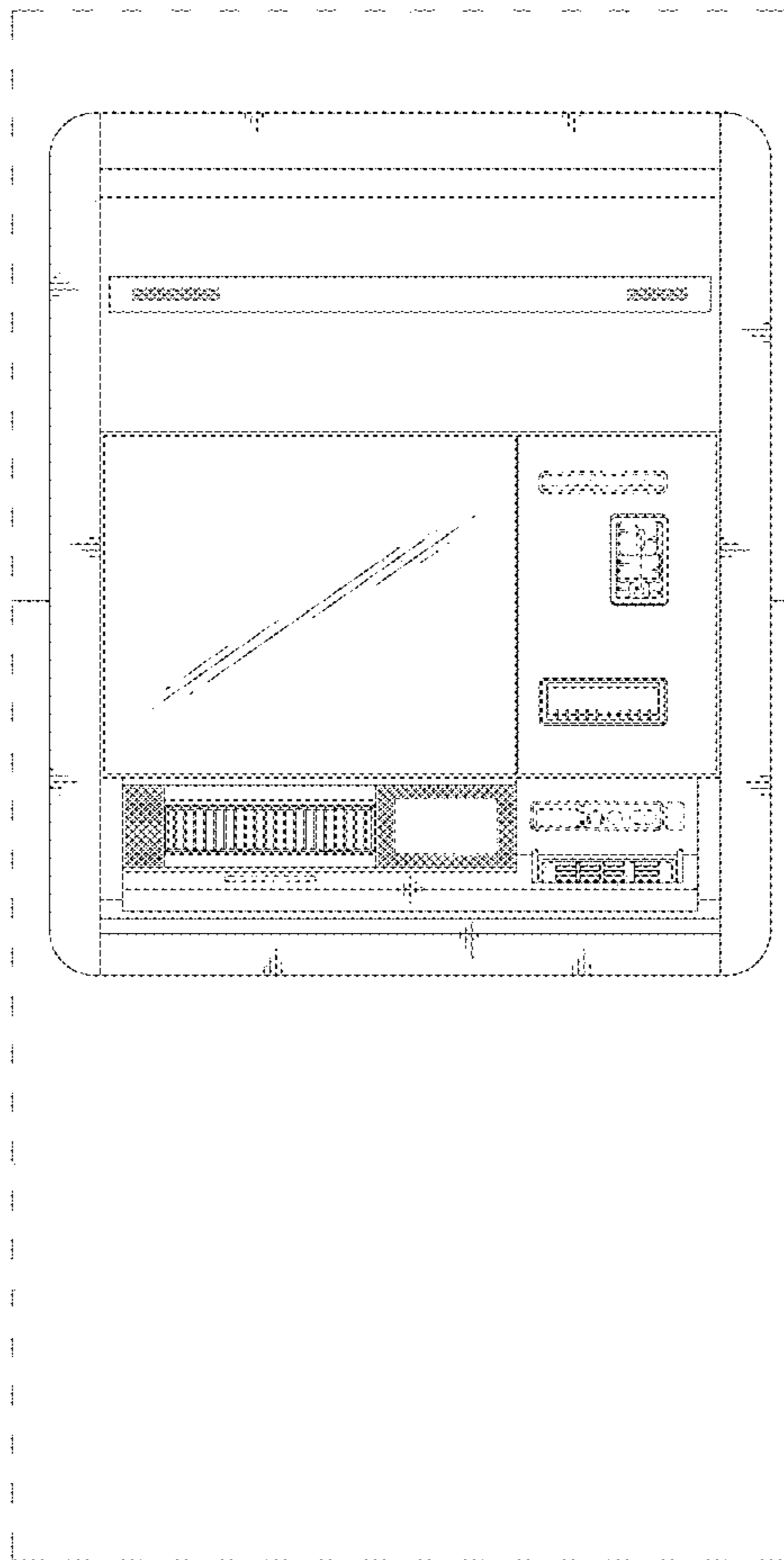


Fig 3

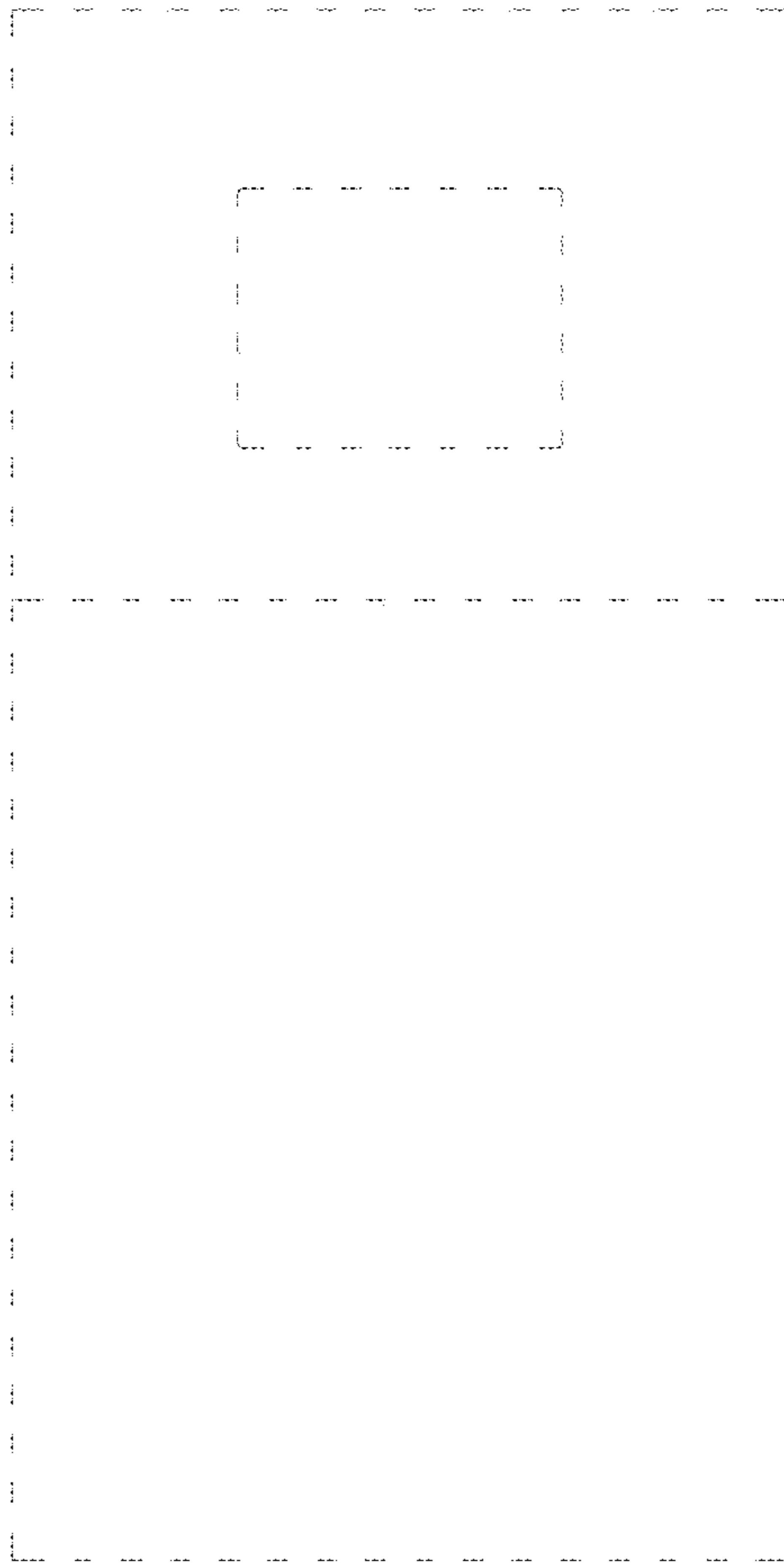


Fig 4

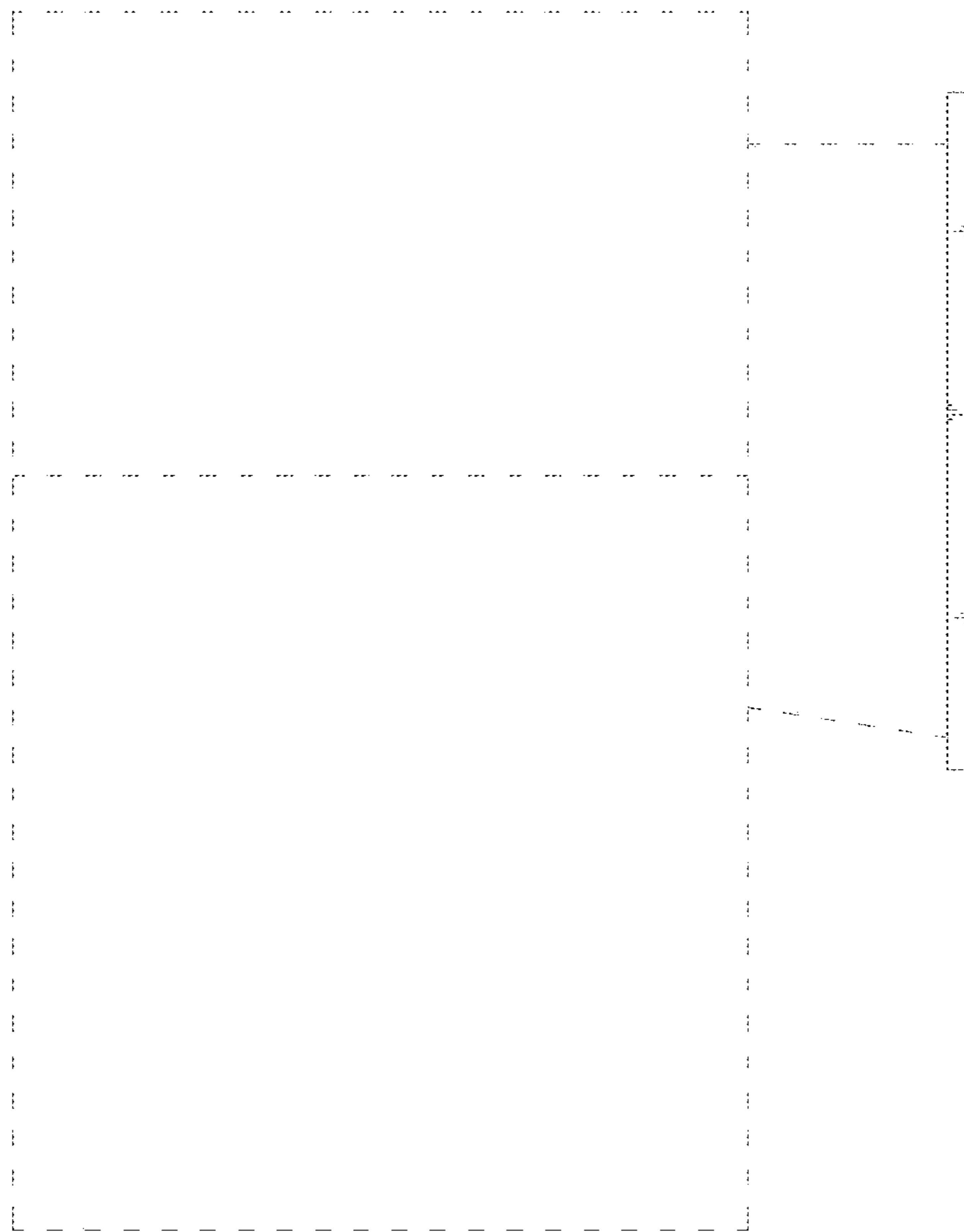


Fig 5

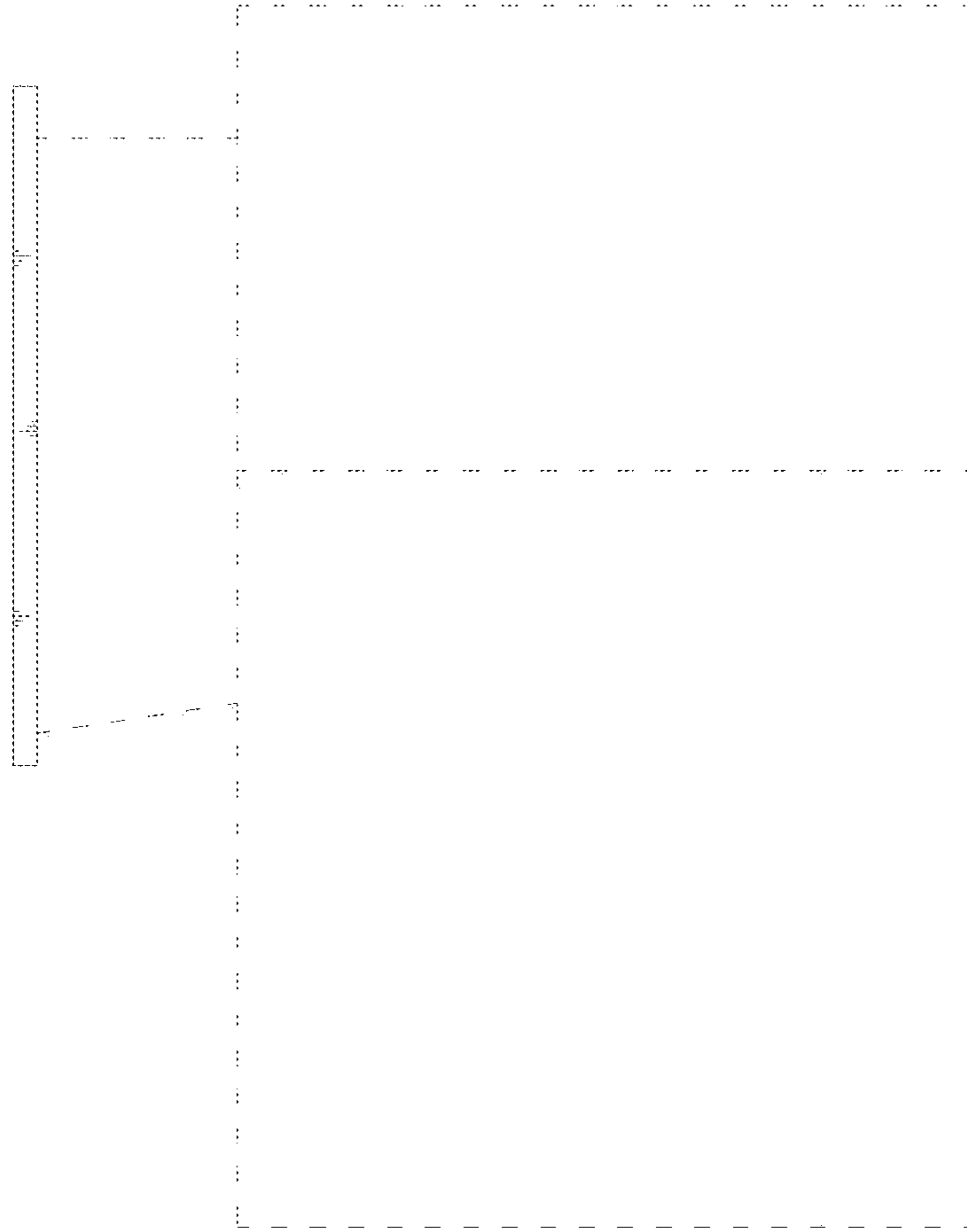


Fig 6



Fig 7

