



US00D905374S

(12) **United States Design Patent** (10) **Patent No.:** **US D905,374 S**  
**Ruiz Estrella et al.** (45) **Date of Patent:** **\*\* Dec. 15, 2020**

(54) **STACKABLE RACK FOR CARBOYS**

(71) Applicant: **PLÁSTICOS TÉCNICOS MEXICANOS, S.A. DE C.V.**, San Juan del Rio (MX)

(72) Inventors: **Juan Ruiz Estrella**, San Juan del Río (MX); **Juan Pedro Baca Sánchez**, San Juan del Río (MX); **José Ricardo Peña Zapata**, El Marqués (MX)

(73) Assignee: **PLÁSTICOS TÉCNICOS MEXICANOS, S.A. DE C.V.**, San Juan del Rio (MX)

(\*\*) Term: **15 Years**

(21) Appl. No.: **29/655,166**

(22) Filed: **Jun. 29, 2018**

(51) **LOC (12) Cl.** ..... **09-08**

(52) **U.S. Cl.**  
USPC ..... **D34/38**

(58) **Field of Classification Search**  
USPC ..... D34/38  
CPC ..... B65D 2519/00034; B65D 2519/00069; B65D 2519/00208; B65D 19/0002; B65D 19/0018; B65D 19/38; B65D 19/42; B60P 3/055

See application file for complete search history.

(56) **References Cited**

**U.S. PATENT DOCUMENTS**

- 3,428,002 A \* 2/1969 McIntire, Jr. .... B65D 19/0002 248/346.02
- 3,509,832 A \* 5/1970 Daisley, Jr. .... B65D 19/0002 108/57.25
- 3,654,877 A \* 4/1972 Barrett ..... B65D 19/0095 108/56.1
- D256,346 S \* 8/1980 Annis ..... D34/38
- D346,681 S \* 5/1994 Pigott ..... D34/28
- D412,399 S \* 8/1999 Apps ..... D3/312

- D466,018 S \* 11/2002 Apps ..... D34/38
- D628,354 S \* 11/2010 Garton ..... D34/38
- 9,278,838 B2 \* 3/2016 Apps ..... A47B 81/007
- D866,912 S \* 11/2019 Sostmann ..... D34/38
- 2007/0221593 A1 \* 9/2007 Apps ..... B60P 3/055 211/74
- 2008/0083683 A1 \* 4/2008 Apps ..... A47B 73/006 211/74
- 2008/0142459 A1 \* 6/2008 Donnell ..... A47B 81/007 211/74

\* cited by examiner

*Primary Examiner* — Cynthia Ramirez

(74) *Attorney, Agent, or Firm* — Womble Bond Dickinson (US) LLP

(57) **CLAIM**

The ornamental design for a stackable rack for carboys, shown and described.

**DESCRIPTION**

FIG. 1 is a perspective view of the stackable rack for carboys of the present application.

FIG. 2 is a top view of the stackable rack for carboys.

FIG. 3 is a bottom view of the stackable rack for carboys.

FIG. 4 is a front view of the stackable rack for carboys.

FIG. 5 is a back view of the stackable rack for carboys.

FIG. 6 is a right side view of the stackable rack for carboys, the left side view being a mirror image thereof.

FIG. 7 is a bottom perspective view of the stackable rack for carboys.

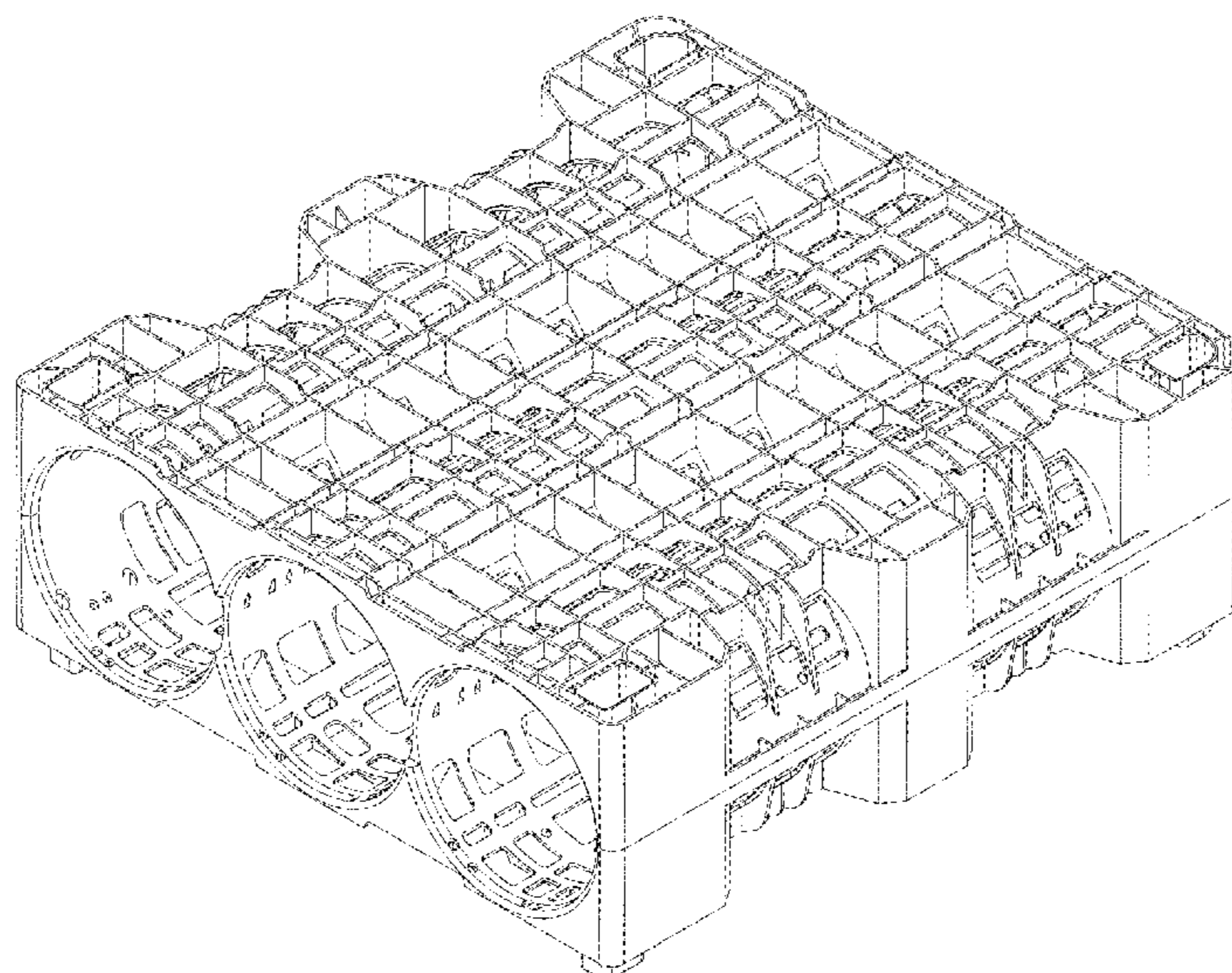
FIG. 8 is a back perspective view of the stackable rack for carboys

FIG. 9 is a perspective view of the stackable rack for carboys shown in a condition of use; and,

FIG. 10 is a perspective view of the stackable rack for carboys shown in another condition of use.

The broken lines in the figures are for the purpose of illustrating environment that form no part of the claimed design.

**1 Claim, 9 Drawing Sheets**



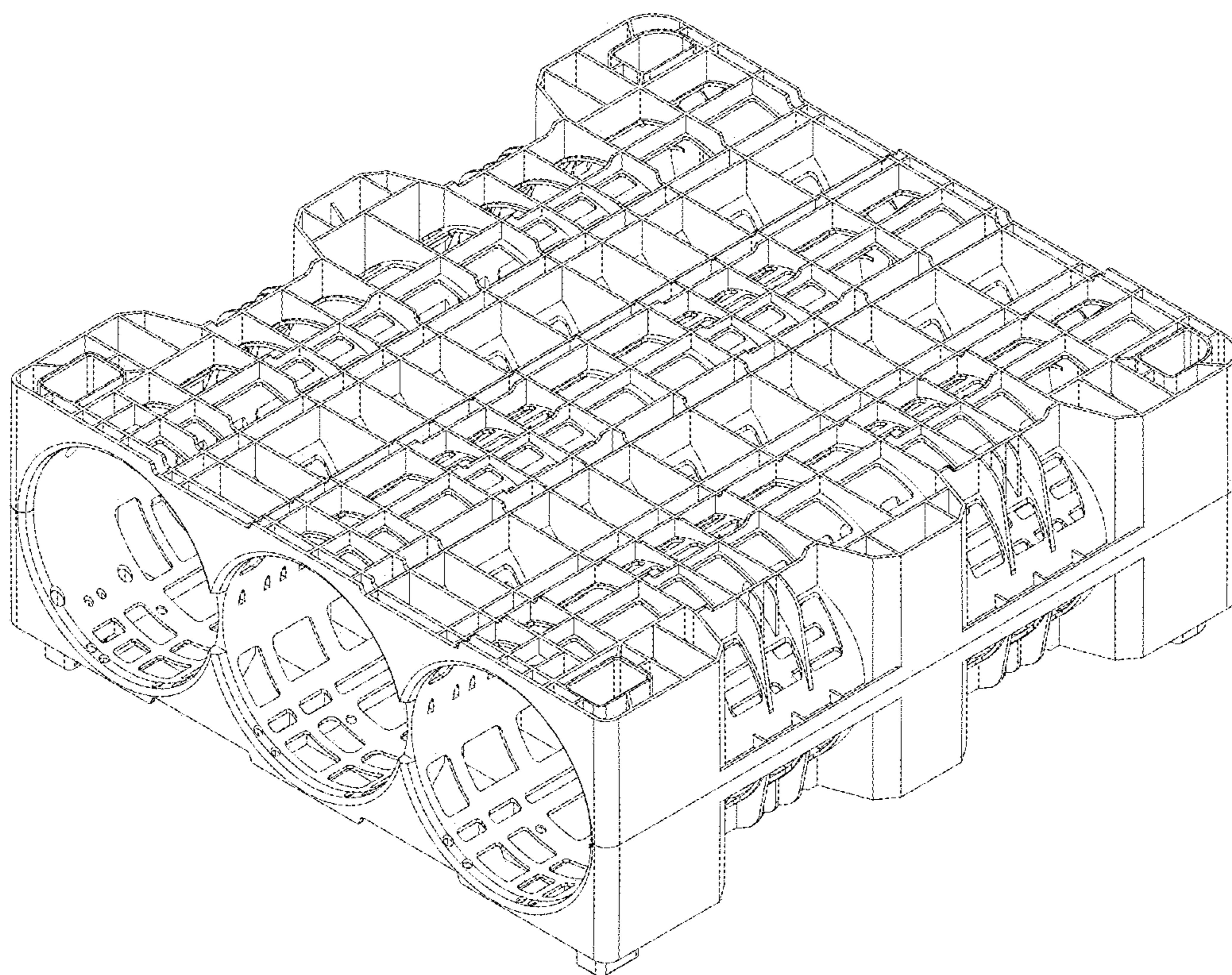


FIGURE 1

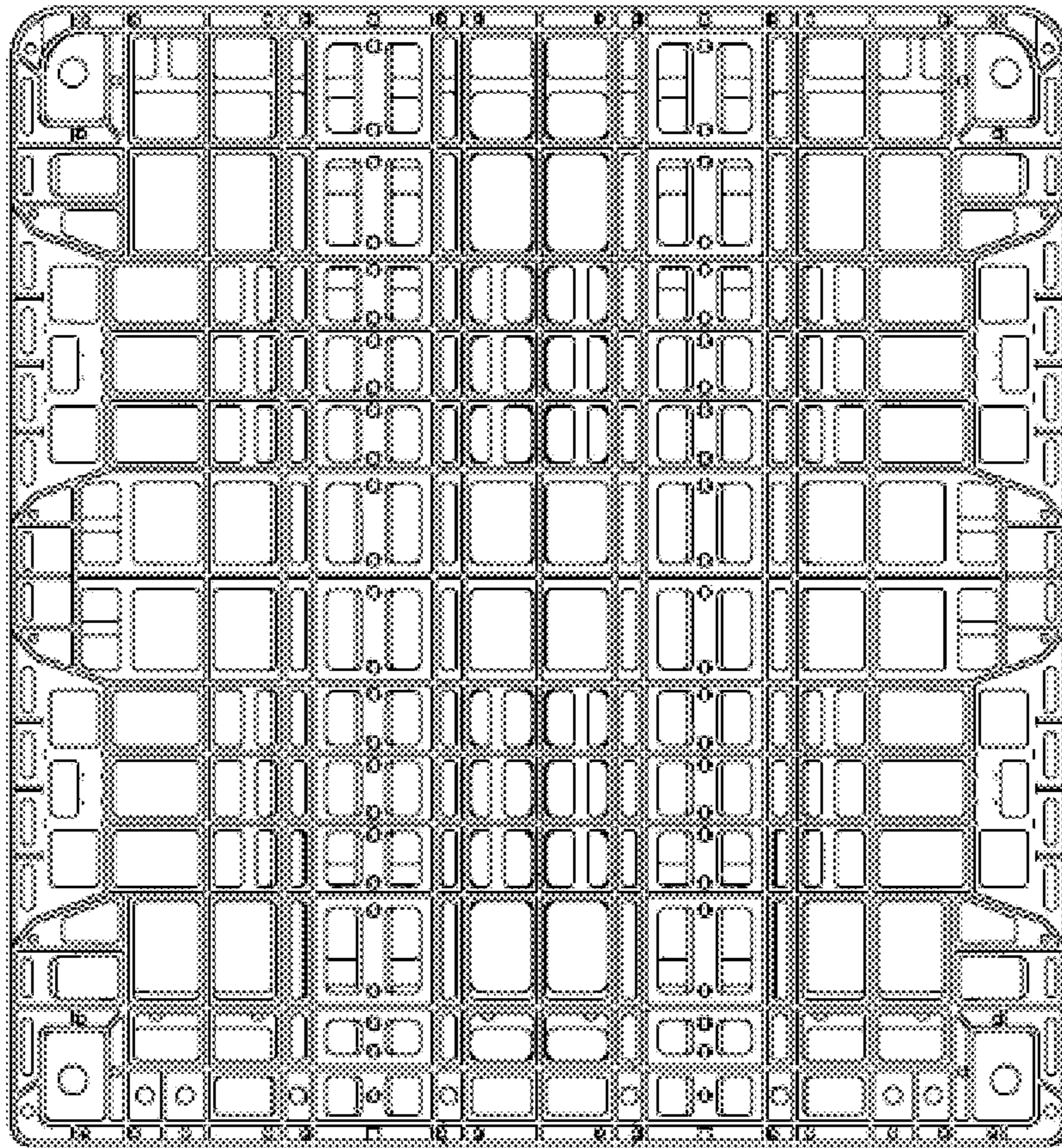


FIGURE 2

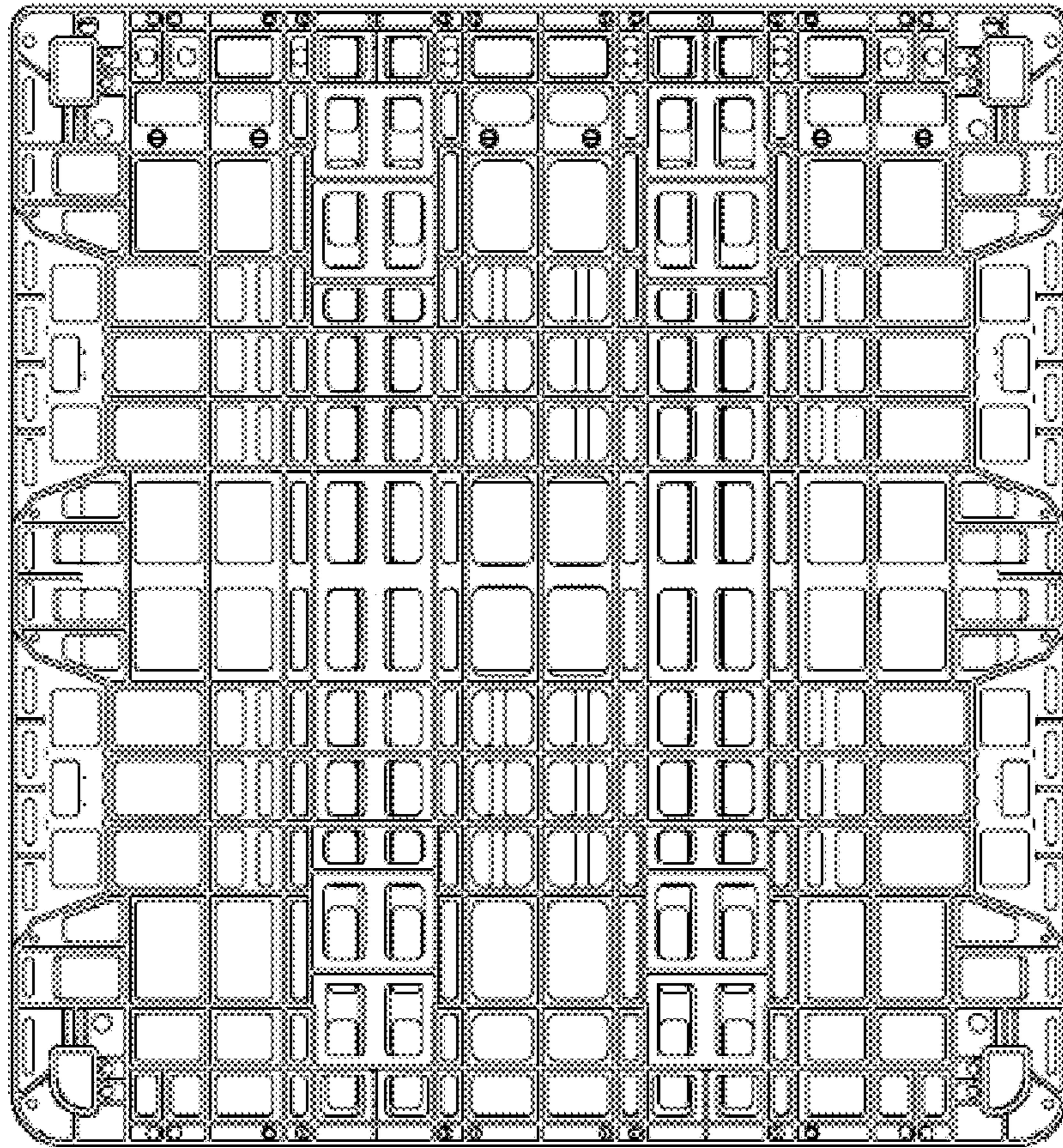


FIGURE 3

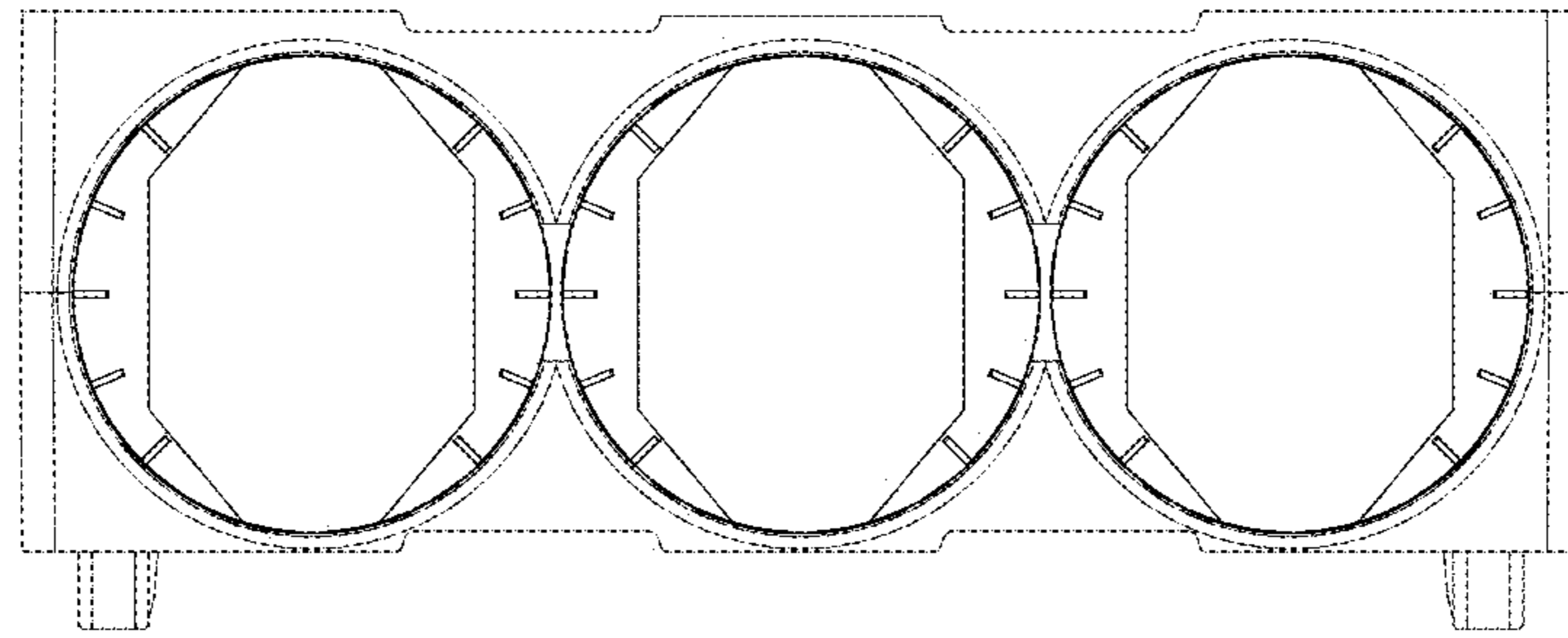


FIGURE 4

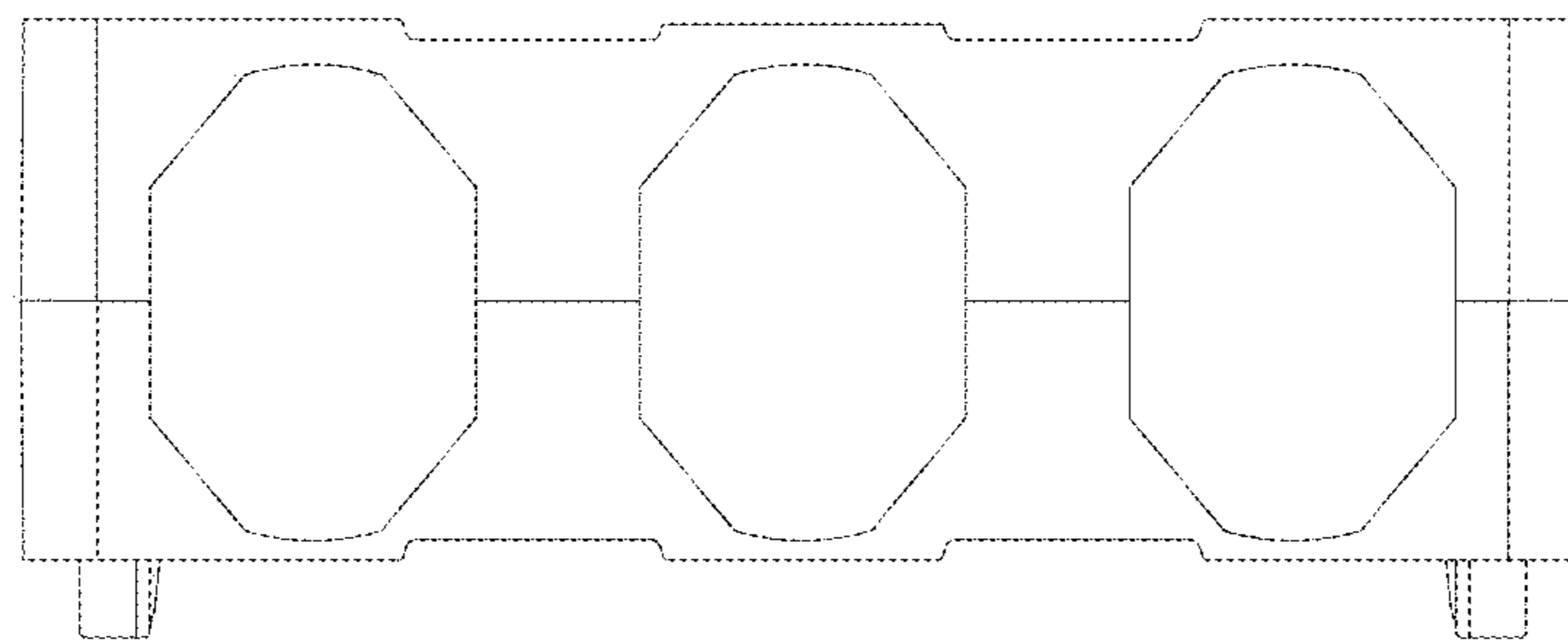


FIGURE 5

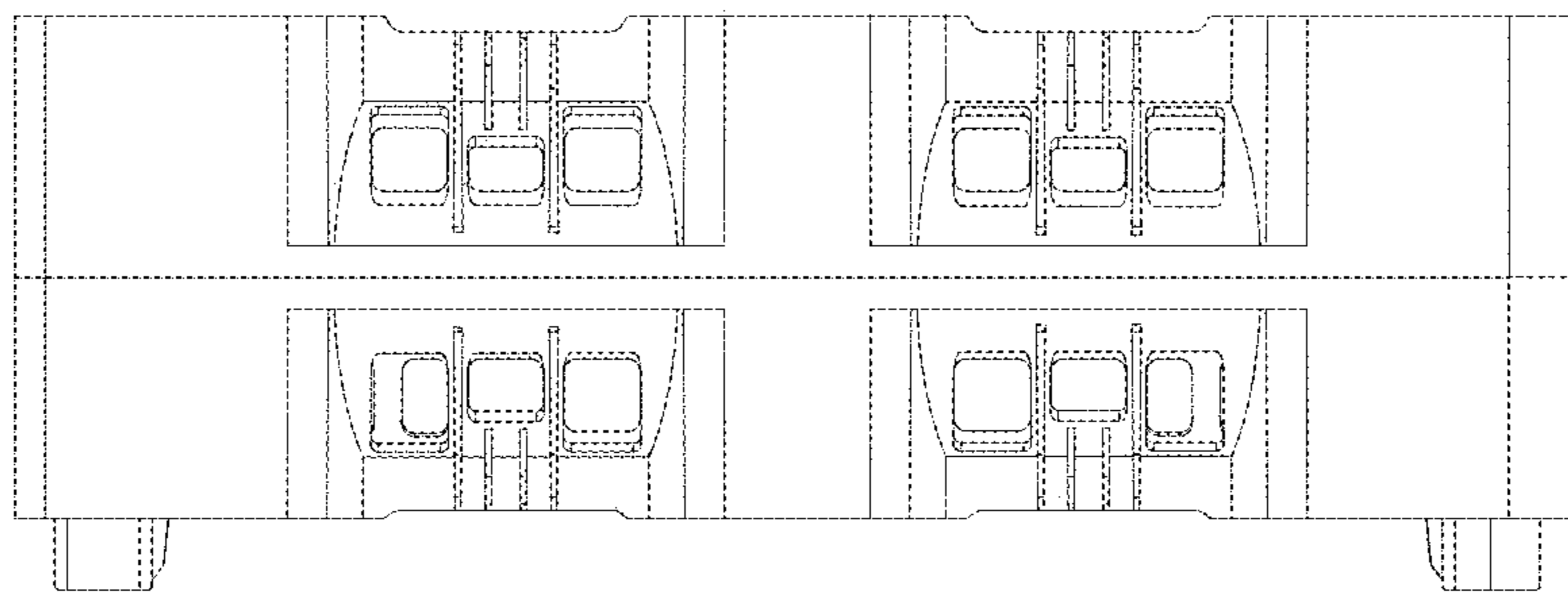


FIGURE 6

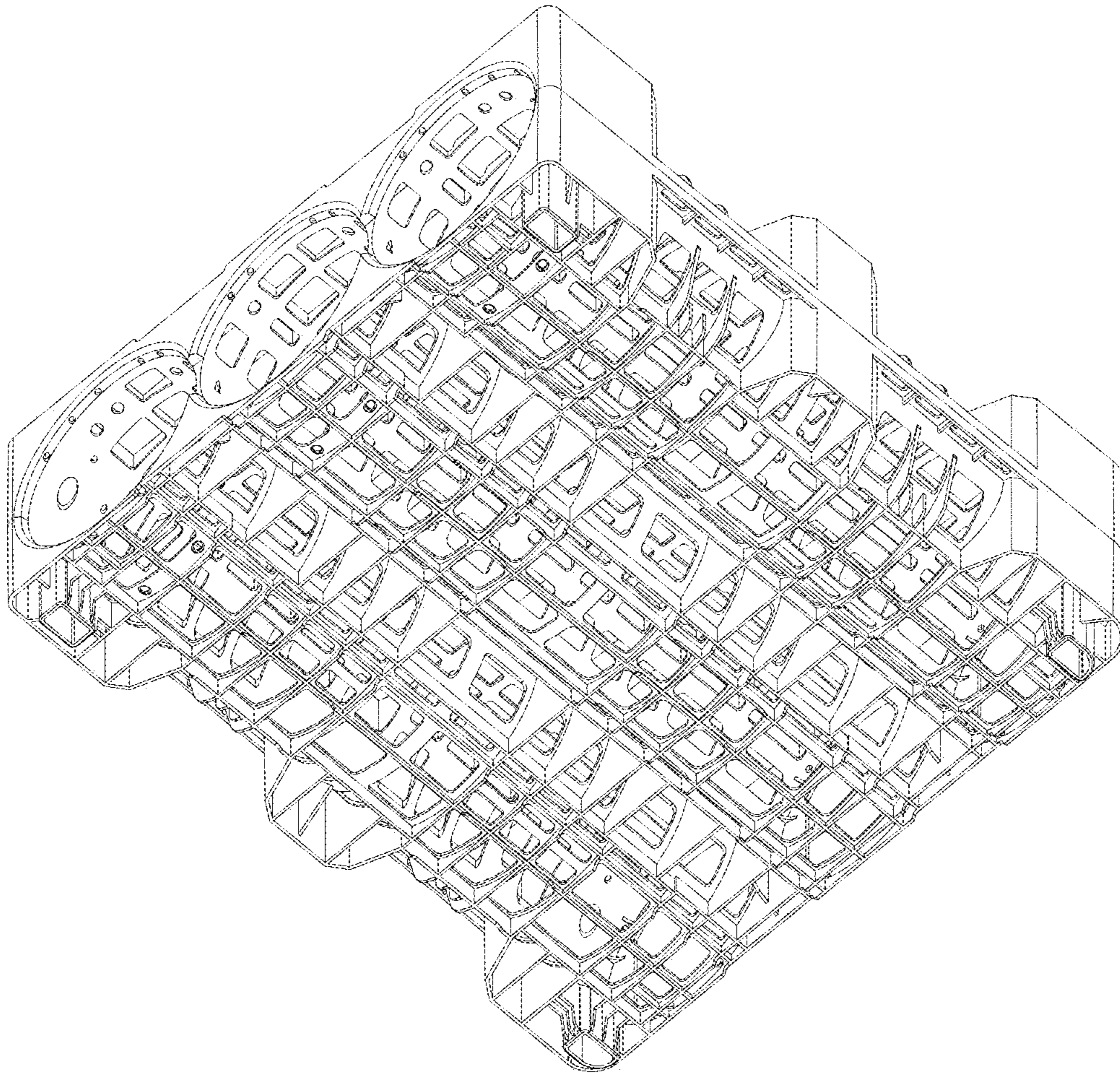


FIGURE 7

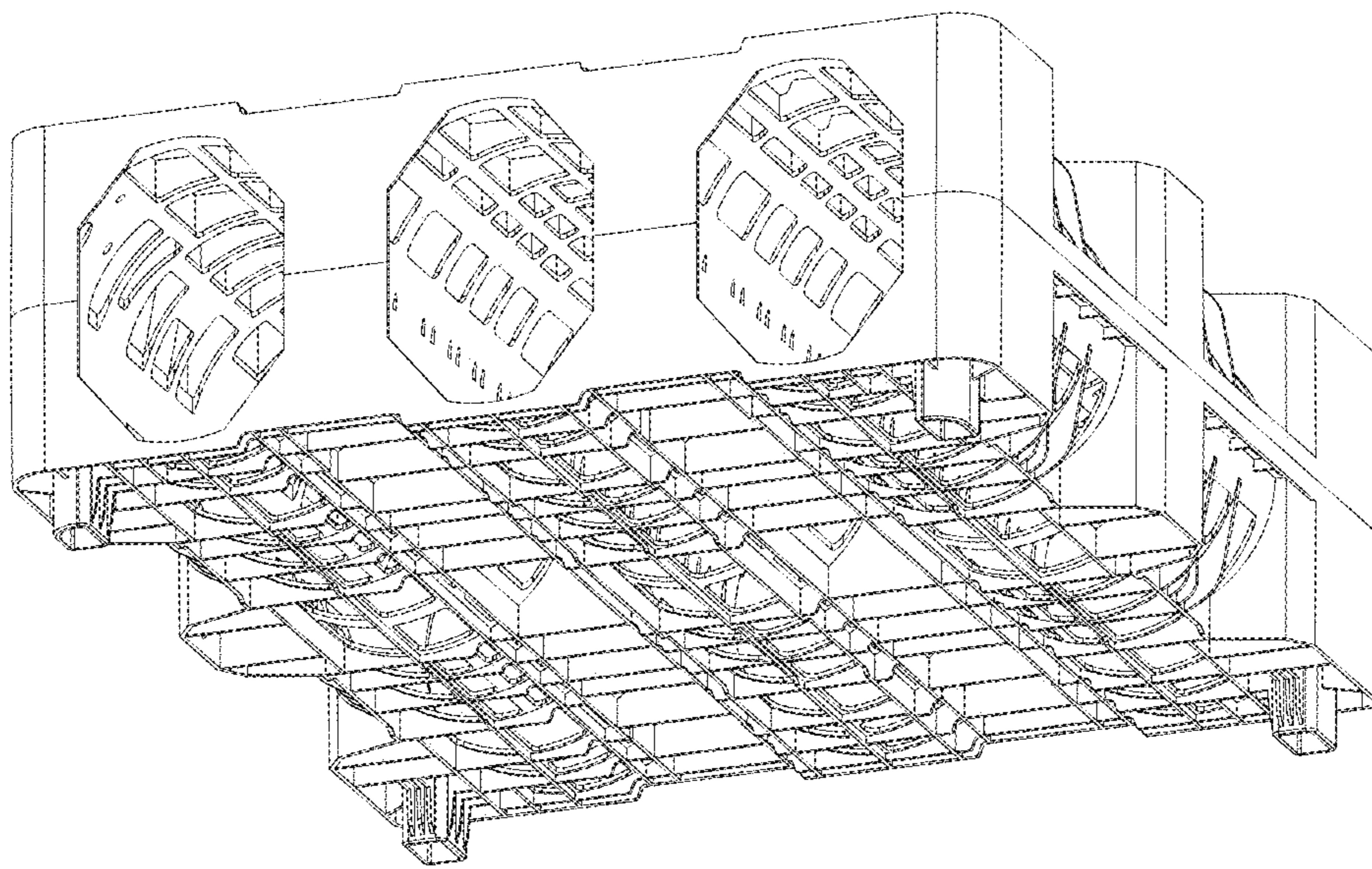


FIGURE 8



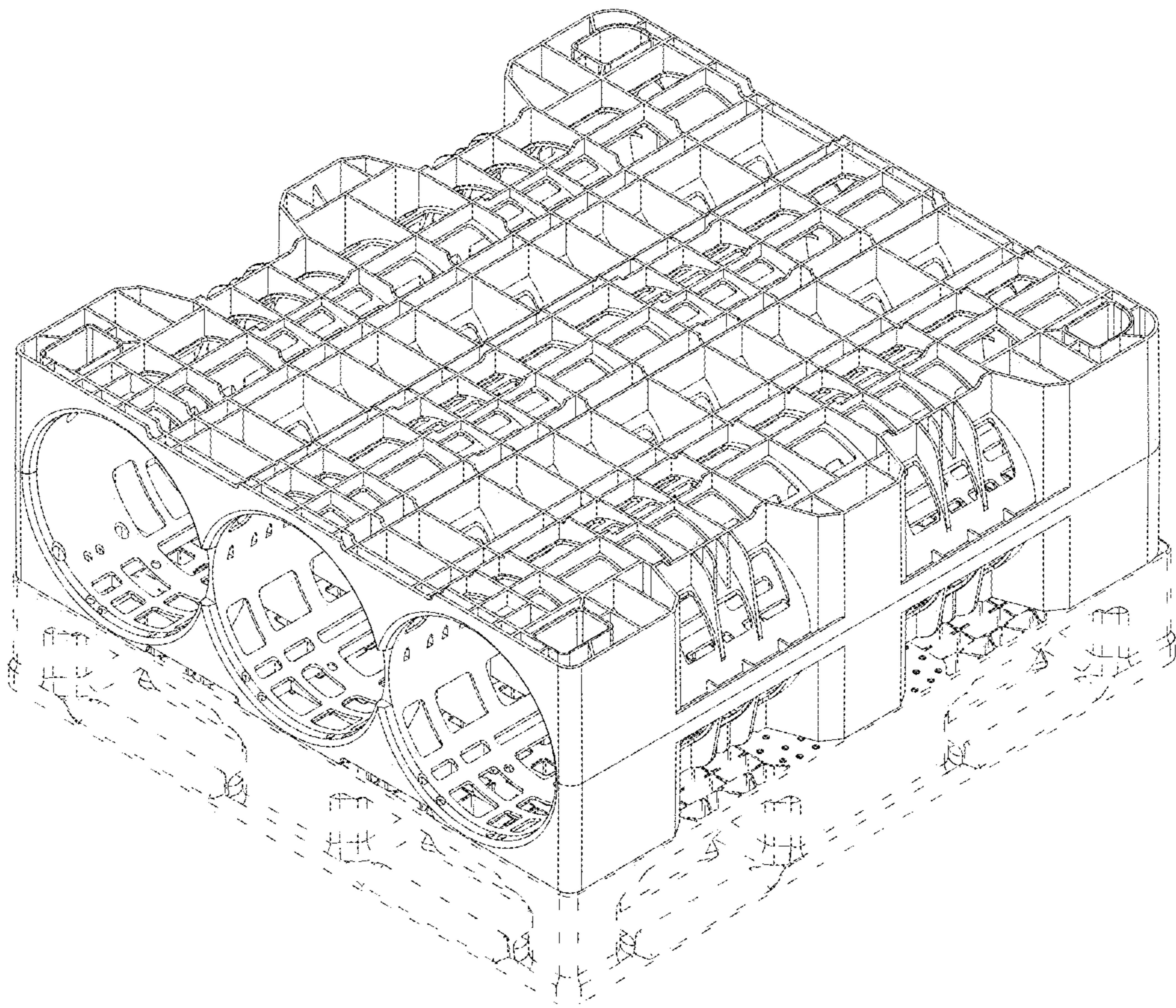


FIGURE 9

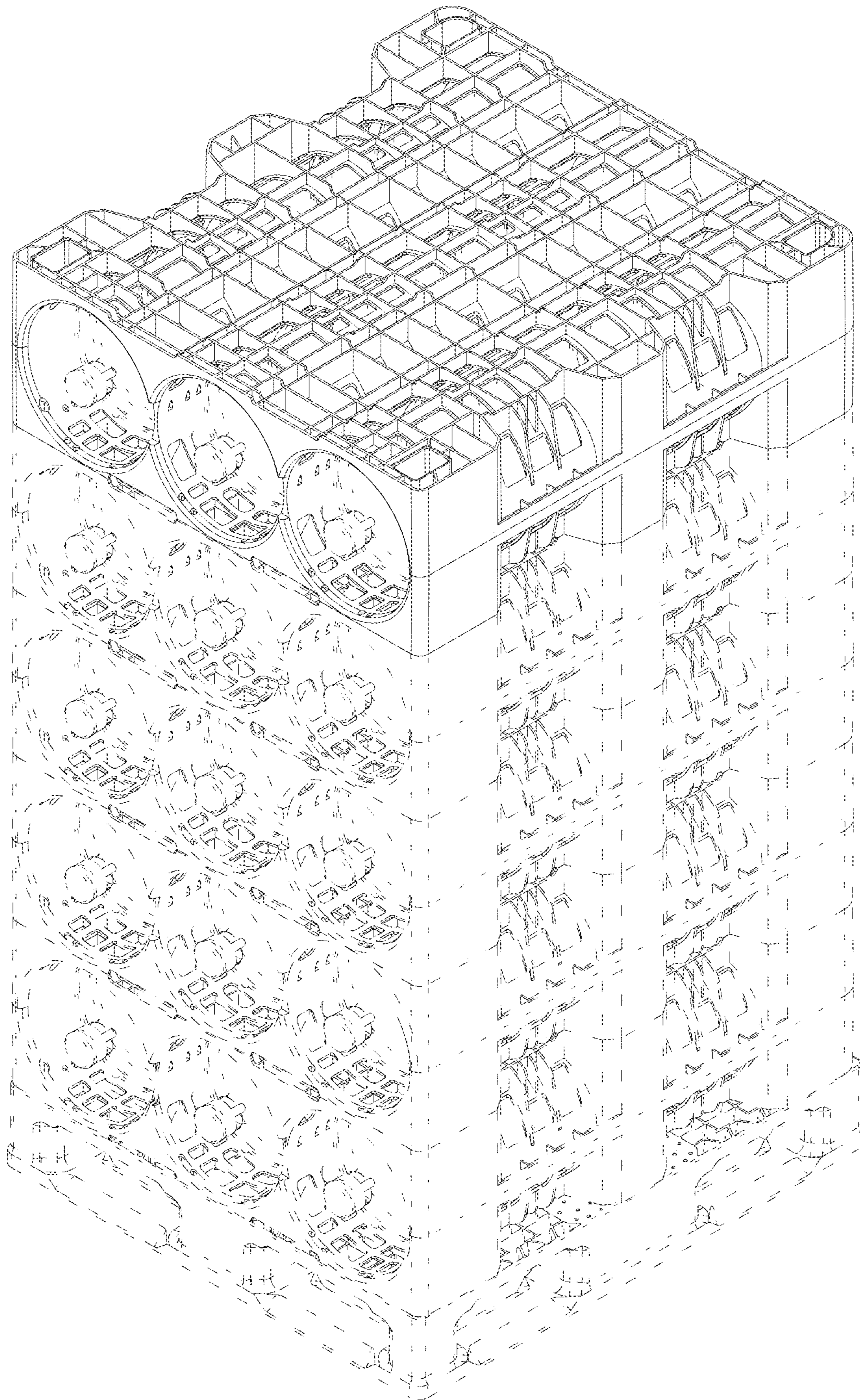


FIGURE 10