



US00D905371S

(12) **United States Design Patent** (10) **Patent No.:** **US D905,371 S**
Chen et al. (45) **Date of Patent:** **** Dec. 15, 2020**

(54) **FORKLIFT**
(71) Applicant: **BYD Company Limited**, Guangdong
OT (CN)
(72) Inventors: **Chan Chen**, Shenzhen (CN); **Rongzun
Zhao**, Shenzhen (CN); **Hongguang Lv**,
Shenzhen (CN); **Jifeng Han**, Shenzhen
(CN); **Zhigang Liu**, Shenzhen (CN)

(73) Assignee: **BYD COMPANY LIMITED**,
Shenzhen (CN)

(**) Term: **15 Years**

(21) Appl. No.: **29/660,863**

(22) Filed: **Aug. 23, 2018**

(30) **Foreign Application Priority Data**

Feb. 26, 2018 (CN) 2018 3 0074849

(51) **LOC (12) Cl.** **12-05**

(52) **U.S. Cl.**
USPC **D34/34**

(58) **Field of Classification Search**
USPC D34/28, 34
CPC B66F 9/06; B66F 9/24; B66F 9/12; B66F
9/0755; B66F 9/07572; B66F 17/003
See application file for complete search history.

(56) **References Cited**

U.S. PATENT DOCUMENTS

D384,476 S * 9/1997 Rick D34/34
D557,474 S * 12/2007 Kouyama D34/34

D606,274 S * 12/2009 Stark D34/34
D709,148 S * 7/2014 McDonald D21/698
D756,058 S * 5/2016 Kang D34/34
D771,345 S * 11/2016 Wen D34/34
D778,524 S * 2/2017 Kang D34/34
D782,770 S * 3/2017 Kang D34/34
D808,106 S * 1/2018 Wen D34/28
D808,107 S * 1/2018 Wen D34/28
D832,550 S * 10/2018 Lehmann D34/34

* cited by examiner

Primary Examiner — Cynthia Ramirez

(74) *Attorney, Agent, or Firm* — Calfee, Halter &
Griswold, LLP

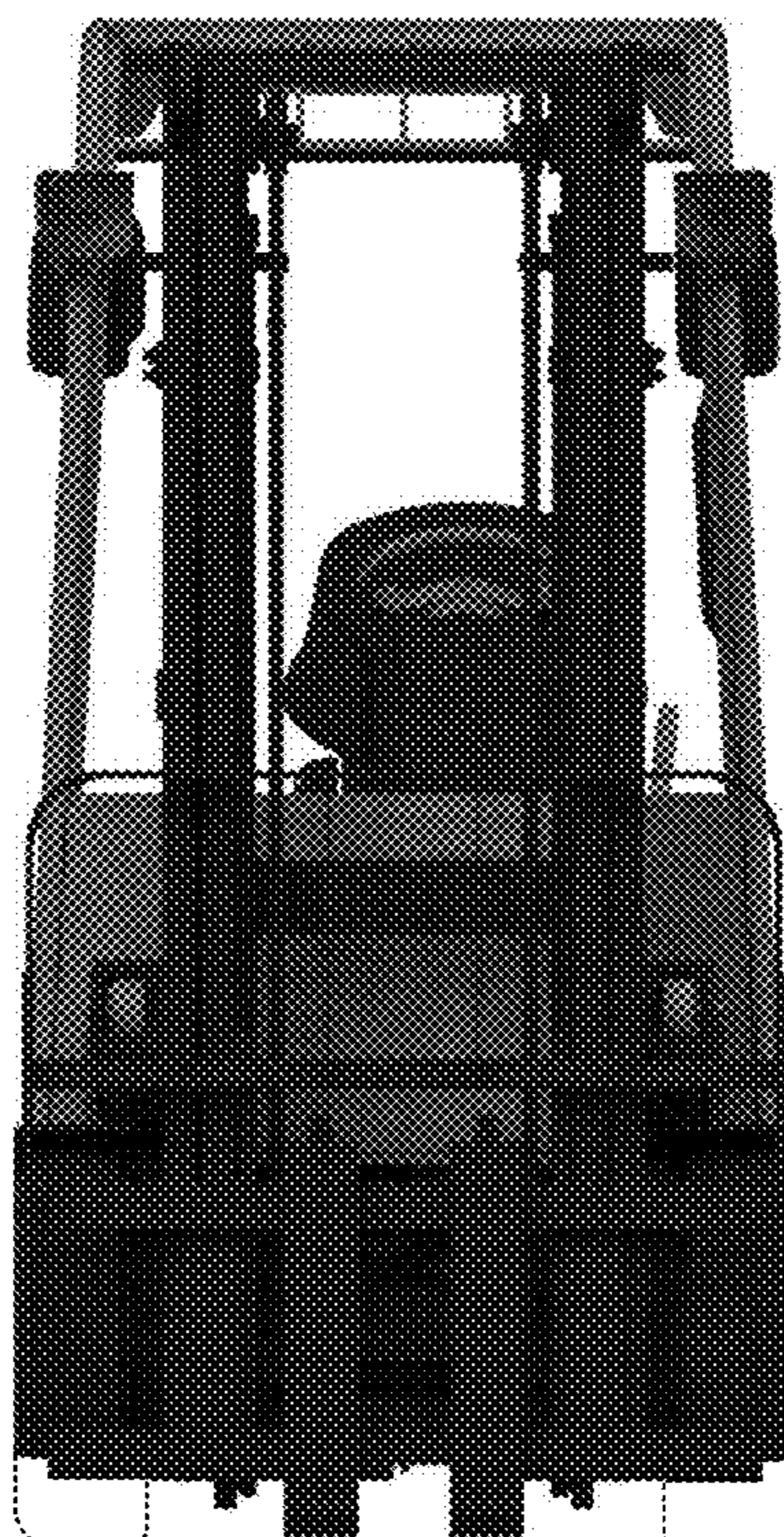
(57) **CLAIM**

We claim the ornamental design for a forklift, as shown and
described.

DESCRIPTION

FIG. 1 is a rendered drawing of a front elevational view of
a forklift of the present design;
FIG. 2 is a rear elevational view thereof;
FIG. 3 is a left side elevational view thereof;
FIG. 4 is a right side elevational view thereof;
FIG. 5 is a top plan view thereof;
FIG. 6 is a top, front, right perspective view thereof; and,
FIG. 7 is a top, rear, right perspective view thereof.
The broken line showing of wheels is for the purpose of
illustrating environmental structure and forms no part of the
claimed design.

1 Claim, 6 Drawing Sheets



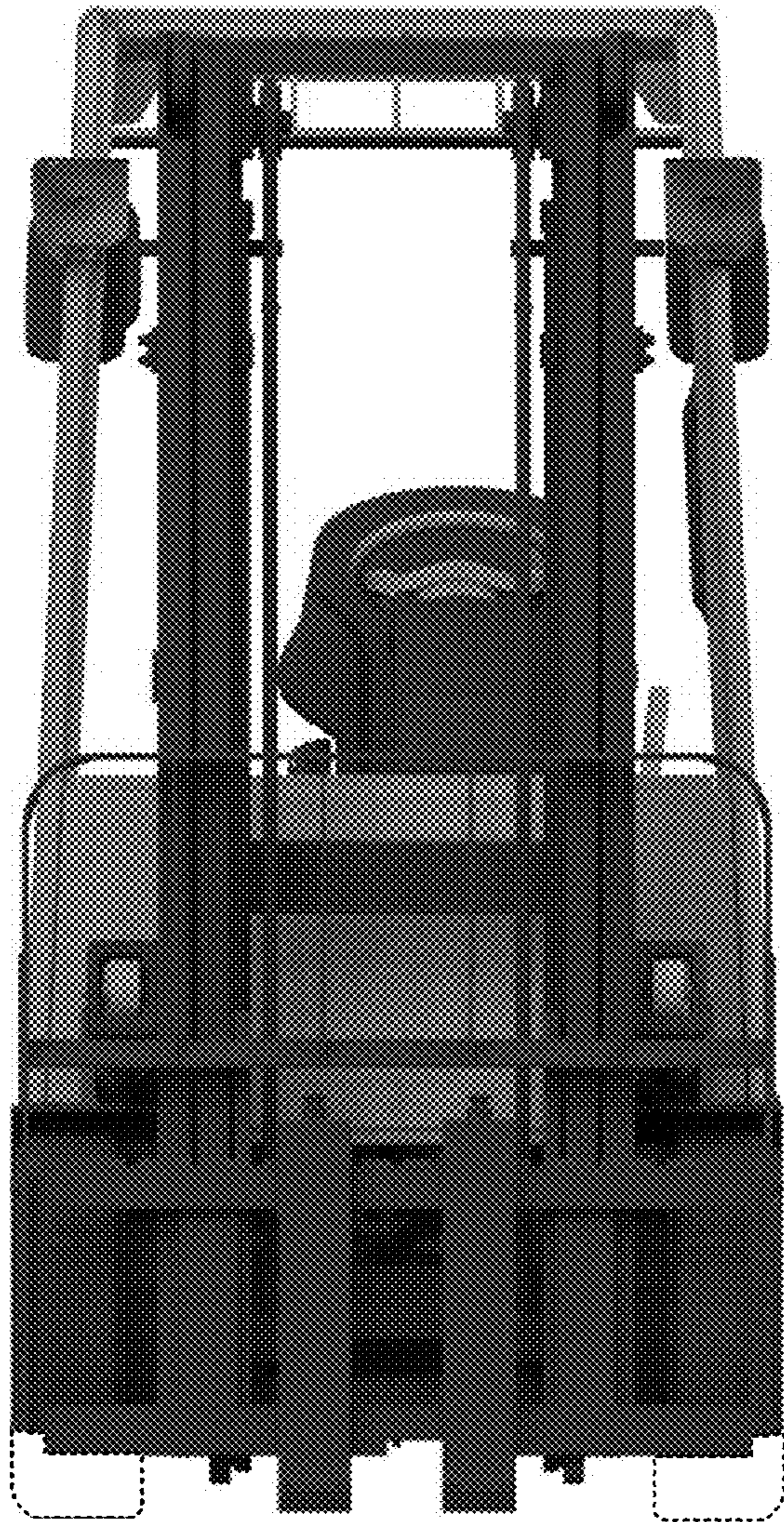


FIG. 1

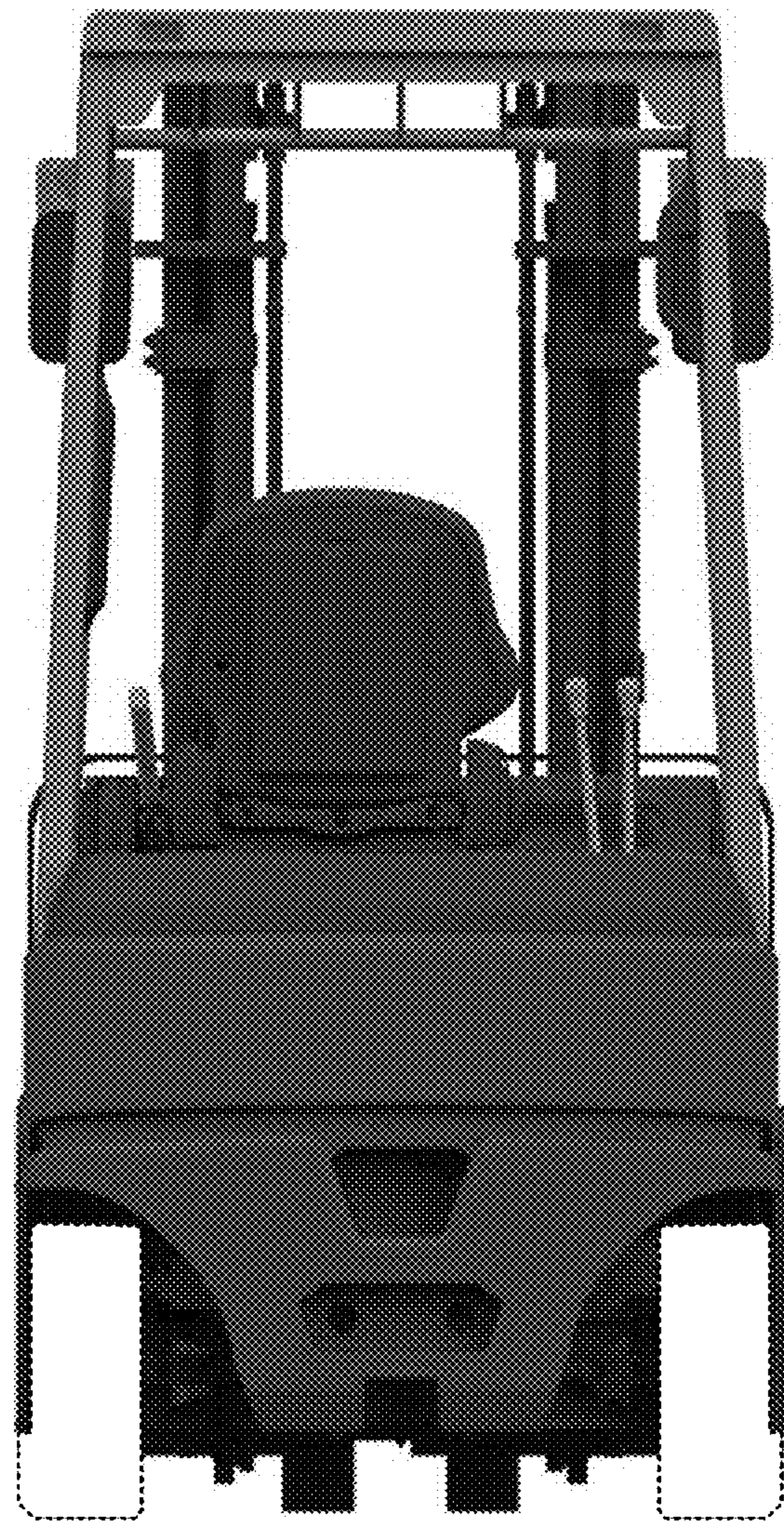


FIG. 2

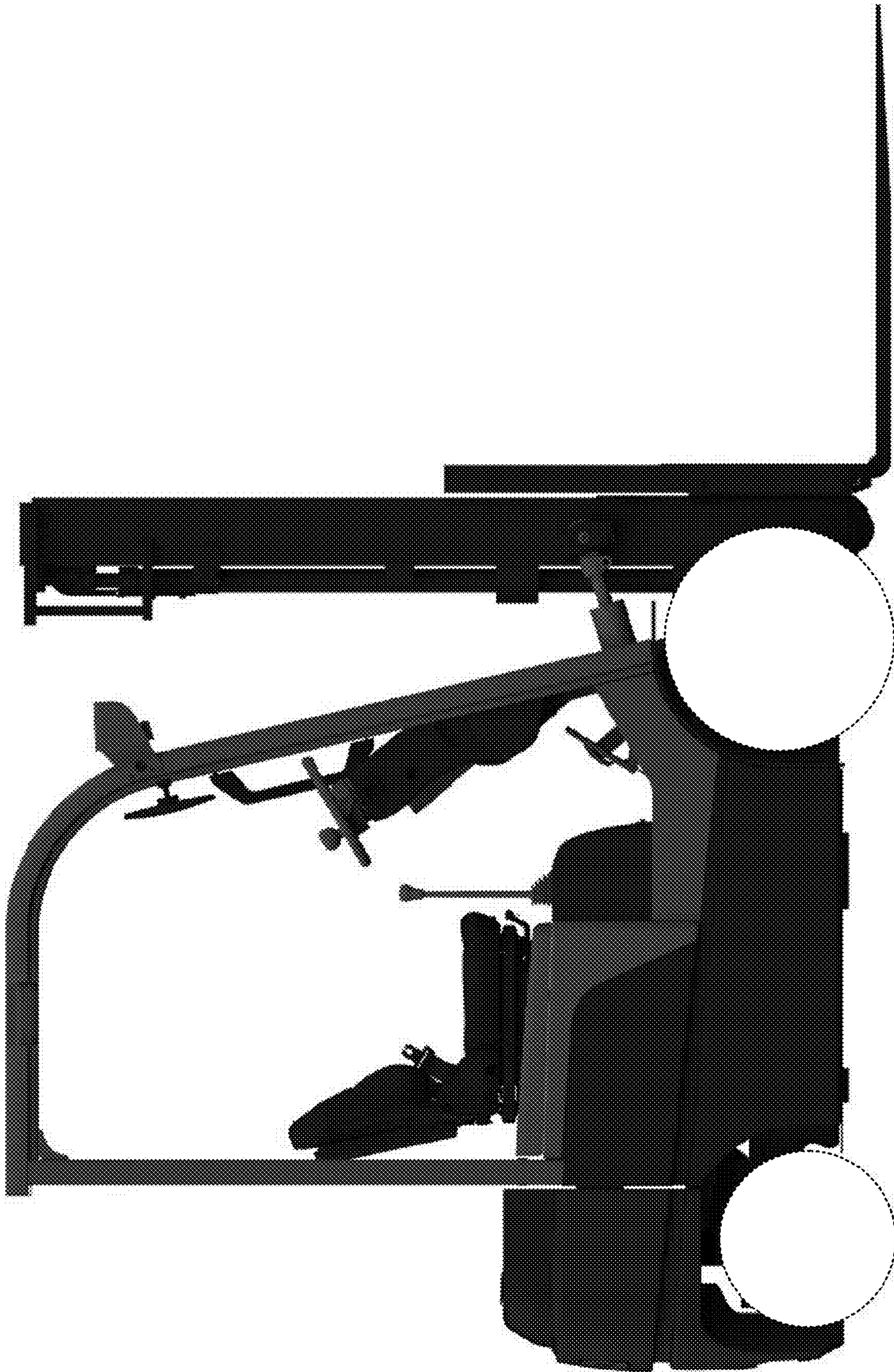


FIG. 3

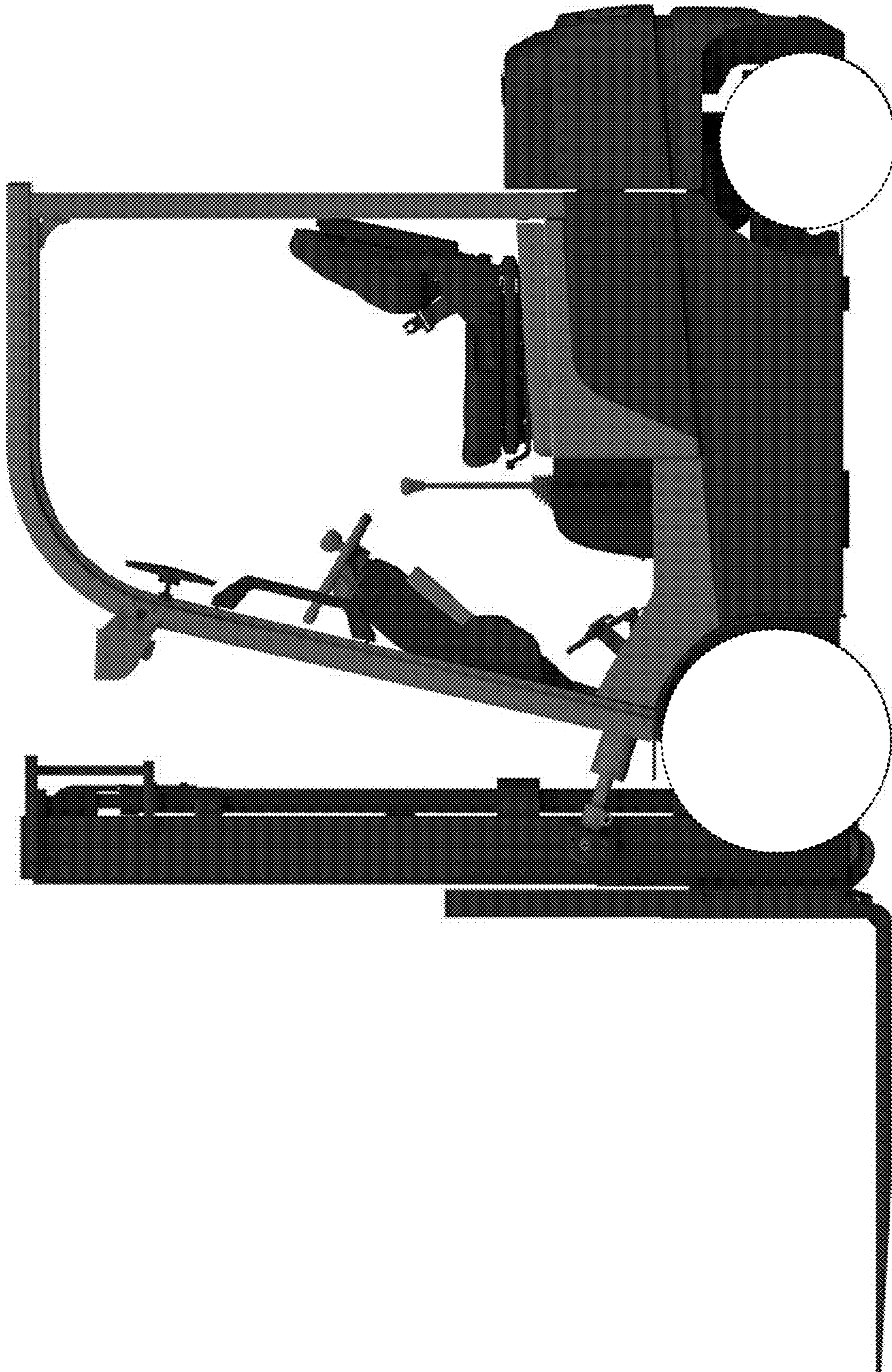


FIG. 4

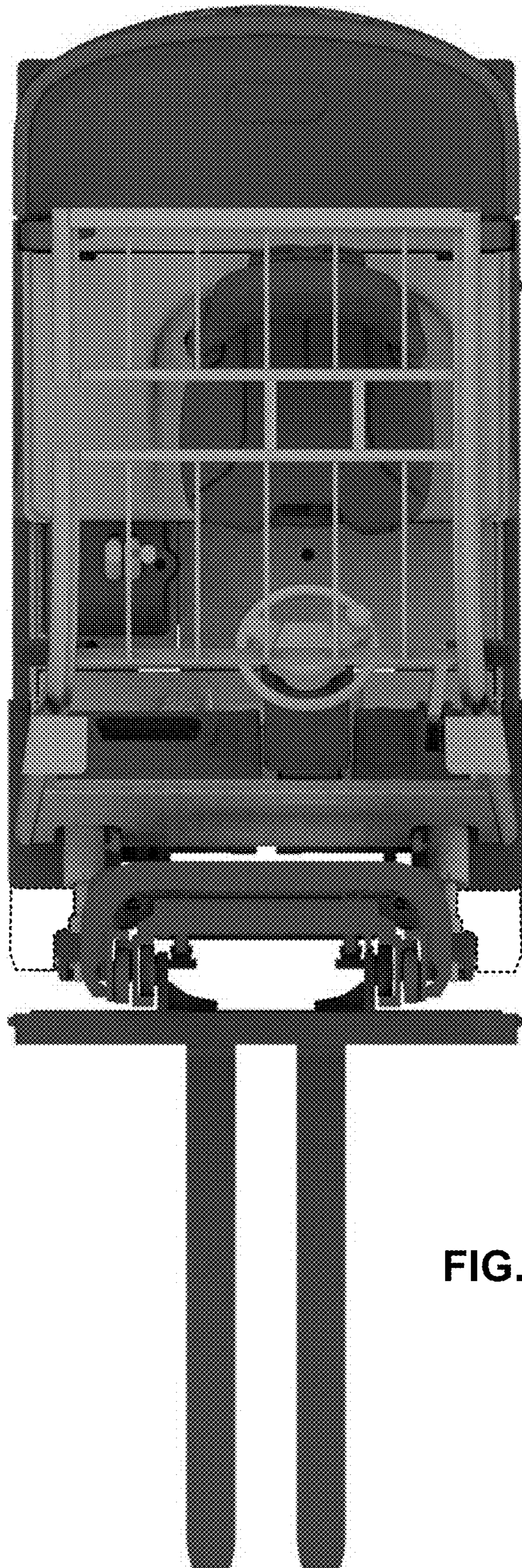


FIG. 5

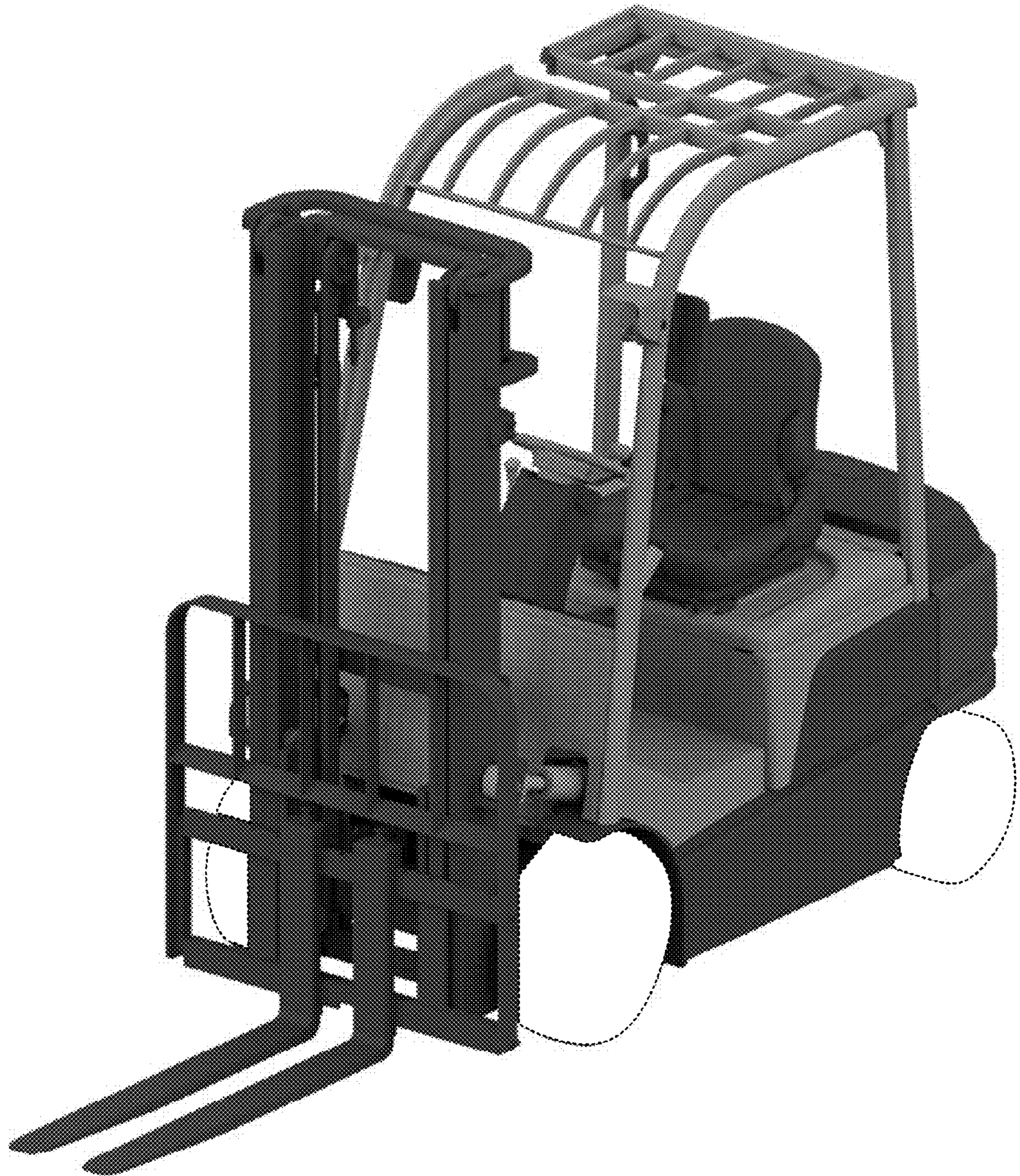


FIG. 6



FIG. 7