



US00D905370S

(12) **United States Design Patent** (10) **Patent No.:** **US D905,370 S**
Poirier et al. (45) **Date of Patent:** **** Dec. 15, 2020**

(54) **CART HANDLE**
(71) Applicant: **Target Brands, Inc.**, Minneapolis, MN (US)
(72) Inventors: **Travis M. Poirier**, Fridley, MN (US); **Alex K. Poniatowski**, Brooklyn Park, MN (US); **Terrence J. Hornsby, Jr.**, Minneapolis, MN (US)
(73) Assignee: **Target Brands, Inc.**, Minneapolis, MN (US)

D482,172 S * 11/2003 Johnson D34/27
7,036,725 B2 * 5/2006 Blaeuer G08B 13/1427
235/383
D538,999 S * 3/2007 Perrier D34/27
D539,000 S * 3/2007 Perrier D34/27
D539,001 S * 3/2007 Perrier D34/27
D539,500 S * 3/2007 Perrier D34/27
D539,501 S * 3/2007 Perrier D34/27
D540,002 S * 4/2007 Perrier D34/27
D543,000 S * 5/2007 Perrier D34/27
D543,674 S * 5/2007 Perrier D34/27
D546,020 S * 7/2007 Perrier D34/27
D547,520 S * 7/2007 Perrier D34/27

(Continued)

(**) Term: **15 Years**

FOREIGN PATENT DOCUMENTS

(21) Appl. No.: **29/679,535**
(22) Filed: **Feb. 7, 2019**
(51) **LOC (12) Cl.** **12-02**
(52) **U.S. Cl.**
USPC **D34/27**
(58) **Field of Classification Search**
USPC ... D34/1, 12, 13, 14, 17, 19, 20, 21, 22, 23,
D34/27; D25/136, 126, 122, 123, 121,
D25/199, 120, 125; D12/133
CPC ... B62B 3/1408; B62B 3/1416; B62B 3/1468;
B62B 3/1472; B60R 7/00
See application file for complete search history.

IN 257536-0001 * 7/2014

Primary Examiner — George A Bugg
Assistant Examiner — Tamara L Hahn
(74) *Attorney, Agent, or Firm* — Leanne Taveggia Farrell;
Westman, Champlin & Koehler, P.A.

(57) **CLAIM**

The ornamental design for a cart handle, as shown and described.

DESCRIPTION

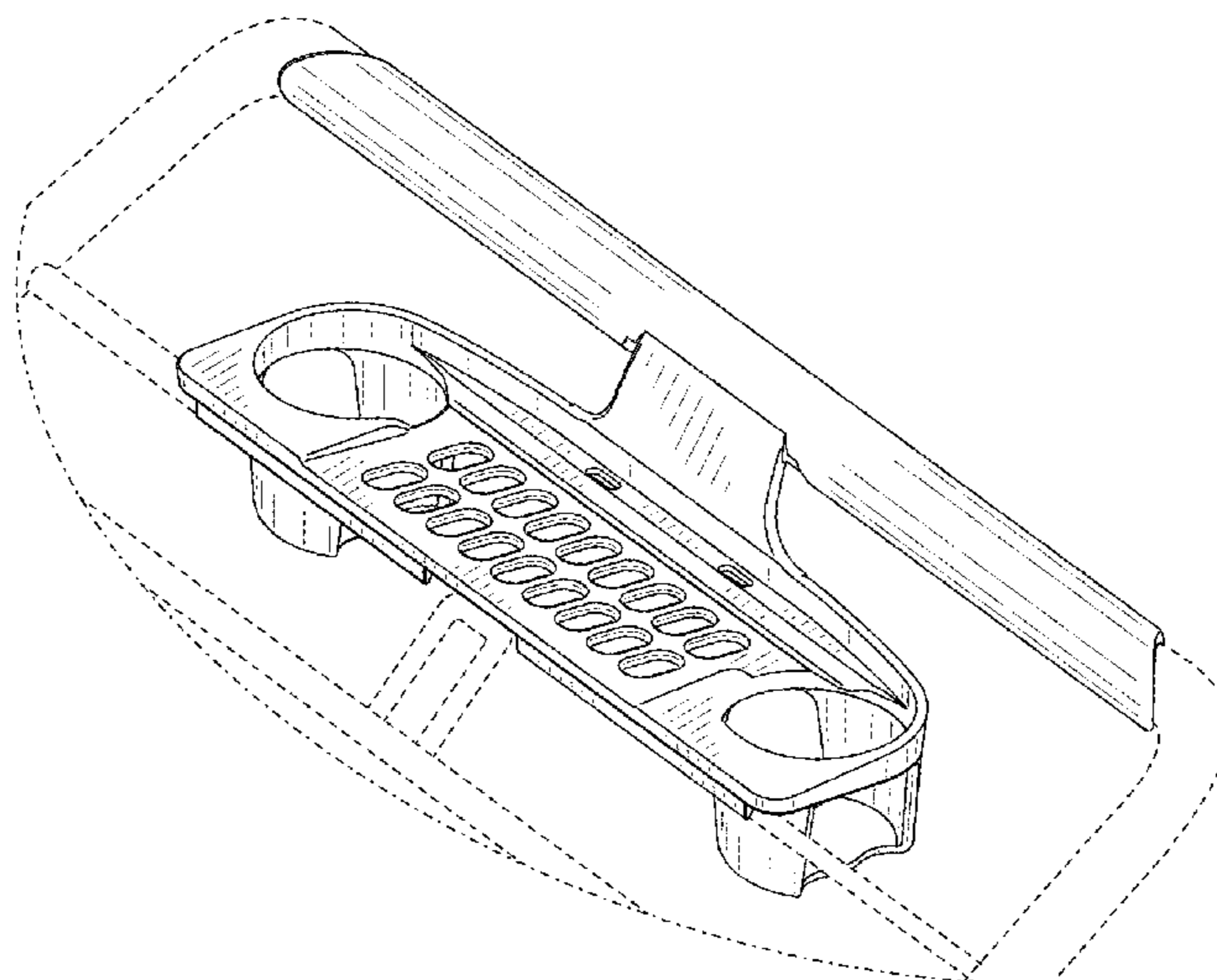
(56) **References Cited**

U.S. PATENT DOCUMENTS

3,251,543 A * 5/1966 Bush B62B 3/144
235/1 R
D272,486 S * 2/1984 Benedetti D12/419
D333,523 S * 2/1993 Gianino D24/229
5,494,306 A * 2/1996 Adamson B62B 3/1472
280/33.992
5,715,571 A * 2/1998 Fasano B62B 3/144
16/436
D435,196 S * 12/2000 Gregor D12/420
6,177,880 B1 * 1/2001 Begum B62B 3/1408
340/5.9
D458,092 S * 6/2002 Rumpf D6/574

FIG. 1 is a perspective view of a cart handle showing our new design in an environment of use;
FIG. 2 is a front view thereof;
FIG. 3 is a back view thereof;
FIG. 4 is a top view thereof; and,
FIG. 5 is a left side view thereof, the right side view being a mirror image.
The broken lines shown in FIG. 1 depicts environment and boundary lines that form no part of the claimed design. All other broken lines depict portions of the cart handle that form no part of the claimed design.

1 Claim, 3 Drawing Sheets



(56)

References Cited

U.S. PATENT DOCUMENTS

D547,521	S *	7/2007	Perrier	D34/27
D547,522	S *	7/2007	Perrier	D34/27
D547,923	S *	7/2007	Perrier	D34/27
D551,417	S *	9/2007	Perrier	D34/27
D551,418	S *	9/2007	Perrier	D34/27
D551,824	S *	9/2007	Perrier	D34/27
D552,324	S *	10/2007	Perrier	D34/27
D603,189	S *	11/2009	Raile	D6/682.2
7,895,777	B2 *	3/2011	Crum	B62B 5/06 40/308
8,245,894	B2 *	8/2012	Buehler	B62B 3/1472 224/411
D670,060	S *	10/2012	Sonnendorfer	D34/27
D670,061	S *	10/2012	Sonnendorfer	D34/27
D670,062	S *	10/2012	Sonnendorfer	D34/27
D670,063	S *	10/2012	Sonnendorfer	D34/27
D681,303	S *	4/2013	Sonnendorfer	D34/27
8,690,166	B2 *	4/2014	Peota	B62B 3/1472 280/33.992
8,870,044	B1 *	10/2014	Freese	B62J 11/00 224/558
9,004,332	B2 *	4/2015	Kodama	B60N 3/106 224/544
D805,855	S *	12/2017	Adams, IV	D7/620
D820,050	S *	6/2018	Bergin	D7/620
D824,736	S *	8/2018	Yang	D7/707
D826,658	S *	8/2018	Bergin	D7/701
D850,754	S *	6/2019	Peota	D34/27
D872,409	S *	1/2020	Chen	D34/27

* cited by examiner

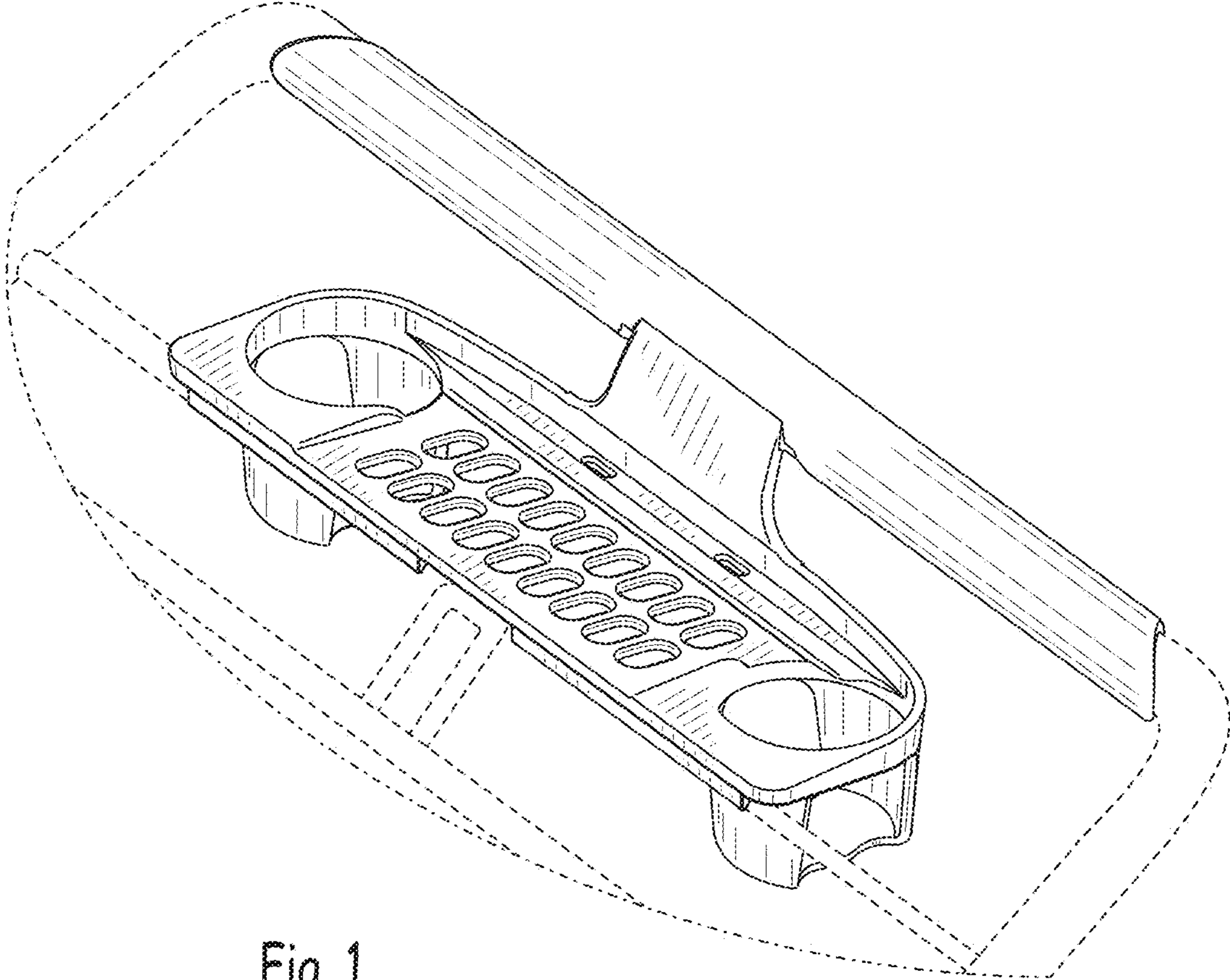


Fig. 1

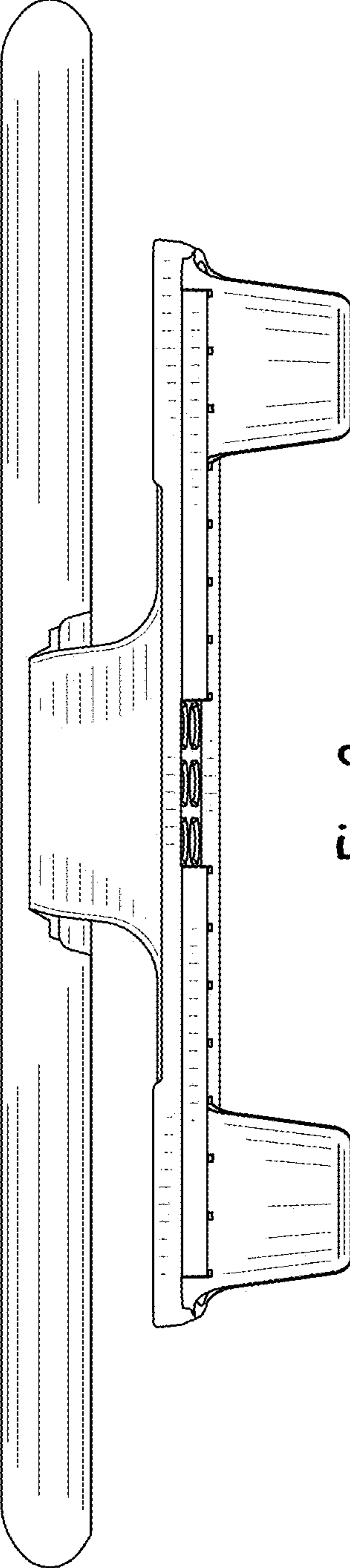


Fig. 2

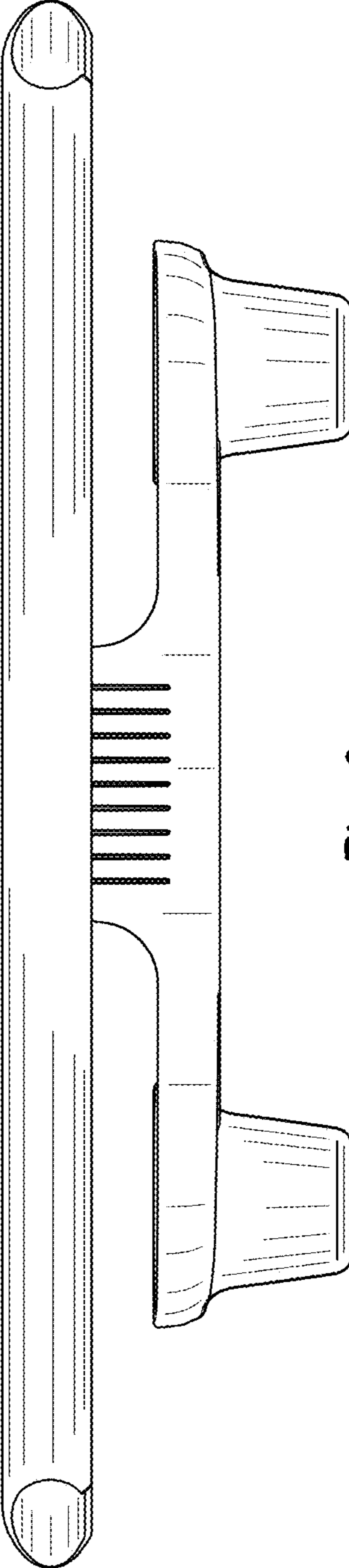


Fig. 3

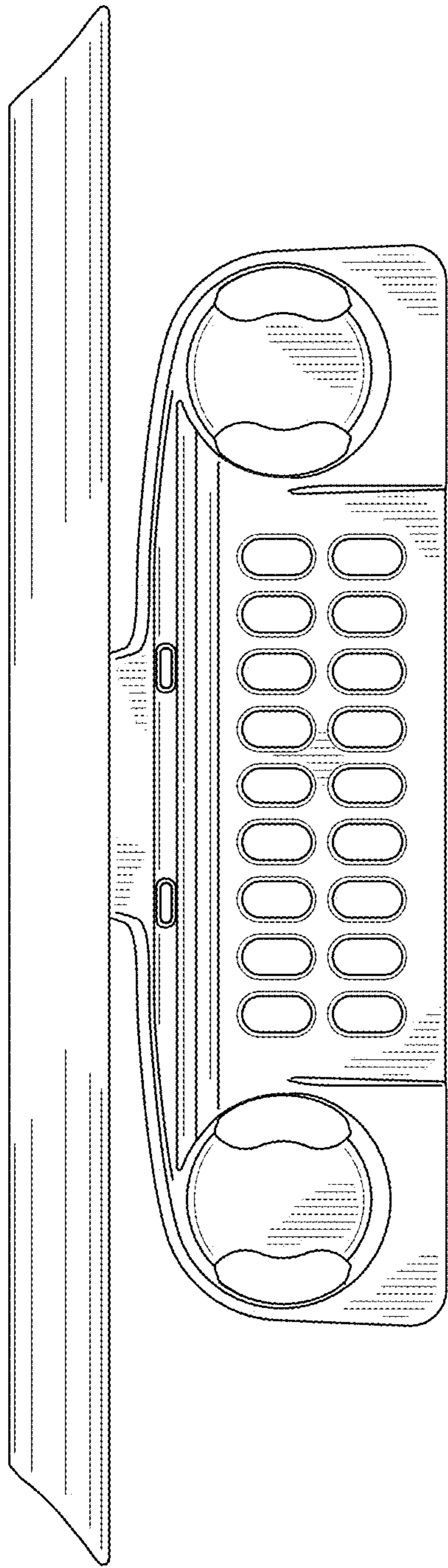


Fig. 4

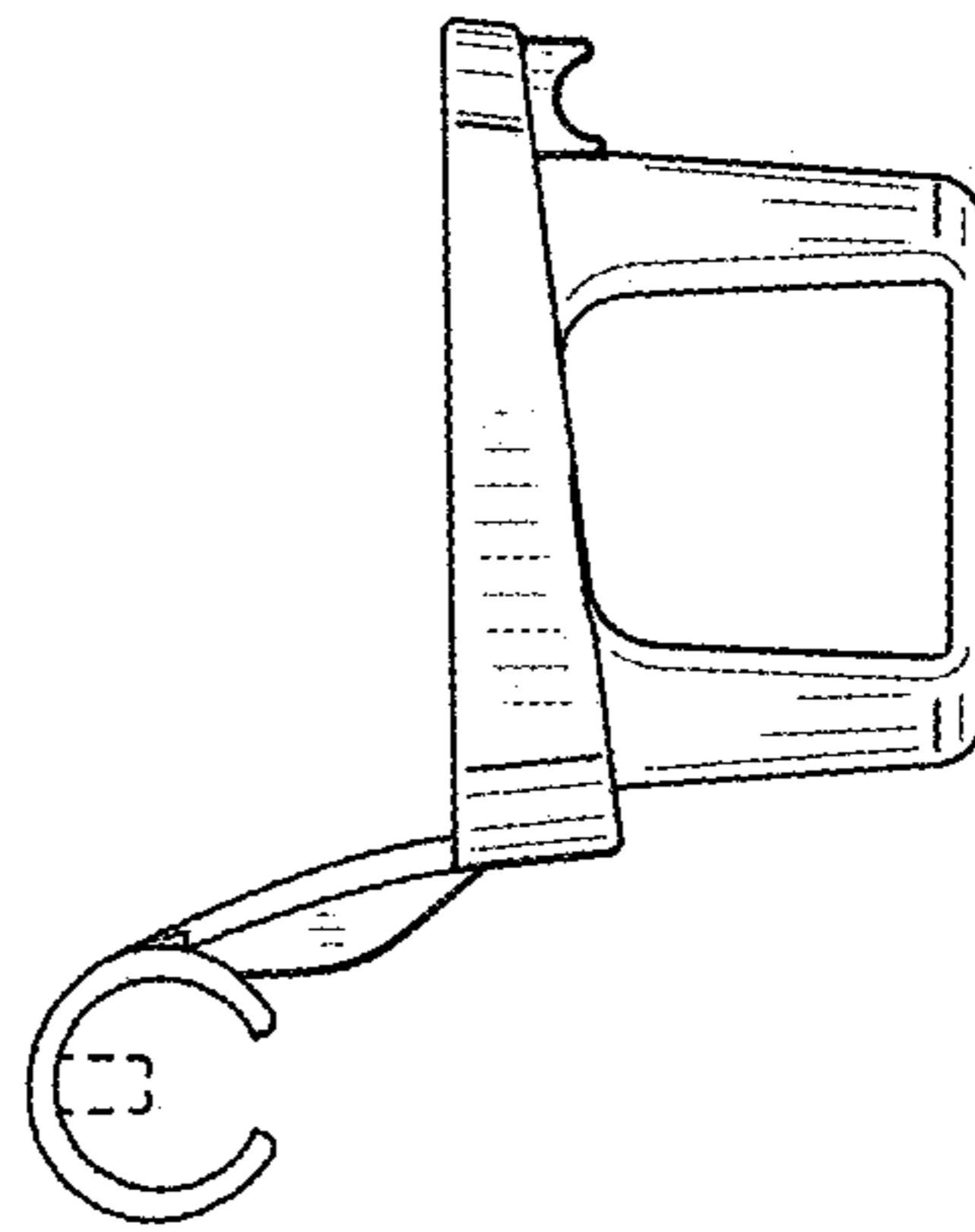


Fig. 5