



US00D905369S

(12) **United States Design Patent**
Herring et al.

(10) **Patent No.:** **US D905,369 S**

(45) **Date of Patent:** **** Dec. 15, 2020**

(54) **PUSH CART**

(71) Applicant: **Spindle 360, Inc.**, Georgetown, TX
(US)

(72) Inventors: **Jason Herring**, Georgetown, TX (US);
Shane Gilbreath, Georgetown, TX
(US)

(73) Assignee: **Spindle 360, Inc.**, Georgetown, TX
(US)

(**) Term: **15 Years**

(21) Appl. No.: **29/694,736**

(22) Filed: **Jun. 13, 2019**

(51) **LOC (12) Cl.** **12-05**

(52) **U.S. Cl.**
USPC **D34/26**

(58) **Field of Classification Search**
USPC D34/12, 14, 17, 24, 21, 26
CPC B62B 1/12; B62B 1/20; B62B 1/04; B62B
1/042; B62B 1/208; B62B 5/0438
See application file for complete search history.

(56) **References Cited**

U.S. PATENT DOCUMENTS

D331,303 S * 11/1992 Dunn D34/24
5,931,483 A * 8/1999 Haynes B62B 1/12
280/47.19

D473,989 S * 4/2003 Hittle D34/18
D480,527 S * 10/2003 Kollen D34/21
D787,147 S * 5/2017 Petrovich D34/17
D810,380 S * 2/2018 Sommerfield D34/21
D884,303 S * 5/2020 Petrovich D34/21
2002/0067027 A1* 6/2002 Anderson B62B 1/12
280/655
2014/0035262 A1* 2/2014 White B62B 5/067
280/651
2016/0200339 A1* 7/2016 Dhand B62B 1/266
280/651
2019/0168792 A1* 6/2019 Bacallao G07G 1/0081

* cited by examiner

Primary Examiner — Cynthia Ramirez

(74) *Attorney, Agent, or Firm* — Kevin Keener; Keener
and Associates, P.C.

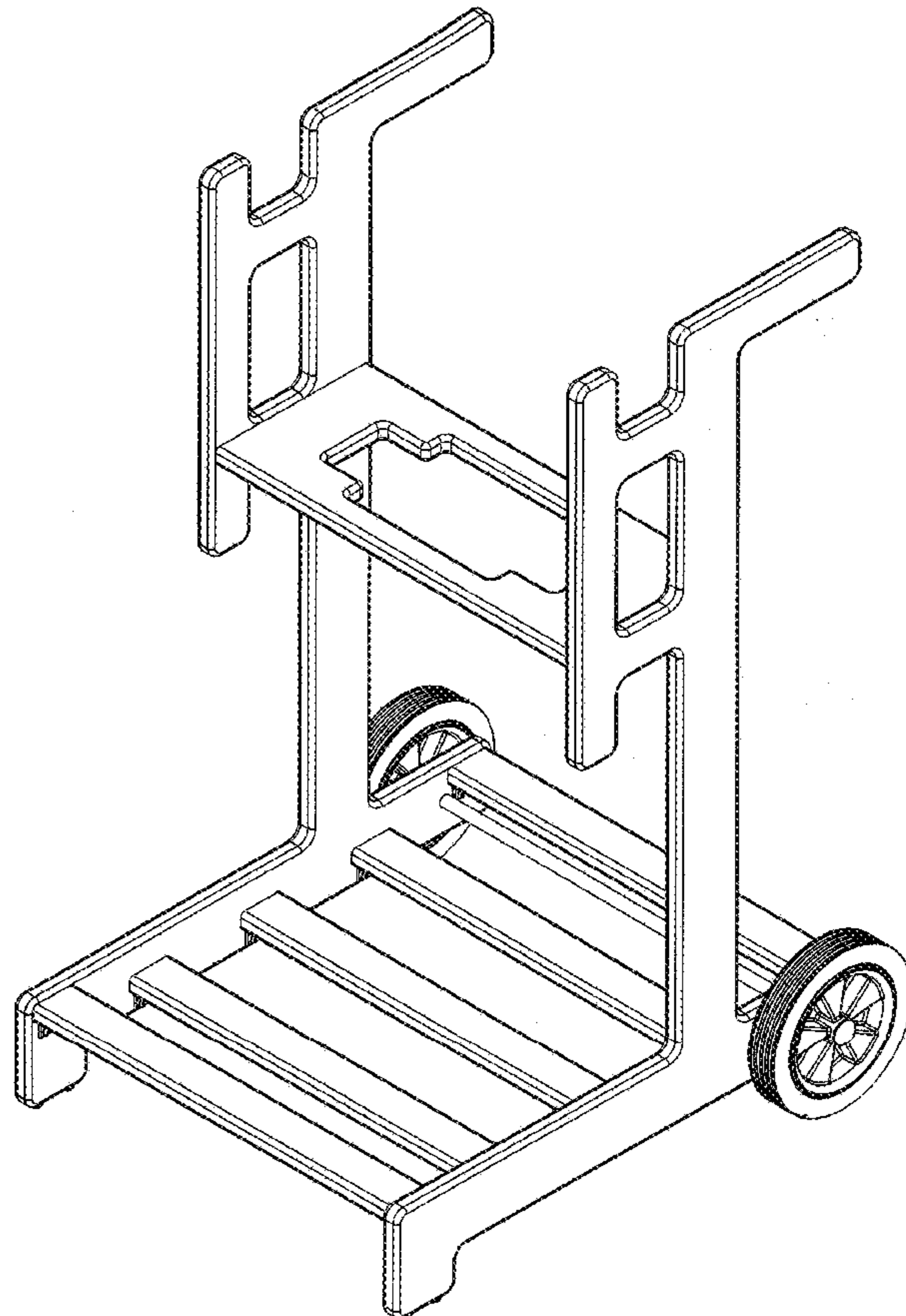
(57) **CLAIM**

The ornamental design for a push cart, as shown and
described.

DESCRIPTION

FIG. 1 is a top perspective view of a push cart;
FIG. 2 is a front view thereof;
FIG. 3 is a bottom view thereof;
FIG. 4 is a side view thereof; and,
FIG. 5 is a top view thereof.

1 Claim, 5 Drawing Sheets



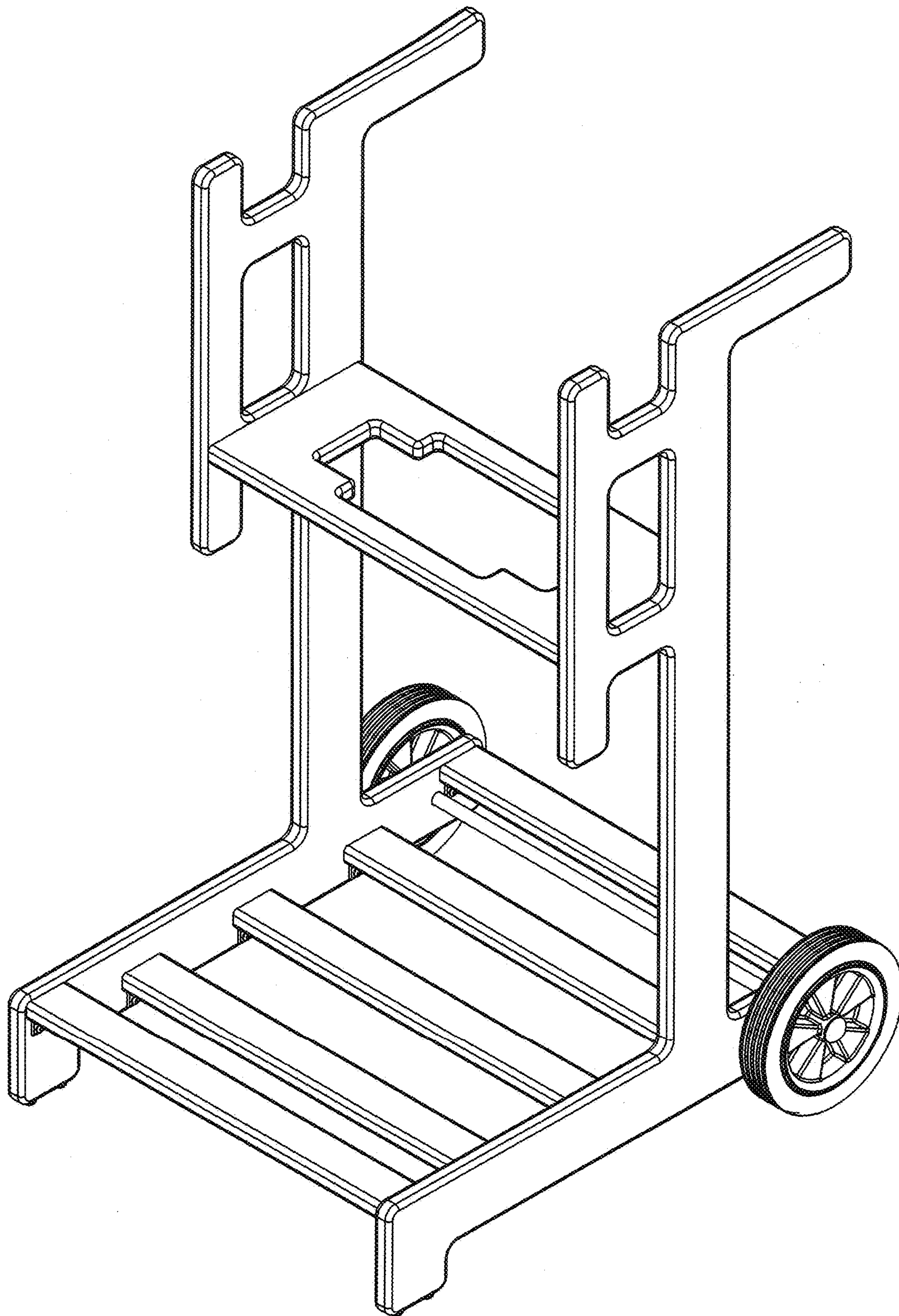


FIG. 1

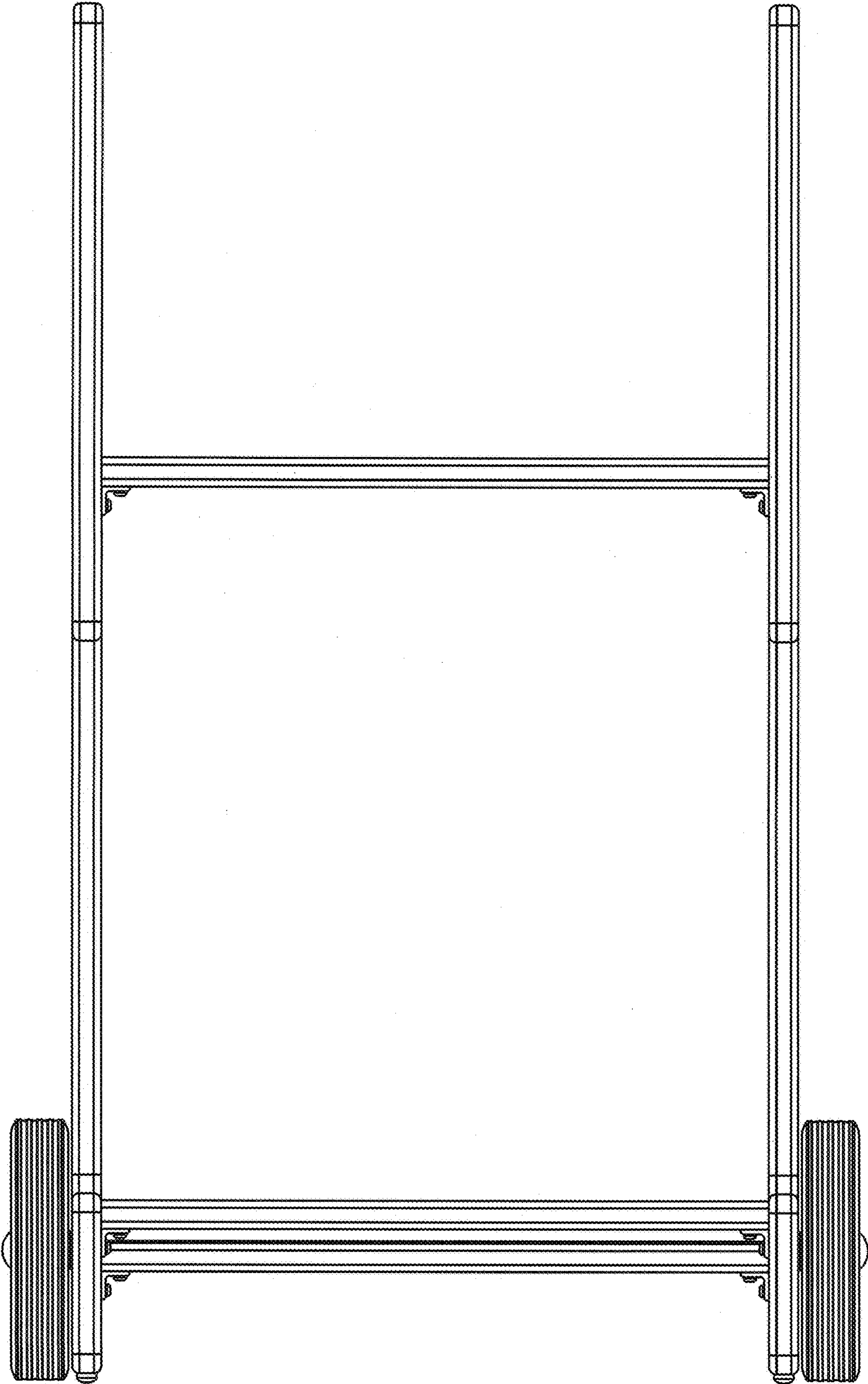


FIG. 2

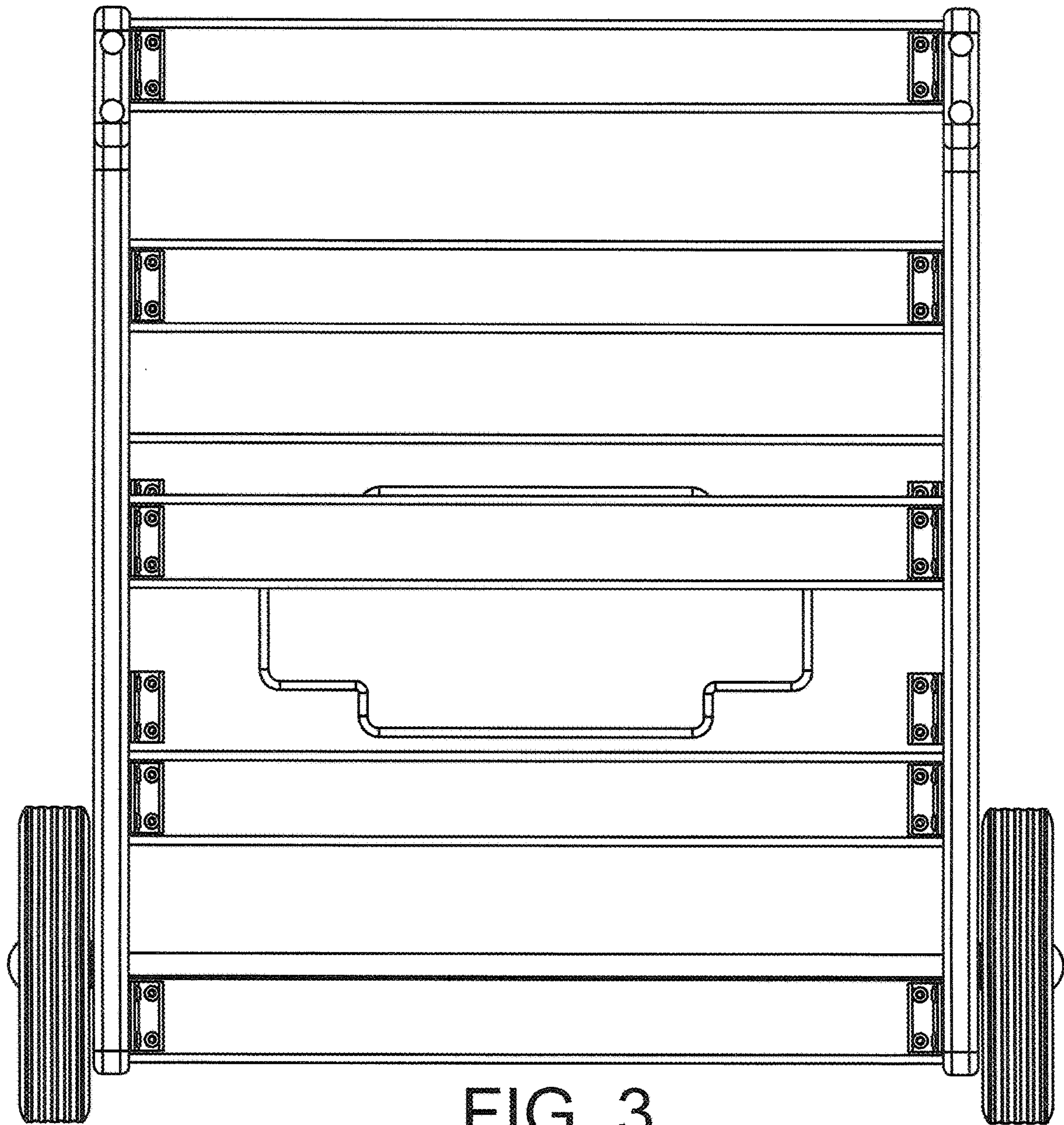


FIG. 3

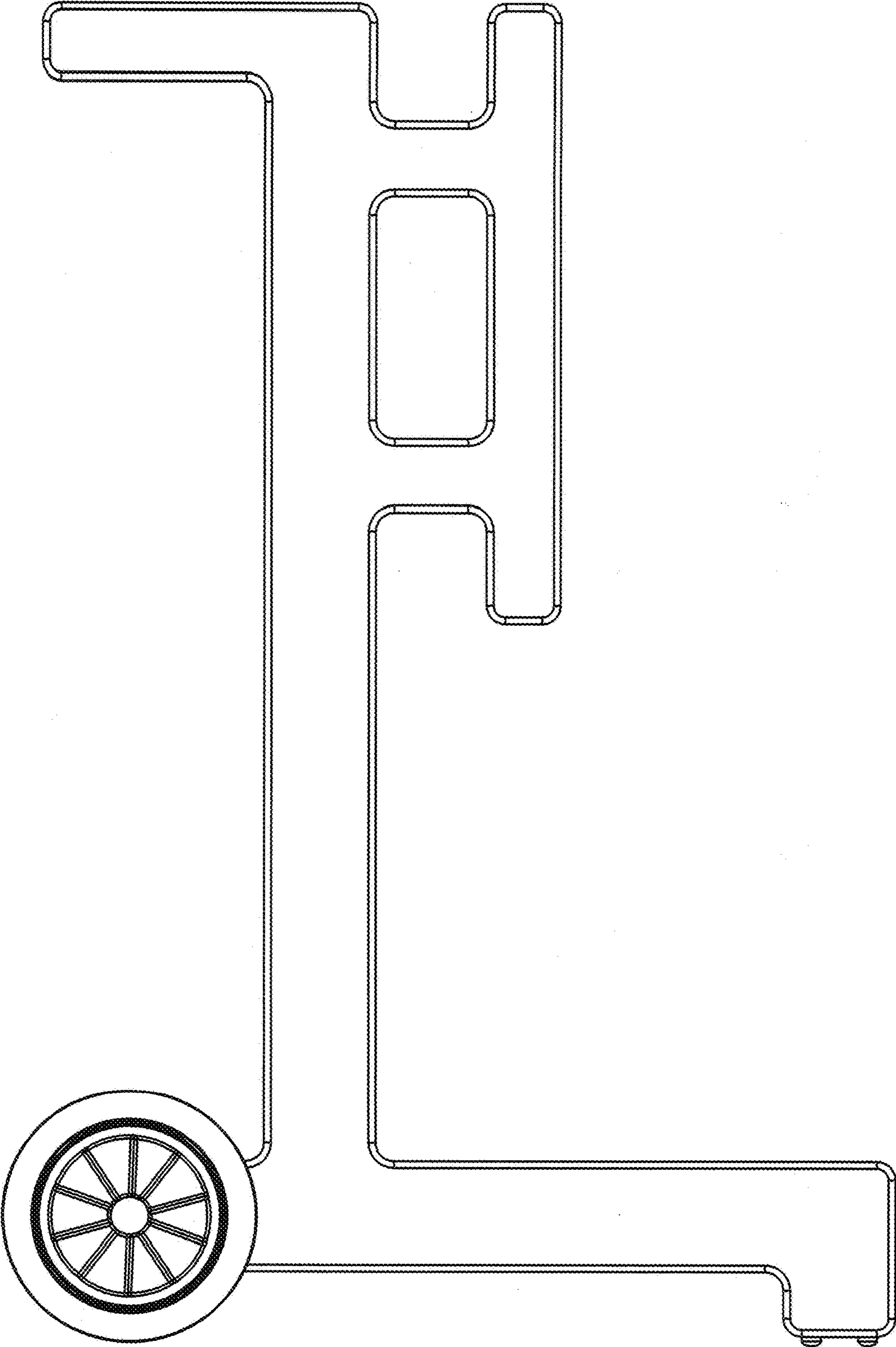


FIG. 4

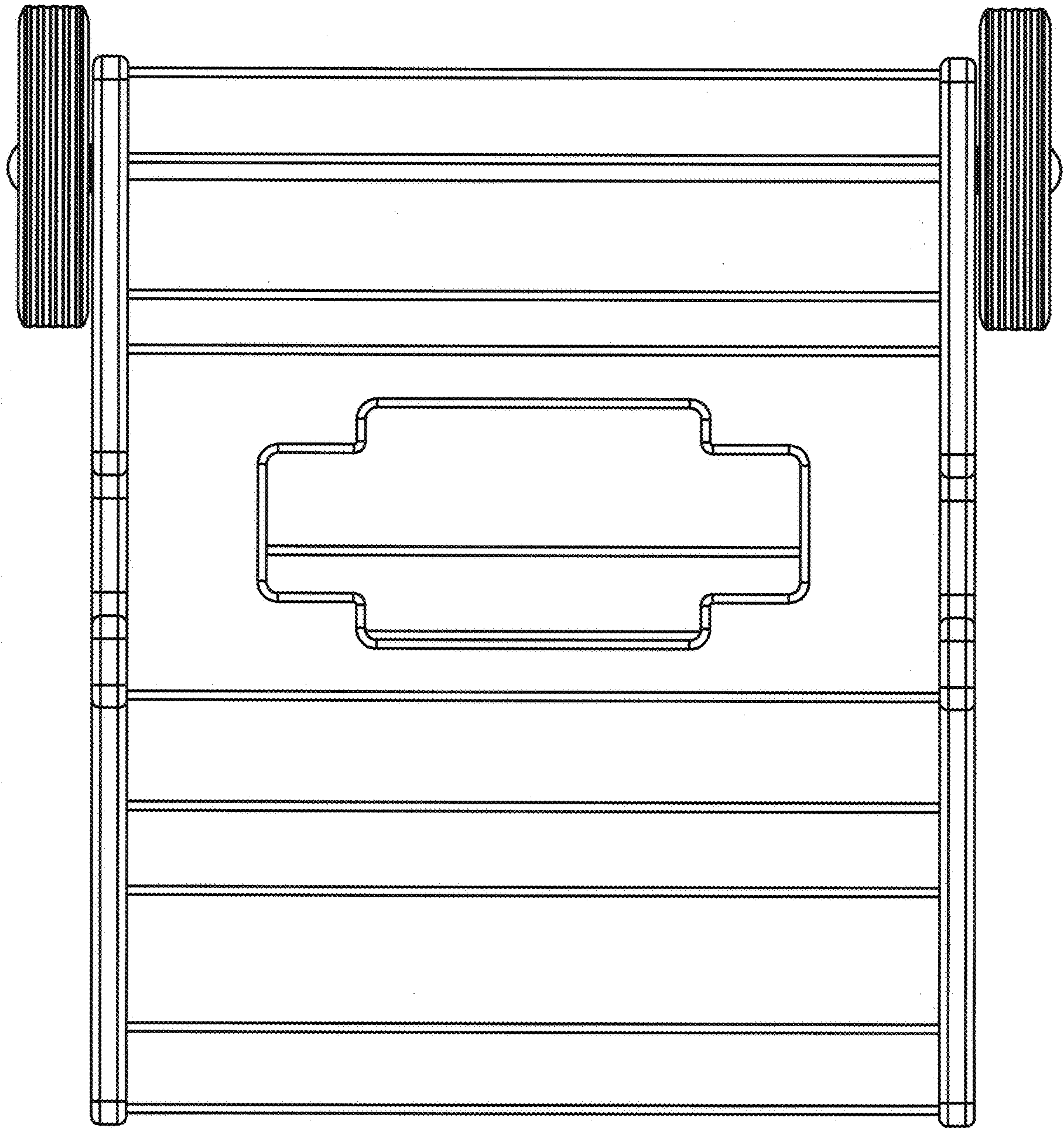


FIG. 5