



US00D905366S

(12) **United States Design Patent** (10) **Patent No.:** **US D905,366 S**
Hagee et al. (45) **Date of Patent:** **** Dec. 15, 2020**

- (54) **HANDLE FOR HOLDING A CLEANING DEVICE**
- (71) Applicant: **The Procter & Gamble Company**, Cincinnati, OH (US)
- (72) Inventors: **Richard Christopher Hagee**, Cincinnati, OH (US); **Glenn Allen Bradbury**, Mason, OH (US)
- (73) Assignee: **The Procter & Gamble Company**, Cincinnati, OH (US)
- (**) Term: **15 Years**
- (21) Appl. No.: **29/632,143**
- (22) Filed: **Jan. 5, 2018**
- (51) **LOC (12) Cl.** **07-05**
- (52) **U.S. Cl.**
USPC **D32/52**
- (58) **Field of Classification Search**
USPC D32/40, 46, 50, 52; D4/138; D8/80, 94, D8/97

(Continued)

(56) **References Cited**

U.S. PATENT DOCUMENTS

- D572,873 S * 7/2008 Hoadley D32/52
- D579,614 S * 10/2008 Tanaka D32/48

(Continued)

Primary Examiner — Michelle E. Wilson

(74) *Attorney, Agent, or Firm* — John T. Dipre

(57) **CLAIM**

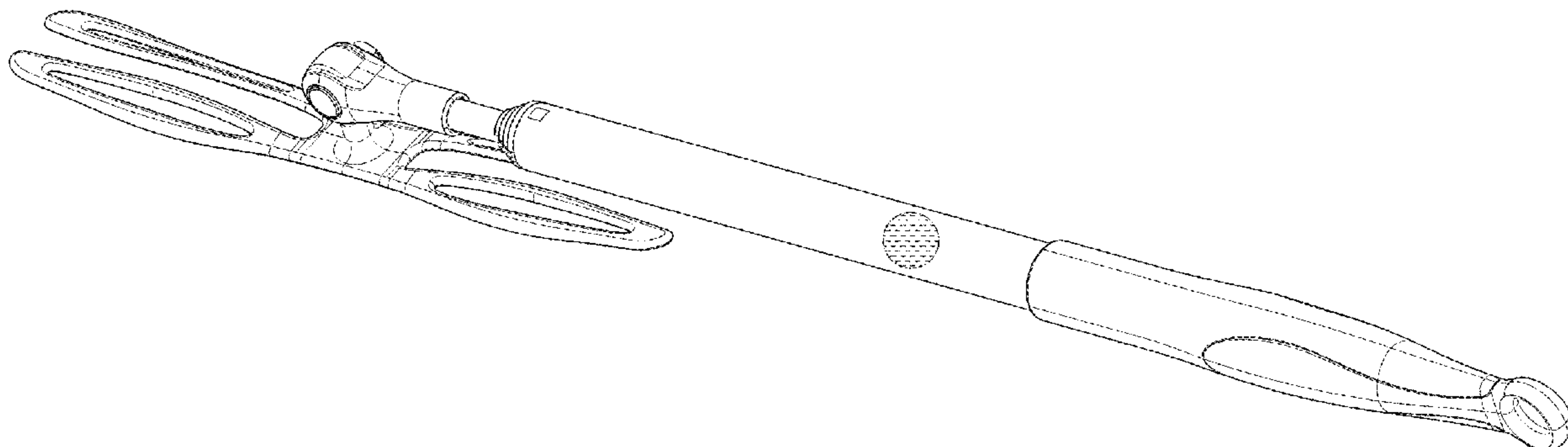
The ornamental design for a handle for holding a cleaning device, as shown and described.

DESCRIPTION

FIG. 1 is a first perspective view of one embodiment of a handle for holding a cleaning device according to the present invention in a retracted position.

FIG. 2 is a second perspective view thereof.
 FIG. 3 is top view thereof.
 FIG. 4 is a side view thereof, the opposite side being a mirror image thereof.
 FIG. 5 is bottom view thereof.
 The cross hatch in FIGS. 1-5 represents a silver color for the entire surface of the handle.
 The front view and rear view form no part of the claimed embodiment.
 FIG. 6 is a first perspective view of one embodiment of a handle for holding a cleaning device according to the present invention in a retracted position.
 FIG. 7 is a second perspective view thereof.
 FIG. 8 is top view thereof.
 FIG. 9 is a side view thereof, the opposite side being a mirror image thereof.
 FIG. 10 is bottom view thereof.
 The cross hatch in FIGS. 6-10 represents a black color for the entire surface of the handle.
 The front view and rear view form no part of the claimed embodiment.
 FIG. 11 is a first perspective view of one embodiment of a handle for holding a cleaning device according to the present invention in an extended position.
 FIG. 12 is a second perspective view thereof.
 FIG. 13 is top view thereof.
 FIG. 14 is a side view thereof, the opposite side being a mirror image thereof.
 FIG. 15 is bottom view thereof.
 The stippling in FIGS. 11-15 represents a silver color for the entire surface of that handle section.
 The front view and rear view form no part of the claimed embodiment.
 FIG. 16 is a first perspective view of one embodiment of a handle for holding a cleaning device according to the present invention in an extended position.
 FIG. 17 is a second perspective view thereof.
 FIG. 18 is top view thereof.
 FIG. 19 is a side view thereof, the opposite side being a mirror image thereof; and,
 FIG. 20 is bottom view thereof.
 The stippling in FIGS. 16-20 represents a black color for the entire surface of that handle section.

(Continued)



The front view and rear view form no part of the claimed embodiment.

1 Claim, 8 Drawing Sheets

(58) Field of Classification Search

CPC A47L 13/38; A47L 13/46; B25G 3/24
See application file for complete search history.

(56) References Cited

U.S. PATENT DOCUMENTS

| | | | | | |
|--------------|------|---------|-----------|-------|-------------|
| D579,615 | S * | 10/2008 | Ames | | D32/52 |
| D608,965 | S * | 1/2010 | Tanaka | | D32/40 |
| D609,871 | S * | 2/2010 | Zach | | D32/35 |
| D613,014 | S * | 3/2010 | Hoadley | | D32/52 |
| 8,156,603 | B2 * | 4/2012 | Tsutanaga | | A47L 13/38 |
| | | | | | 15/144.4 |
| D674,979 | S * | 1/2013 | Girardot | | D32/35 |
| D685,151 | S * | 6/2013 | Schuller | | D32/35 |
| D686,792 | S * | 7/2013 | Williams | | D32/51 |
| 2005/0172440 | A1 * | 8/2005 | Lin | | A47L 13/16 |
| | | | | | 15/226 |
| 2006/0137116 | A1 * | 6/2006 | Tsuchiya | | A01N 25/34 |
| | | | | | 15/1.52 |
| 2006/0260082 | A1 * | 11/2006 | Bonilla | | A47L 13/38 |
| | | | | | 15/229.3 |
| 2007/0180640 | A1 * | 8/2007 | Knopow | | A46B 5/0025 |
| | | | | | 15/210.1 |
| 2008/0235891 | A1 * | 10/2008 | Tsuchiya | | A47L 13/38 |
| | | | | | 15/209.1 |

* cited by examiner

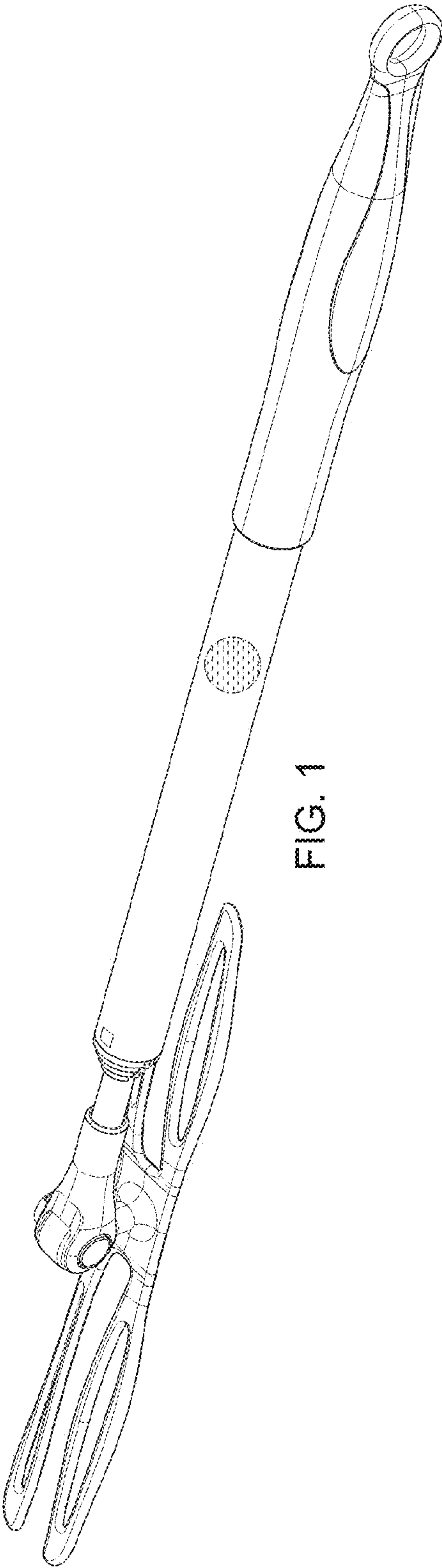


FIG. 1

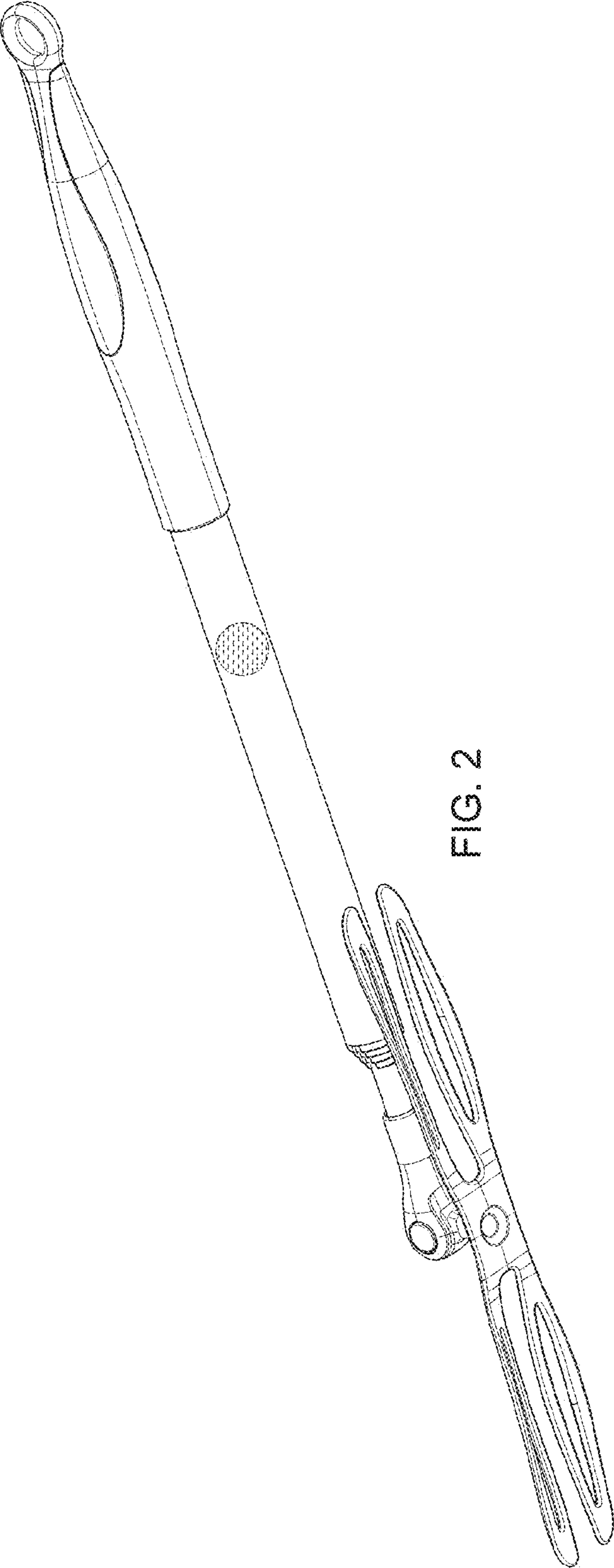


FIG. 2

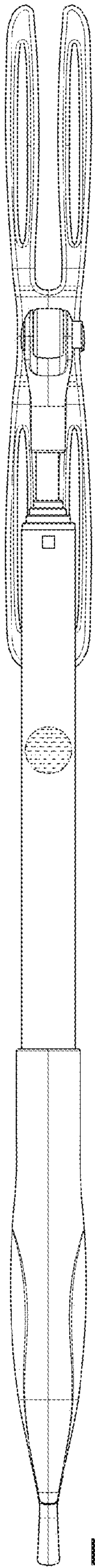


FIG. 3

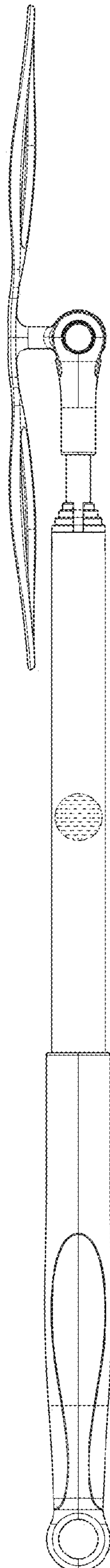


FIG. 4



FIG. 5

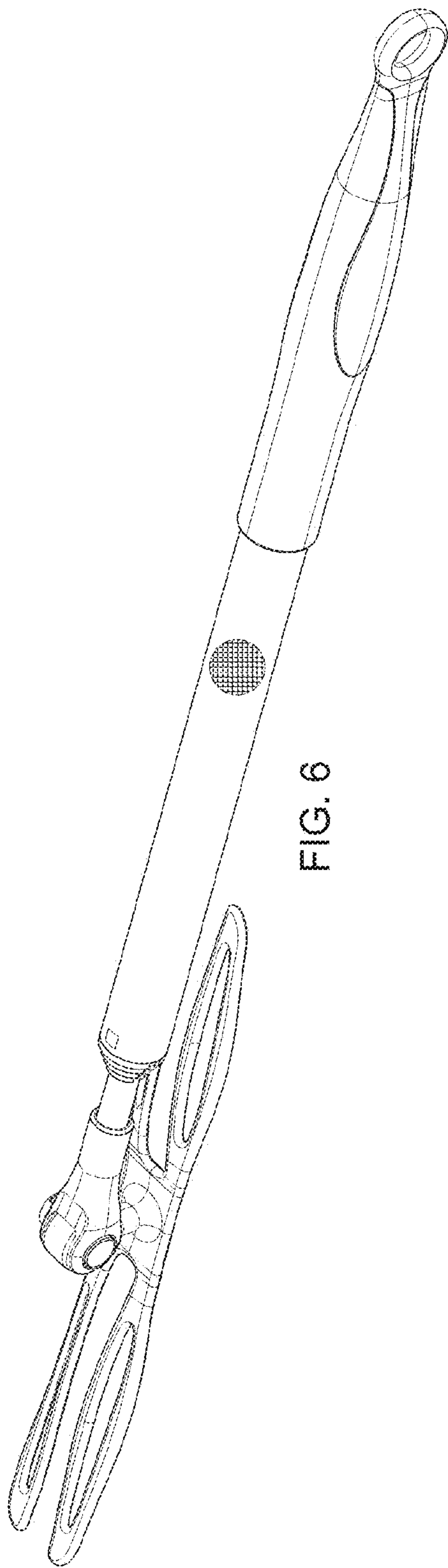


FIG. 6

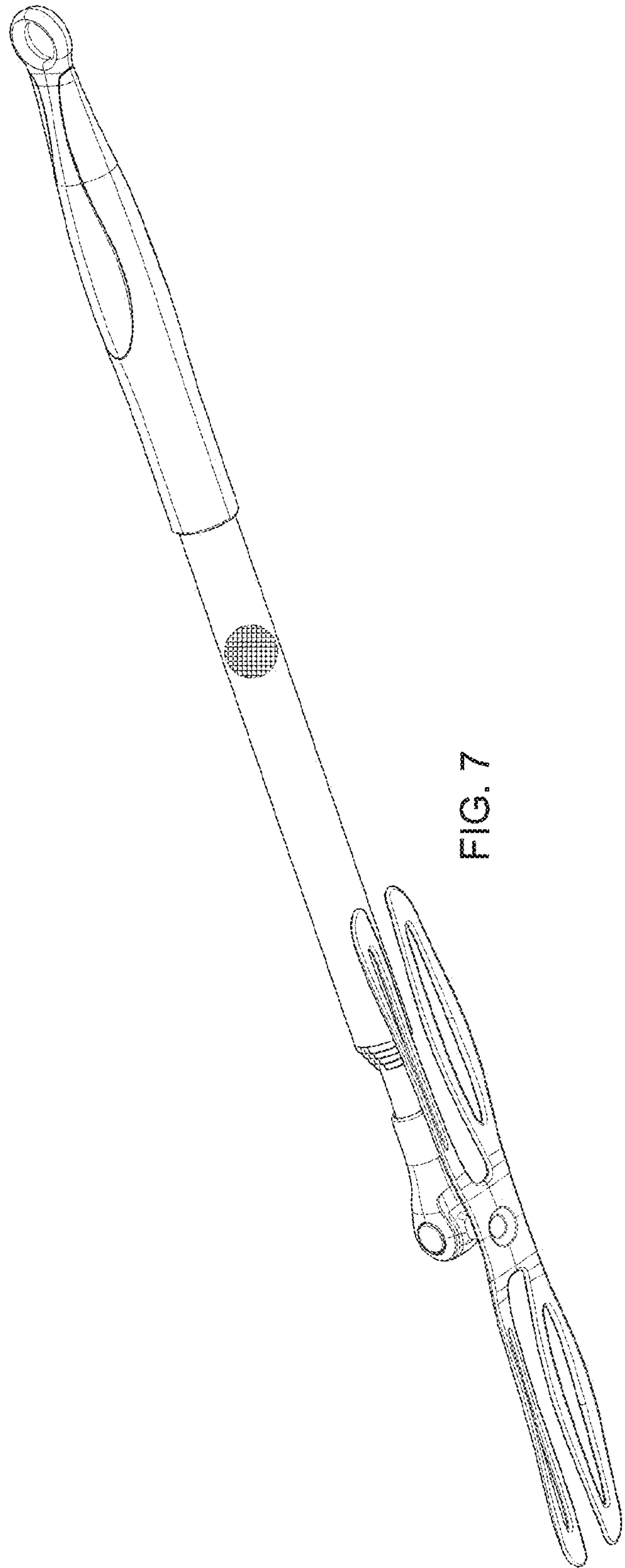


FIG. 7

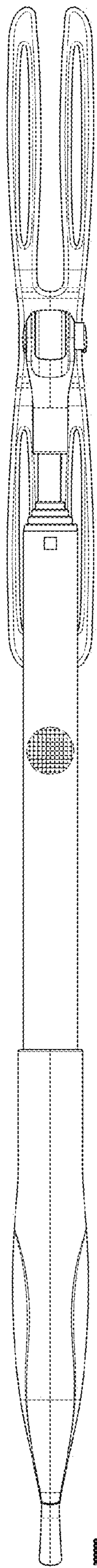


FIG. 8

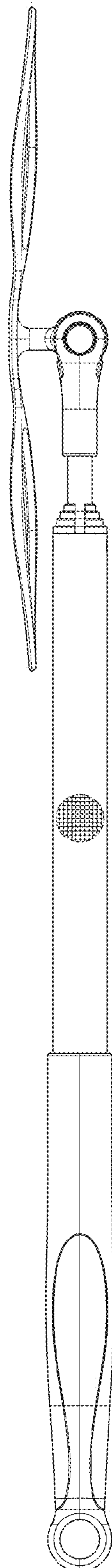


FIG. 9

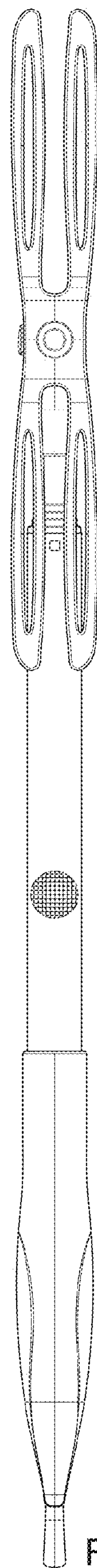


FIG. 10

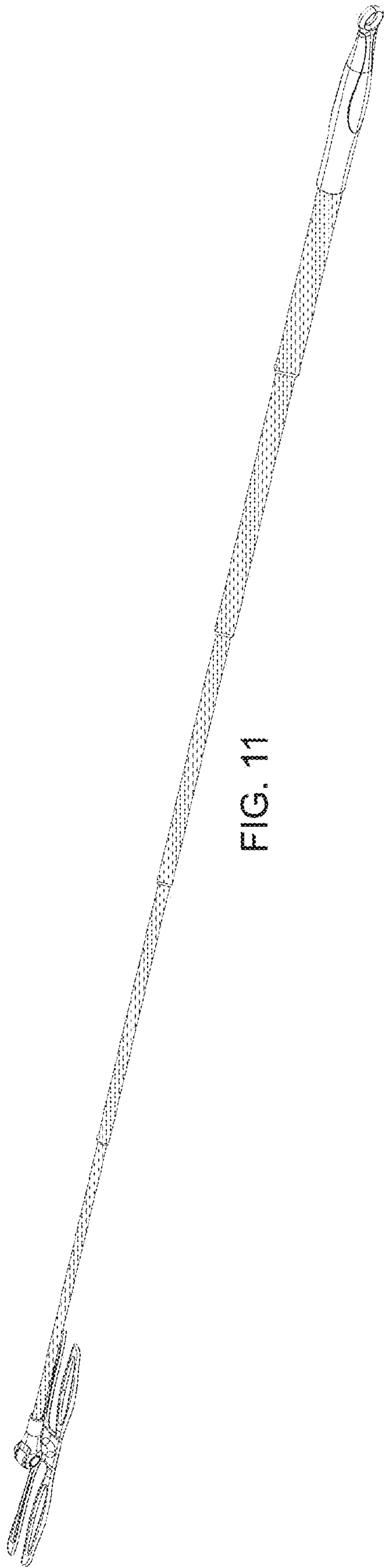


FIG. 11

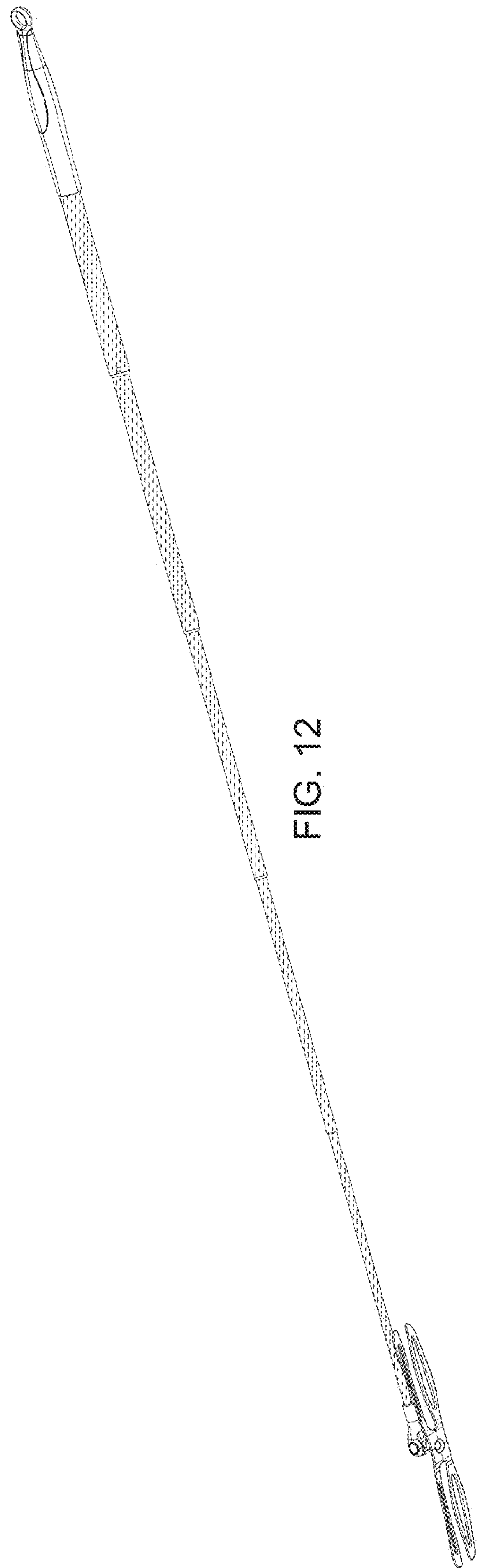


FIG. 12

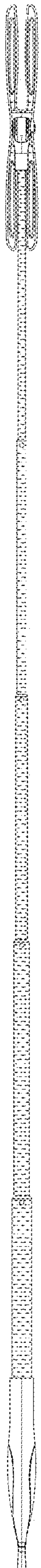


FIG. 13

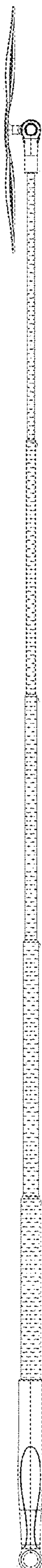


FIG. 14

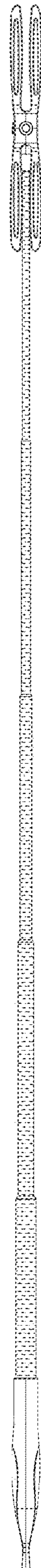


FIG. 15

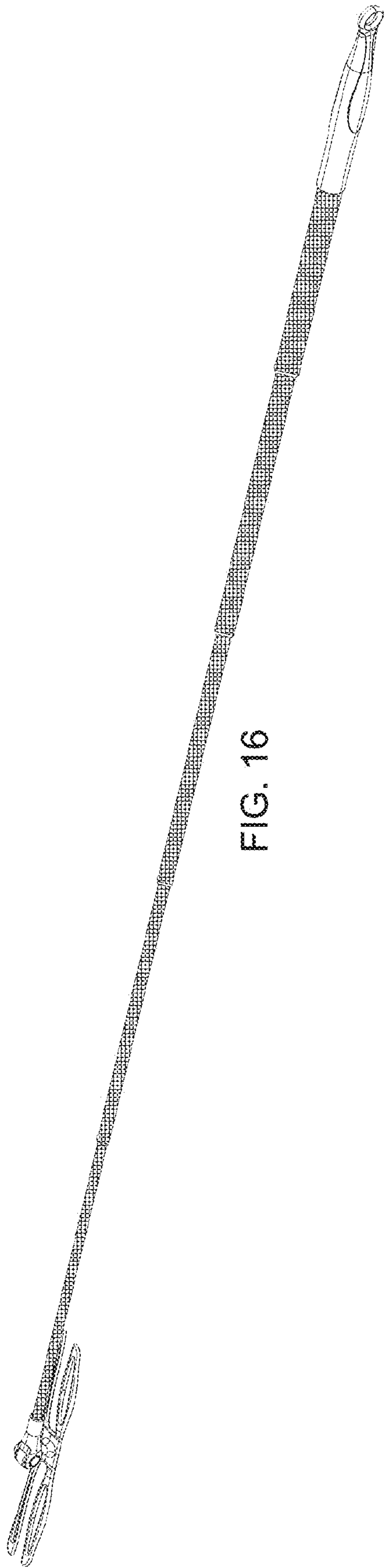


FIG. 16

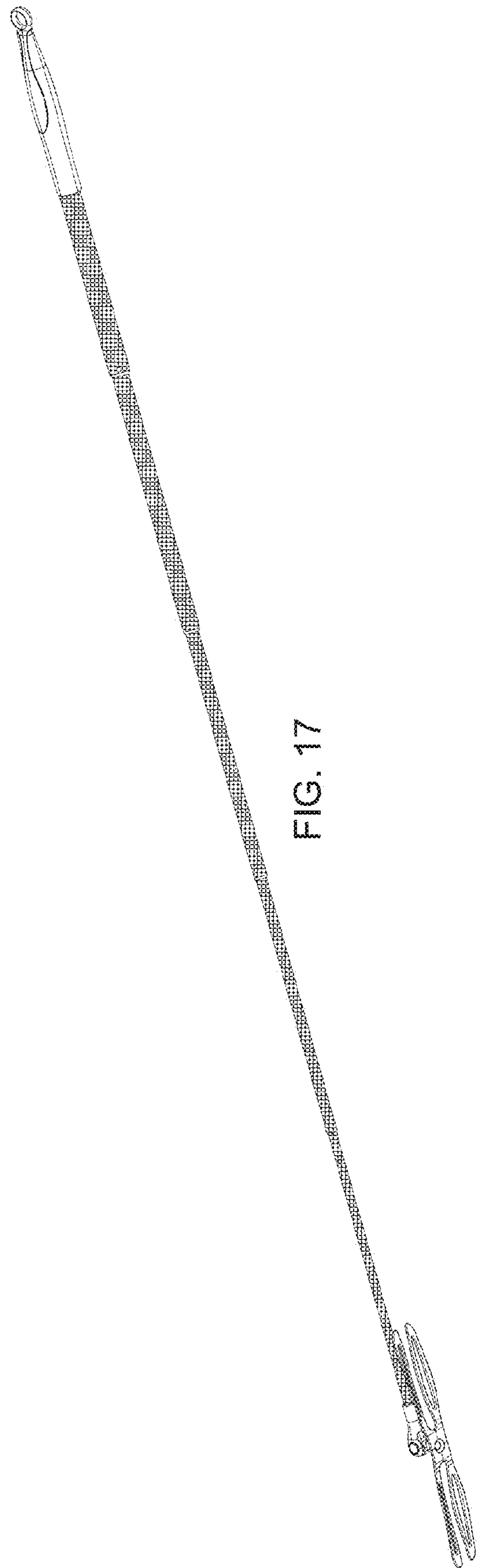


FIG. 17

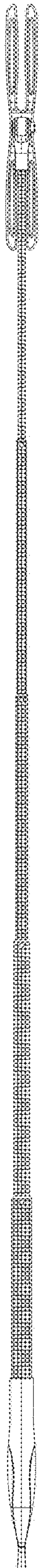


FIG. 18

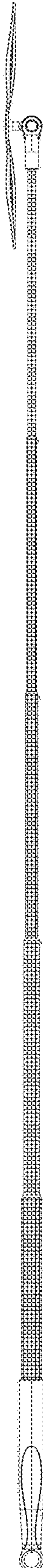


FIG. 19

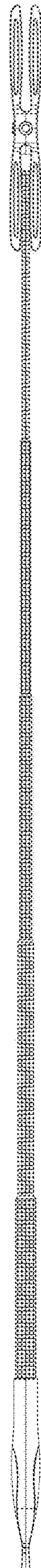


FIG. 20