



US00D905363S

(12) **United States Design Patent** (10) **Patent No.:** **US D905,363 S**
Pellegrino (45) **Date of Patent:** **** Dec. 15, 2020**

(54) **TILE AND GROUT CLEANING PAD**

(56) **References Cited**

(71) Applicant: **Leonard Pellegrino**, San Diego, CA (US)

U.S. PATENT DOCUMENTS

(72) Inventor: **Leonard Pellegrino**, San Diego, CA (US)

4,140,409	A *	2/1979	DeVries	A45D 34/04 401/132
D274,098	S	5/1984	Kaufman	
D321,761	S *	11/1991	Shimizu	D24/168
5,522,110	A	6/1996	Borofsky	
D398,992	S *	9/1998	Feret	D24/119
D401,099	S	11/1998	Pawson et al.	
D417,117	S	11/1999	Gerck	
6,023,809	A *	2/2000	Demetriades	A47L 13/20 15/229.1
D421,514	S *	3/2000	Camp, Jr.	D32/40
D446,616	S *	8/2001	Denney	D32/40
D474,031	S	5/2003	Wassil et al.	
6,842,936	B2	1/2005	Policicchi et al.	
7,033,965	B2 *	4/2006	Takabayashi	A47L 13/16 15/208

(**) Term: **15 Years**

(21) Appl. No.: **29/710,470**

(22) Filed: **Oct. 23, 2019**

Related U.S. Application Data

(63) Continuation-in-part of application No. 29/702,909, filed on Aug. 22, 2019, which is a continuation-in-part of application No. 29/673,870, filed on Dec. 18, 2018, now Pat. No. Des. 869,807, which is a continuation-in-part of application No. 29/582,099, filed on Oct. 25, 2016, now Pat. No. Des. 836,276, said application No. 29/702,909 is a continuation-in-part of application No. 29/673,863, filed on Dec. 18, 2018, which is a continuation-in-part of application No. 29/582,094, filed on Oct. 25, 2016, now Pat. No. Des. 836,275, said application No. 29/702,909 is a continuation-in-part of application No. 13/349,945, filed on Jan. 13, 2012, application No. 29/710,470, filed on Oct. 23, 2019, which is a continuation-in-part of application No. 13/349,945, filed on Jan. 13, 2012.

(Continued)

Primary Examiner — John R Yeh

(74) *Attorney, Agent, or Firm* — Gary L. Eastman, Esq.; Eastman McCartney Dallmann LLP

(51) **LOC (12) Cl.** **07-05**

(52) **U.S. Cl.**
USPC **D32/40**

(58) **Field of Classification Search**
USPC D7/678; D32/40, 43, 45–46, 50–52, 14;
D8/47, 82–86, 90; D21/449; D14/230;
D9/429, 434
CPC A47L 13/255; A47L 13/20; A63H 27/00

See application file for complete search history.

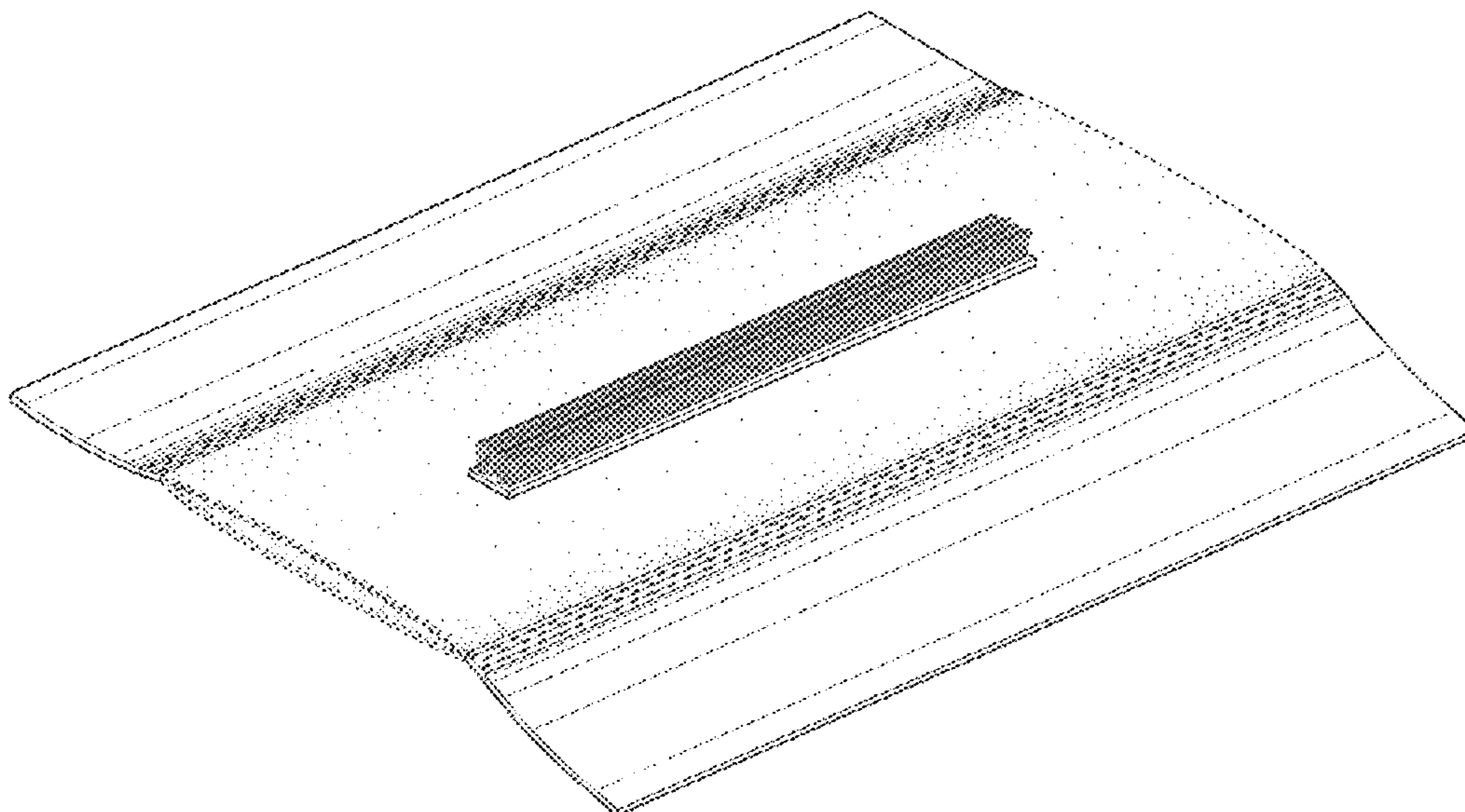
(57) **CLAIM**

The ornamental design for a tile and grout cleaning pad, as shown and described.

DESCRIPTION

FIG. 1 is a top perspective view of the tile and grout cleaning pad showing my new design;
FIG. 2 is a top plan view thereof;
FIG. 3 is a bottom plan view thereof;
FIG. 4 is a front elevational view thereof;
FIG. 5 is a back elevational view thereof;
FIG. 6 is a right side elevational view thereof; and,
FIG. 7 is a left side elevational view thereof.
The broken lines in the figures represent portions of the tile and grout cleaning pad that form no part of the claimed design.

1 Claim, 5 Drawing Sheets



(56)

References Cited

U.S. PATENT DOCUMENTS

D523,274 S	6/2006	Miyoshi	
7,234,194 B2 *	6/2007	Tanaka	A47L 13/20 15/229.3
D549,030 S	8/2007	Kessler et al.	
D551,407 S *	9/2007	Caruso	D32/40
D551,408 S	9/2007	Pung et al.	
D608,127 S	1/2010	Venugopal	
7,712,178 B2 *	5/2010	Yamada	A47L 13/16 15/208
D623,882 S	9/2010	Oster	
D642,759 S	8/2011	Otsuka et al.	
D650,540 S *	12/2011	Fiumefreddo	D32/50
D655,875 S *	3/2012	Fiumefreddo	D32/50
8,225,453 B2 *	7/2012	Yamada	A47L 13/12 15/229.1
D666,860 S	9/2012	Lubart	
D667,187 S *	9/2012	Sowinski	D32/40
D674,566 S	1/2013	Colangelo	
D678,685 S *	3/2013	Kase	D5/56
D714,506 S *	9/2014	Yamada	D32/40
D792,042 S *	7/2017	Parsons	D32/40
D797,460 S *	9/2017	Pellegrino	D4/120
D813,480 S *	3/2018	Burazin	D32/40
D836,276 S *	12/2018	Pellegrino	D32/40
D867,704 S *	11/2019	Hagee	D32/40
D869,807 S *	12/2019	Pellegrino	D32/40
2006/0096051 A1 *	5/2006	Akai	A47L 13/17 15/104.93
2007/0107155 A1	5/2007	Kacher et al.	
2012/0042467 A1	2/2012	Mandhai et al.	

* cited by examiner

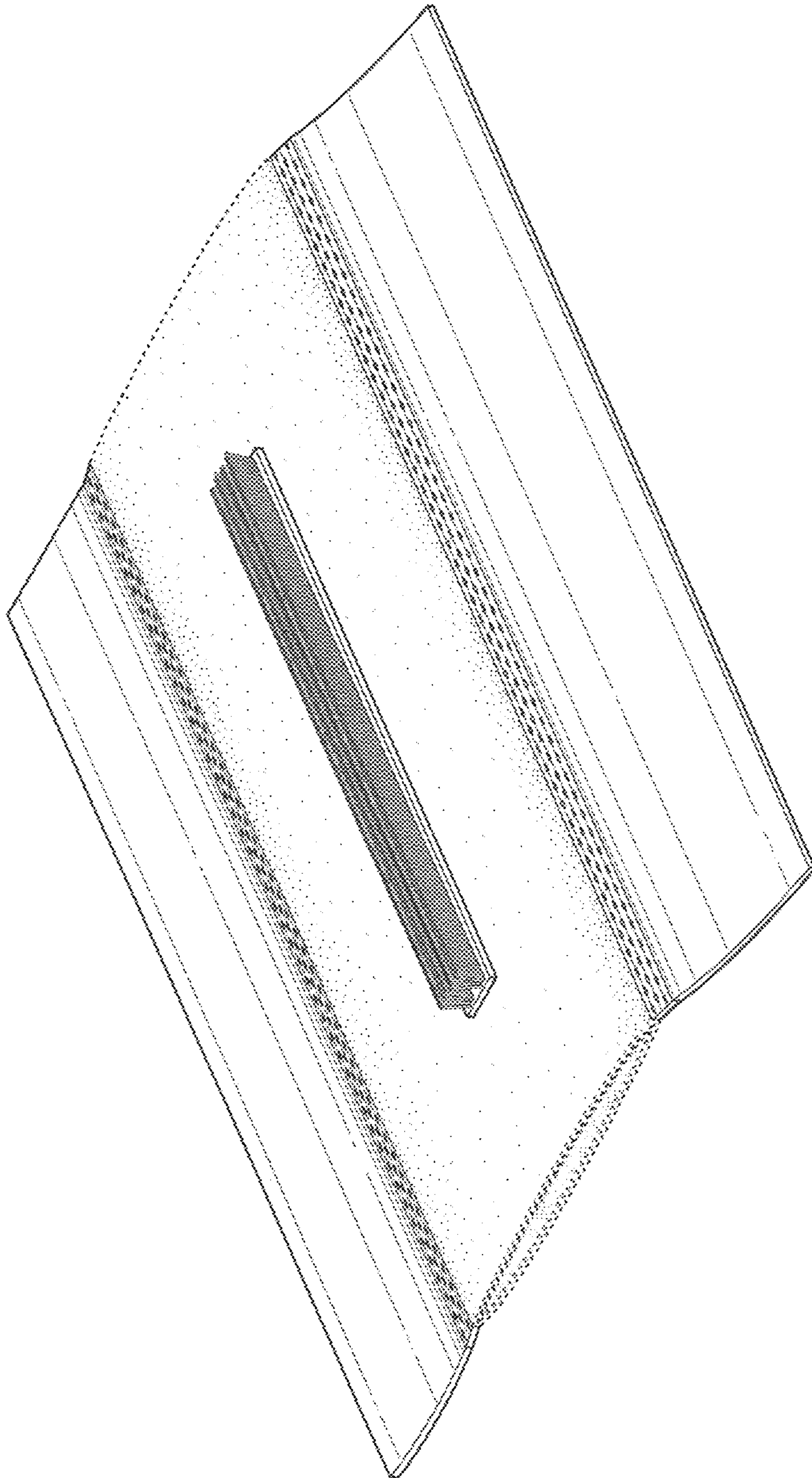


FIG. 1

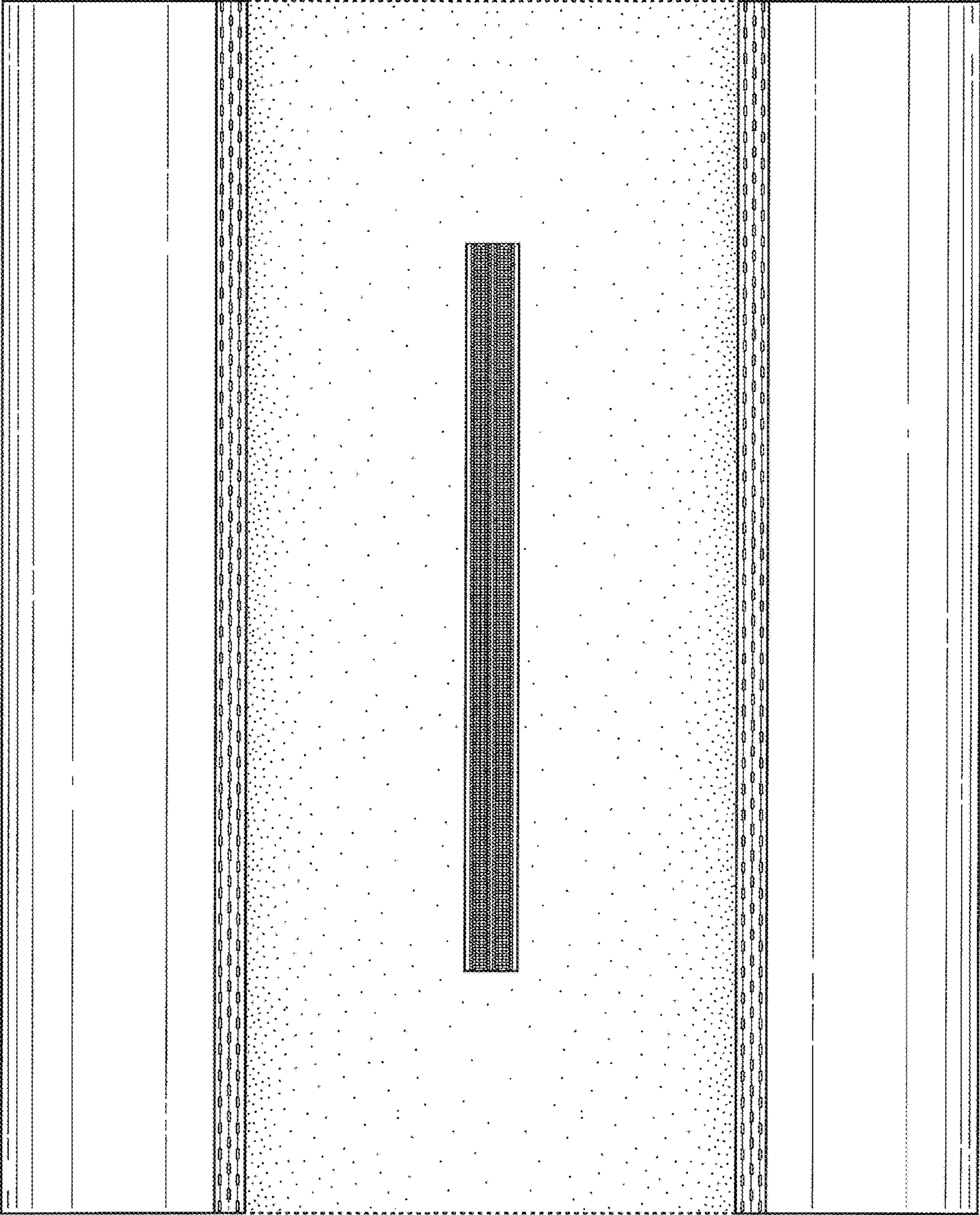


FIG. 2

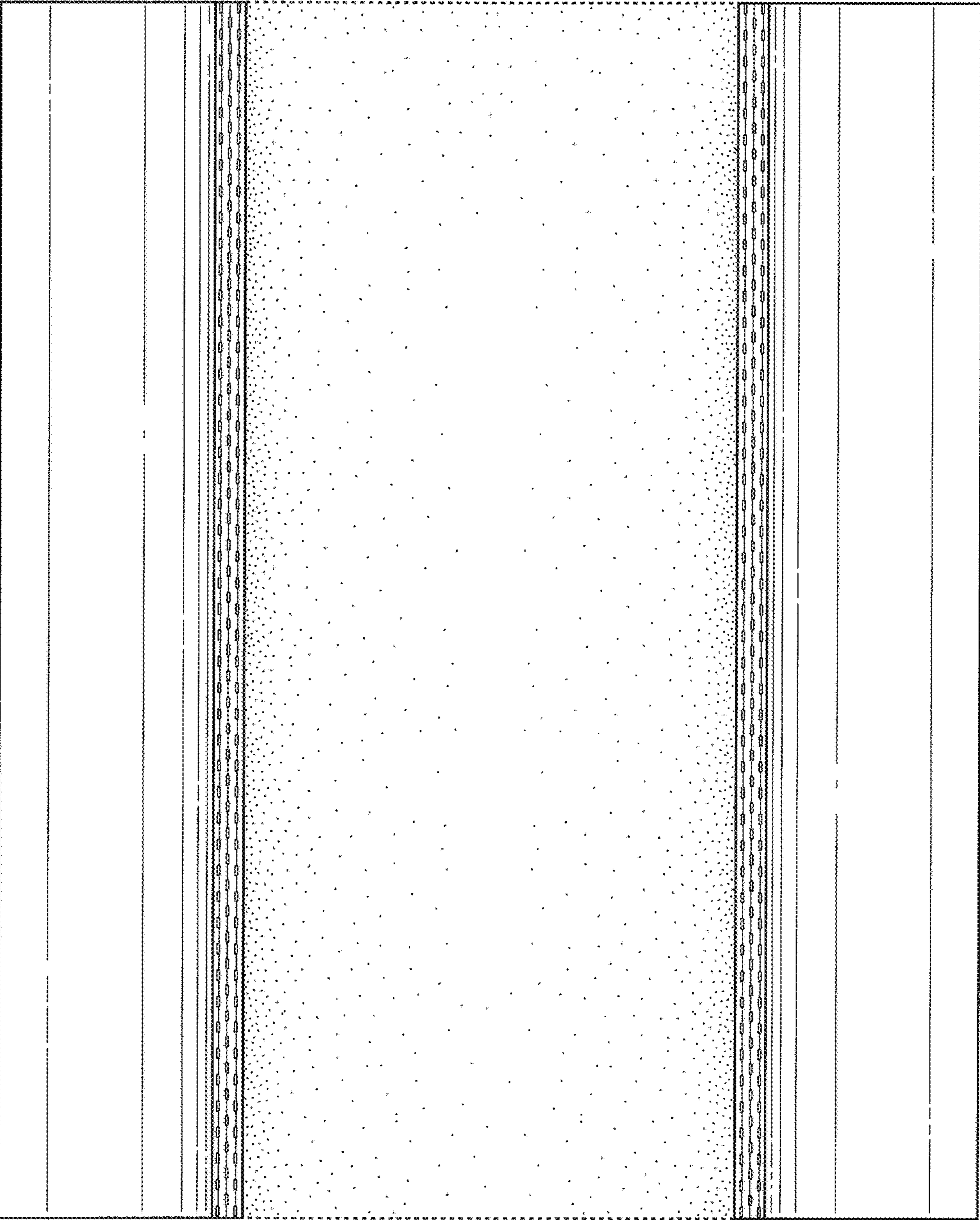


FIG. 3



FIG. 4

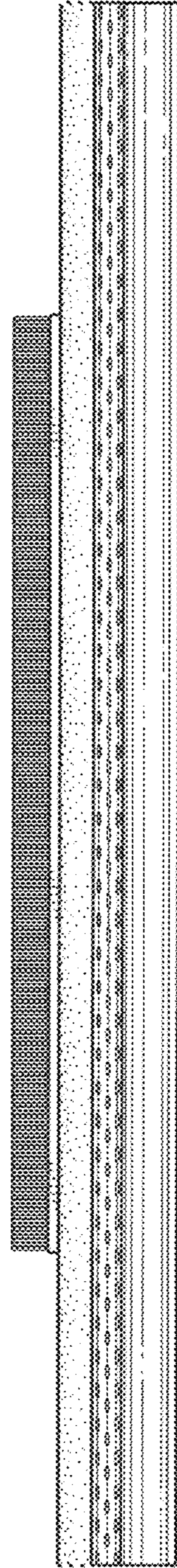


FIG. 5

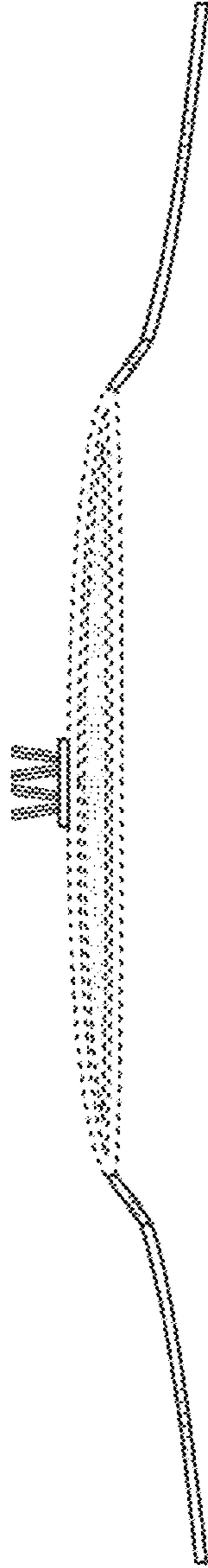


FIG. 6

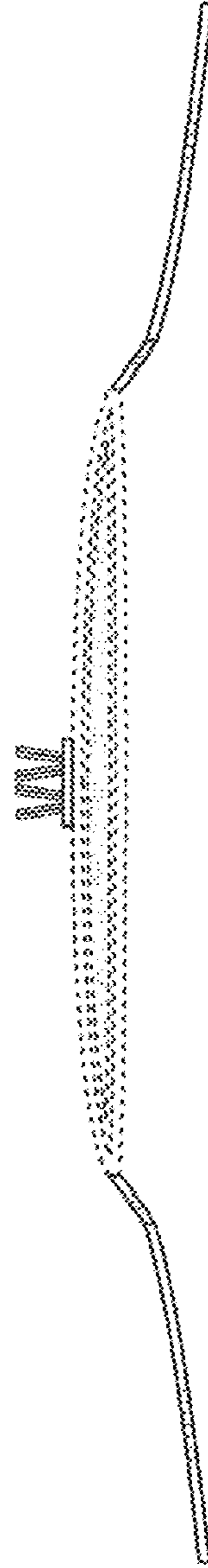


FIG. 7