



US00D905361S

(12) **United States Design Patent**
Wang

(10) **Patent No.:** **US D905,361 S**

(45) **Date of Patent:** **** Dec. 15, 2020**

(54) **TRIGGER LOCK FOR VACUUM CLEANER**

(71) Applicant: **Hao Wang**, Guangzhou (CN)

(72) Inventor: **Hao Wang**, Guangzhou (CN)

(**) Term: **15 Years**

(21) Appl. No.: **29/729,878**

(22) Filed: **Mar. 31, 2020**

(51) **LOC (12) Cl.** **15-05**

(52) **U.S. Cl.**

USPC **D32/31**

(58) **Field of Classification Search**

USPC D32/15-25, 29, 31-34; D22/108

CPC A47L 5/00; A47L 9/00; A47L 9/04; A47L

9/06; A47L 9/16; A47L 9/28; A47L 9/30;

A47L 11/40; F41A 17/54

See application file for complete search history.

(56) **References Cited**

U.S. PATENT DOCUMENTS

2,664,658 A * 1/1954 Bjorklund F41A 17/54

42/70.06

3,442,467 A * 5/1969 Stoffel B60R 22/38

242/383.5

3,956,842 A * 5/1976 Ballenger F41A 17/54

42/70.07

5,392,551 A * 2/1995 Simpson F41A 17/54

42/70.07

5,400,538 A * 3/1995 Shannon F41A 17/04

42/70.06

5,515,633 A * 5/1996 Harris F41A 17/54

42/70.07

5,544,440 A * 8/1996 Stockman F41A 17/54

42/70.06

D393,305 S * 4/1998 Misner D22/100

D435,280 S * 12/2000 Vicale D22/100

6,205,695 B1 * 3/2001 Schnell F41A 17/54

42/70.07

D443,014 S * 5/2001 Vicale D22/100

6,460,283 B1 * 10/2002 Ramos F41A 17/54

42/70.01

6,474,238 B1 * 11/2002 Weinraub F41A 17/54

42/70.07

D532,947 S 11/2006 Muscarella

D537,143 S 2/2007 Farchione et al.

D670,351 S * 11/2012 Skaggs, Sr. D22/108

8,720,097 B2 * 5/2014 Derman F41A 17/54

42/70.07

10,048,032 B1 * 8/2018 Lazar F41A 17/44

D835,744 S * 12/2018 Lazar D22/108

D841,319 S 2/2019 Tang

10,228,206 B2 * 3/2019 Bordley F41A 17/54

(Continued)

OTHER PUBLICATIONS

LANMU Trigger Lock for Dyson (on-line), reviewed Jan. 15, 2020.

Retrieved from Internet May 29, 2020, URL: <https://www.amazon.com/LANMU-Trigger-Absolute-Motorhead-Accessories/dp/B081QBZ1VN> (3 pages) (Year: 2020).*

Primary Examiner — Kimberly Barnes

(74) *Attorney, Agent, or Firm* — KA Filing LLC; Cynthia

W. Flanigan

(57)

CLAIM

I claim the ornamental design for a trigger lock for vacuum cleaner, as shown and described.

DESCRIPTION

FIG. 1 is a Perspective view of a trigger lock for vacuum cleaner showing my new design;

FIG. 2 is a Front view thereof;

FIG. 3 is a Back view thereof;

FIG. 4 is a Right-side view thereof;

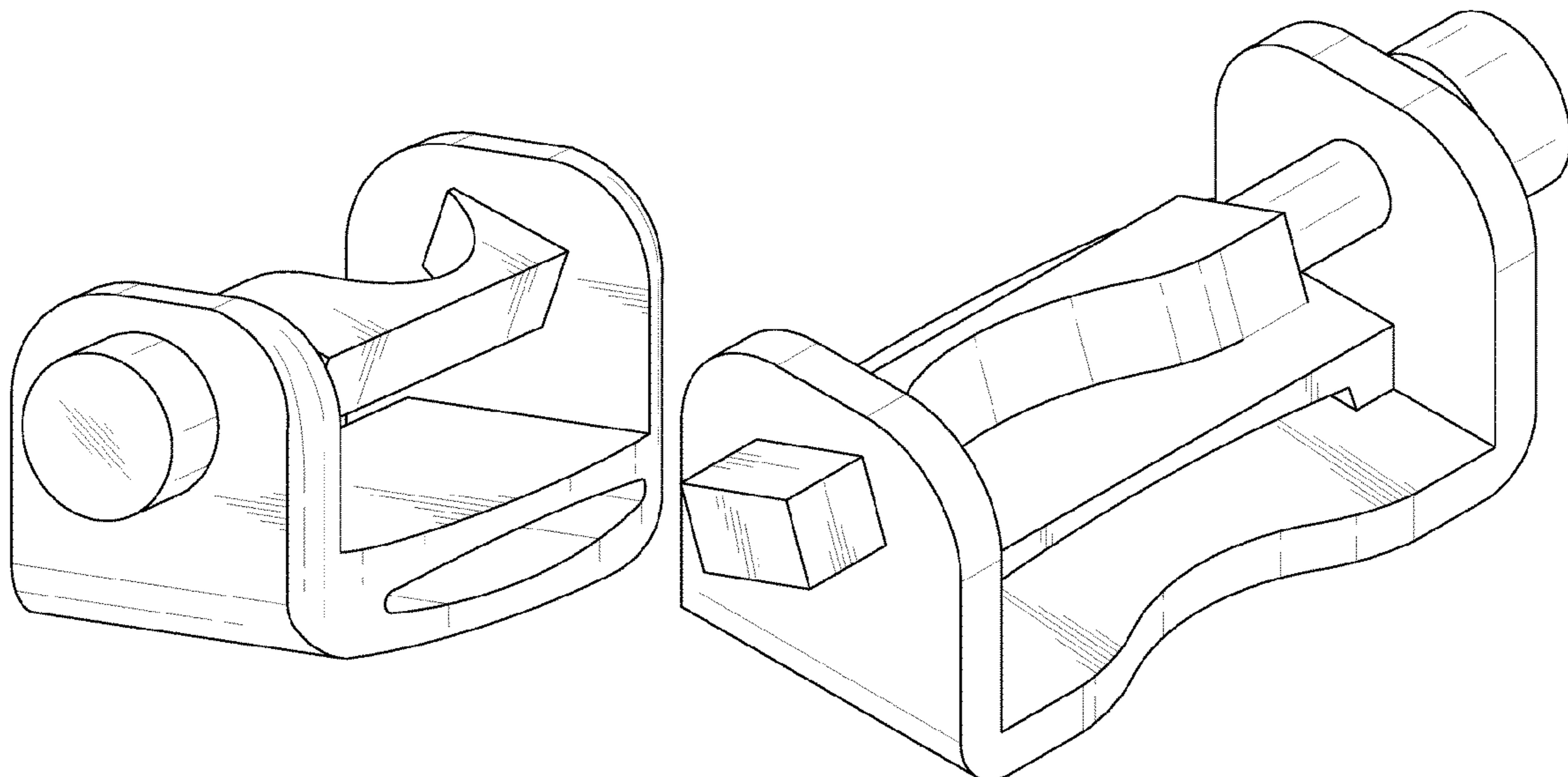
FIG. 5 is a Left-side view thereof;

FIG. 6 is a Top view thereof;

FIG. 7 is a Bottom view thereof; and,

FIG. 8 is a Back Perspective view thereof.

1 Claim, 8 Drawing Sheets



(56)

References Cited

U.S. PATENT DOCUMENTS

2009/0072546 A1* 3/2009 Nguyen F41A 17/54
292/6
2012/0131829 A1* 5/2012 Fistikchi F41C 23/04
42/1.06
2019/0376757 A1* 12/2019 Myers F41A 17/44

* cited by examiner

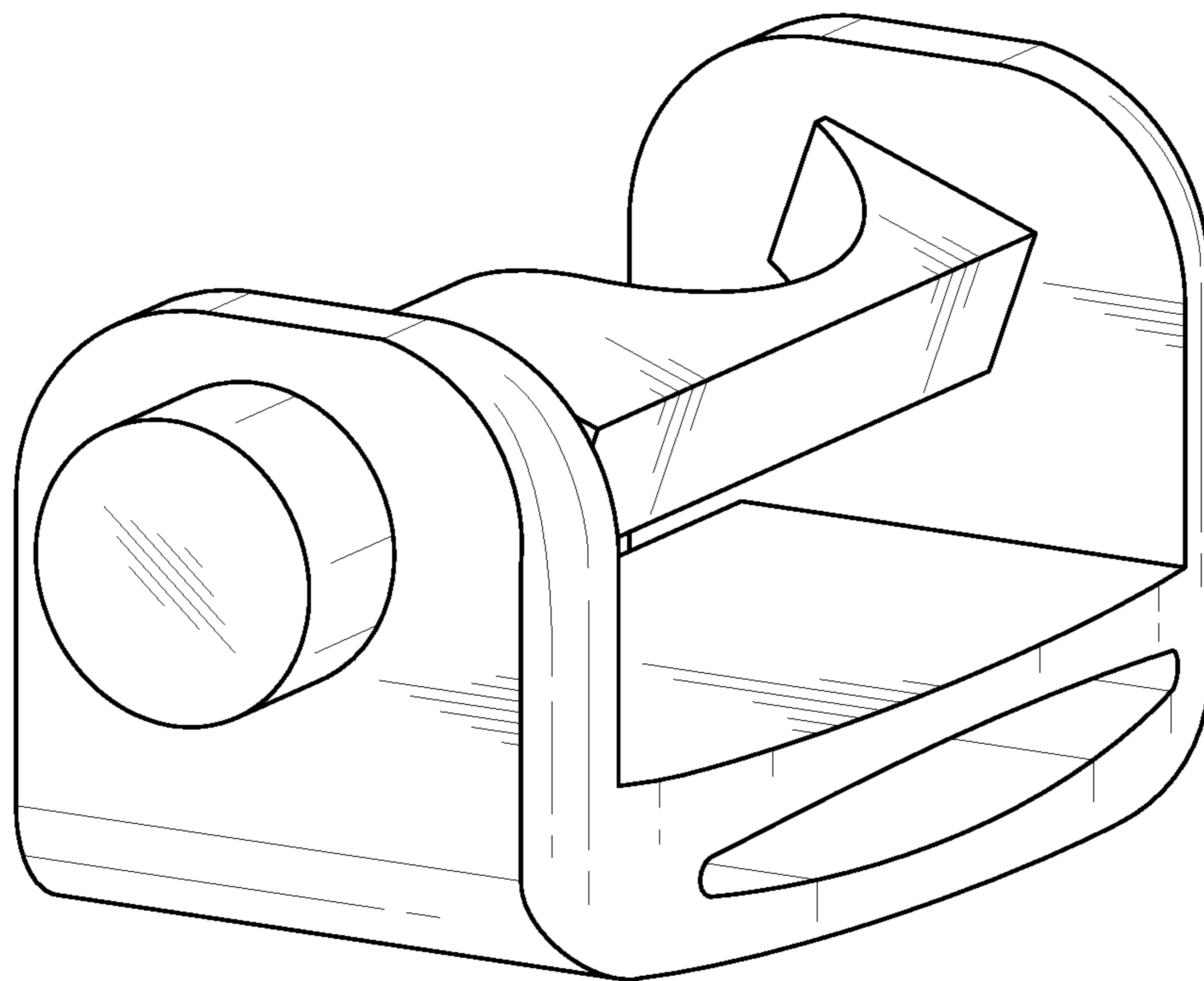


FIG. 1

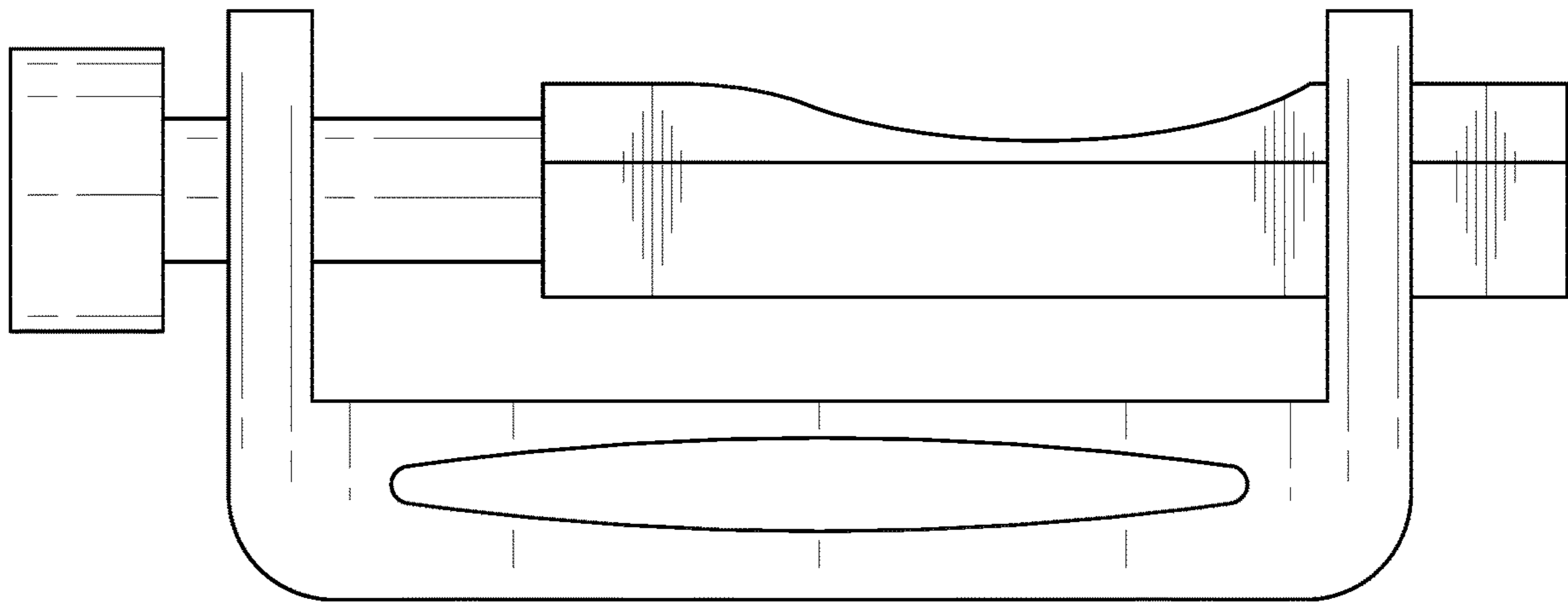


FIG. 2

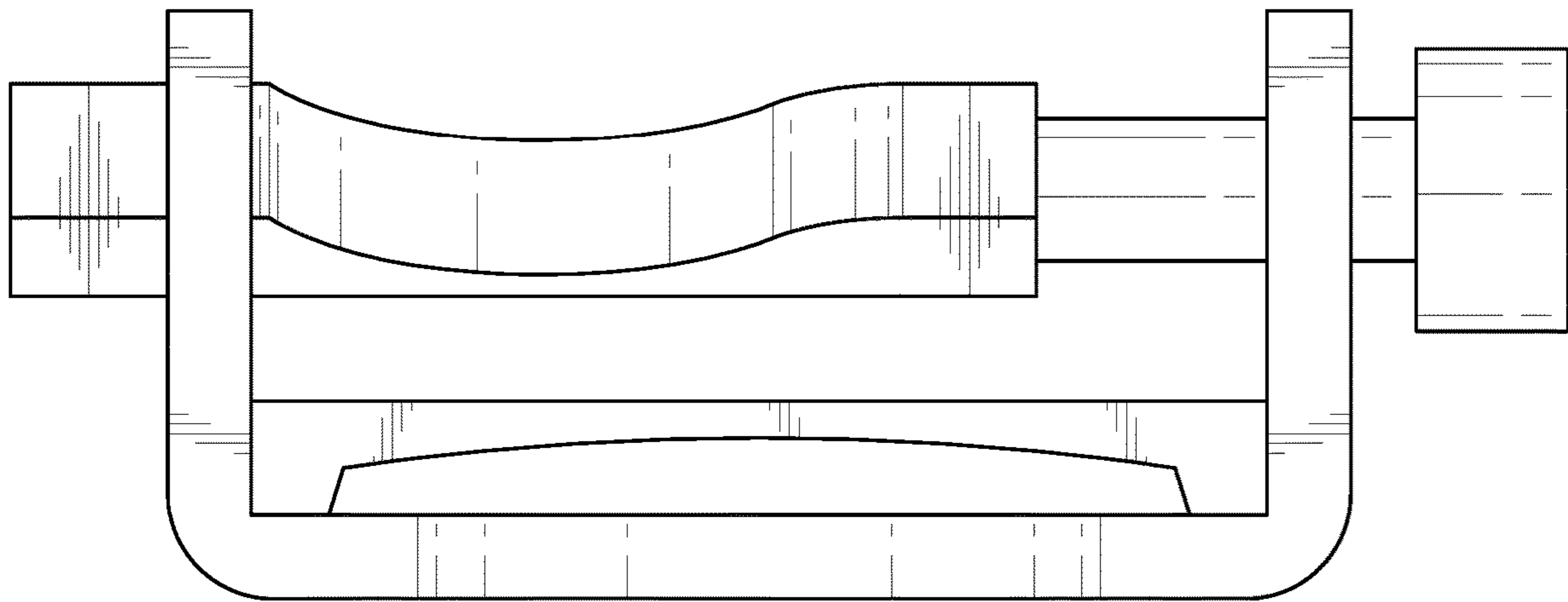


FIG. 3

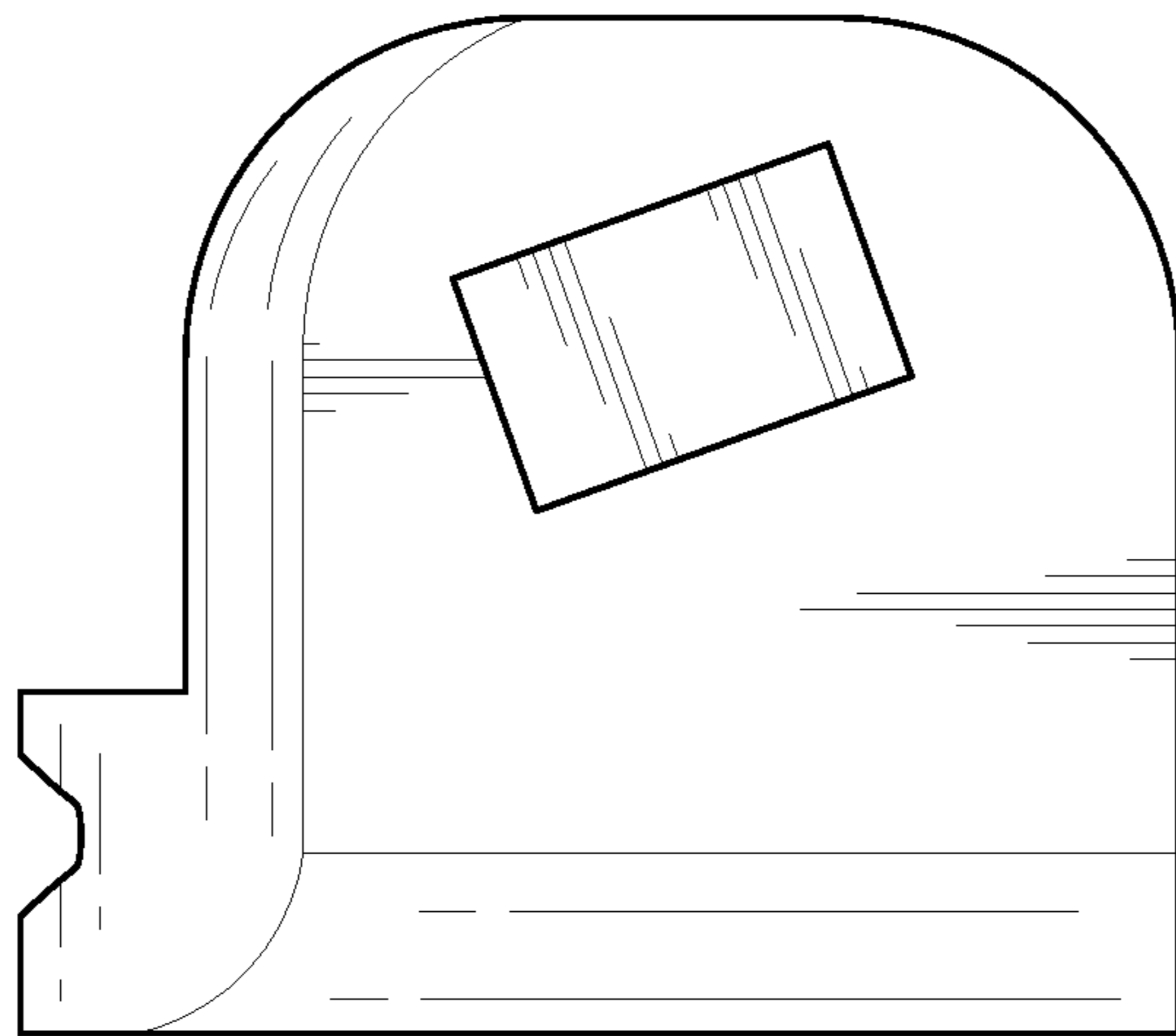


FIG. 4

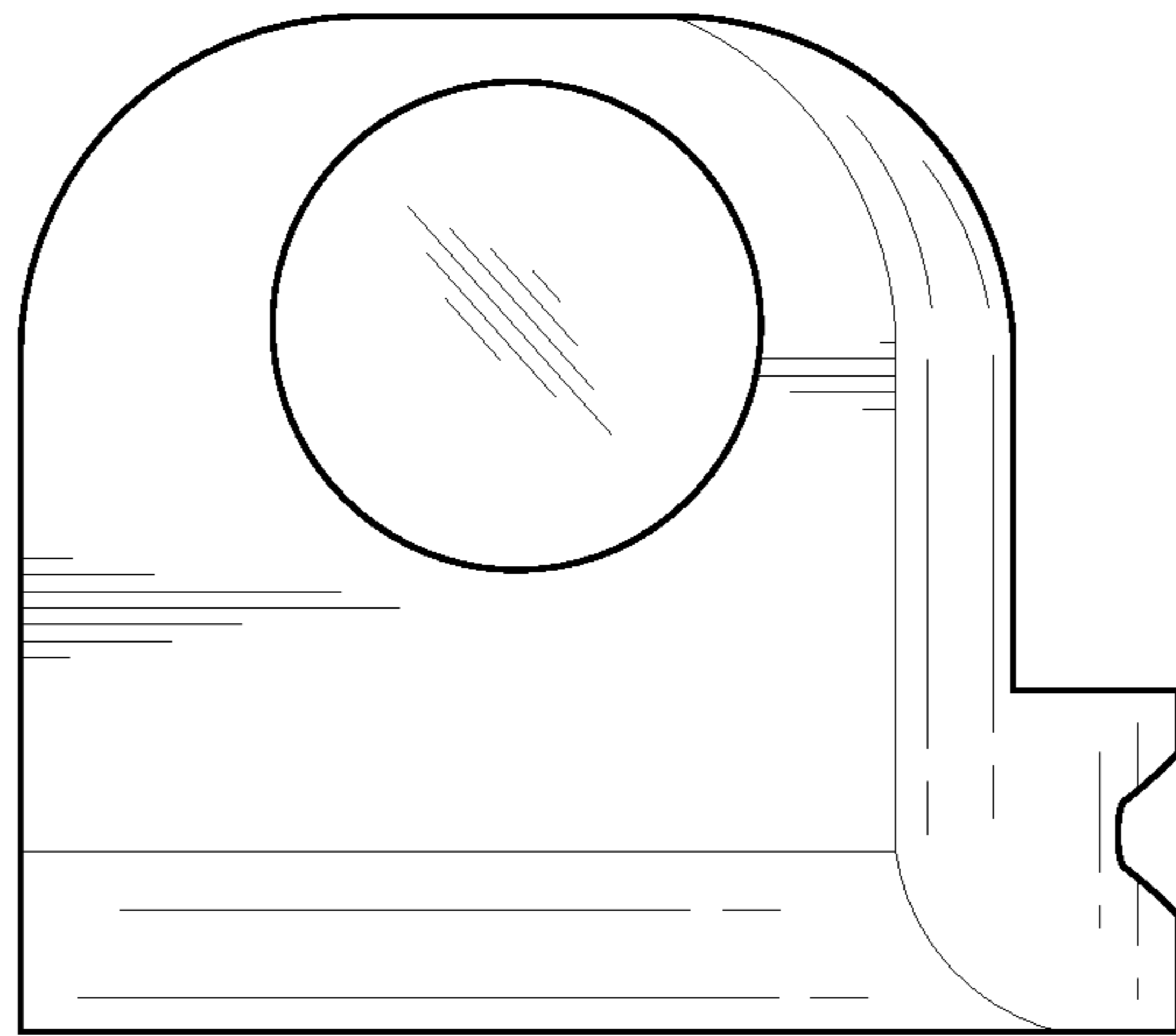


FIG. 5

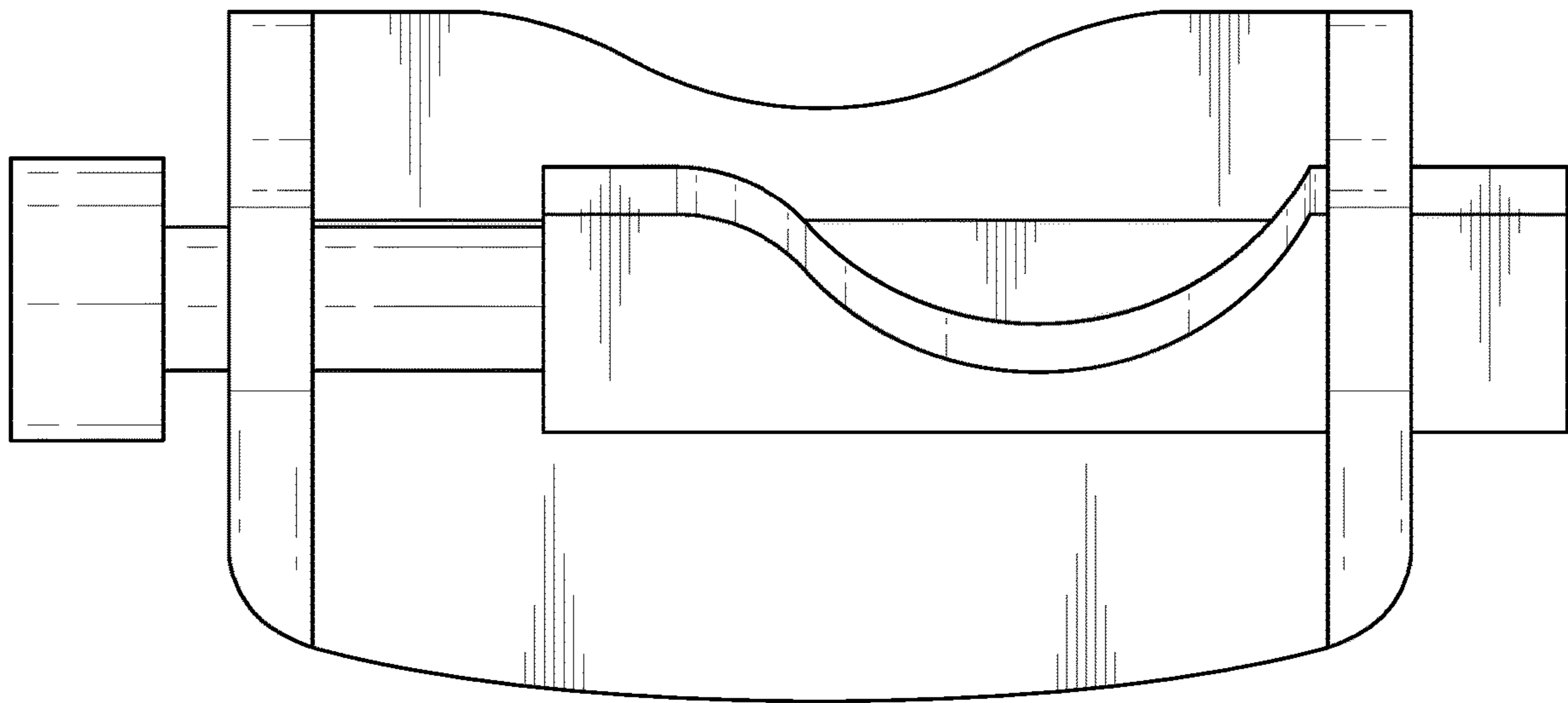


FIG. 6

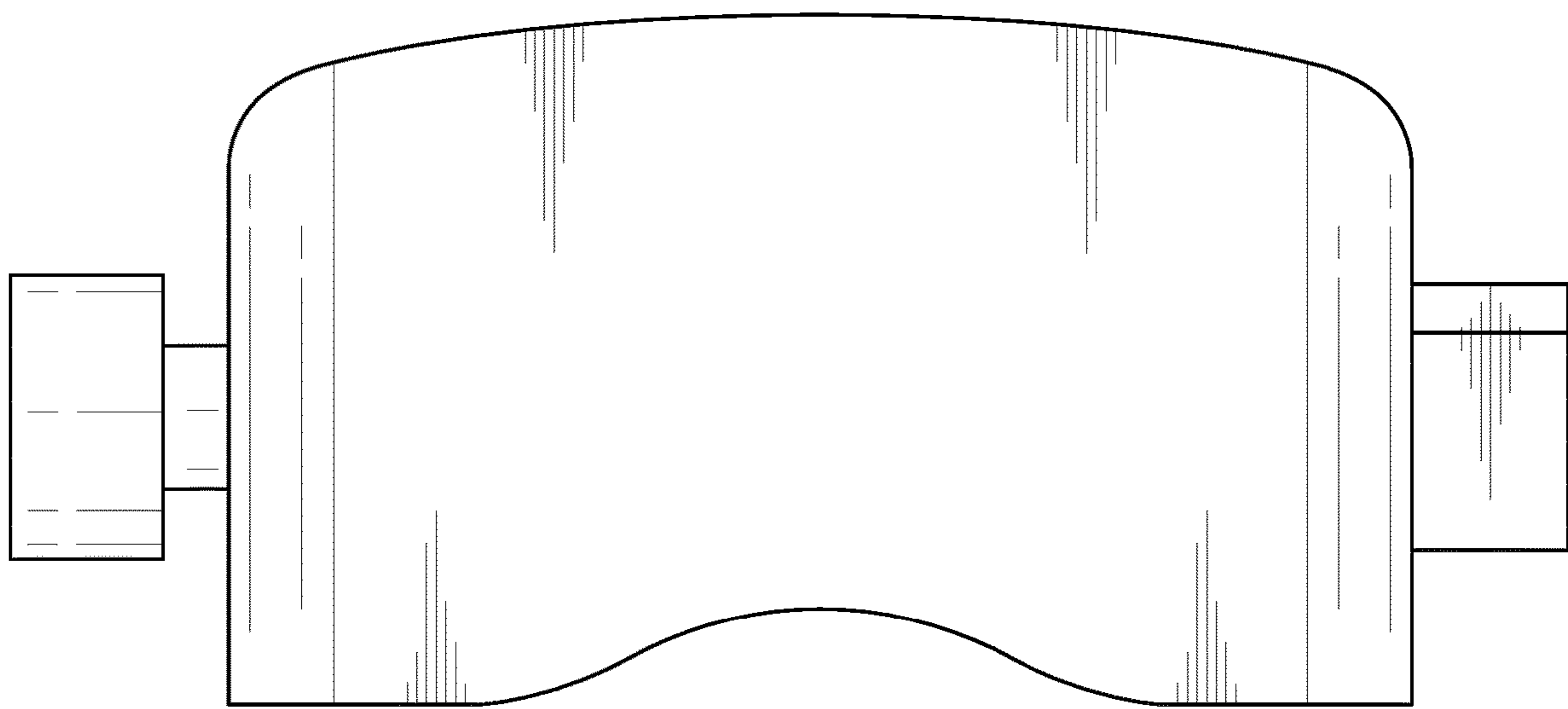


FIG. 7

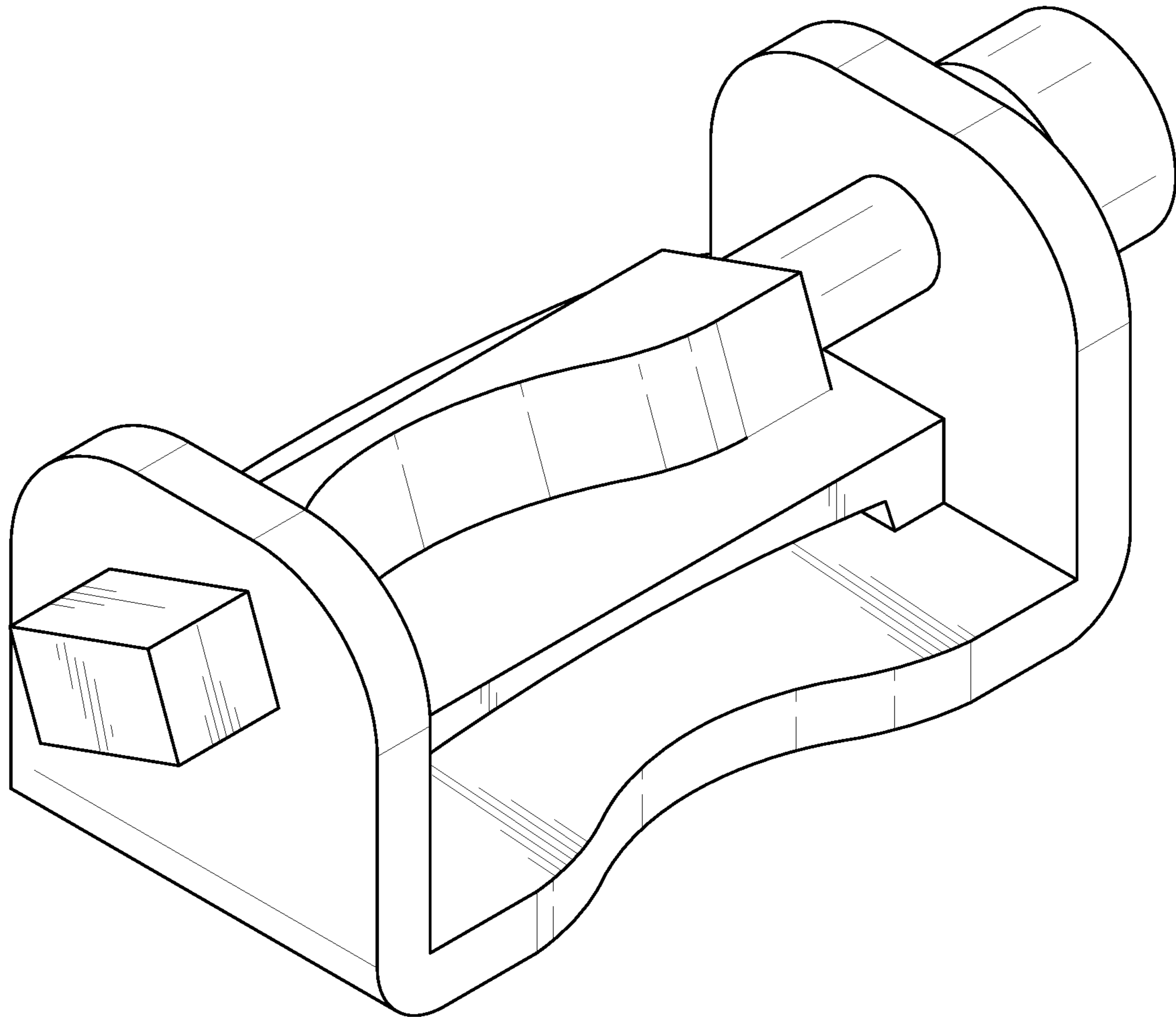


FIG. 8