



US00D905360S

(12) **United States Design Patent**  
**Ma**

(10) **Patent No.:** **US D905,360 S**  
(45) **Date of Patent:** **\*\* Dec. 15, 2020**

(54) **VACUUM CLEANER**

(71) Applicant: **Shenzhen Geemo Technology Co., Ltd, Shenzhen (CN)**

(72) Inventor: **Chaoliang Ma, Shenzhen (CN)**

(73) Assignee: **SHENZHEN GEEMO TECHNOLOGY CO., LTD, Shenzhen (CN)**

(\*\*) Term: **15 Years**

(21) Appl. No.: **29/728,895**

(22) Filed: **Mar. 23, 2020**

(51) **LOC (12) Cl.** ..... **15-05**

(52) **U.S. Cl.**  
USPC ..... **D32/22**

(58) **Field of Classification Search**  
USPC ..... D32/15–25, 29, 31–34  
CPC ..... A47L 5/00; A47L 9/00; A47L 9/04; A47L 9/06; A47L 9/16; A47L 9/28; A47L 9/30  
See application file for complete search history.

(56) **References Cited**

**U.S. PATENT DOCUMENTS**

D731,720 S *	6/2015	Gidwell	.....	D32/18
D738,584 S *	9/2015	Niedzwecki	.....	D32/22
D743,123 S *	11/2015	Chu	.....	D32/18
D775,772 S *	1/2017	Lee	.....	D32/31
D781,015 S *	3/2017	Kim	.....	D32/33
D792,040 S *	7/2017	Meyer	.....	D32/22
D798,009 S *	9/2017	Salagnac	.....	D32/18
D799,767 S *	10/2017	Palladino	.....	D32/22
D800,980 S *	10/2017	Carter	.....	D32/21
D812,828 S	3/2018	Yoon et al.		
D818,223 S *	5/2018	Nam	.....	D32/18
D819,282 S *	5/2018	Kim	.....	D32/22
D821,667 S *	6/2018	Nam	.....	D32/18
D824,616 S *	7/2018	Ward	.....	D32/22
D827,231 S *	8/2018	Ward	.....	D32/18

D827,955 S *	9/2018	Palladino	.....	D32/18
D830,017 S *	10/2018	Nam	.....	D32/22
10,117,554 B2 *	11/2018	Williamson	.....	A47L 9/0477

(Continued)

**OTHER PUBLICATIONS**

Moosoo vacuum cleaner review (on-line), dated Oct. 31, 2019. Retrieved from Internet Jun. 4, 2020, URL: <https://www.realsimple.com/home-organizing/cleaning/moosoo-cordless-vacuum-amazon> (1 pages) (Year: 2019).\*

(Continued)

*Primary Examiner* — Kimberly Barnes

(57) **CLAIM**

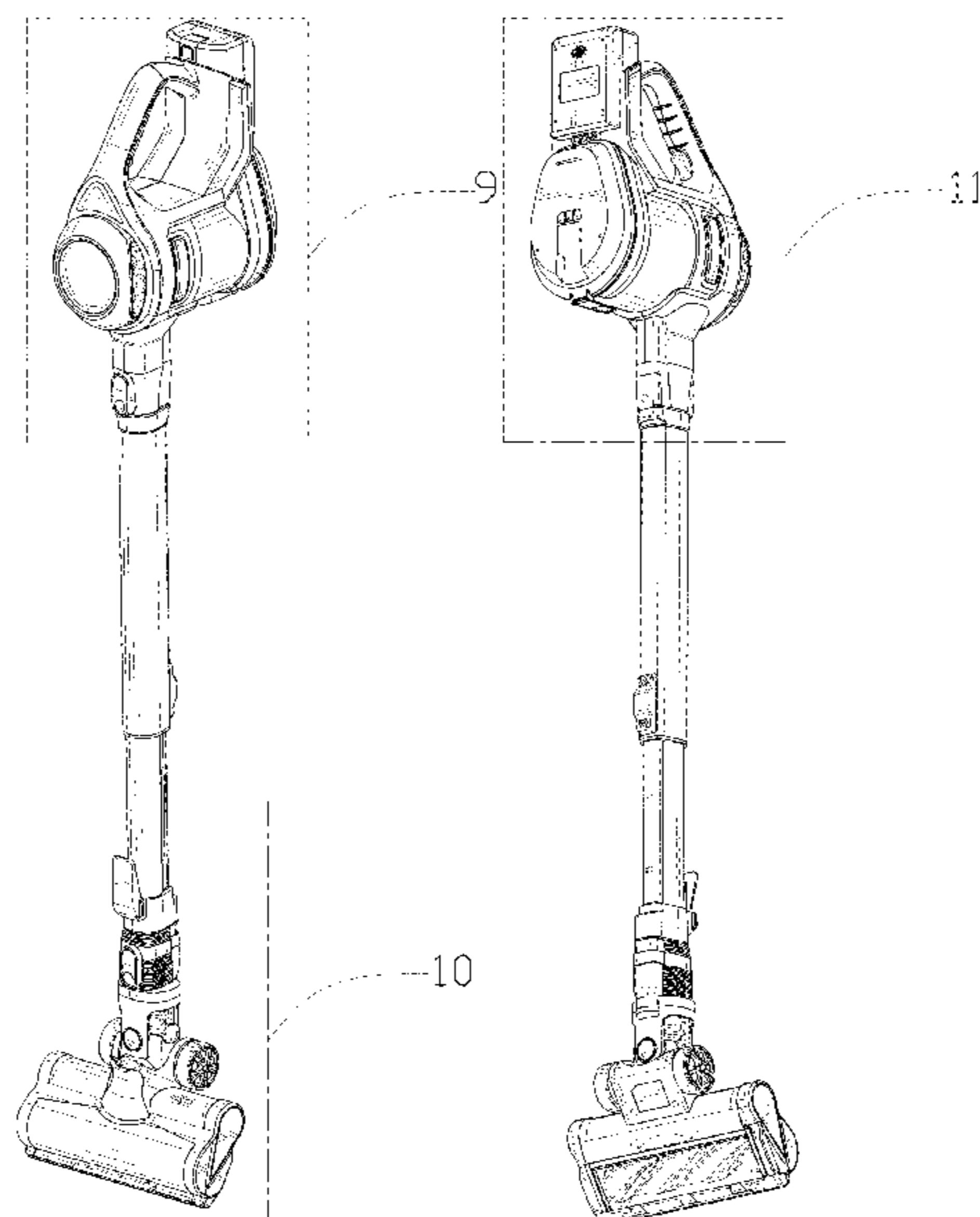
The ornamental design for a vacuum cleaner, as shown and described.

**DESCRIPTION**

FIG. 1 is a perspective view of a vacuum cleaner showing my new design;  
 FIG. 2 is another perspective view thereof;  
 FIG. 3 is a front elevational view thereof;  
 FIG. 4 is a rear elevational view thereof;  
 FIG. 5 is a left side elevational view thereof;  
 FIG. 6 is a right side elevational view thereof;  
 FIG. 7 is a top plan view thereof;  
 FIG. 8 is a bottom plan view thereof;  
 FIG. 9 is an enlarged view of the encircled portion 9 of FIG. 1;  
 FIG. 10 is an enlarged view of the encircled portion 10 of FIG. 1;  
 FIG. 11 is an enlarged view of the encircled portion 11 of FIG. 2;  
 FIG. 12 is an enlarged view of FIG. 7; and,  
 FIG. 13 is an enlarged view of FIG. 8.

The broken lines in the drawings are for the purpose of illustrating portions of the vacuum cleaner that form no part of the claimed design.

**1 Claim, 13 Drawing Sheets**



(56)

**References Cited**

U.S. PATENT DOCUMENTS

D838,067 S \* 1/2019 Irfan ..... A47L 9/1666  
D32/22  
D846,212 S 4/2019 Gaammack et al.  
D851,846 S \* 6/2019 Gammack ..... D32/22  
D862,011 S \* 10/2019 Kim ..... D32/22  
D868,400 S \* 11/2019 Niedzwecki ..... D32/18  
D871,695 S \* 12/2019 Niedzwecki ..... D32/22  
10,492,653 B2 \* 12/2019 Nam ..... A47L 9/1633

OTHER PUBLICATIONS

Moosoo 4 in 1 Stick Handheld Vacuum (on-line), dated Oct. 9, 2019. Retrieved from Internet May 29, 2020, URL: <https://www.youtube.com/watch?v=ko6lp0HxnGk> (1 page) (Year: 2019).\*

Moosoo website (online), no date available. Retrieved from Internet Jun. 5, 2020, URL: <https://imoosoo.com> (4 pages).\*

\* cited by examiner

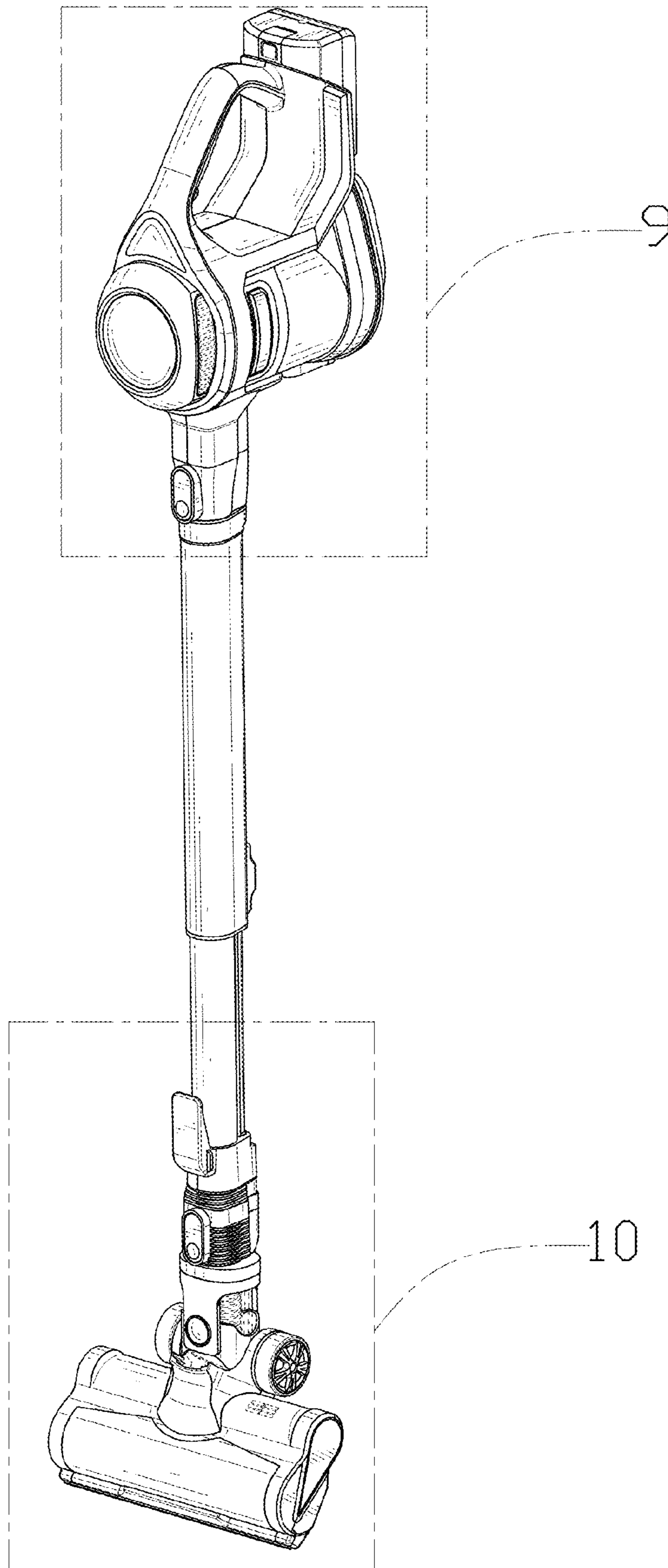


FIG. 1

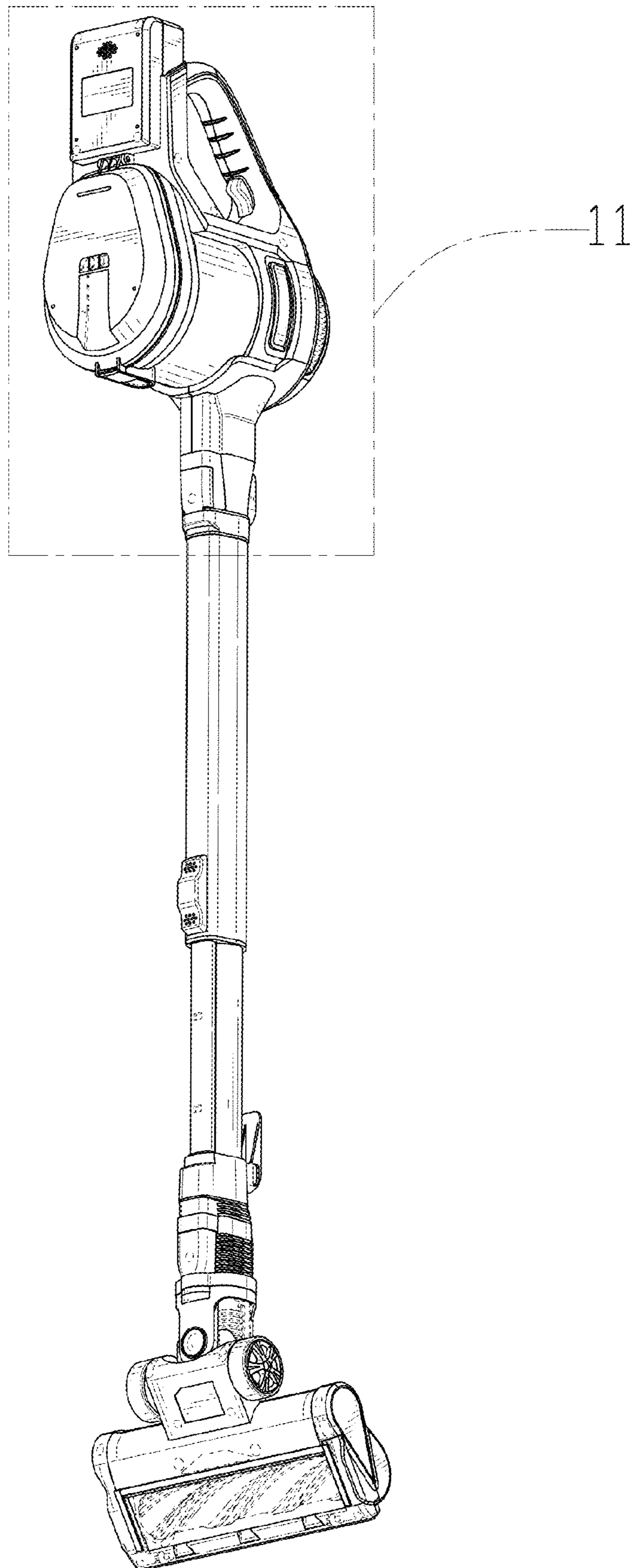


FIG. 2

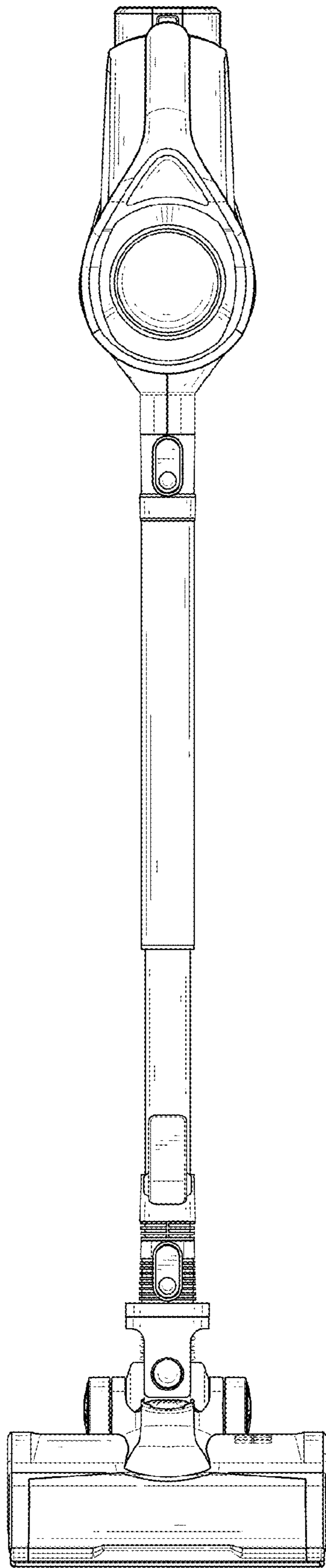


FIG. 3



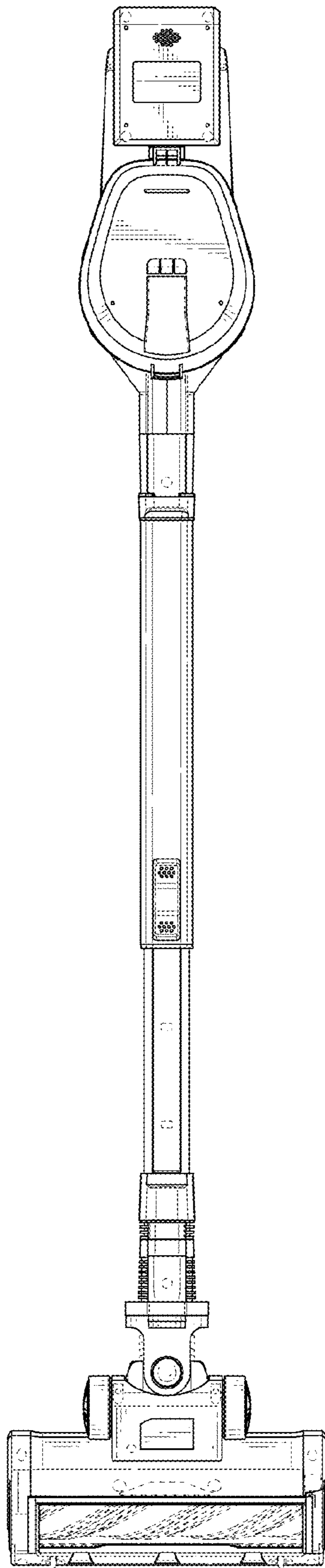


FIG. 4

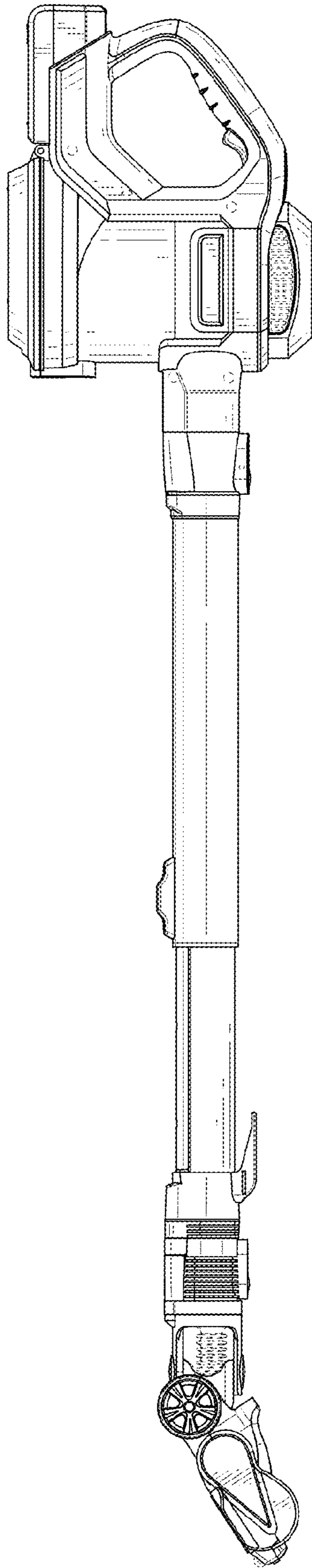


FIG. 5

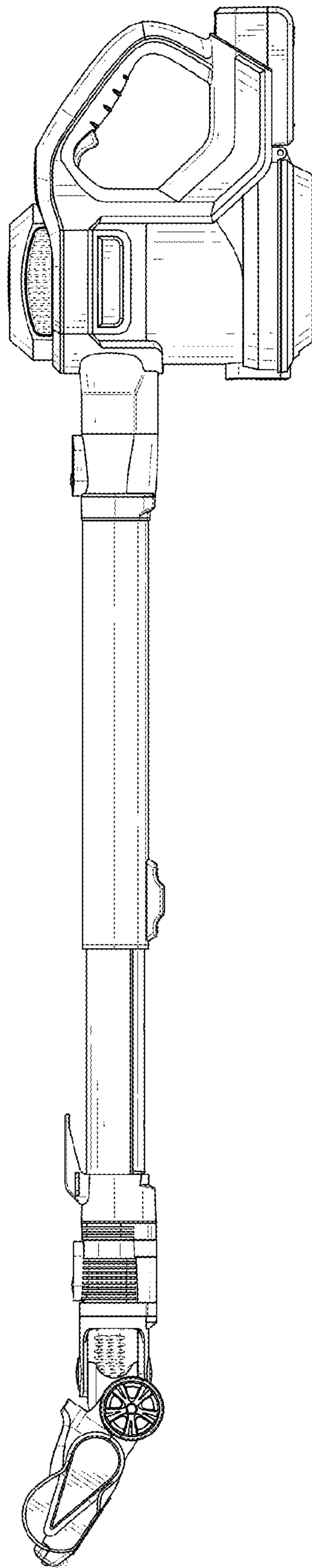


FIG. 6



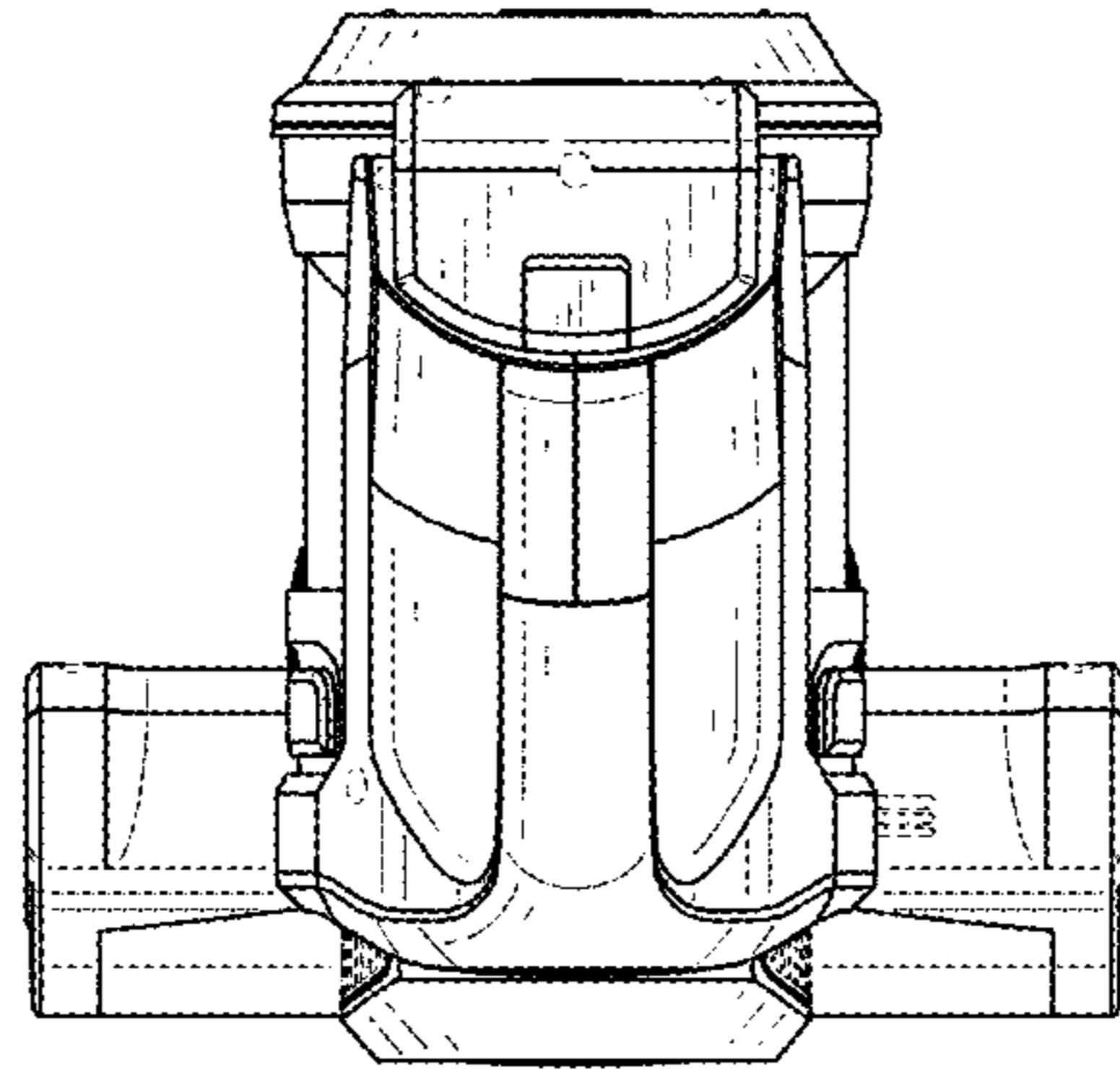


FIG. 7

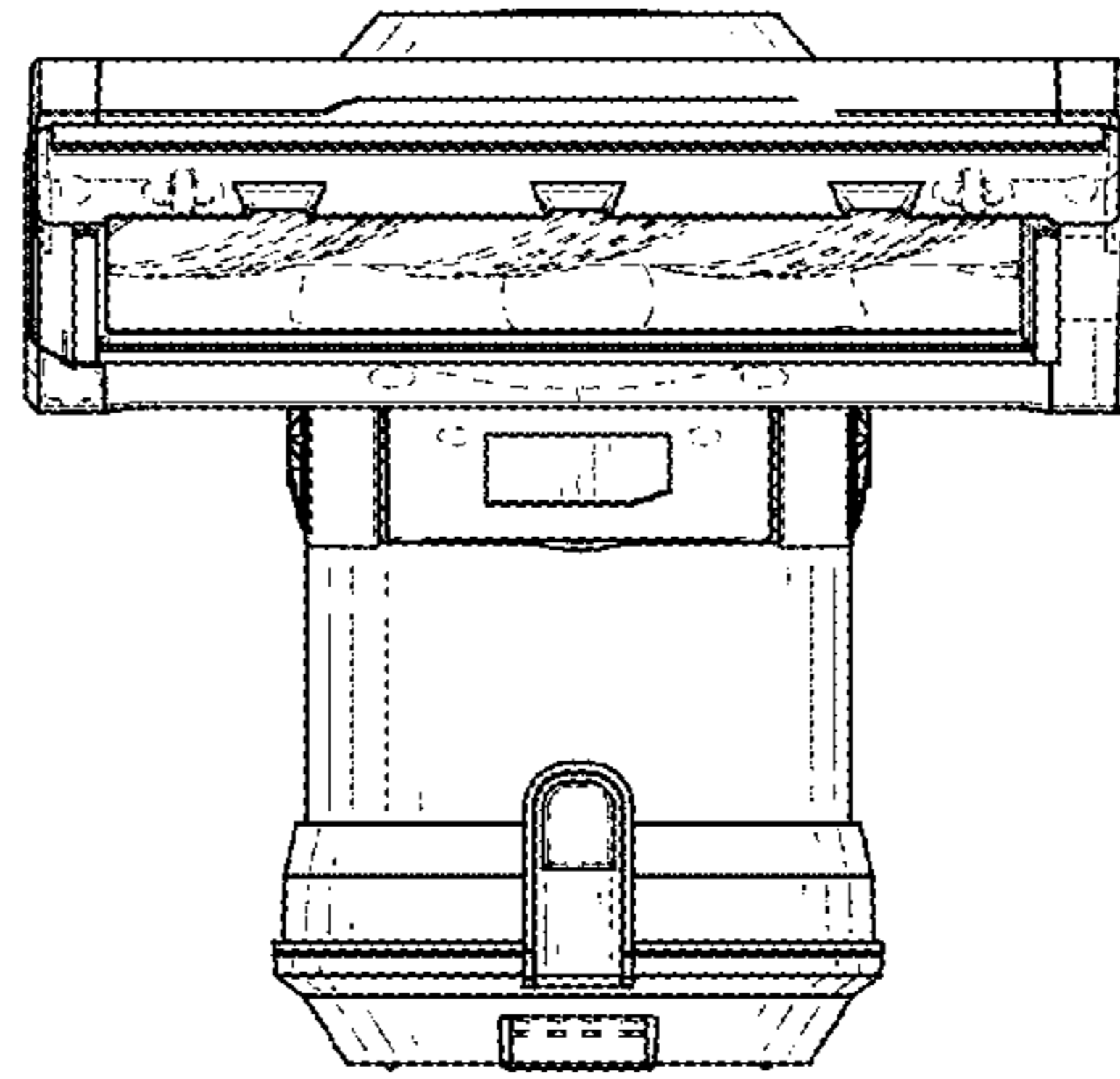


FIG. 8

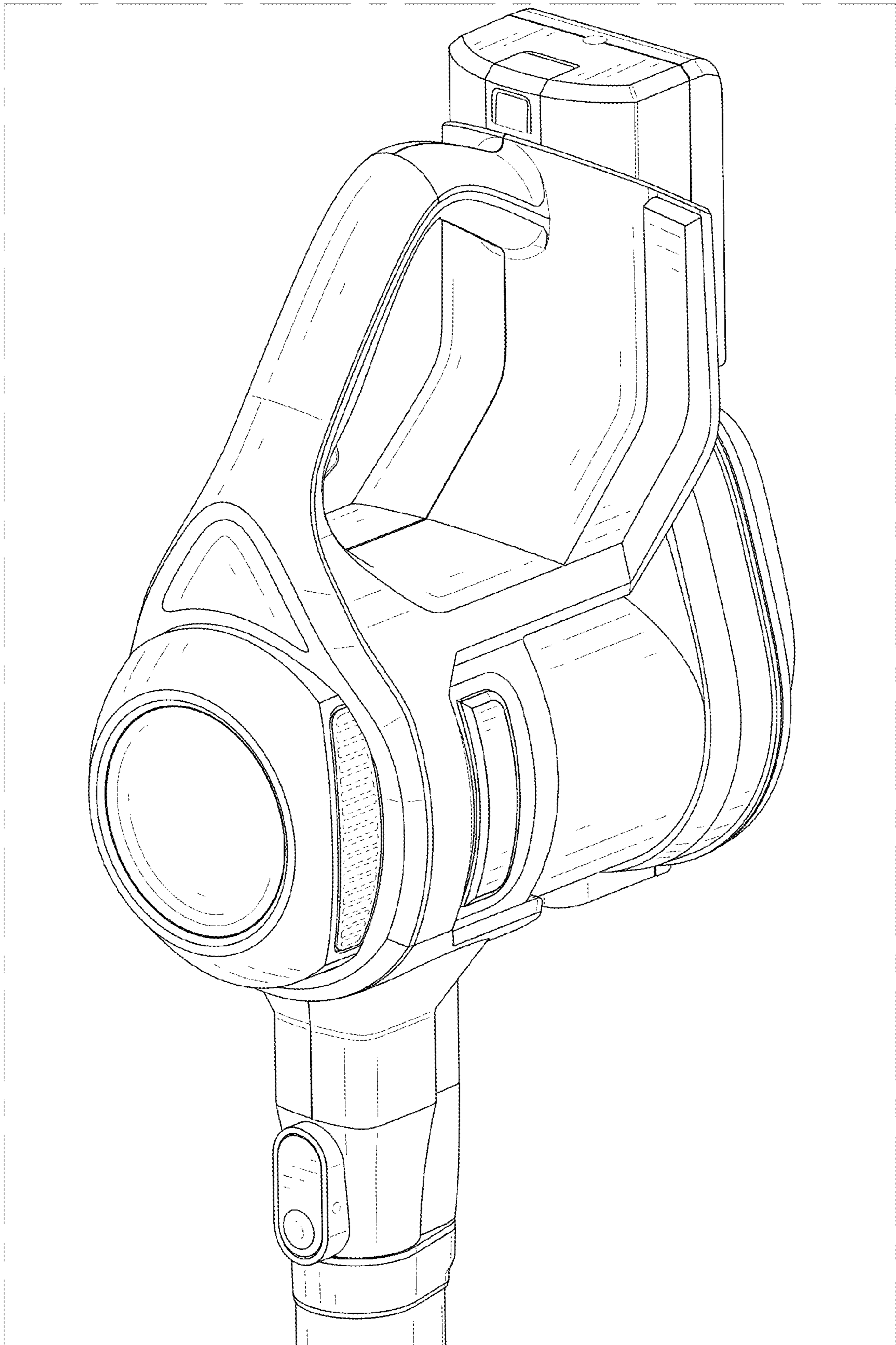


FIG. 9

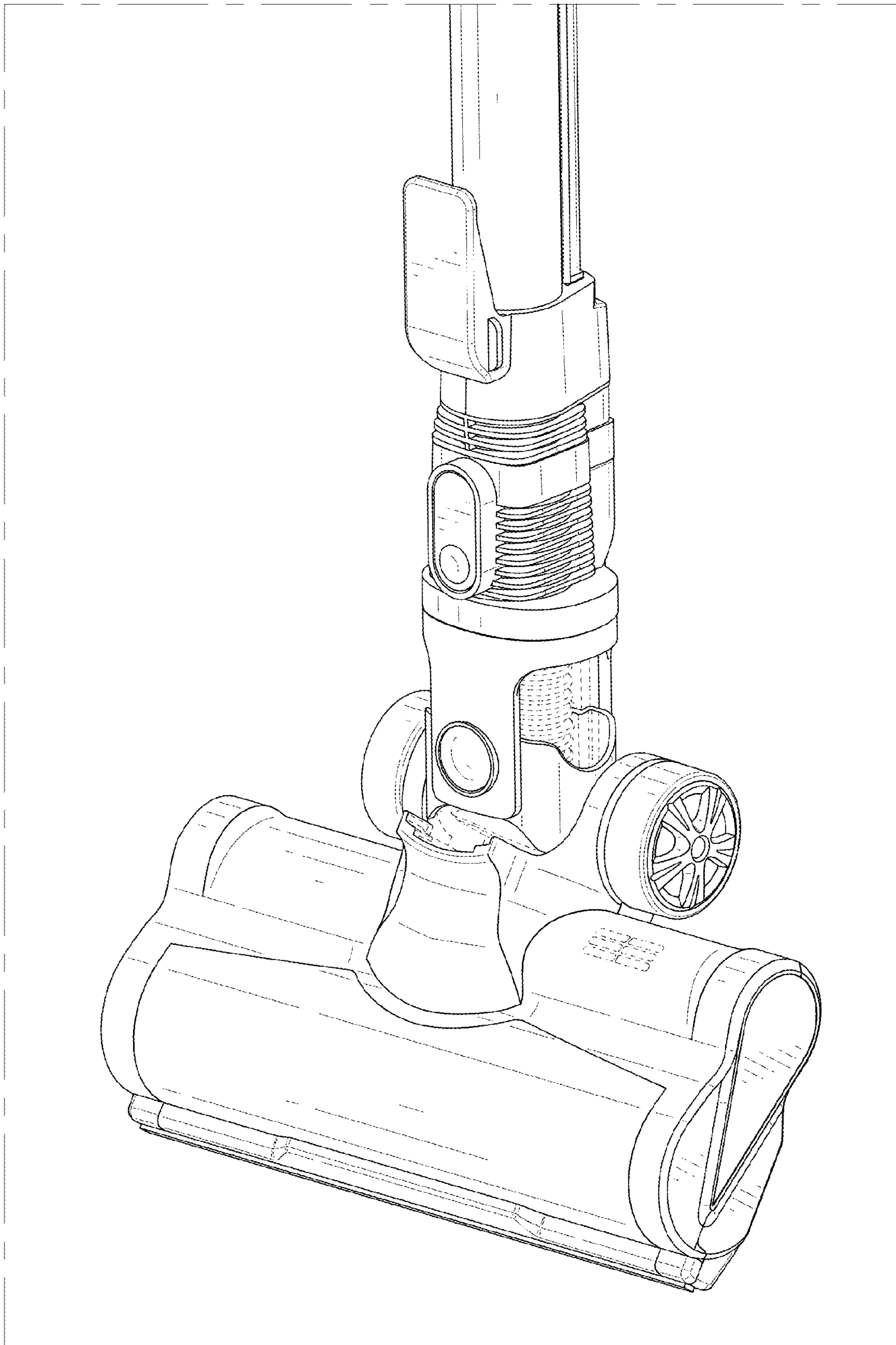


FIG. 10

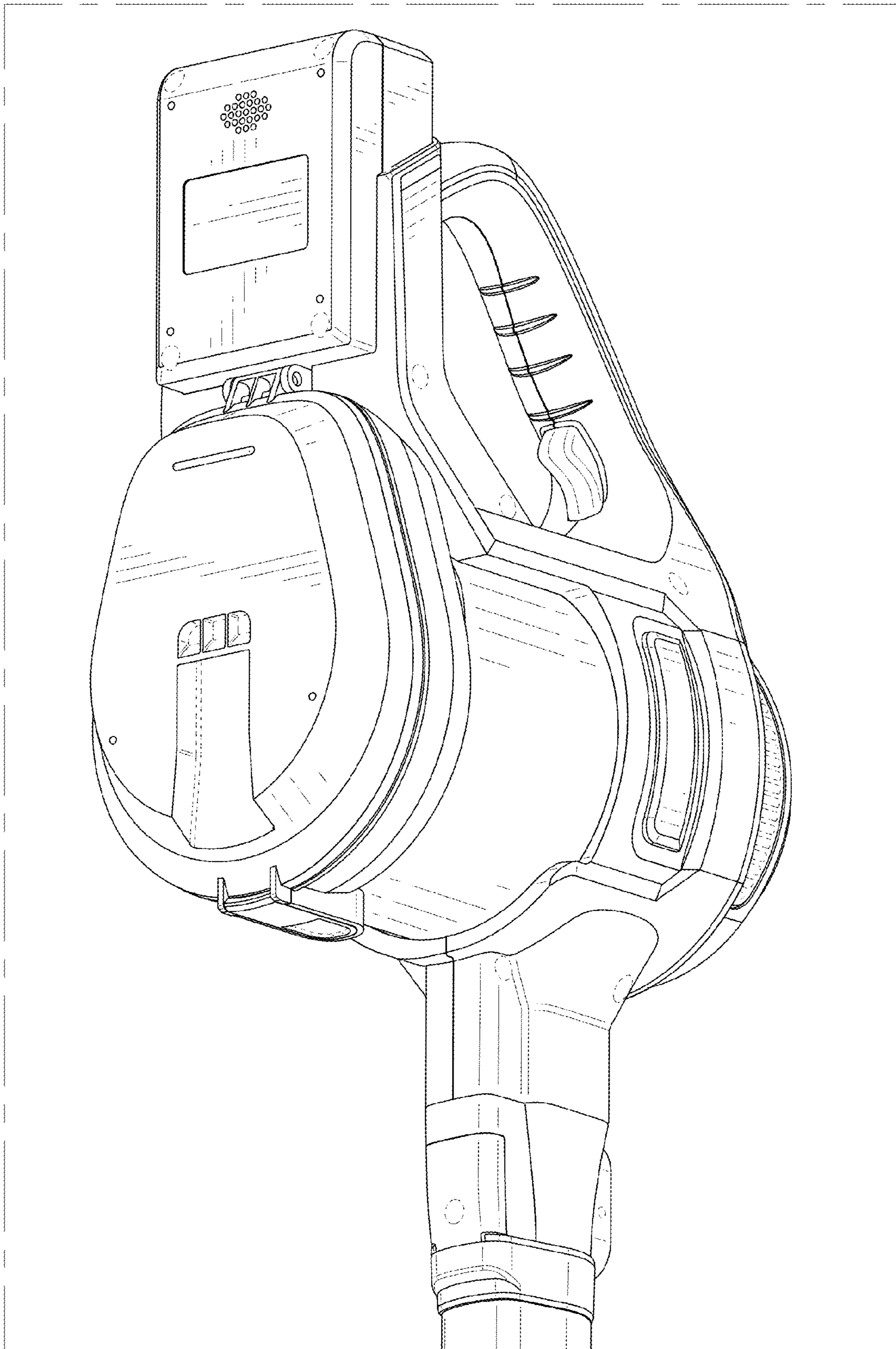


FIG. 11



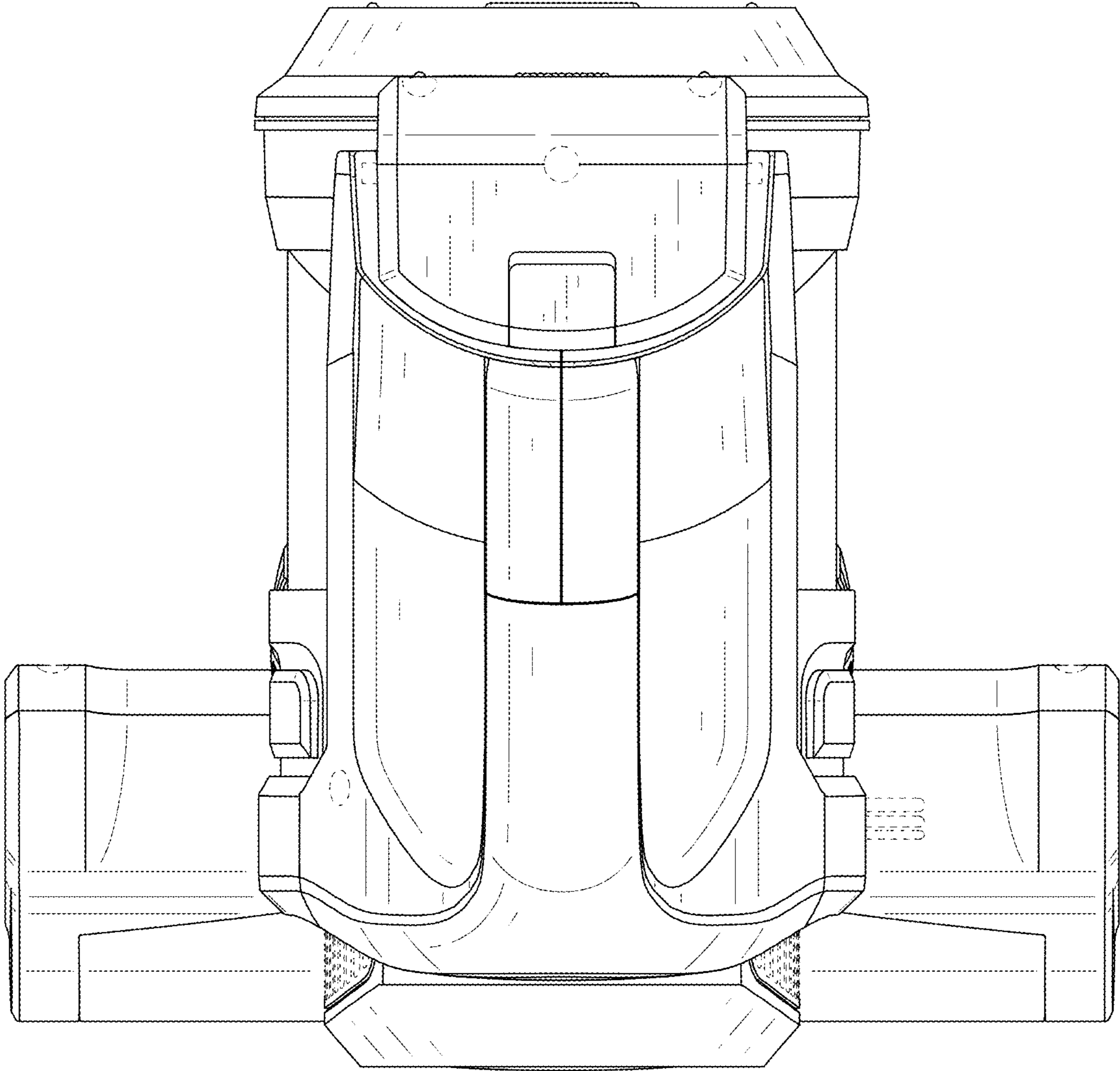


FIG. 12

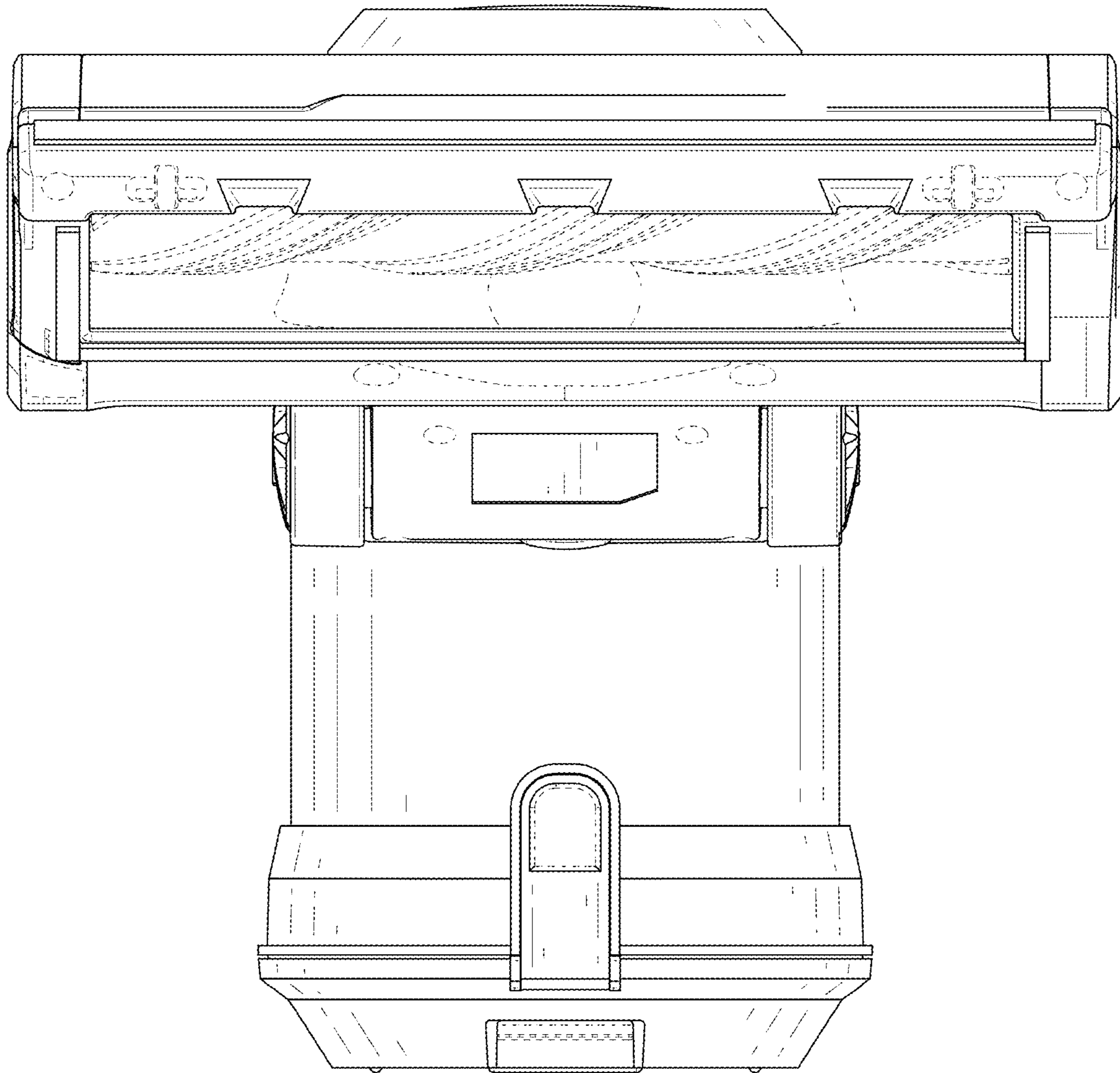


FIG. 13