



US00D905359S

(12) **United States Design Patent**
Sun et al.

(10) **Patent No.:** **US D905,359 S**

(45) **Date of Patent:** **** Dec. 15, 2020**

(54) **PORTABLE DUST COLLECTOR**

(71) Applicant: **MAKITA CORPORATION**, Anjo (JP)

(72) Inventors: **Tianpeng Sun**, Jiangsu (CN); **Shulin Liu**, Jiangsu (CN)

(73) Assignee: **MAKITA CORPORATION**, Anjo (JP)

(**) Term: **15 Years**

(21) Appl. No.: **29/667,062**

(22) Filed: **Oct. 18, 2018**

(30) **Foreign Application Priority Data**

Apr. 19, 2018 (JP) 2018-008677

(51) **LOC (12) Cl.** **15-05**

(52) **U.S. Cl.**
USPC **D32/21**

(58) **Field of Classification Search**

USPC D32/15-25, 29, 31-34
CPC . A47L 9/00; A47L 9/0063; A47L 9/32; A47L 9/322; A47L 11/00; A47L 11/22; A47L 11/24; A47L 11/32; A47L 11/4075; A47L 11/4094; A47L 11/20; A47L 11/40; A47L 5/24; A47L 5/28; A47L 7/02; A47L 5/225; A47L 5/36; A47L 9/0018; A47L

(Continued)

(56) **References Cited**

U.S. PATENT DOCUMENTS

D173,441 S * 11/1954 Lambert D32/24
D183,192 S * 7/1958 Andersson-Sason et al.
D32/24
D386,842 S * 11/1997 Hoshino D32/21
(Continued)

FOREIGN PATENT DOCUMENTS

JP 1398421 S 10/2010

OTHER PUBLICATIONS

New Makita Wet/Dry Cordless Dust Extractor (on-line), dated Nov. 28, 2018. Retrieved from Internet Jun. 16, 2020, URL: <https://www.youtube.com/watch?v=g6VtP-rGpzg> (1 page) (Year: 2018).*

Primary Examiner — Kimberly Barnes

(74) *Attorney, Agent, or Firm* — Global IP Counselors, LLP

(57) **CLAIM**

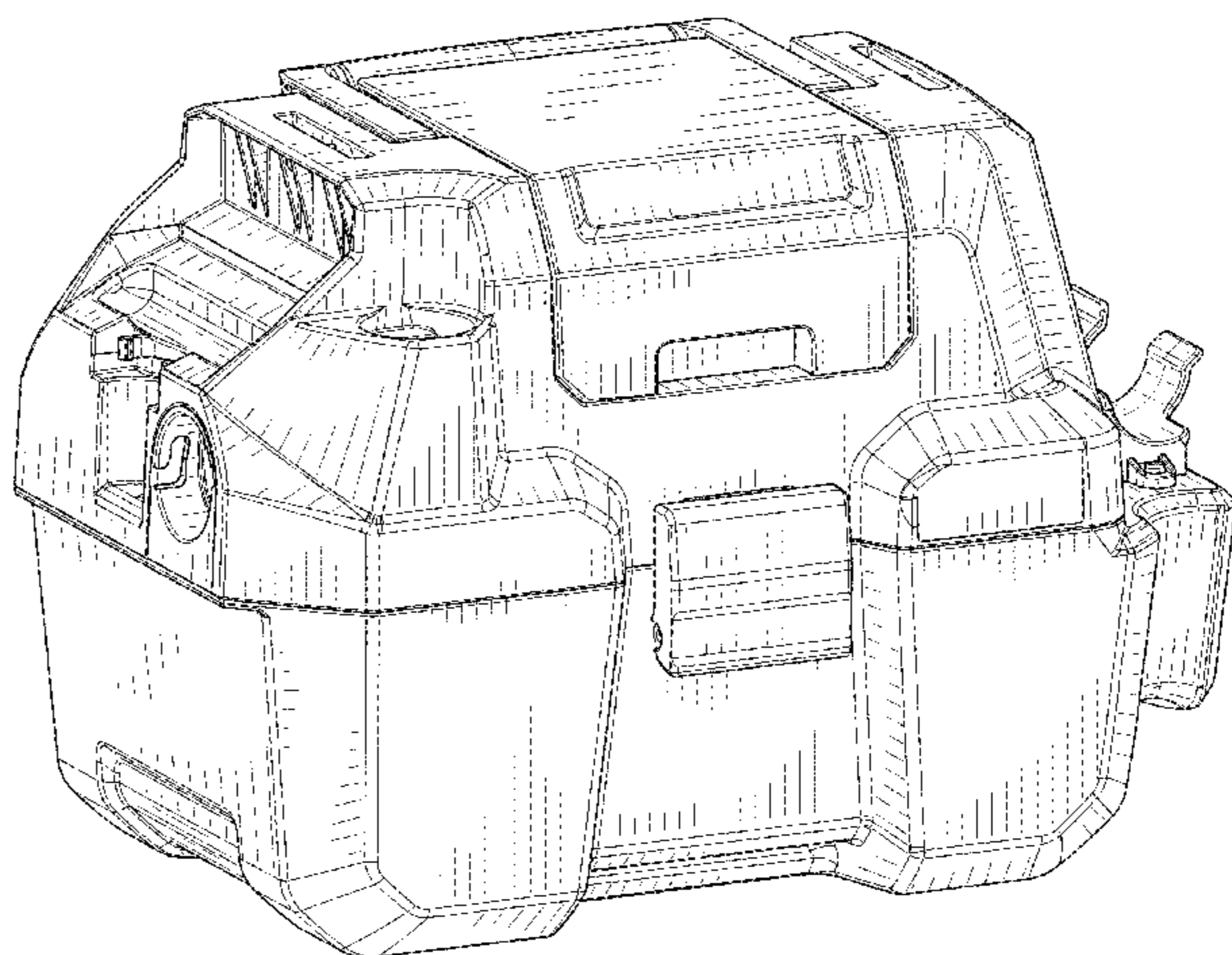
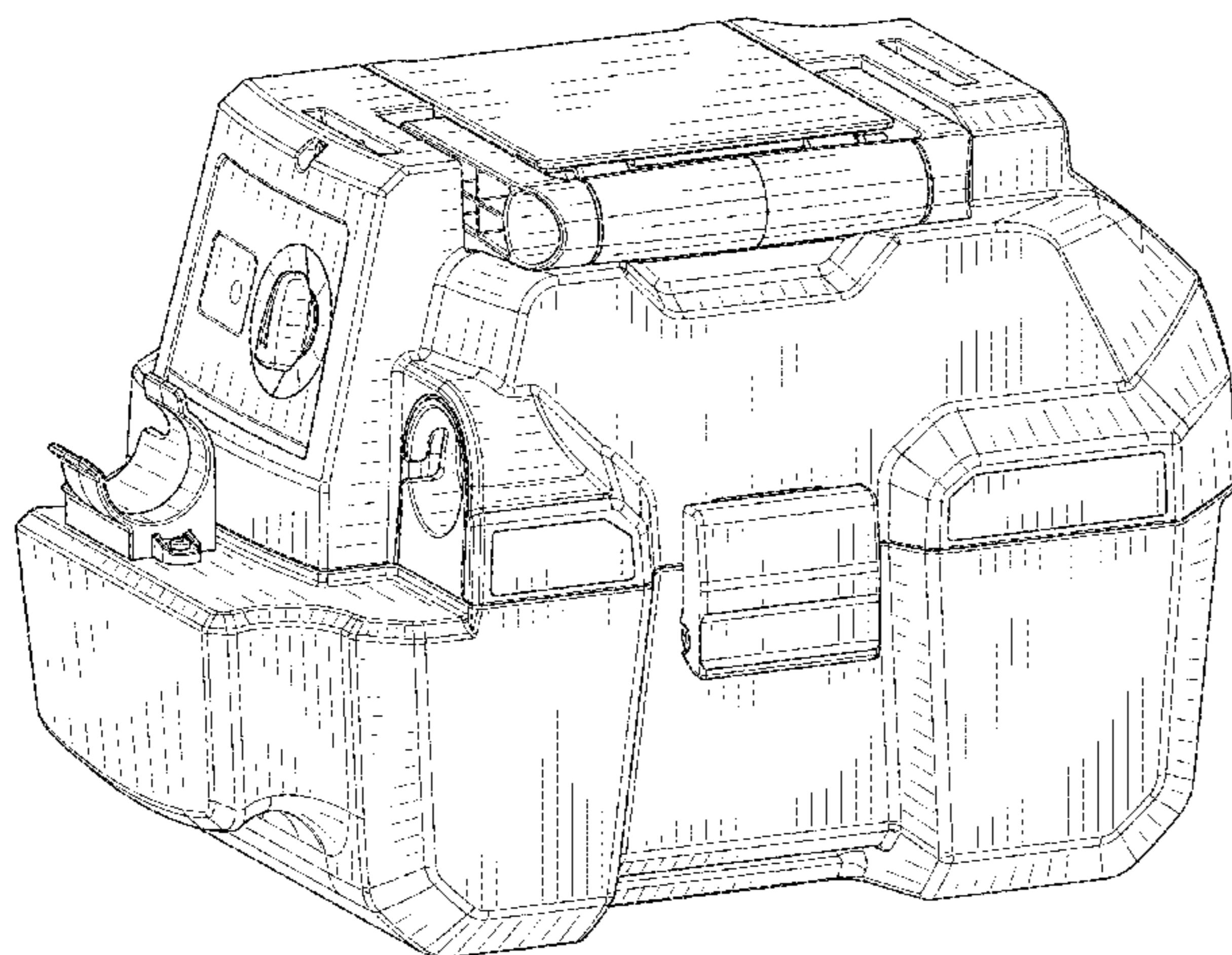
The ornamental design for a portable dust collector, as shown and described.

DESCRIPTION

FIG. 1 is a front perspective view of a portable dust collector in accordance with our new design;
FIG. 2 is a rear perspective view of the portable dust collector in accordance with our new design;
FIG. 3 is a front elevational view of the portable dust collector in accordance with our new design;
FIG. 4 is a rear elevational view of the portable dust collector in accordance with our new design;
FIG. 5 is a top plan view of the portable dust collector in accordance with our new design;
FIG. 6 is a bottom plan view of the portable dust collector in accordance with our new design;
FIG. 7 is a right side elevational view of the portable dust collector in accordance with our new design;
FIG. 8 is a left side elevational view of the portable dust collector in accordance with our new design; and,
FIG. 9 is a front perspective view of the portable dust collector in accordance with our new design showing when a hose and a nozzle are attached to the portable dust collector.

The broken lines in FIGS. 5-8 depict portions of the portable dust collector that form no part of the claimed design. The broken lines in FIG. 9 depict environmental structures that form no part of the claimed design.

1 Claim, 9 Drawing Sheets



(58) **Field of Classification Search**

CPC 5/32; A47L 9/0488; A47L 7/0004; A47L
7/0023; A47L 9/0027; A47L 9/0036

See application file for complete search history.

(56) **References Cited**

U.S. PATENT DOCUMENTS

D558,410 S * 12/2007 Hill D32/21
D581,608 S * 11/2008 Dammkoehler D32/21
D596,359 S * 7/2009 Hollis D32/21
D619,770 S * 7/2010 Moore, Jr. D32/24
D633,665 S * 3/2011 Dammkoehler D32/21
D636,547 S * 4/2011 Moore, Jr. D32/24
D647,261 S * 10/2011 Schultz D32/18
D655,874 S * 3/2012 Dammkoehler D32/24
8,533,906 B2 * 9/2013 Liu A47L 9/248
15/413
8,689,395 B2 * 4/2014 Conrad A47L 9/0036
15/323
D715,505 S * 10/2014 Dammkoehler D32/21
8,973,196 B2 * 3/2015 Tomasiak A47L 7/0028
15/3
D743,648 S * 11/2015 Imsand D32/21
D746,523 S * 12/2015 Jin D32/21
D749,284 S * 2/2016 Renner D32/25
9,980,618 B2 * 5/2018 Koura A47L 5/365
D842,560 S * 3/2019 Tschopp D32/21
10,448,797 B2 * 10/2019 Gregorich A47L 9/127
D876,734 S * 2/2020 Chen D32/21
D880,087 S * 3/2020 Knight D32/24
2019/0380549 A1 * 12/2019 Liu B01D 46/2411

* cited by examiner

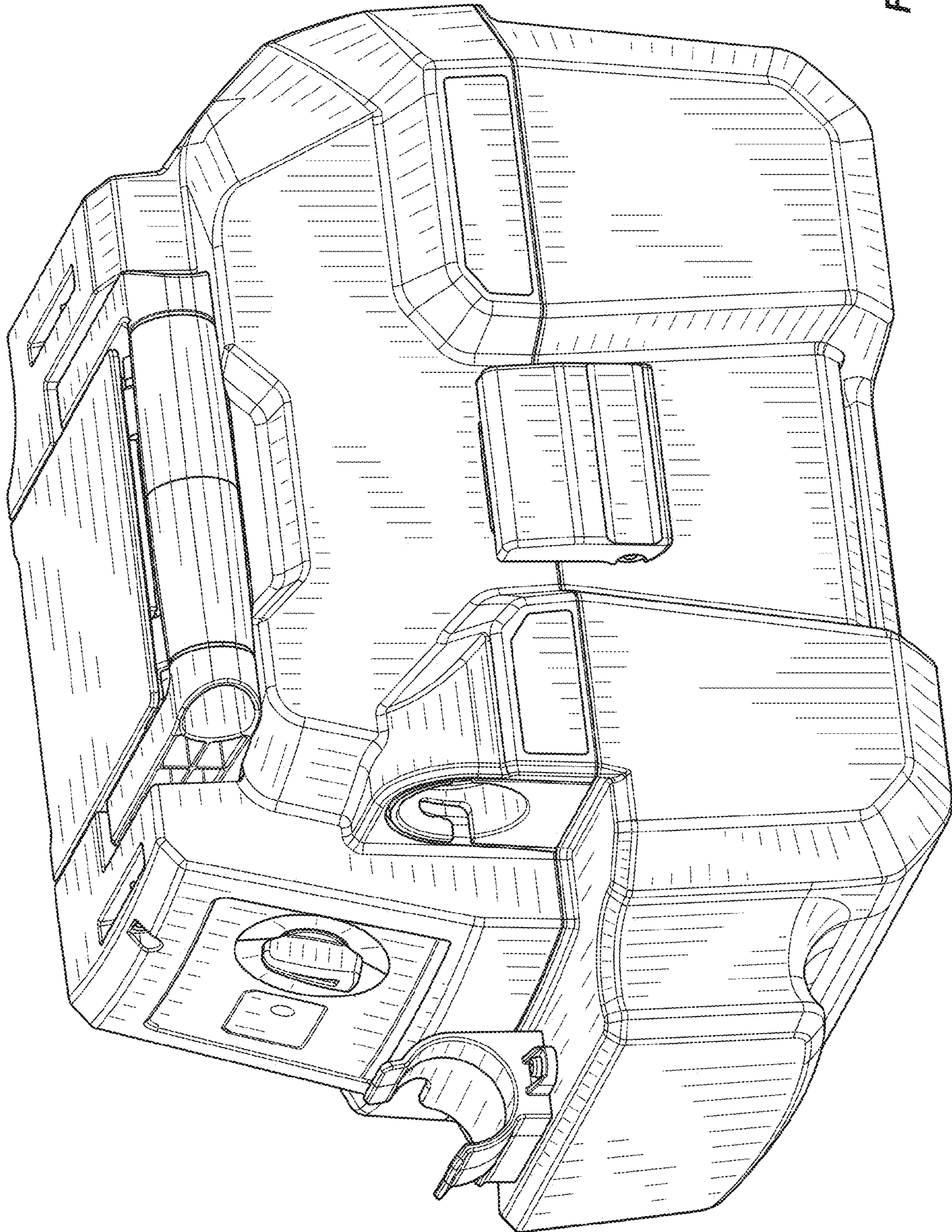


FIG. 1

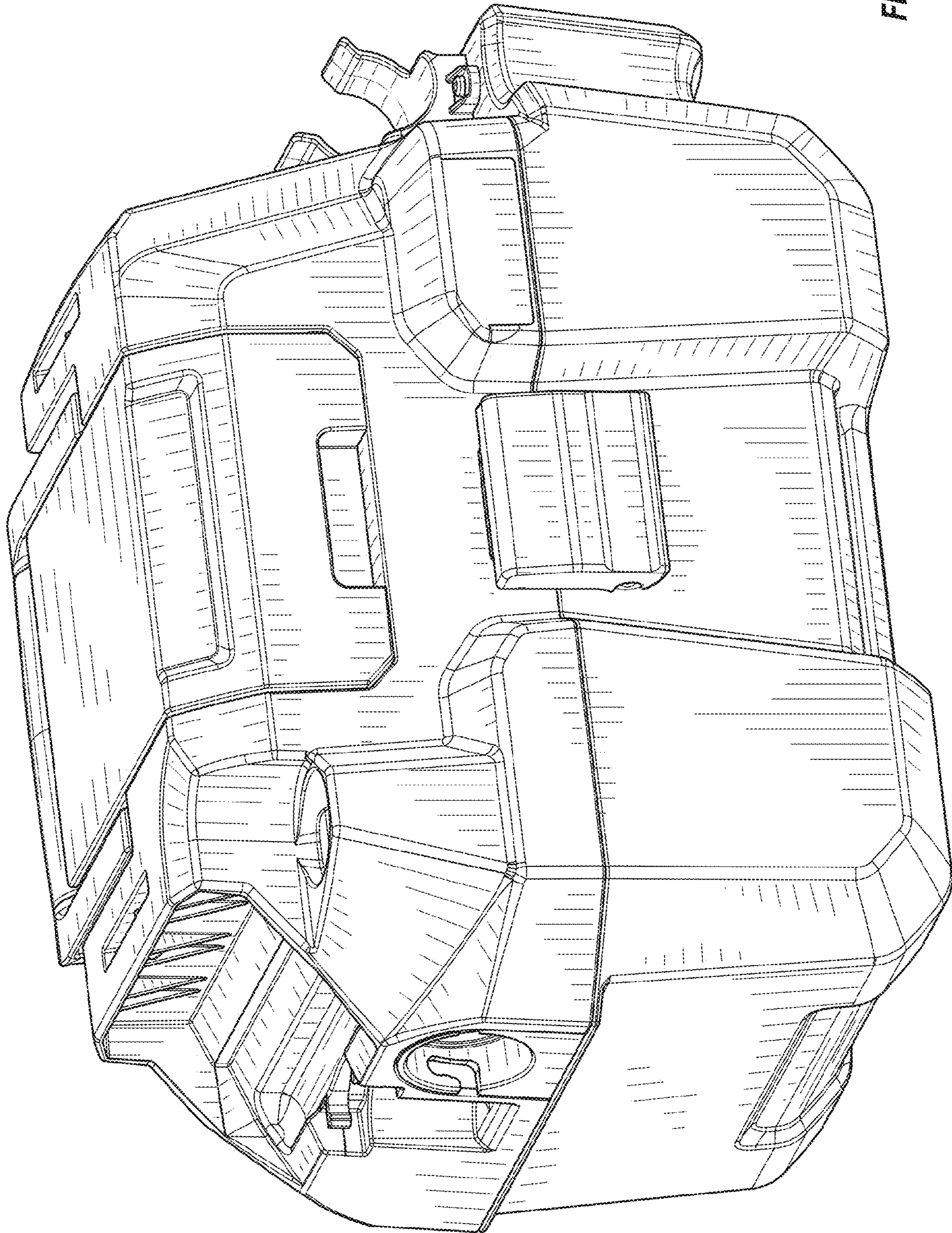


FIG. 2

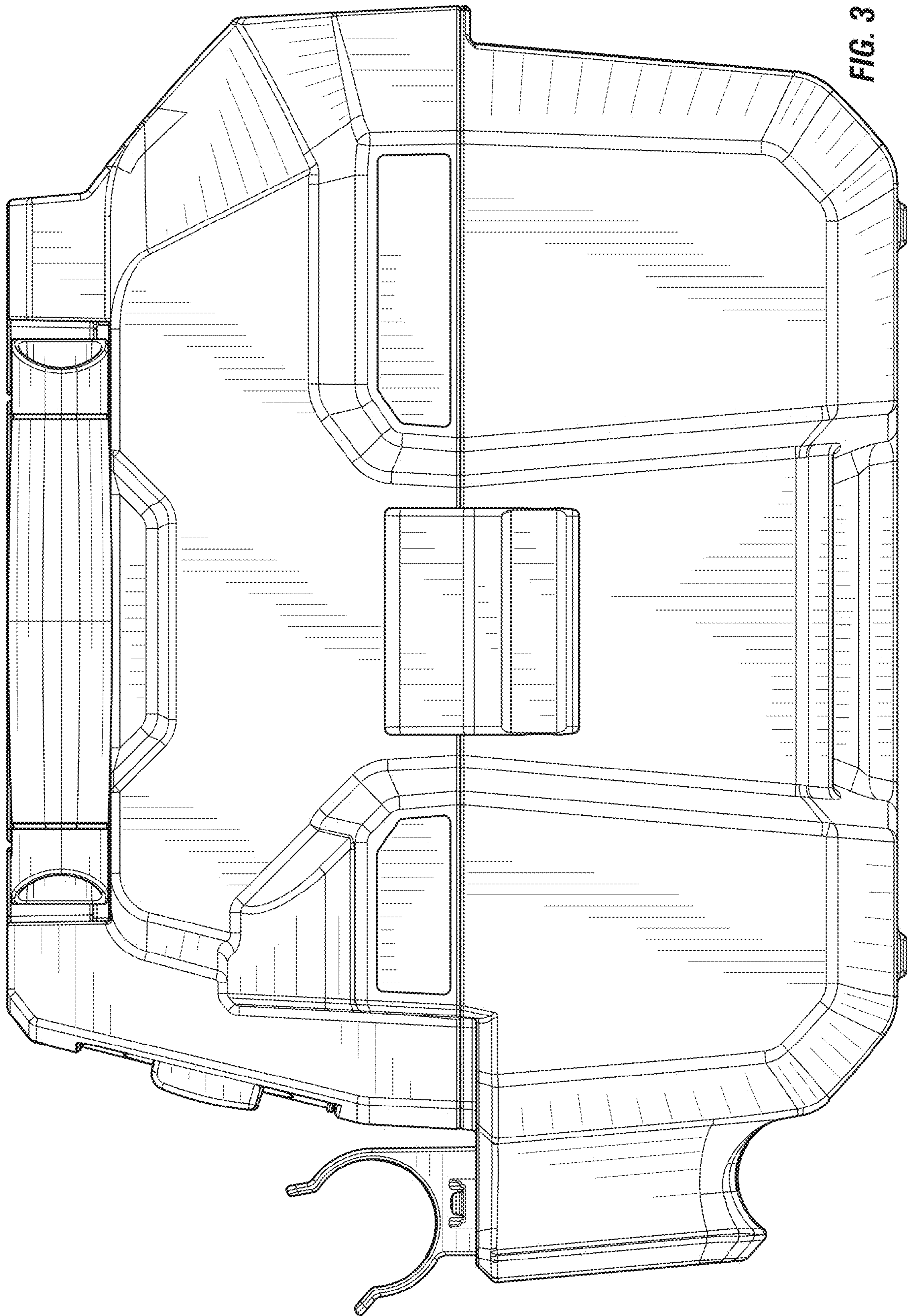


FIG. 3

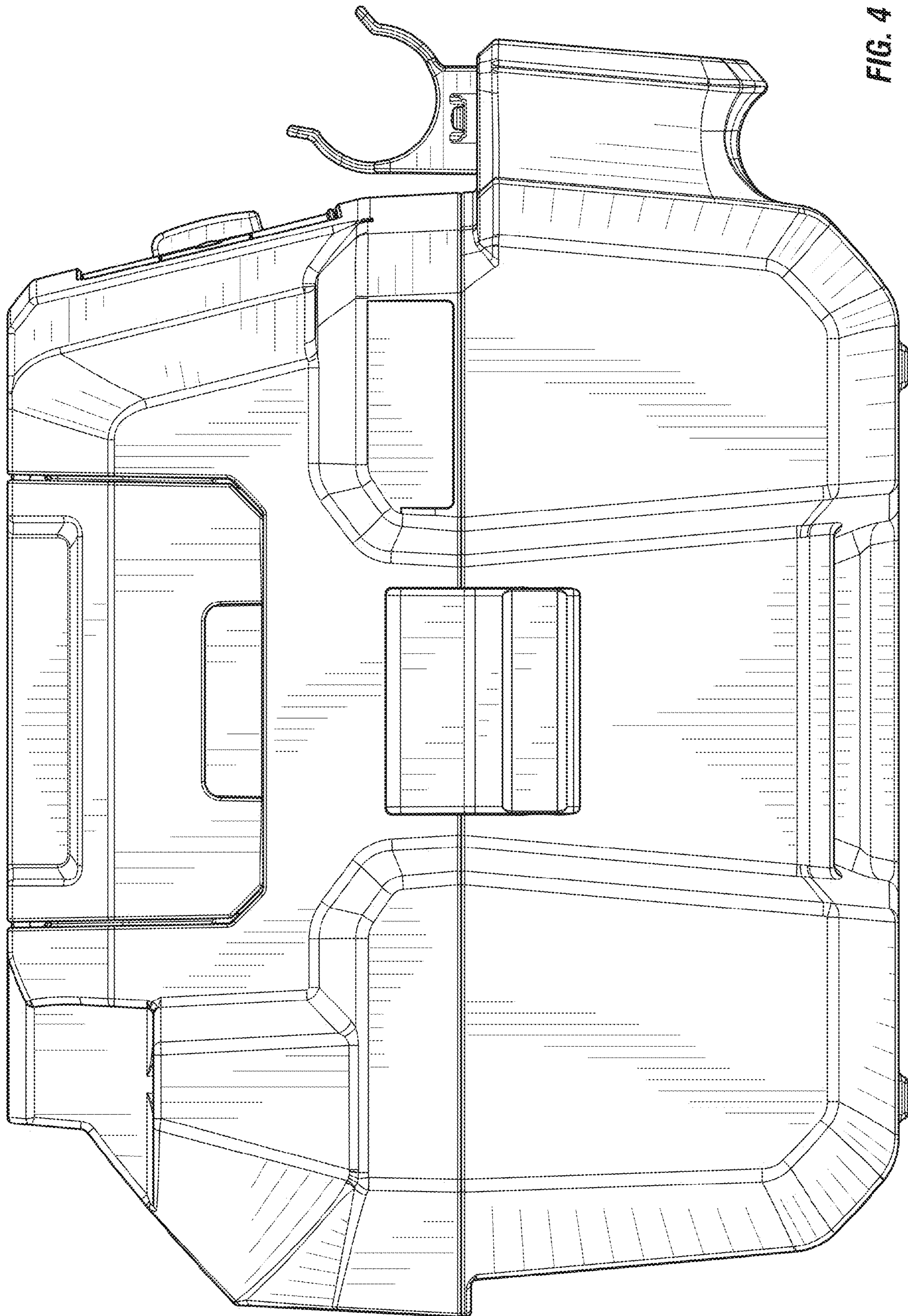


FIG. 4

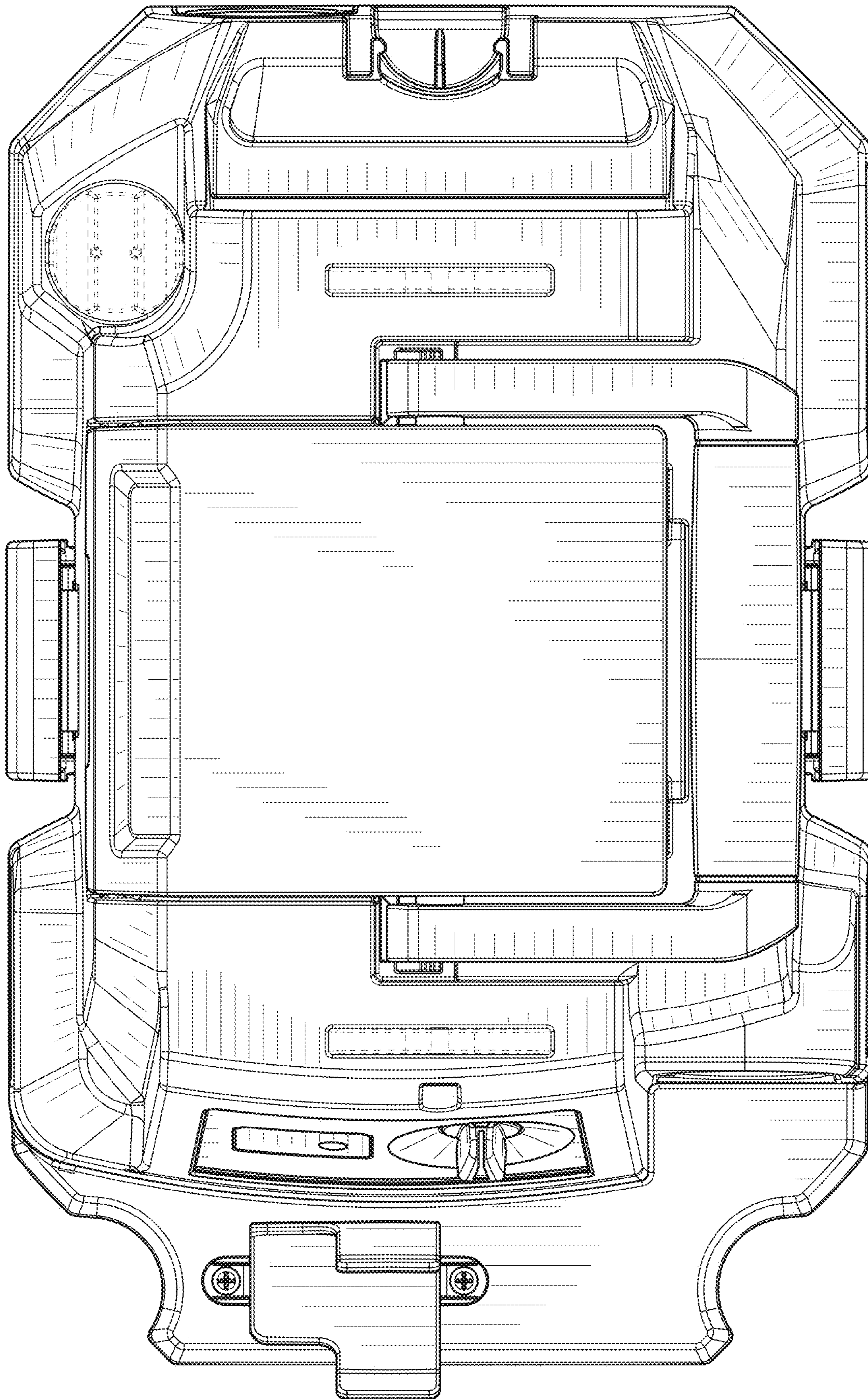


FIG. 5

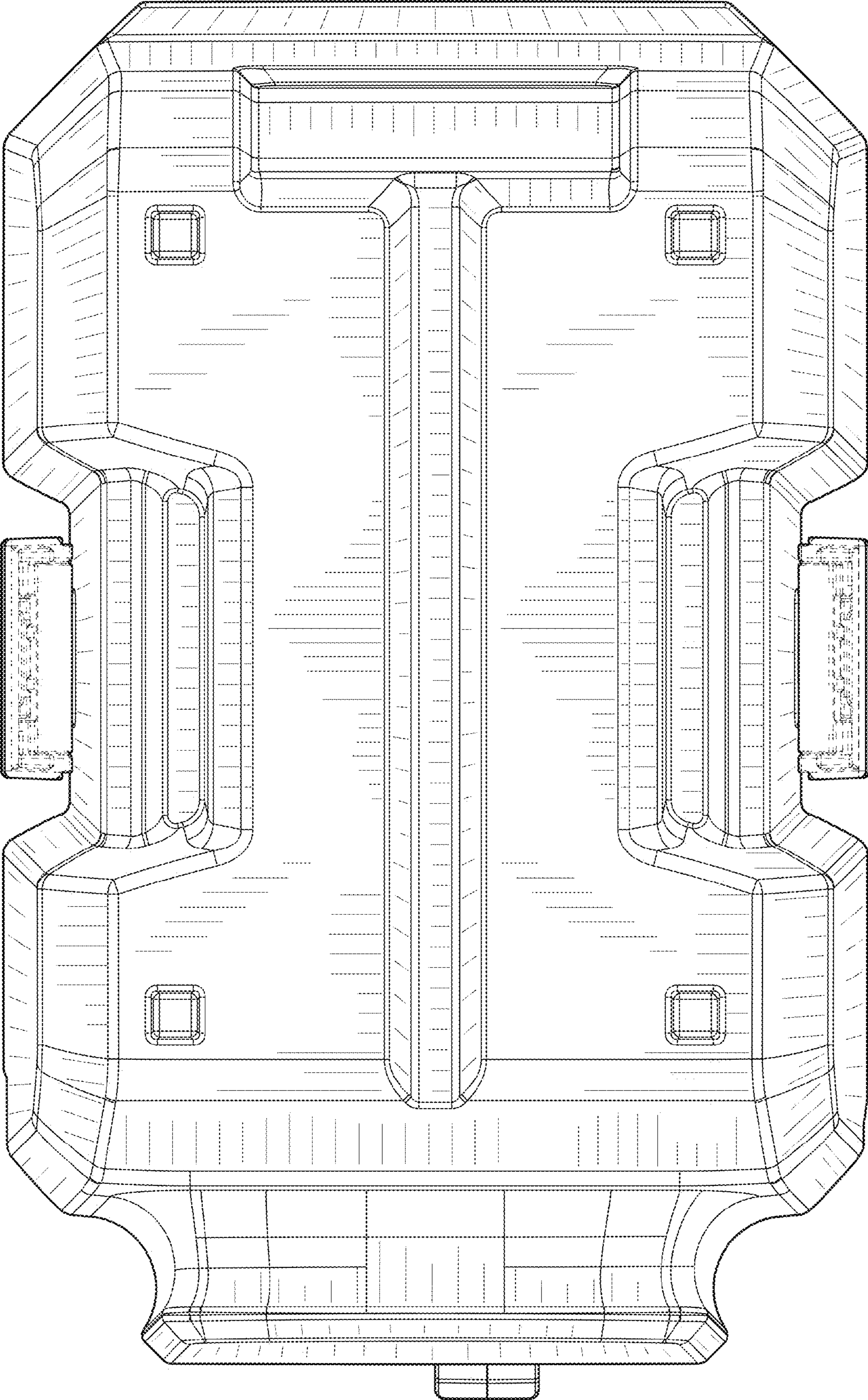


FIG. 6

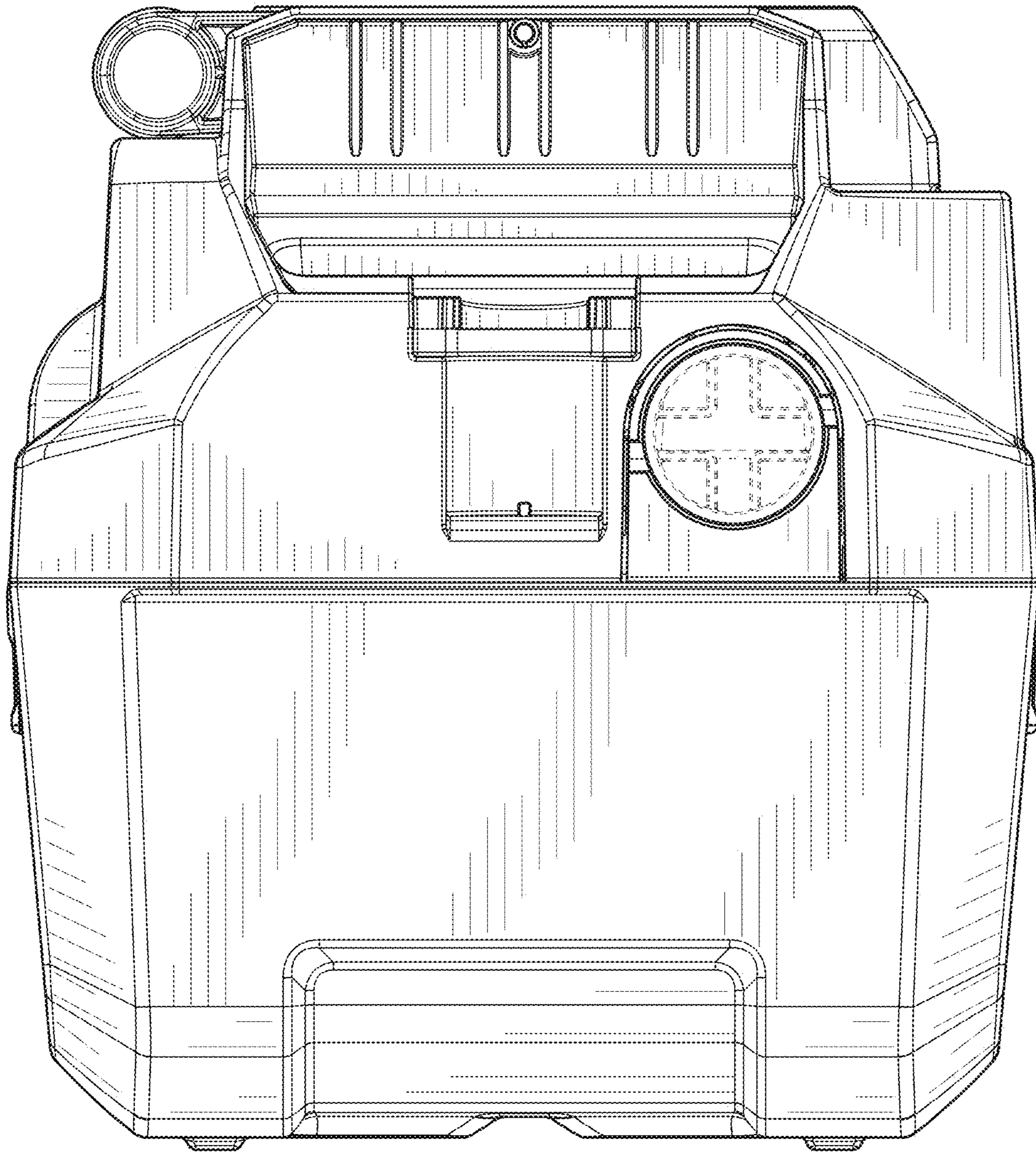


FIG. 7

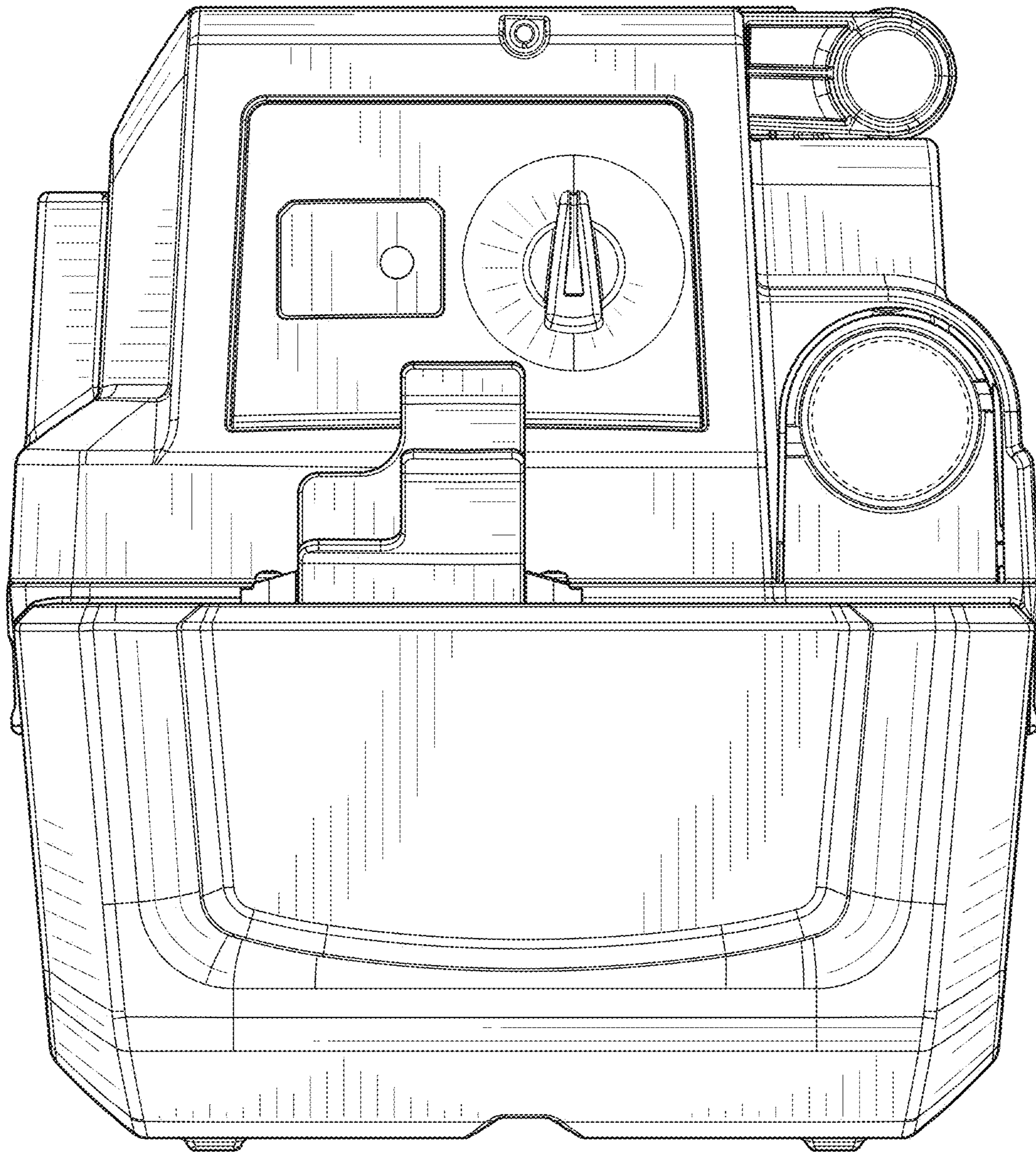


FIG. 8

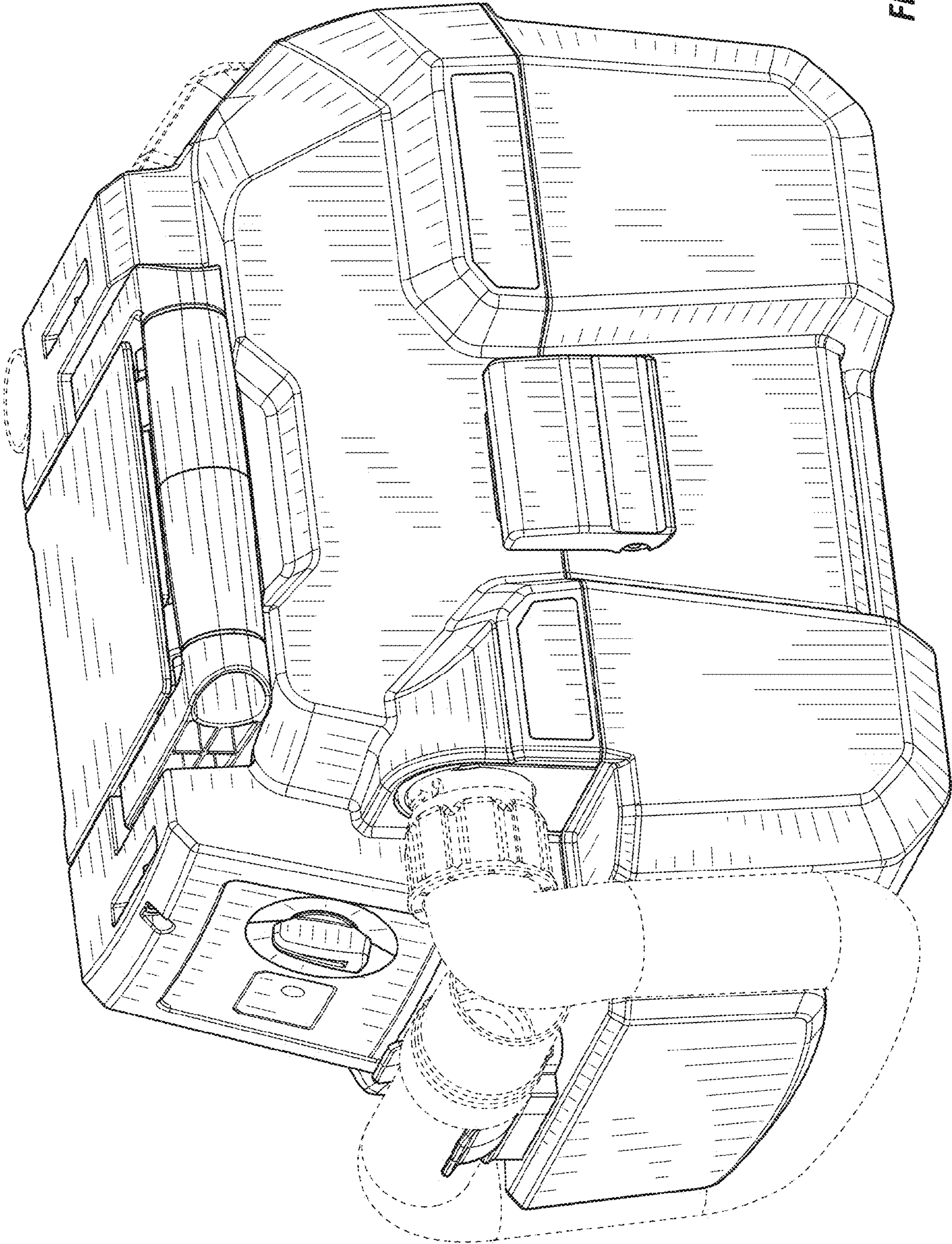


FIG. 9