



US00D905358S

(12) **United States Design Patent**
Suzuki et al.

(10) **Patent No.:** **US D905,358 S**
(45) **Date of Patent:** **** Dec. 15, 2020**

(54) **ELECTRIC VACUUM CLEANER**

(71) Applicant: **MAKITA CORPORATION**, Anjo (JP)

(72) Inventors: **Wataru Suzuki**, Anjo (JP); **Akinori Ito**, Anjo (JP)

(73) Assignee: **MAKITA CORPORATION**, Anjo (JP)

(**) Term: **15 Years**

(21) Appl. No.: **29/637,727**

(22) Filed: **Feb. 21, 2018**

(30) **Foreign Application Priority Data**

Aug. 23, 2017 (JP) 2017-018072
Dec. 8, 2017 (JP) 2017-027501

(51) **LOC (12) Cl.** **15-05**

(52) **U.S. Cl.**
USPC **D32/21**

(58) **Field of Classification Search**
USPC D32/15-25, 29, 31-34
CPC . A47L 9/00; A47L 9/0063; A47L 9/32; A47L 9/322; A47L 11/00; A47L 11/22; A47L 11/24; A47L 11/32; A47L 11/4075; A47L 11/4094; A47L 11/20; A47L 11/40; A47L 5/24; A47L 5/28; A47L 7/02; A47L 5/225; A47L 5/36; A47L 9/0018; A47L
(Continued)

(56) **References Cited**

U.S. PATENT DOCUMENTS

D173,441 S * 11/1954 Lambert D32/24
D183,192 S * 7/1958 Anderson-Sason et al. .. D32/24
(Continued)

FOREIGN PATENT DOCUMENTS

JP D1625334 * 2/2019

OTHER PUBLICATIONS

Cordless vacuum cleaner Makita CL121DZ (on-line), no date available. Retrieved from Internet May 28, 2020, URL: <https://www.verkter.com/cordless-vacuum-cleaner-makita-cl121dz-12-v-without-battery-and-charger.html> (2 pages).*

(Continued)

Primary Examiner — Kimberly Y Barnes

(74) *Attorney, Agent, or Firm* — Global IP Counselors, LLP

(57) **CLAIM**

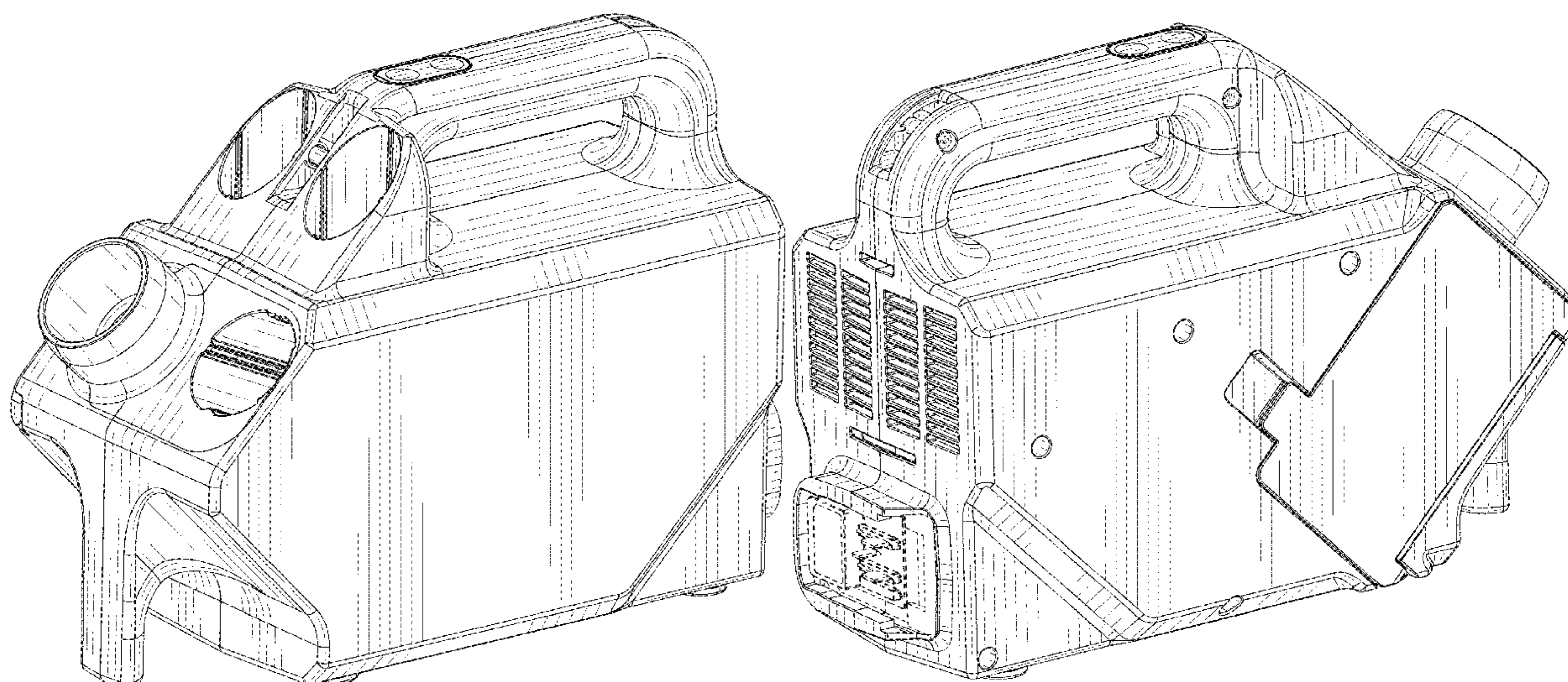
The ornamental design for an electric vacuum cleaner, as shown and described.

DESCRIPTION

FIG. 1 is a front perspective view of an electric vacuum cleaner showing our new design; FIG. 2 is a rear perspective view thereof; FIG. 3 is a front elevational view thereof; FIG. 4 is a rear elevational view thereof; FIG. 5 is a top plan view thereof; FIG. 6 is a bottom plan view thereof; FIG. 7 is a right side elevational view thereof; FIG. 8 is a left side elevational view thereof; FIG. 9 is a front perspective view thereof, showing a rechargeable battery and hose attached to the electric vacuum cleaner and the hose is in an extended state; and, FIG. 10 is a front perspective view of the electric vacuum cleaner thereof, showing a rechargeable battery and hose attached to the electric vacuum cleaner and the hose is in a stowed state.

The broken line showing of a rechargeable battery and hose in FIGS. 9 and 10 depicts environmental subject matter that forms no part of the claimed design. The remaining broken lines in the drawings depict portions of the electric vacuum cleaner that form no part of the claimed design.

1 Claim, 9 Drawing Sheets



(58) **Field of Classification Search**
 CPC 5/32; A47L 9/0488; A47L 7/0004; A47L
 7/0023; A47L 9/0027; A47L 9/0036
 See application file for complete search history.

(56) **References Cited**

U.S. PATENT DOCUMENTS

5,237,720 A * 8/1993 Blase A47L 11/34
 15/321
 D386,842 S * 11/1997 Hoshino D32/21
 5,799,362 A * 9/1998 Huffman A47L 1/08
 15/321
 D558,410 S * 12/2007 Hill D32/21
 D581,608 S * 11/2008 Dammkoehler D32/21
 D596,359 S * 7/2009 Hollis D32/21
 D619,770 S * 7/2010 Moore, Jr. D32/24
 D633,665 S * 3/2011 Dammkoehler D32/21
 D636,547 S * 4/2011 Moore, Jr. D32/24
 D647,261 S * 10/2011 Schultz D32/18
 8,037,572 B2 * 10/2011 Phelan A47L 5/365
 15/327.6
 D655,874 S * 3/2012 Dammkoehler D32/24

D660,527 S 5/2012 Kawase et al.
 8,689,395 B2 * 4/2014 Conrad A47L 9/0036
 15/323
 D715,505 S * 10/2014 Dammkoehler D32/21
 8,973,196 B2 * 3/2015 Tomasiak A47L 7/0028
 15/3
 D743,648 S * 11/2015 Imsand D32/21
 D746,523 S * 12/2015 Jin D32/21
 D749,284 S * 2/2016 Renner D32/25
 9,282,861 B2 * 3/2016 Schultz A47L 9/0018
 D842,560 S * 3/2019 Tschopp D32/21
 10,448,797 B2 * 10/2019 Gregorich A47L 9/127
 D876,734 S * 2/2020 Chen D32/21
 D880,087 S * 3/2020 Knight D32/24

OTHER PUBLICATIONS

Makita LC09A1 12V max CXT (on-line), no date available. Retrieved
 from Internet May 29, 2020, URL: [https://www.toolorbit.com/
 makita-lc09a1-12v-max-cxtr-lithium-ion-compact-cordless-vacuum-
 kit-bag-with-one-battery-2-0ah](https://www.toolorbit.com/makita-lc09a1-12v-max-cxtr-lithium-ion-compact-cordless-vacuum-kit-bag-with-one-battery-2-0ah) (2 pages).*

* cited by examiner

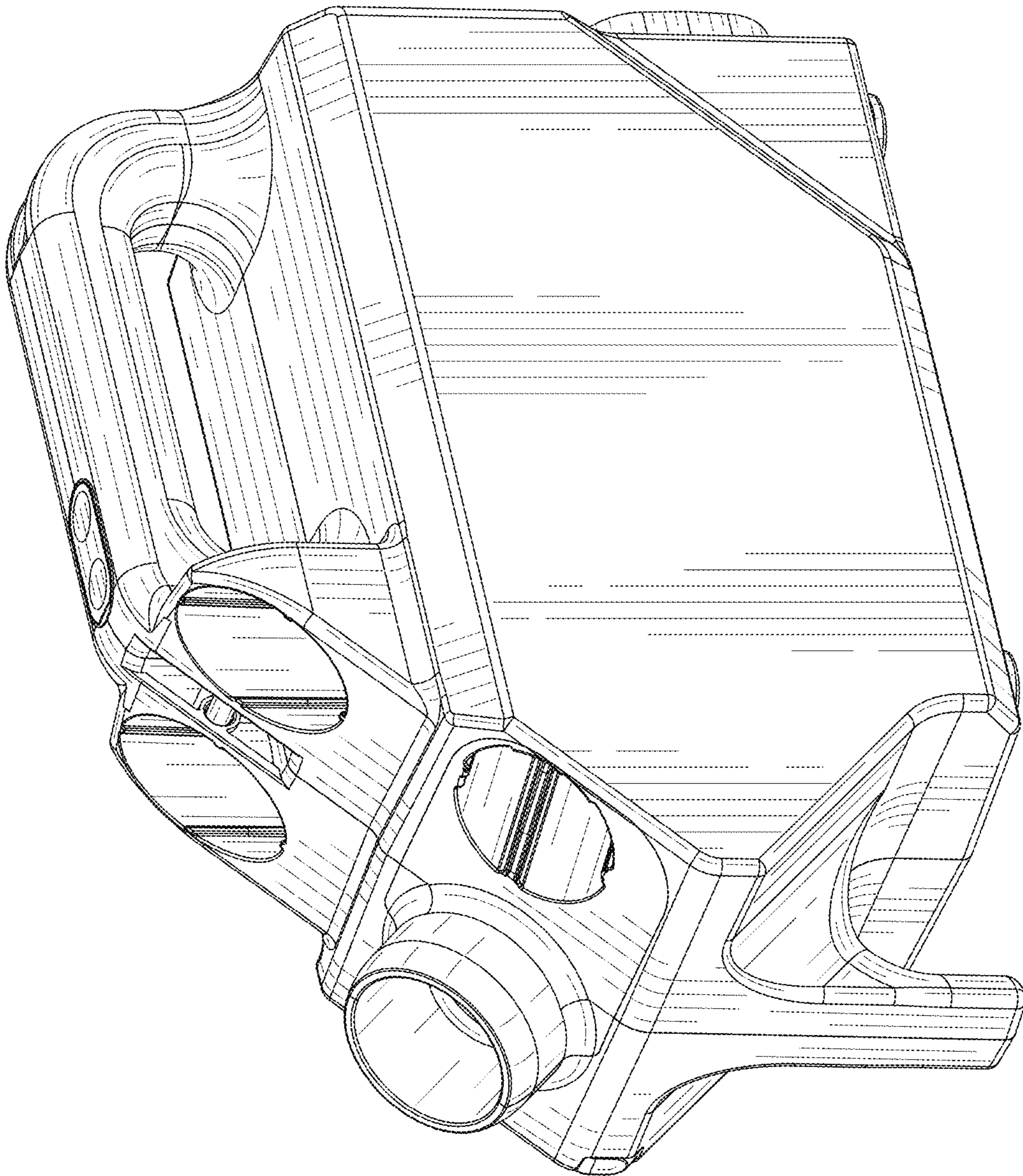


FIG. 1

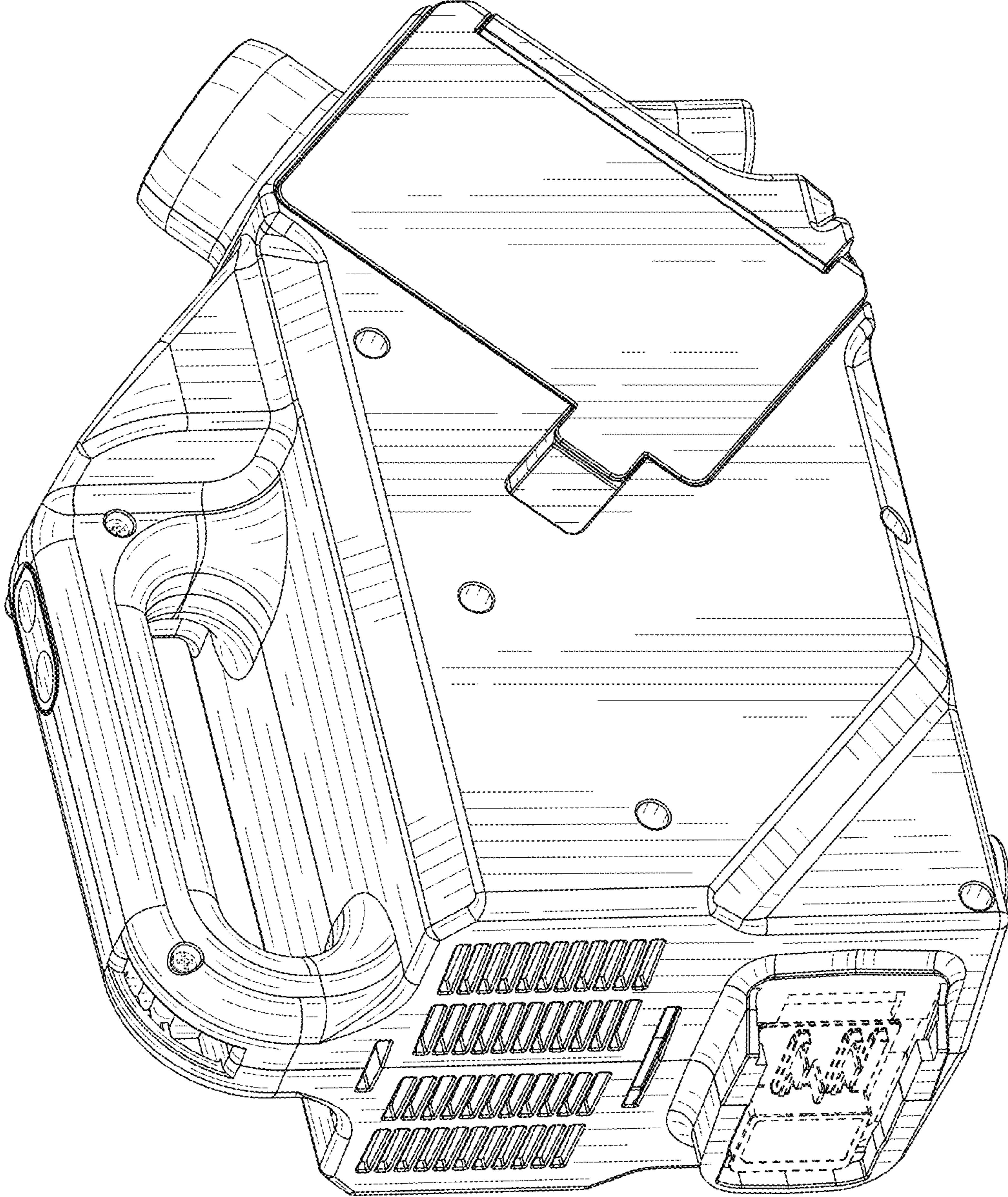


FIG. 2

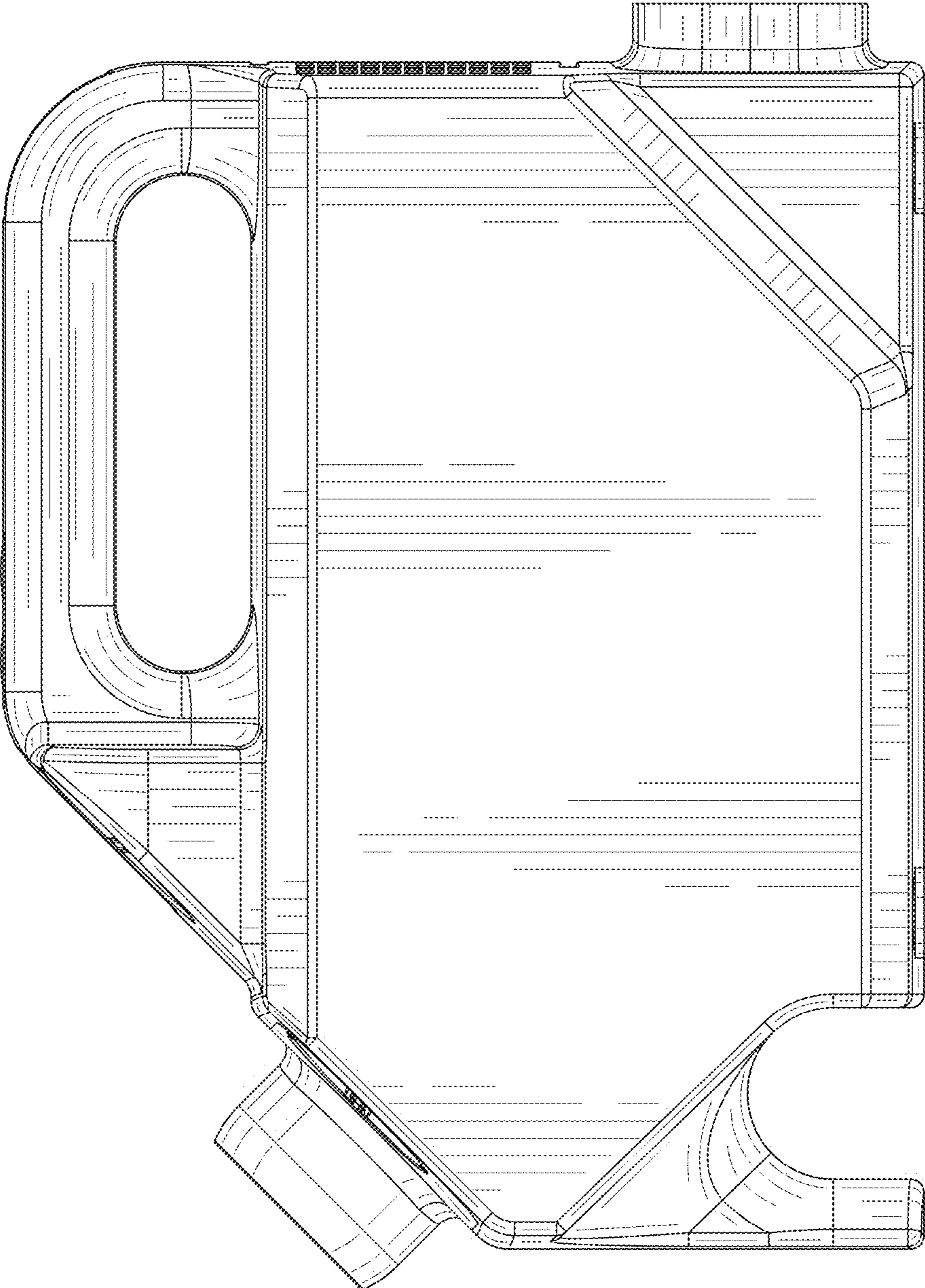


FIG. 3

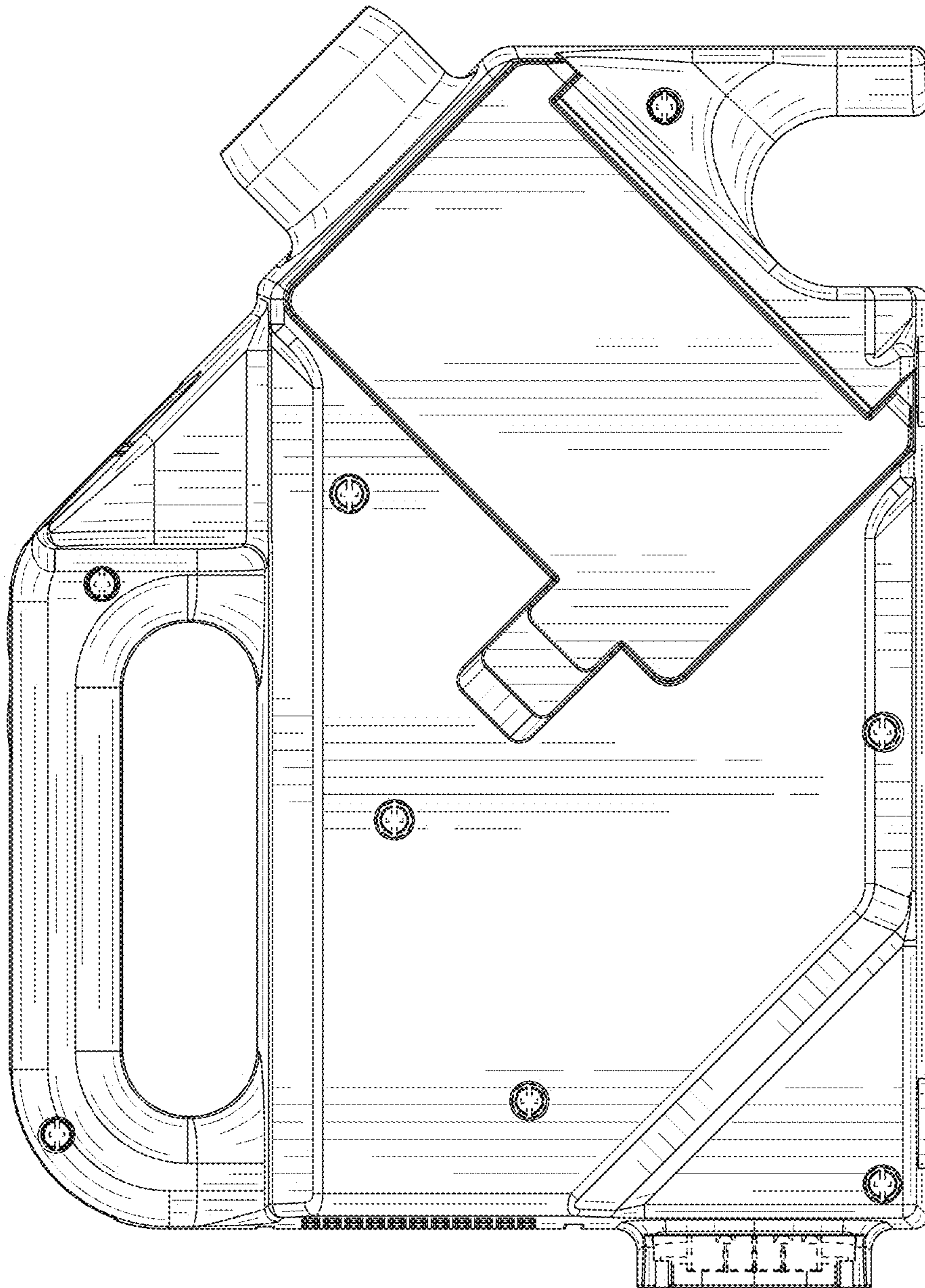


FIG. 4

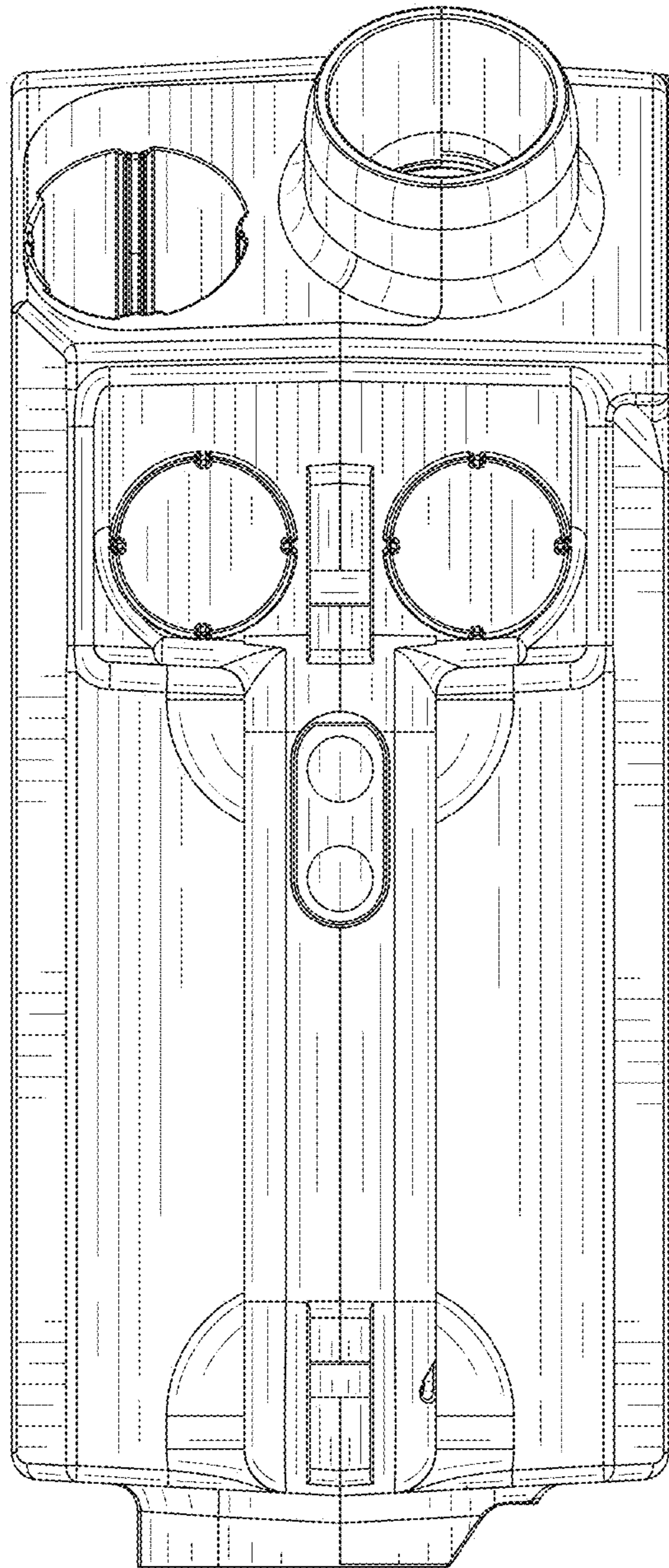


FIG. 5

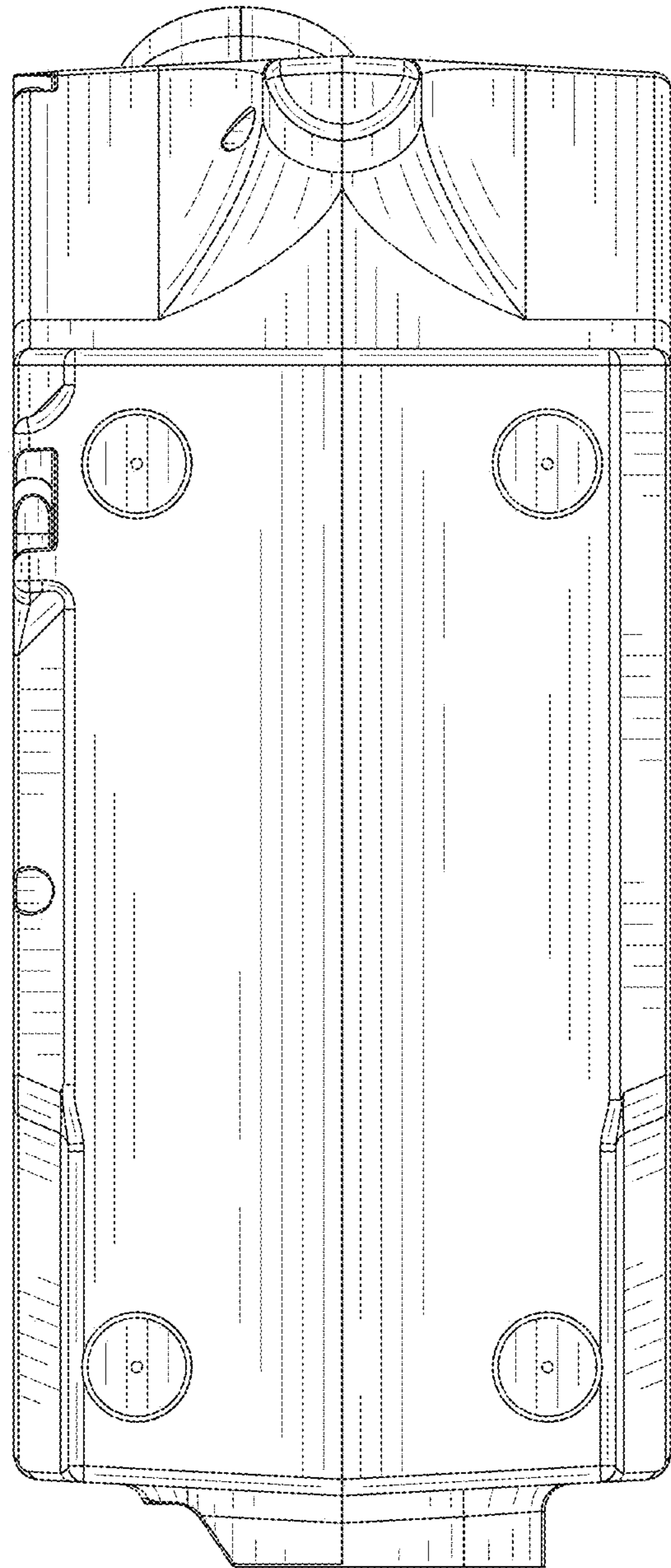


FIG. 6

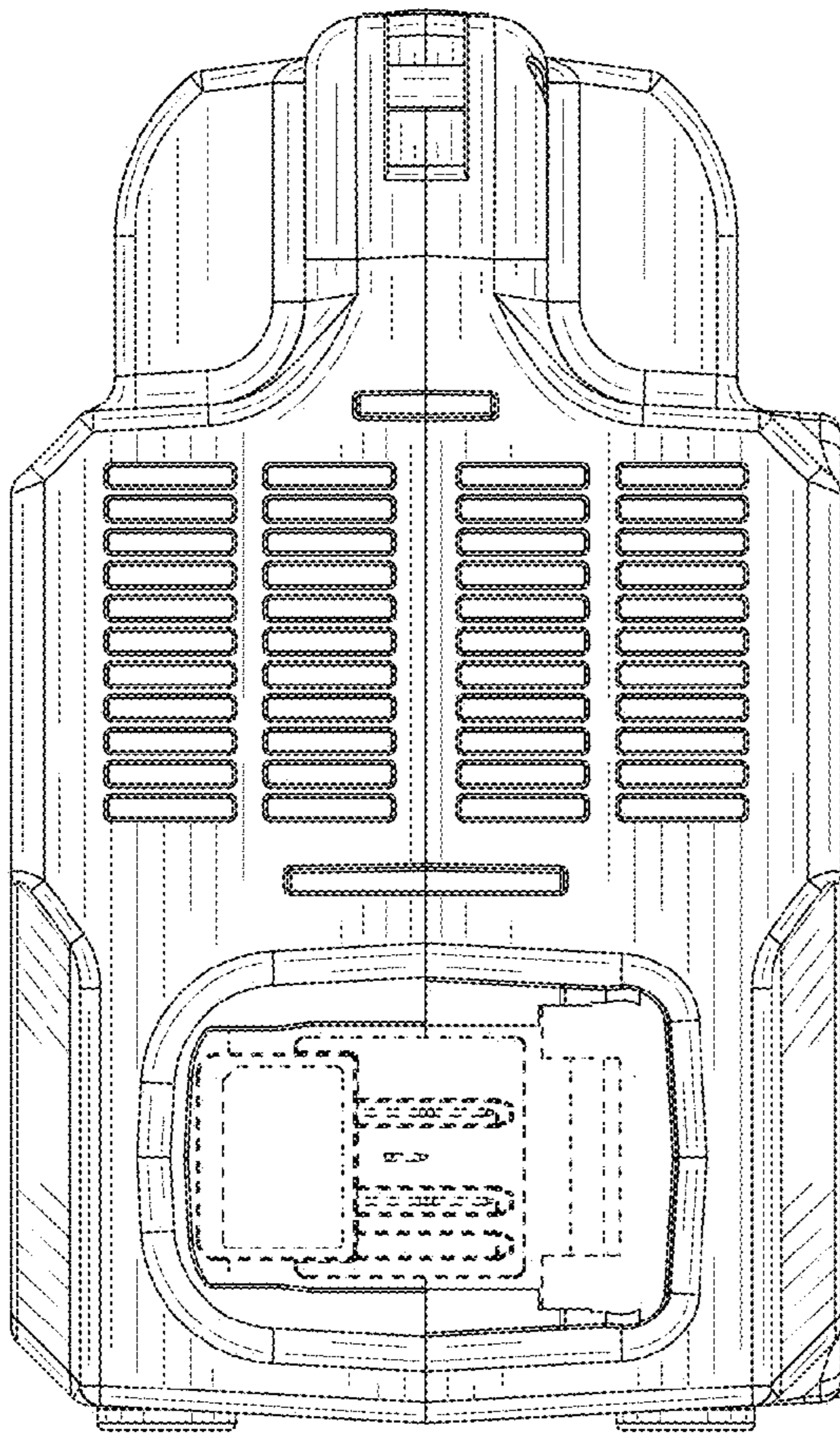


FIG. 7

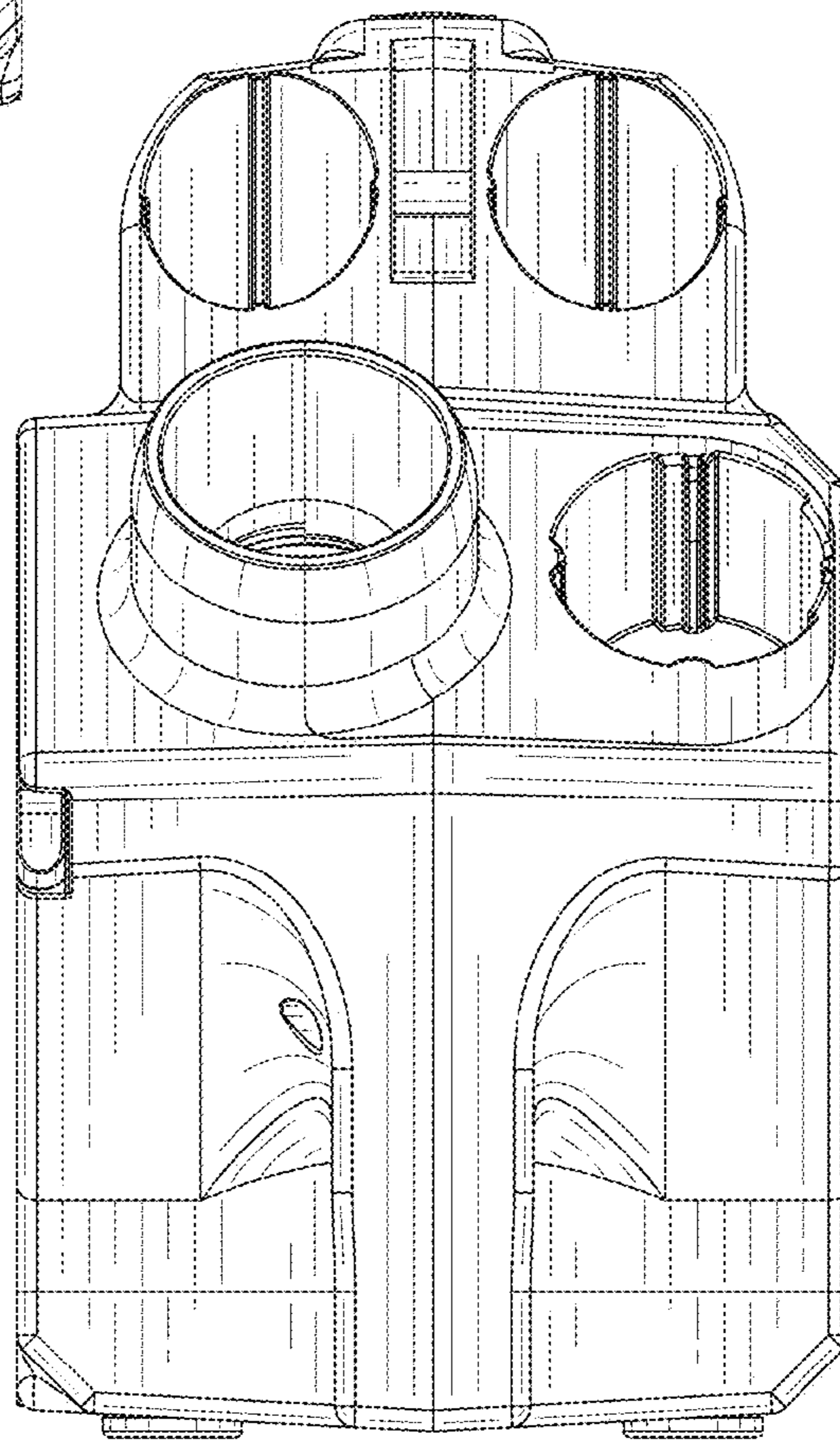


FIG. 8

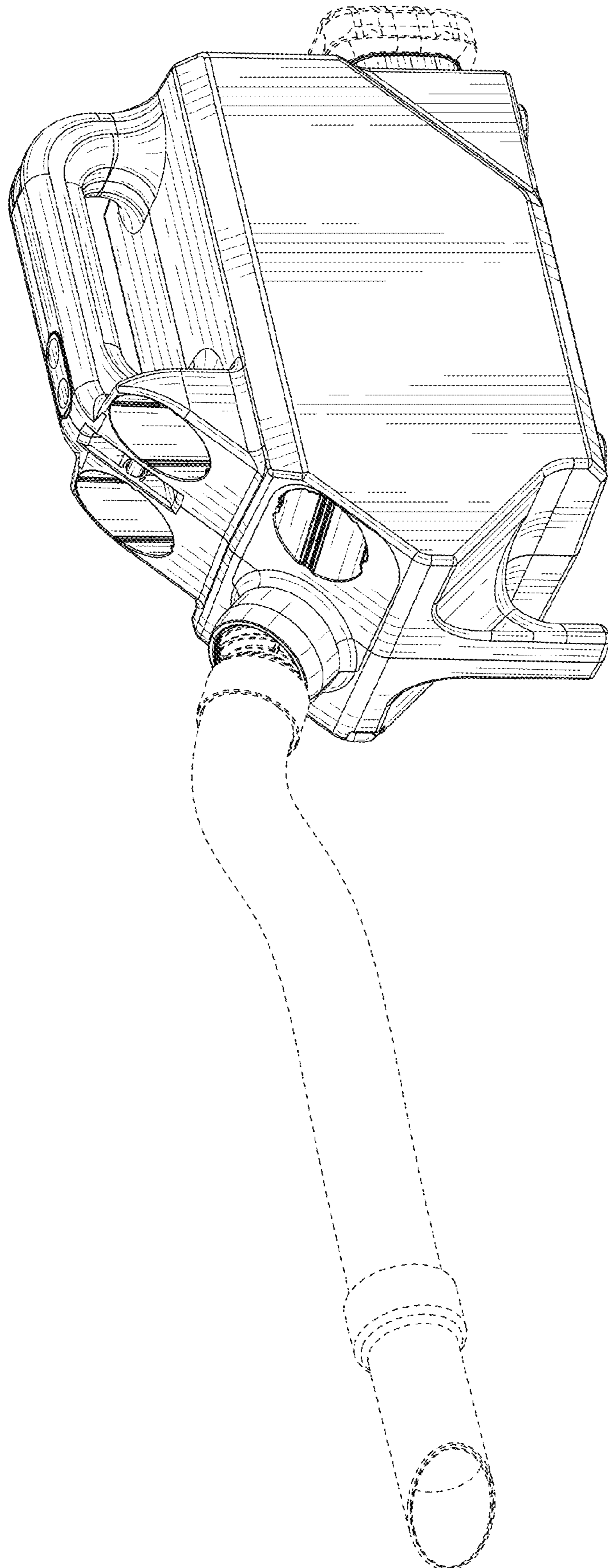


FIG. 9

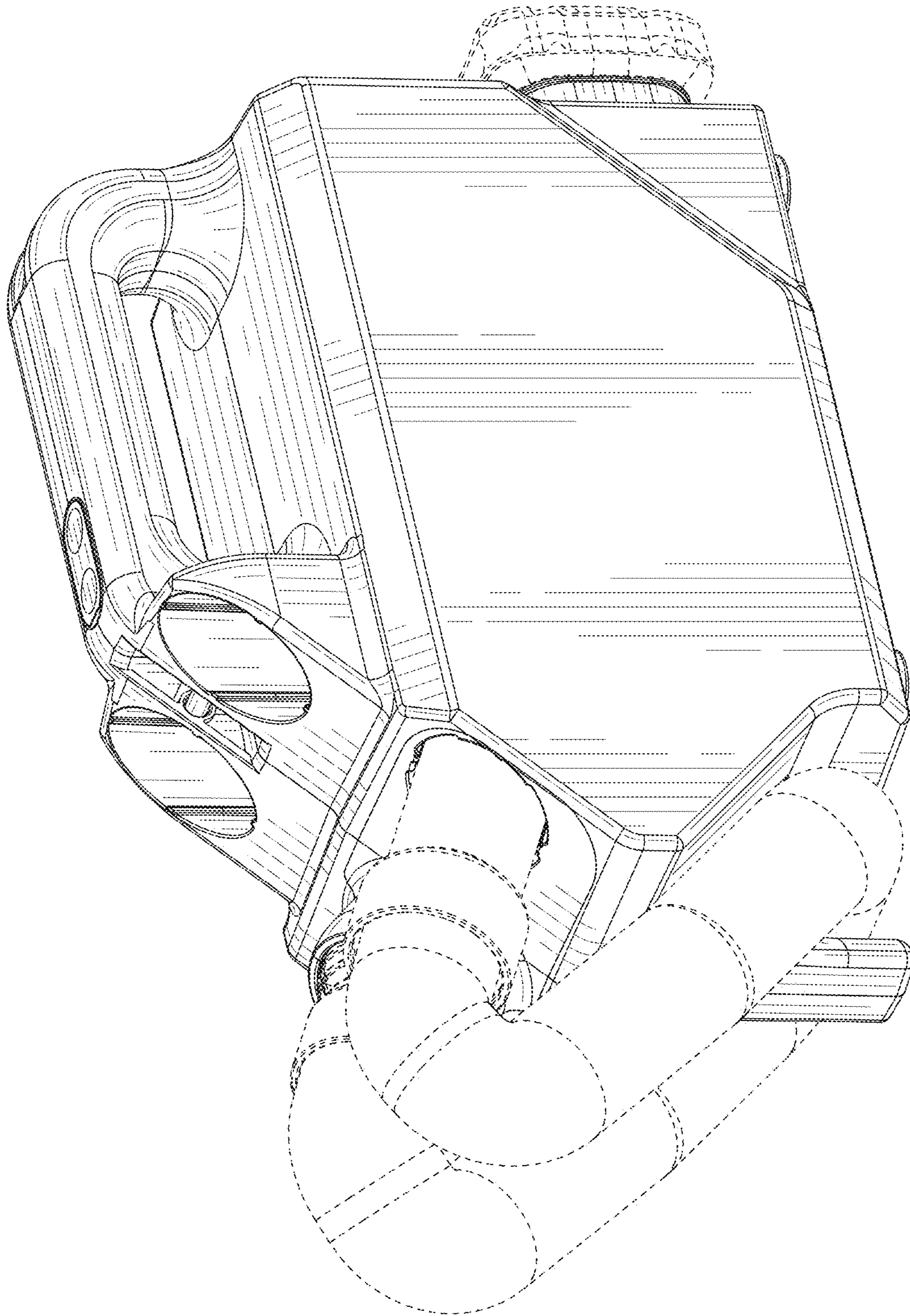


FIG. 10