



US00D905356S

(12) **United States Design Patent** (10) **Patent No.:** **US D905,356 S**  
**Chen et al.** (45) **Date of Patent:** **\*\* Dec. 15, 2020**

(54) **CAT TOY**

(71) Applicant: **Dogness Group LLC**, Plano, TX (US)

(72) Inventors: **Silong Chen**, Dongguan (CN); **Yunhao Chen**, Plano, TX (US)

(\*\*) Term: **15 Years**

(21) Appl. No.: **29/685,157**

(22) Filed: **Mar. 27, 2019**

(30) **Foreign Application Priority Data**

Jan. 21, 2019 (CN) ..... 2019 3 0030605

(51) **LOC (12) Cl.** ..... **30-99**

(52) **U.S. Cl.**  
USPC ..... **D30/160**

(58) **Field of Classification Search**  
USPC ..... D30/160; D10/60, 75, 95, 100, 106.6,  
D10/106.5, 106.9, 114.1, 118.2, 119.1;  
D23/118, 120, 133, 135, 138.1, 137.1,  
D23/137.2, 139.1, 139.4, 171; D24/133,  
D24/143, 144; D26/43, 46, 49, 52-54,  
D26/61, 67, 68, 69, 70, 71, 72, 89, 107,  
D26/110, 112; D21/329, 386, 405;  
119/707-711

CPC ..... A01K 29/00; A01K 15/02; A01K 15/021;  
A01K 15/025; G01P 13/0006; G01P  
13/0013; G01P 13/002

See application file for complete search history.

(56) **References Cited**

U.S. PATENT DOCUMENTS

D426,036 S \* 5/2000 Willinger ..... D30/160  
D627,091 S \* 11/2010 Zhang ..... D26/46  
D645,215 S \* 9/2011 Lee ..... D30/160  
D652,586 S \* 1/2012 Lee ..... D30/160  
D699,876 S \* 2/2014 Kingston ..... D26/46

D721,113 S \* 1/2015 Huang ..... D16/202  
D724,279 S \* 3/2015 Paculdo ..... D30/160  
D769,498 S \* 10/2016 Liang ..... D26/61  
D835,334 S \* 12/2018 Dal Ponte ..... D26/118  
D854,208 S \* 7/2019 O'Doherty ..... D26/46  
D858,321 S \* 9/2019 Recker ..... D10/70  
D860,029 S \* 9/2019 Yang ..... D10/118.2  
D860,837 S \* 9/2019 Workman ..... D10/78  
D866,381 S \* 11/2019 Siminoff ..... D10/120  
D881,484 S \* 4/2020 Lin ..... D30/160  
D889,290 S \* 7/2020 Yokoyama ..... D10/75  
D889,300 S \* 7/2020 Siminoff ..... D10/118.2  
D892,659 S \* 8/2020 Carlson ..... D10/106.6

OTHER PUBLICATIONS

“Dogness smart laser feather teaser cat toy”, posted Mar. 13, 2020 Online, [Retrieved Aug. 21, 2020], retrieved from internet: <https://tinyurl.com/y2mjp354>.\*

\* cited by examiner

*Primary Examiner* — Sandra Snapp  
*Assistant Examiner* — Mehri Bajoul  
(74) *Attorney, Agent, or Firm* — ZANIP

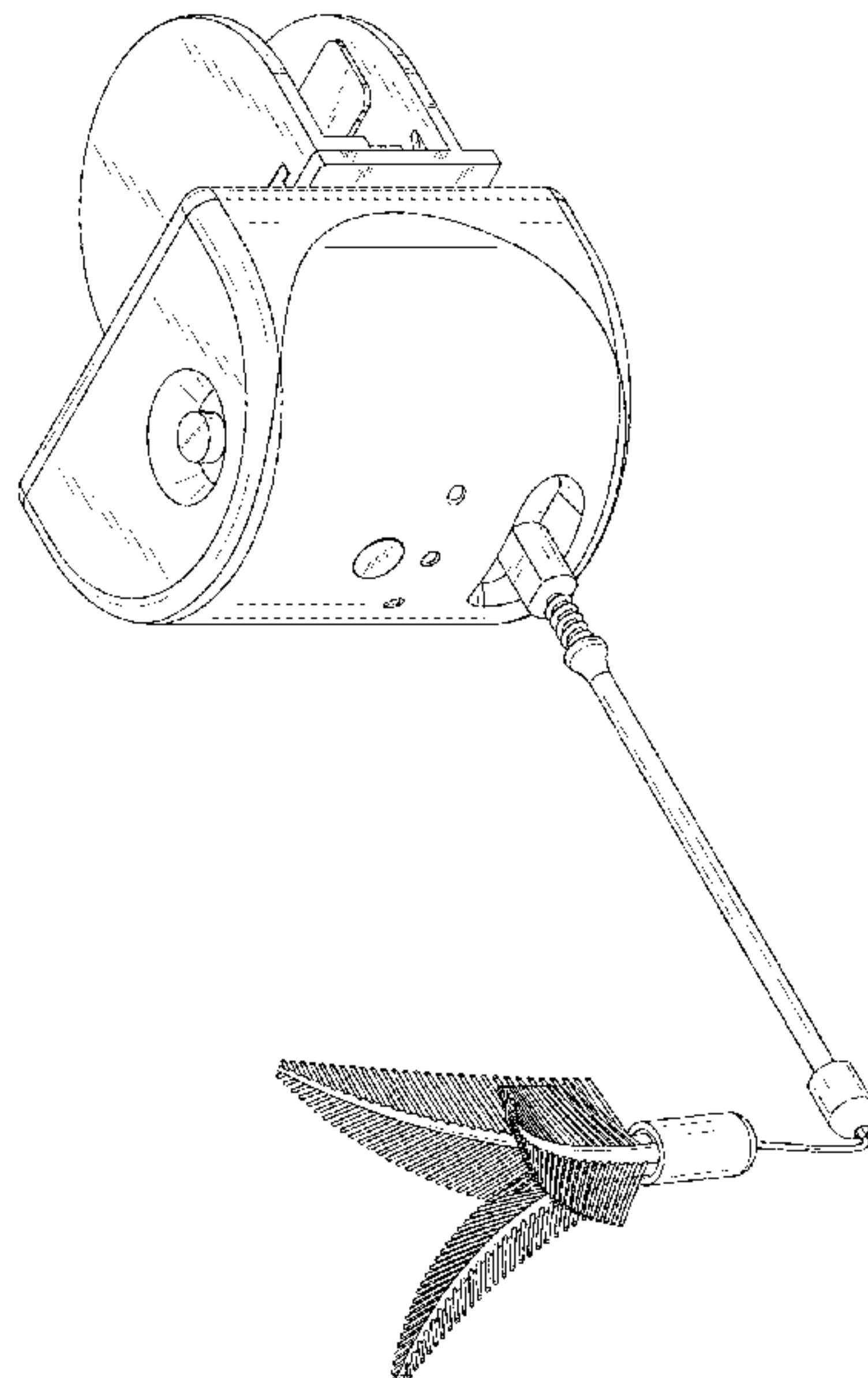
(57) **CLAIM**

The ornamental design for a cat toy, as shown and described.

**DESCRIPTION**

FIG. 1 is a front elevation view of a cat toy showing our new design;  
FIG. 2 is a rear elevation view thereof;  
FIG. 3 is a left elevation view thereof;  
FIG. 4 is a right elevation view thereof;  
FIG. 5 is a top plan view thereof;  
FIG. 6 is a bottom plan view thereof;  
FIG. 7 is a first perspective view thereof;  
FIG. 8 is a second perspective view thereof; and,  
FIG. 9 is a third perspective view thereof.

**1 Claim, 8 Drawing Sheets**



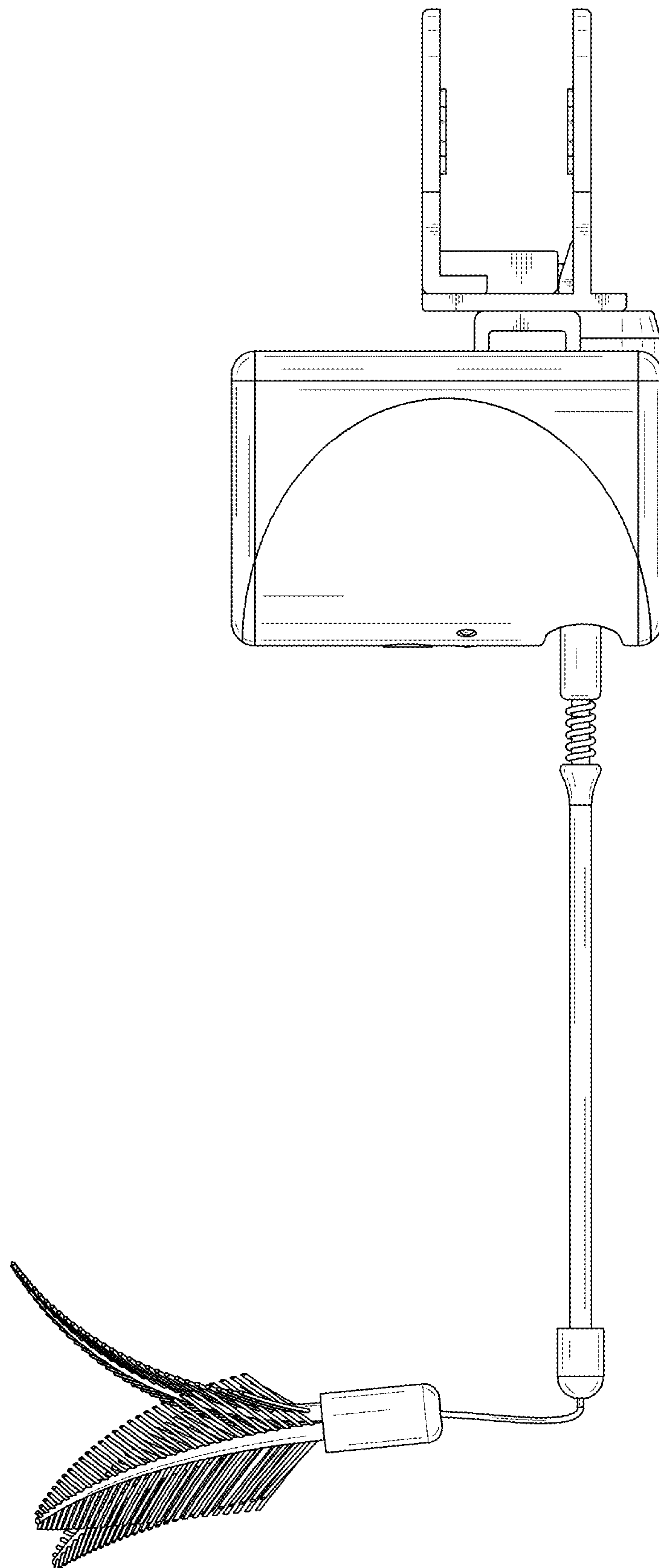


FIG.1

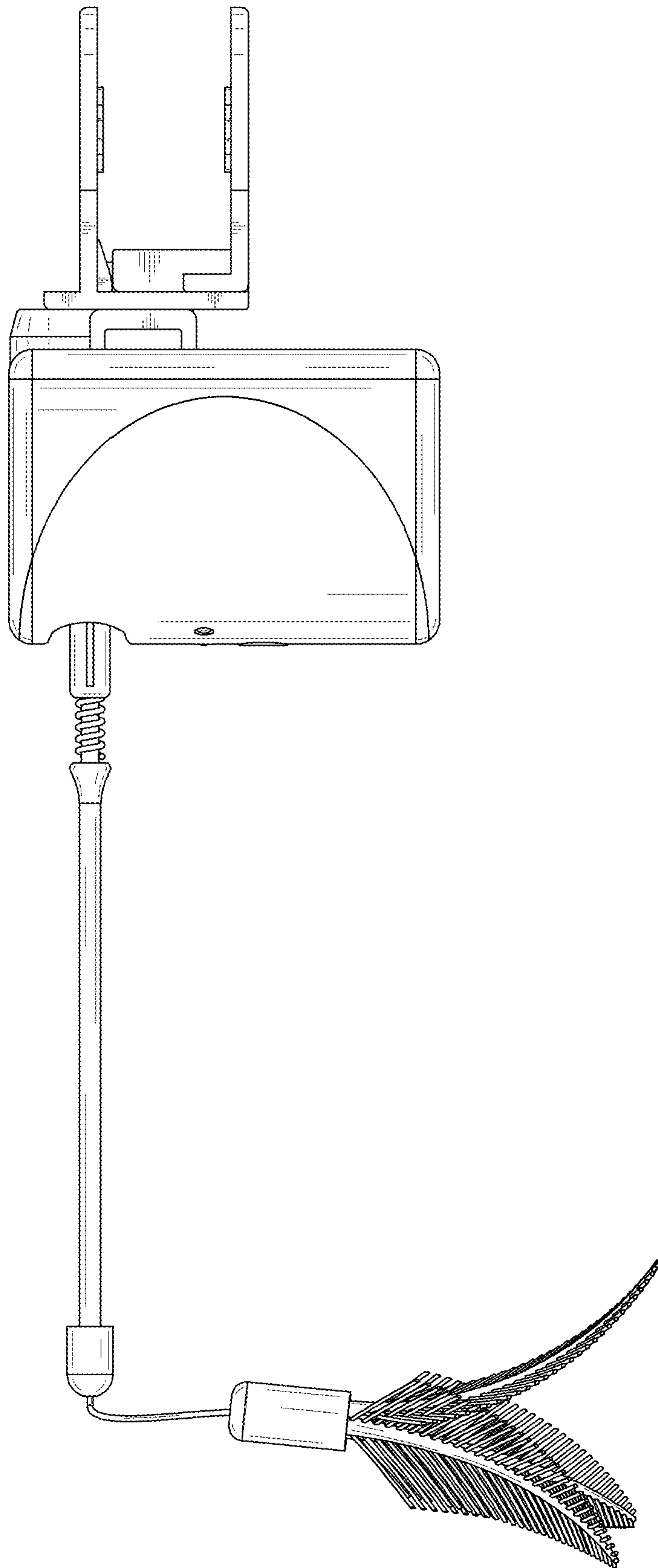


FIG.2

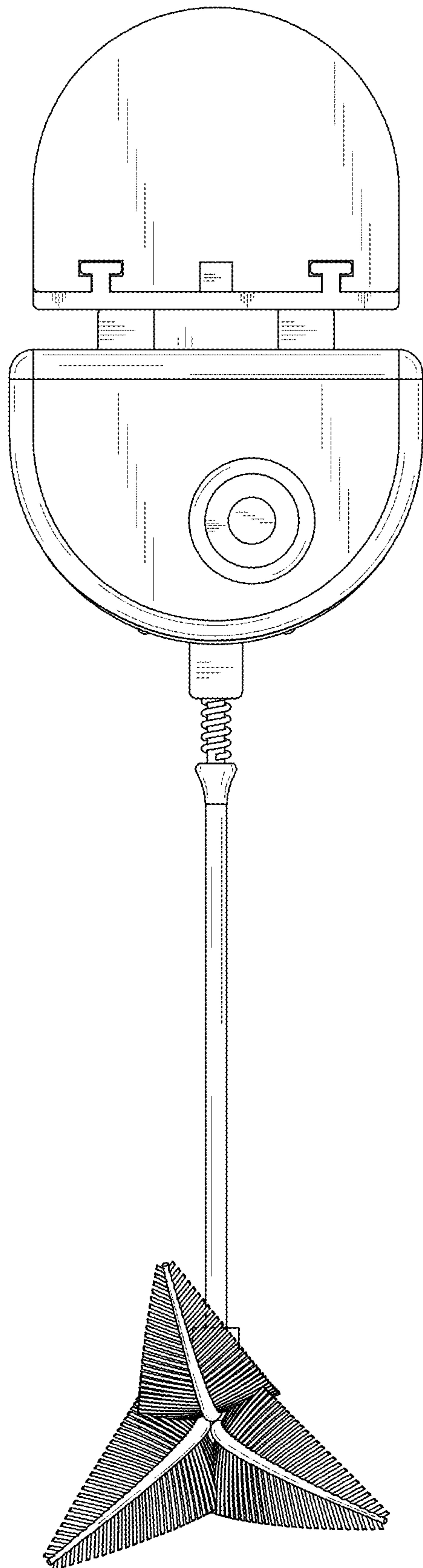


FIG.3

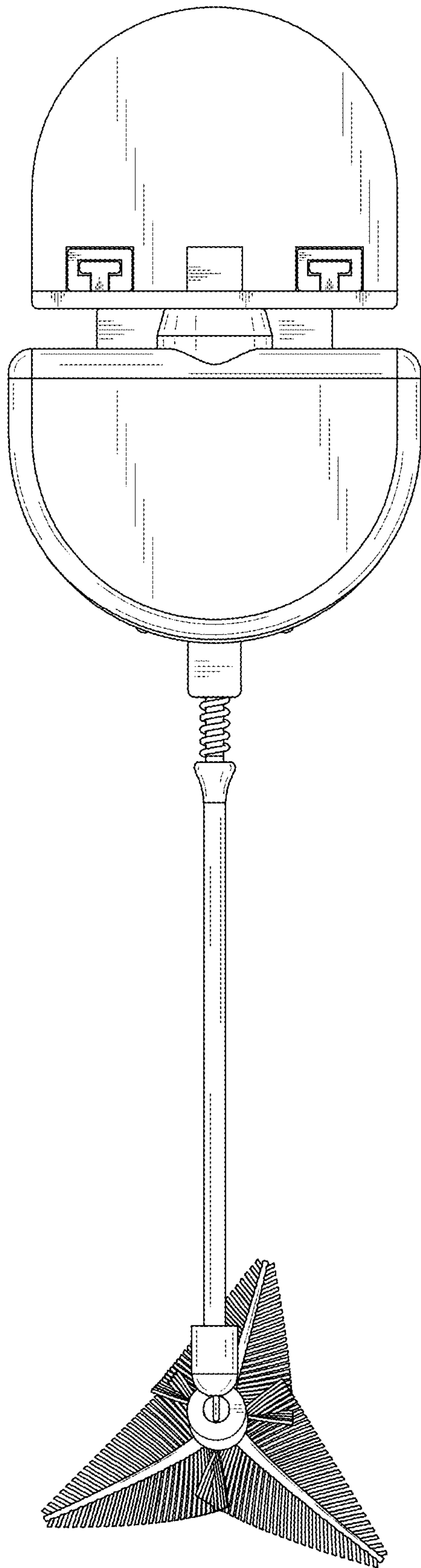


FIG.4



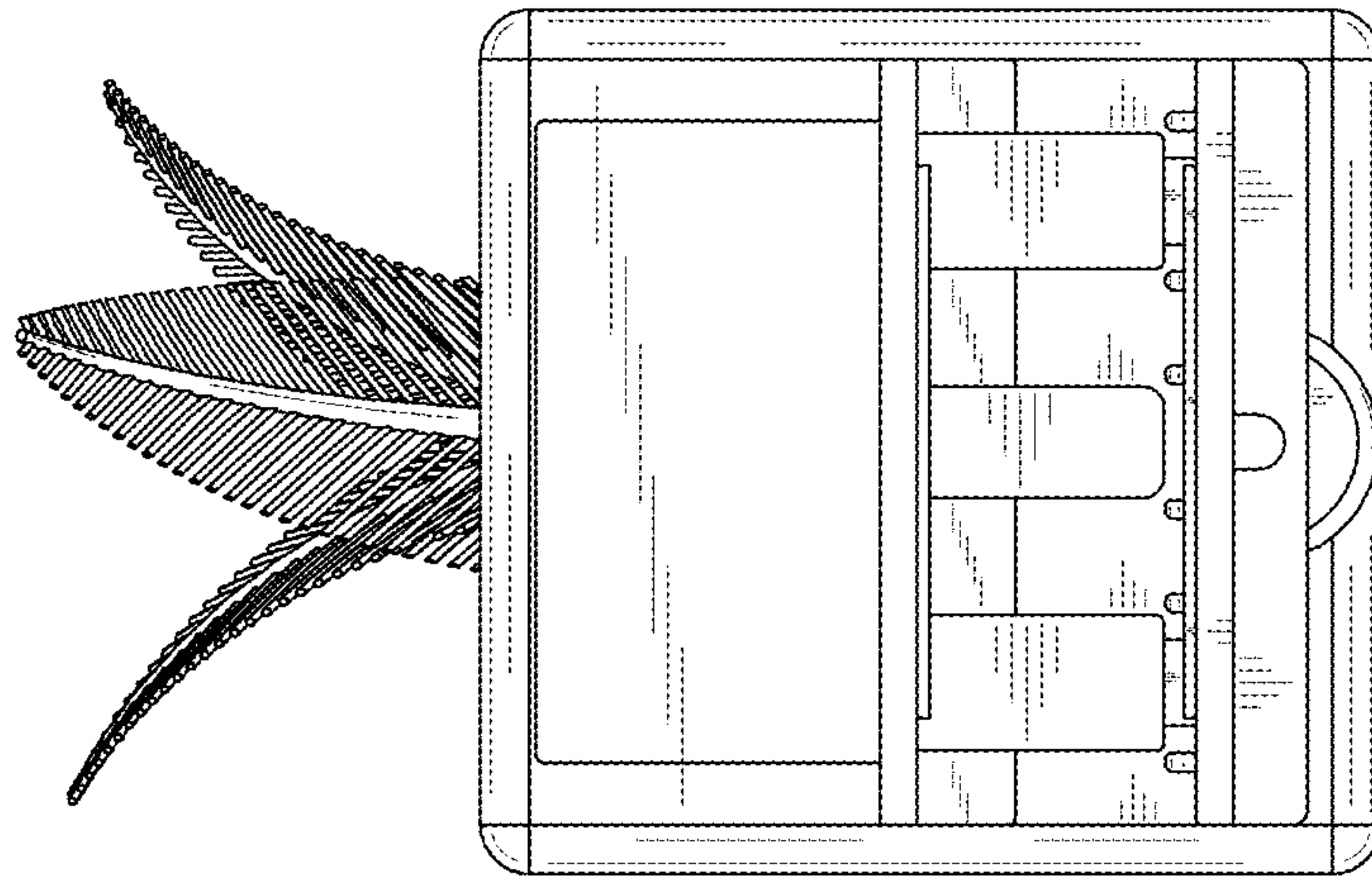


FIG. 5

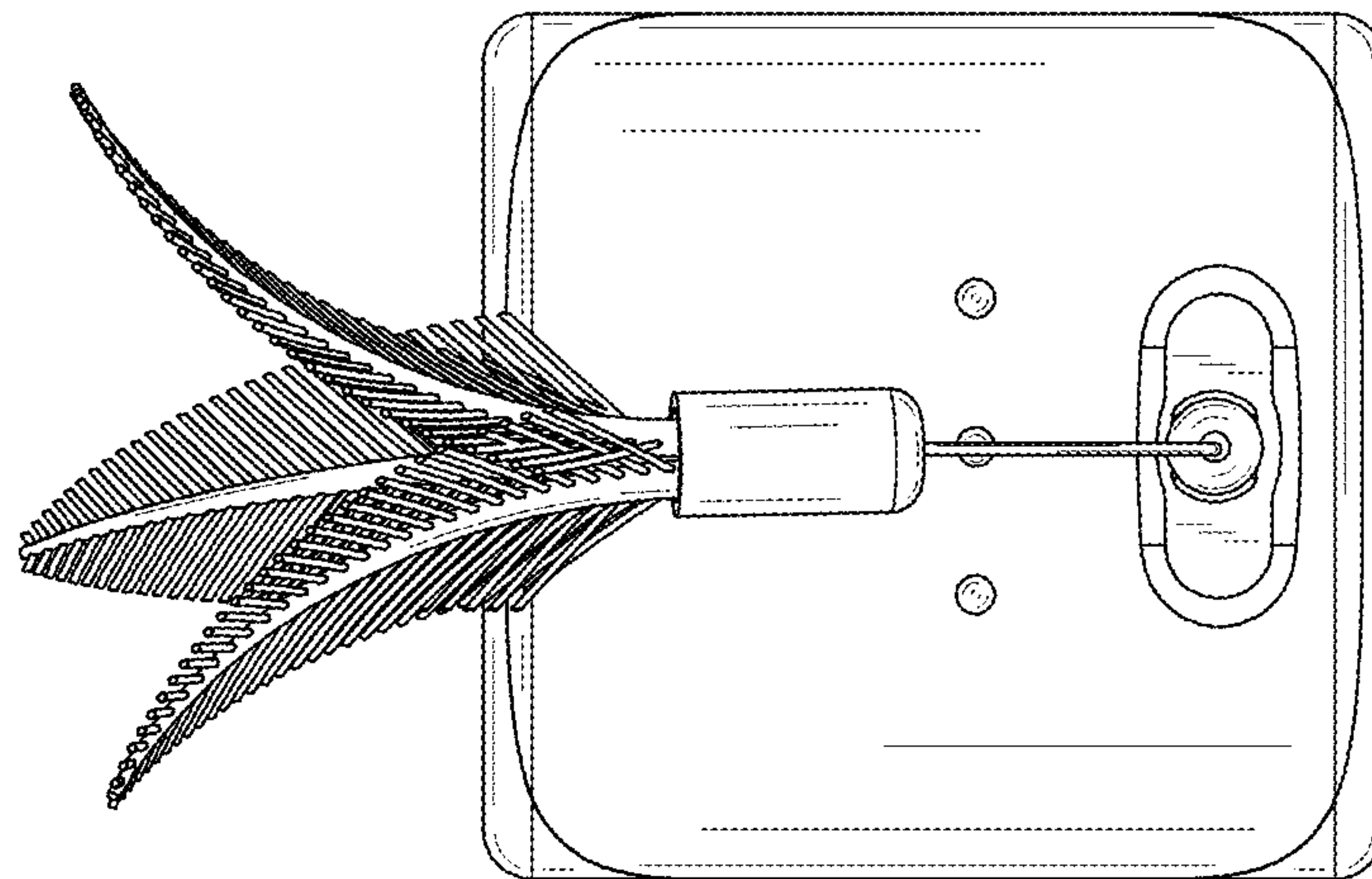


FIG. 6

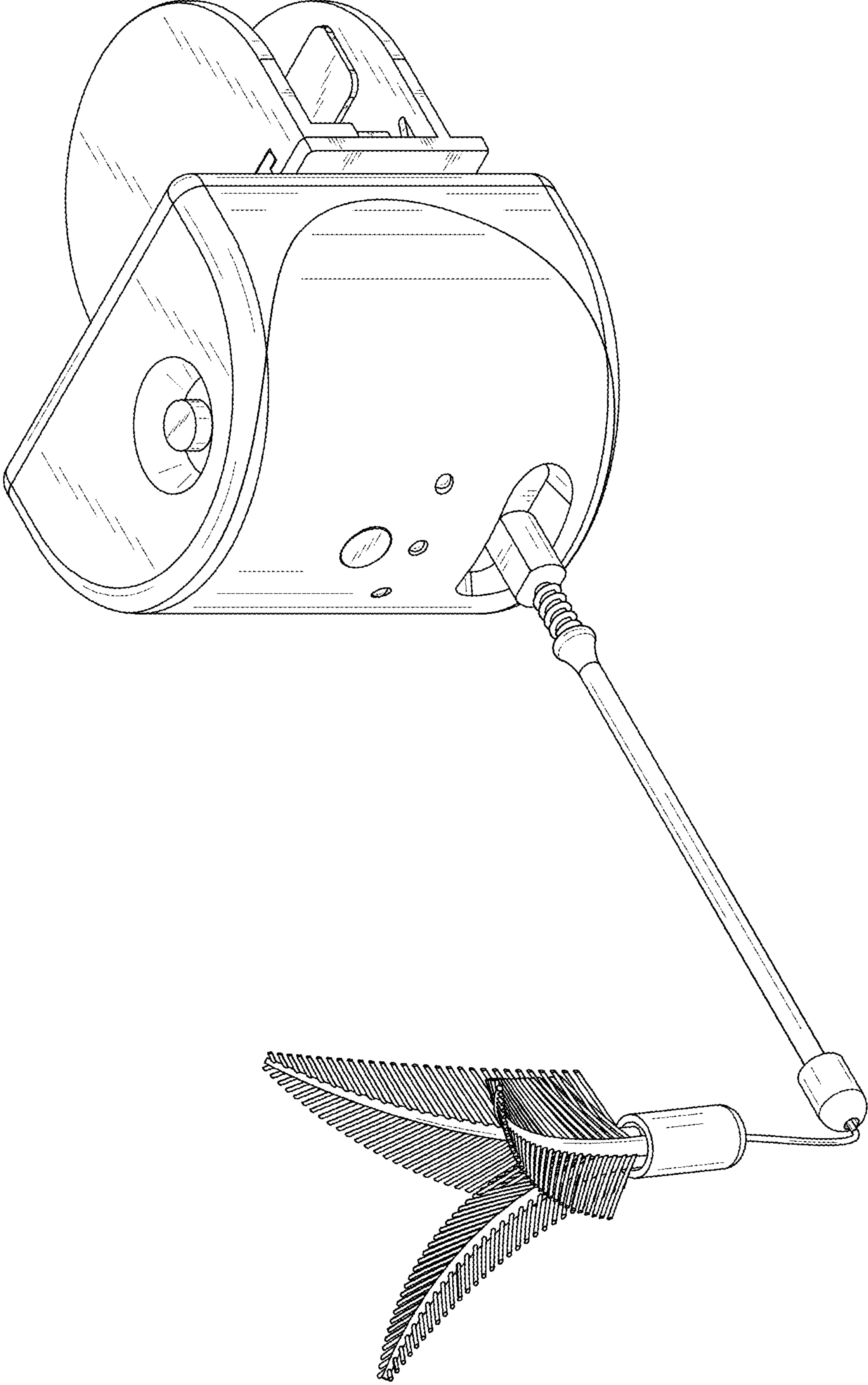


FIG.7

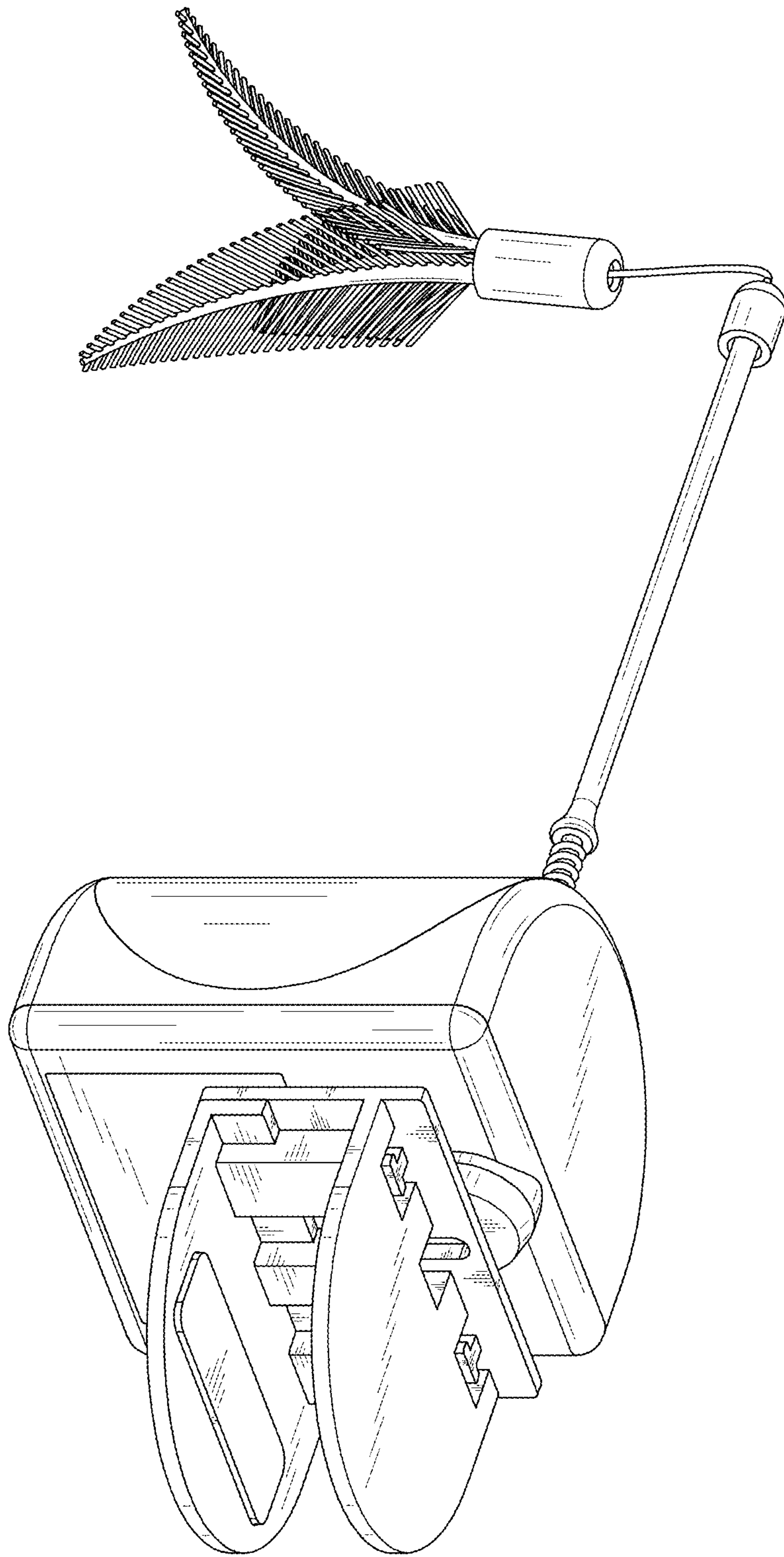


FIG.8



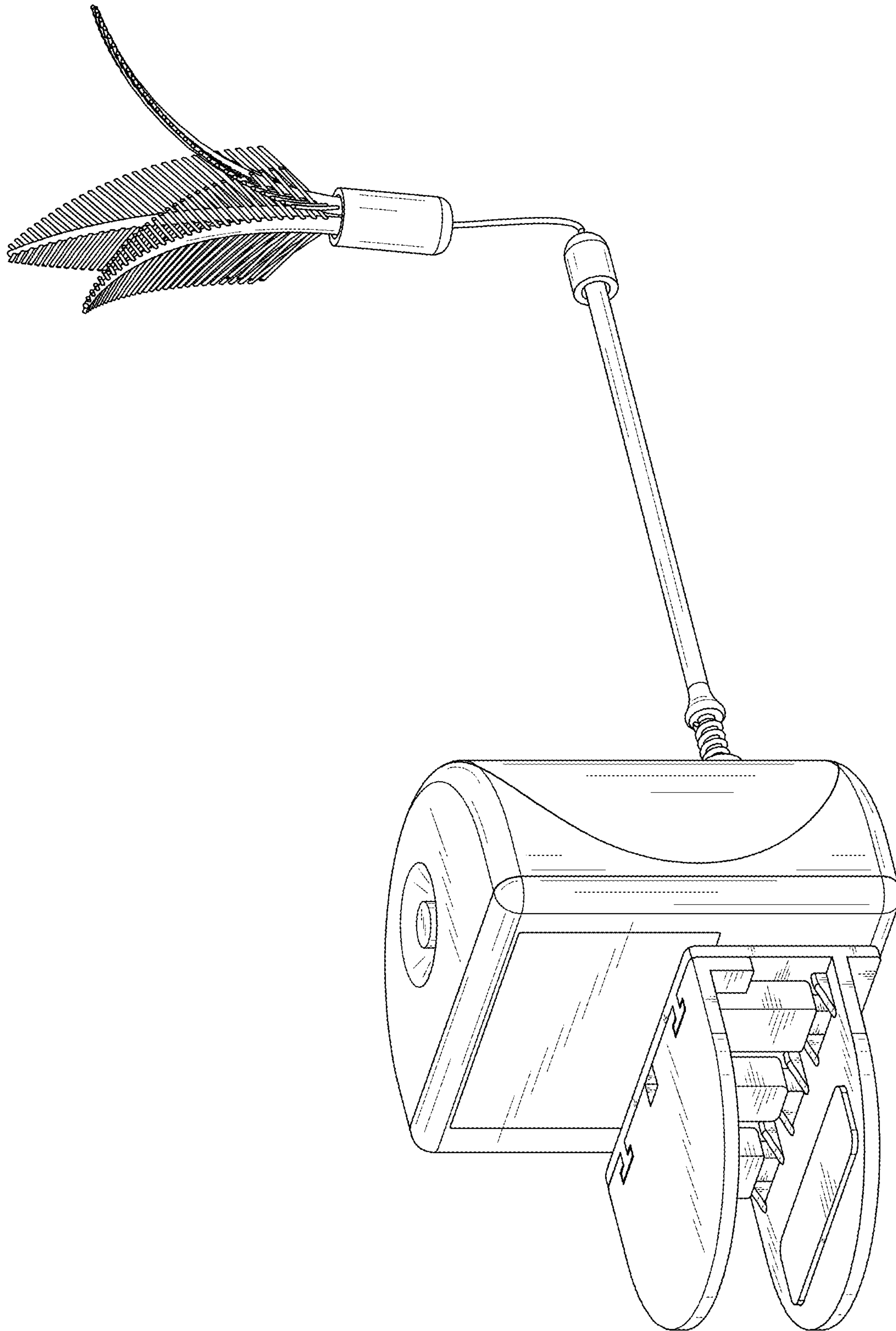


FIG.9