



US00D905351S

(12) **United States Design Patent**
Zheng

(10) **Patent No.:** **US D905,351 S**

(45) **Date of Patent:** **** Dec. 15, 2020**

- (54) **FACE MASK**
- (71) Applicant: **JM MANUFACTURING (HK) LIMITED**, Hong Kong (CN)
- (72) Inventor: **Kin Zheng**, Hong Kong (CN)
- (73) Assignee: **JM MANUFACTURING (HK) LIMITED**, Hong Kong (CN)
- (**) Term: **15 Years**
- (21) Appl. No.: **29/749,108**
- (22) Filed: **Sep. 2, 2020**
- (51) **LOC (12) Cl.** **29-02**
- (52) **U.S. Cl.**
USPC **D29/108; D24/110.1**
- (58) **Field of Classification Search**
USPC D29/100, 102, 105, 106, 107, 108, 110, D29/122; D2/878, 880, 881; D24/110.1; 2/455, 456, 410, 423, 424, 425, 9, 171, 2/173, 206, 906; 128/857, 858, 201.22, 128/201.23, 201.24, 206.21
CPC A42B 5/00; A42B 3/18; A42B 3/20; A42B 1/046; A63B 71/08; A63B 71/10; A63B 71/105; A61F 9/04; A61F 9/06; A61F 9/029; A41D 13/11; A41D 13/1107; A41D 13/1161; A41D 13/1169; A41D 13/1176; A41G 7/00; A41G 7/02
See application file for complete search history.

- 5,558,089 A * 9/1996 Castiglione A41D 13/1146
128/206.24
- 5,813,398 A * 9/1998 Baird A41D 13/1115
128/201.15
- D400,674 S * 11/1998 Miura D24/110.1
- 5,927,280 A * 7/1999 Miyake A41D 13/1115
128/206.12
- D420,769 S * 2/2000 White D24/110.1
- 6,062,220 A * 5/2000 Whitaker A41D 13/11
128/206.12
- D511,209 S * 11/2005 Callan D24/110.1
- 7,004,167 B2 * 2/2006 Cheng A41D 13/1192
128/205.27
- 7,290,545 B2 * 11/2007 Kleman A41D 13/1115
128/206.12

(Continued)

OTHER PUBLICATIONS

Surgical Mask, <https://products.halyardhealth.com/infection-prevention/facial-respiratory-protection/masks-respirators/surgical-mask.html>, 2018. (Year: 2018).*

(Continued)

Primary Examiner — Elizabeth J Oswecki

(57) **CLAIM**

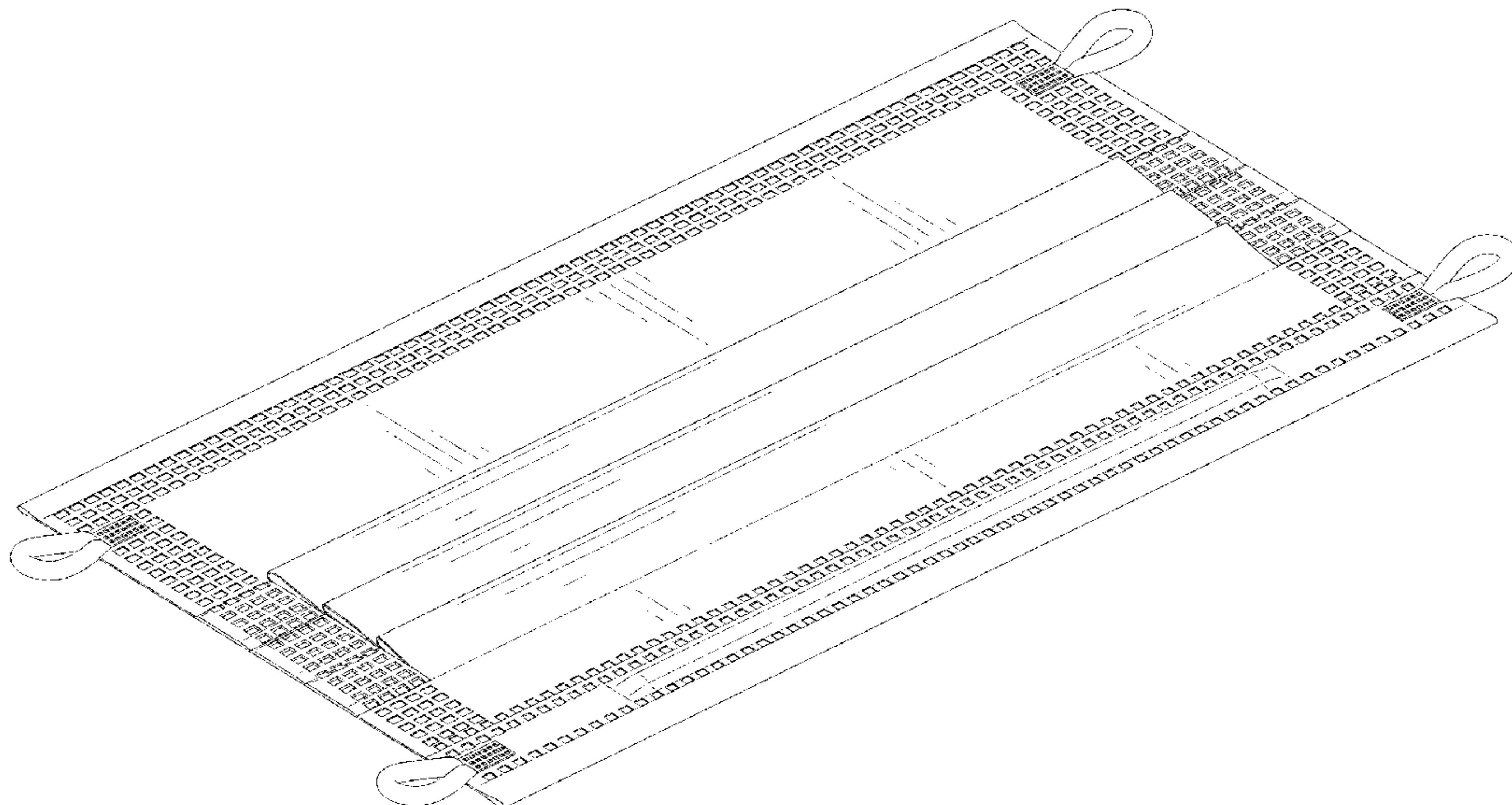
The ornamental design for a face mask, as shown and described.

DESCRIPTION

FIG. 1 is a perspective view of a face mask showing my new design;
FIG. 2 is another perspective view thereof;
FIG. 3 is a front elevational view thereof;
FIG. 4 is a rear elevational view thereof;
FIG. 5 is a left side elevational view thereof;
FIG. 6 is a right side elevational view thereof;
FIG. 7 is a top plan view thereof; and,
FIG. 8 is a bottom plan view thereof.

1 Claim, 8 Drawing Sheets

- (56) **References Cited**
U.S. PATENT DOCUMENTS
D219,082 S * 10/1970 Bird D24/110.1
3,884,227 A * 5/1975 Lutz A41D 13/1115
128/206.19
4,635,628 A * 1/1987 Hubbard A41D 13/1115
128/201.17
4,802,473 A * 2/1989 Hubbard A41D 13/1115
128/206.13



(56)

References Cited

U.S. PATENT DOCUMENTS

7,845,351 B2 * 12/2010 Mathis B32B 5/26
128/206.21
D638,171 S * 5/2011 Goranov D29/108
8,091,551 B2 * 1/2012 Messier B03C 3/60
128/206.19
D658,334 S * 4/2012 Goranov D29/108
D693,062 S * 11/2013 Bowen D29/108
D759,718 S * 6/2016 Adler D14/492
D782,029 S * 3/2017 Kuhn D24/110.1
D785,780 S * 5/2017 Scarbrough D24/110.1
D803,391 S 11/2017 Reese et al.
D821,568 S 6/2018 Nilsson et al.
10,137,321 B2 * 11/2018 Martin A62B 9/02
D837,456 S * 1/2019 Andrews D29/108
10,182,603 B2 * 1/2019 Duffy A41D 13/11
D848,678 S * 5/2019 Andrews D29/108
D854,144 S * 7/2019 Bowen D24/110.1
2007/0023047 A1 * 2/2007 Zalsman A62B 23/025
128/206.19
2008/0105261 A1 * 5/2008 Harold A41D 13/1115
128/206.13
2009/0078265 A1 * 3/2009 Gebrewold A62B 18/025
128/206.19
2009/0090364 A1 * 4/2009 Daugaard A41D 13/11
128/206.19
2009/0145434 A1 * 6/2009 Herrmann A61M 15/085
128/203.29
2009/0205666 A1 * 8/2009 Bowen A62B 23/025
128/206.13
2014/0076334 A1 * 3/2014 Cheng A61B 46/00
128/857

2014/0182600 A1 * 7/2014 Duffy A41D 13/1115
128/863
2014/0237695 A1 * 8/2014 Al Malki A41D 13/1138
2/9
2014/0326255 A1 * 11/2014 Teng A41D 13/1115
128/863
2015/0056102 A1 * 2/2015 Yamada A61L 9/014
422/120
2015/0306432 A1 * 10/2015 Orofino A41D 13/1161
128/863
2016/0029715 A1 * 2/2016 Zheng A41D 13/11
128/863
2016/0029716 A1 * 2/2016 Duncan A41D 13/11
128/863
2016/0151650 A1 * 6/2016 Reese A62B 23/025
128/863
2016/0235136 A1 * 8/2016 Palomo A41D 13/1161

OTHER PUBLICATIONS

Medical Face Mask,<https://www.hbfullcare.com/product/medical-face-mask/>,2000 (Year: 2000).*
2x50 PCS=100 Face Mask Mouth Nose Covering Protector Respirator , Oct. 17, 2020 (Year: 2020).*
100 PCS Blue Face Mask Mouth & Nose Protector Respirator Masks with Filter USA ,https://www.ebay.com/itm/100-PCS-Blue-Face-Mask-Mouth-Nose-Protector-Respirator-Masks-with-Filter-USA/164476912782?_trkparms=aid%3D1110009%26algo%3DSPLICE.COMPLISTINGS%26ao%3D1%26asc%3D20200220094952%26meid%3D,2020 (Year: 2020).*

* cited by examiner

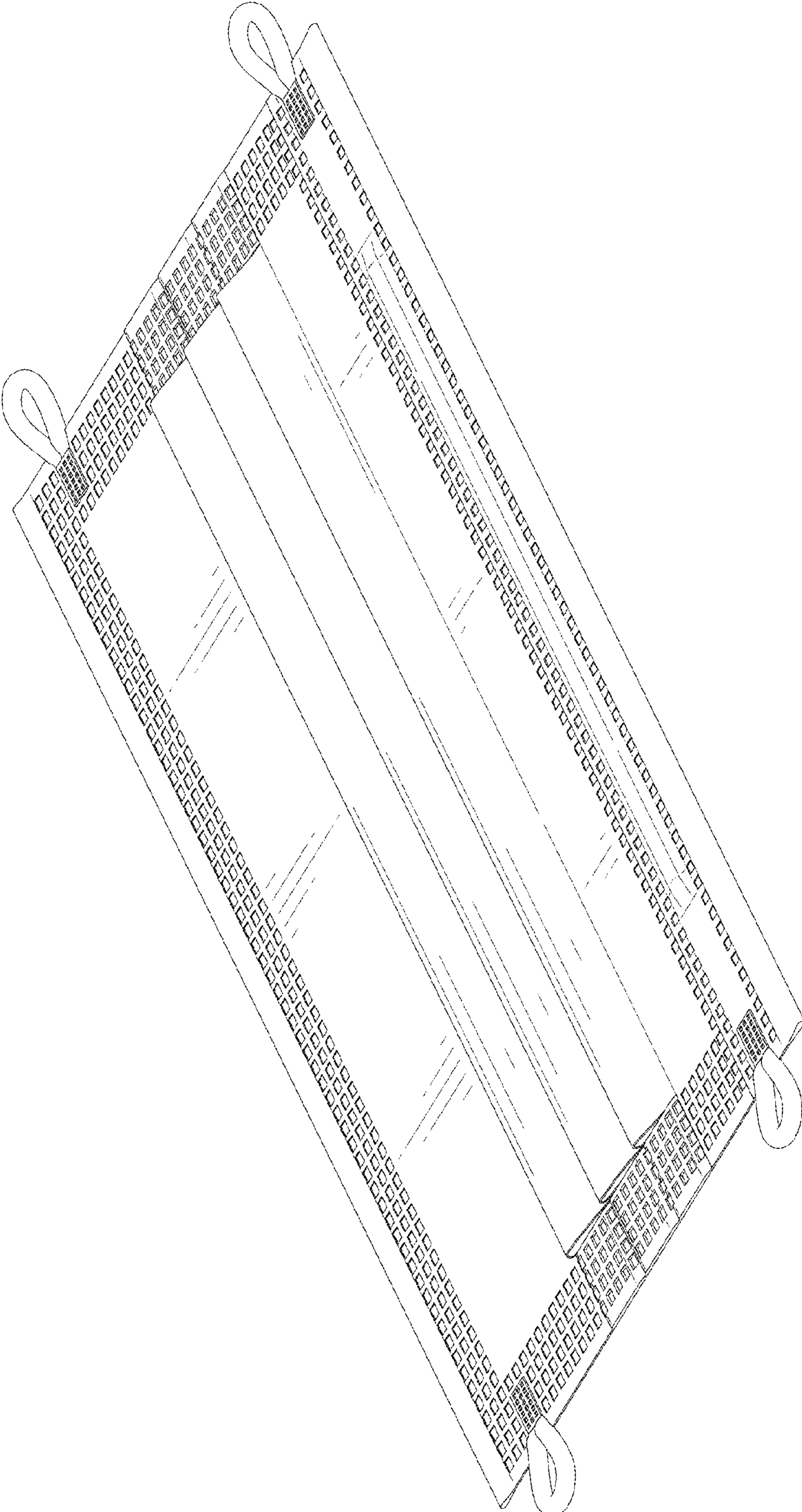


FIG. 1

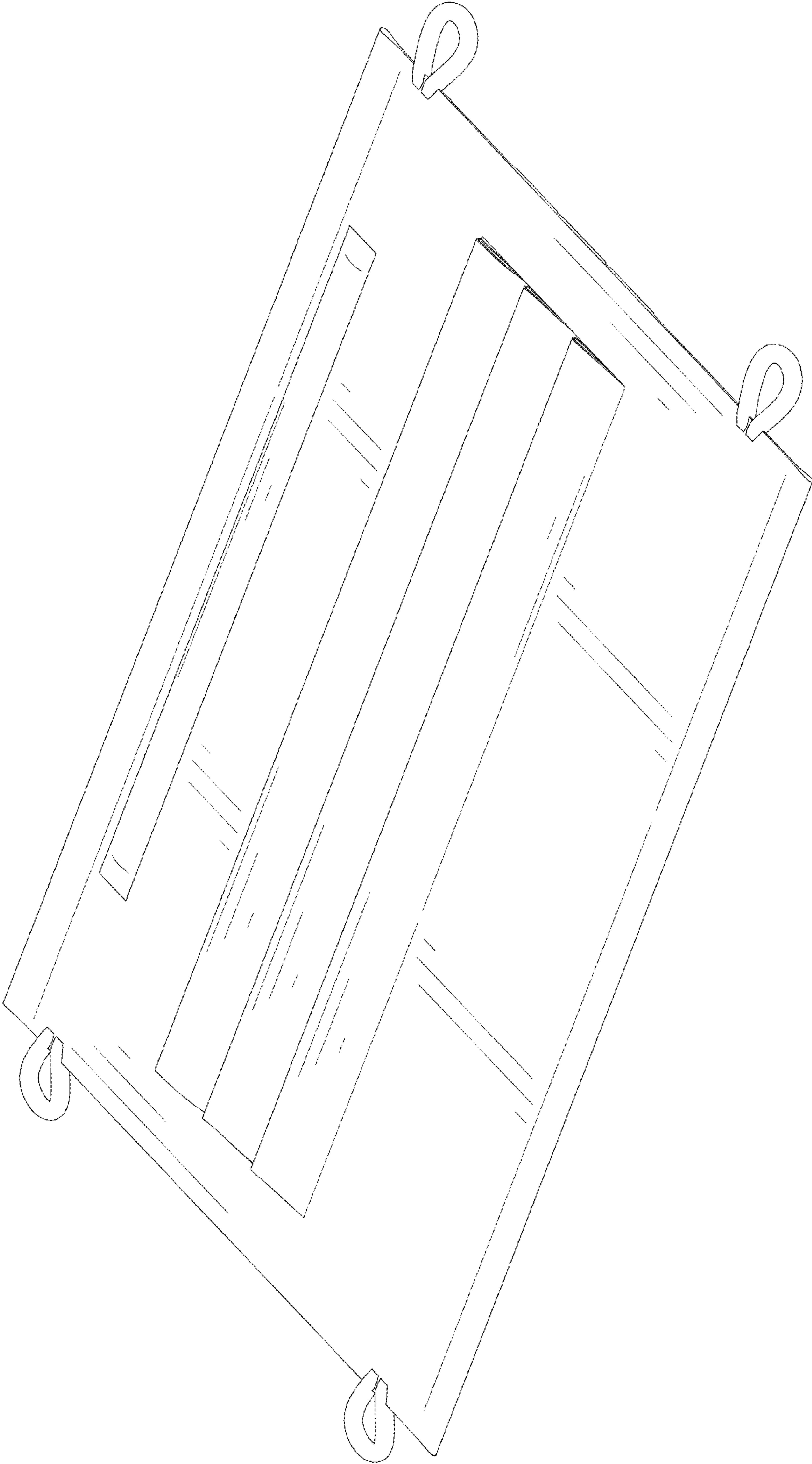


FIG. 2

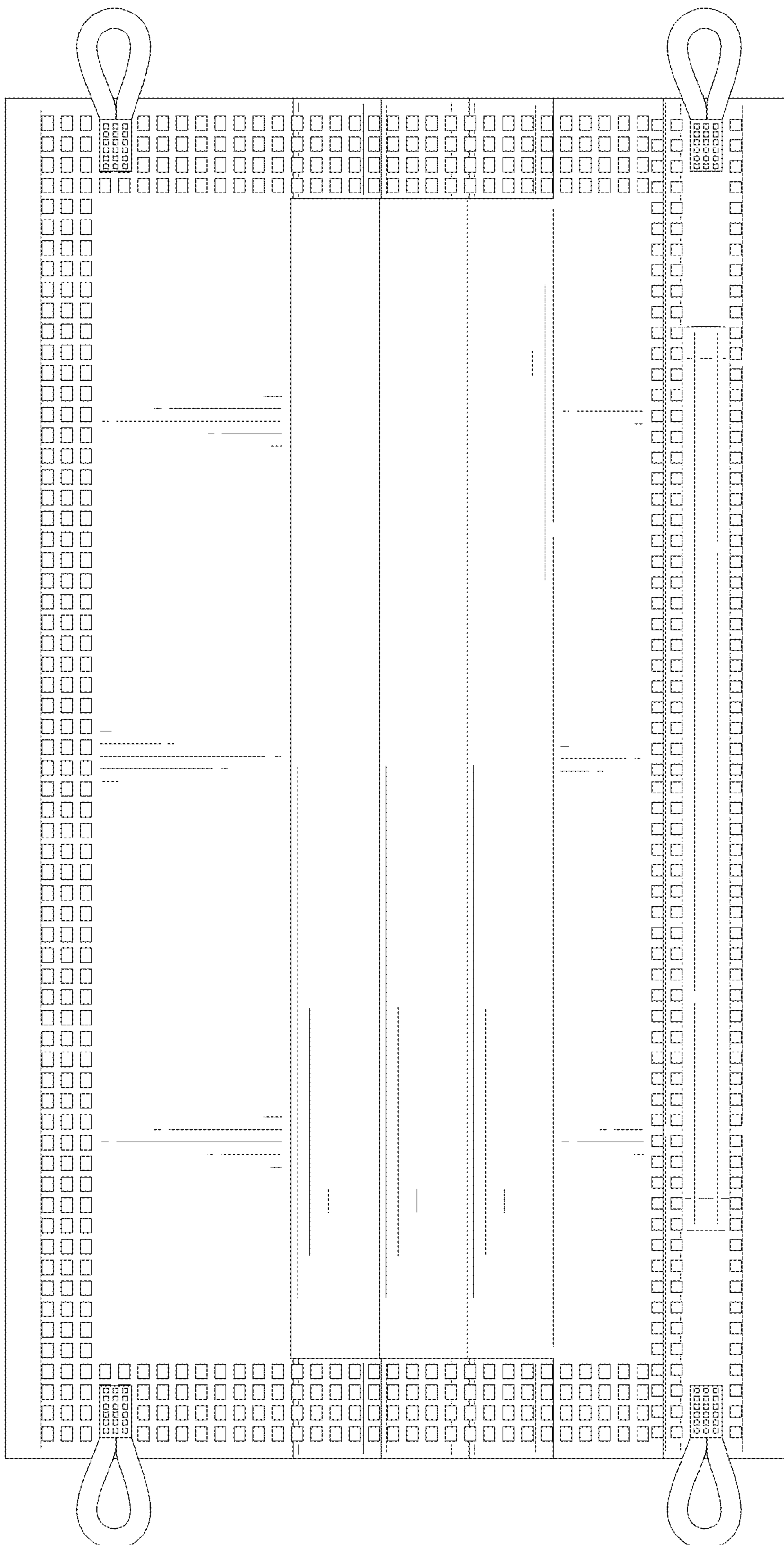


FIG. 3



FIG. 4

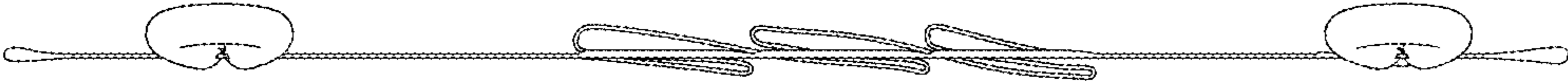


FIG. 5



FIG. 6

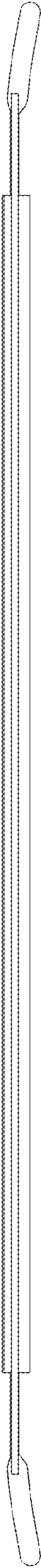


FIG. 7

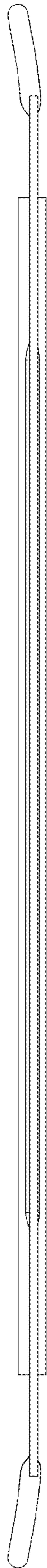


FIG. 8