



US00D905345S

(12) **United States Design Patent**  
**Carlucci**

(10) **Patent No.:** **US D905,345 S**  
(45) **Date of Patent:** **\*\* Dec. 15, 2020**

(54) **HAIR SHAVER WITH ADJUSTMENT TOOL**

(71) Applicant: **Conair Corporation**, Stamford, CT (US)

(72) Inventor: **Vito Carlucci**, Stratford, CT (US)

(73) Assignee: **Conair Corporation**, Stamford, CT (US)

(\*\*) Term: **15 Years**

(21) Appl. No.: **29/693,178**

(22) Filed: **May 31, 2019**

(51) **LOC (12) Cl.** ..... **28-03**

(52) **U.S. Cl.**  
USPC ..... **D28/53**

(58) **Field of Classification Search**  
USPC ..... D28/49, 51, 53, 54  
CPC .. B26B 19/3853-3866; B26B 19/3886; B26B 19/20; B26B 19/205; B26B 19/22; B26B 19/00-107  
See application file for complete search history.

(56) **References Cited**

**U.S. PATENT DOCUMENTS**

5,386,634 A *	2/1995	Ogle	.....	B26B 19/06 30/194
D456,947 S *	5/2002	Hoffman	.....	D28/53
D462,482 S *	9/2002	Rizzuto, Jr.	.....	D28/53
D464,466 S *	10/2002	Rizzuto, Jr.	.....	D28/53
D470,272 S *	2/2003	Fong	.....	D28/53
D696,459 S *	12/2013	Chan	.....	D28/53
D747,551 S *	1/2016	Marut	.....	D28/51
D800,387 S *	10/2017	Ino	.....	D28/53
D836,841 S *	12/2018	de Belizal	.....	D28/53

**OTHER PUBLICATIONS**

<https://www.youtube.com/watch?v=f-sKSGRcJWw> Babyliss Pro Silver, www.youtube.com, 1 page, reviewed as early as Jan. 2020.\*

\* cited by examiner

*Primary Examiner* — Jennifer Rivard

(74) *Attorney, Agent, or Firm* — Lawrence Cruz, Esq.; Ryan, Mason & Lewis, LLP

(57) **CLAIM**

I claim the ornamental design for a hair shaver with adjustment tool, as shown and described.

**DESCRIPTION**

FIG. 1 is a perspective view of the hair shaver with adjustment tool in accordance with the principles of the present disclosure;

FIG. 2 is a first-side elevational view of the hair shaver with adjustment tool in accordance with the principles of the present disclosure;

FIG. 3 is a second-side elevational view of the hair shaver with adjustment tool in accordance with the principles of the present disclosure;

FIG. 4 is a top plan view of the hair shaver with adjustment tool in accordance with the principles of the present disclosure;

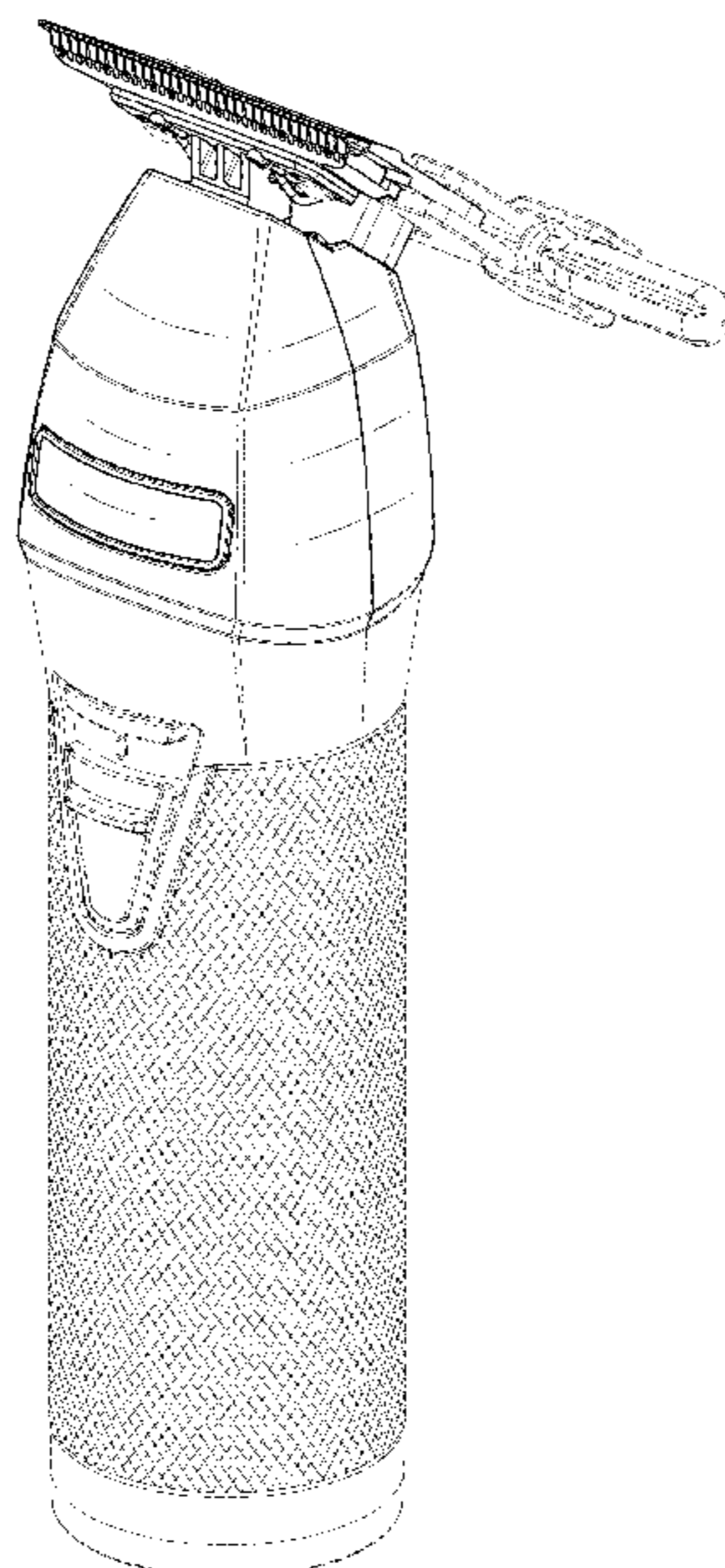
FIG. 5 is a bottom plan view of the hair shaver with adjustment tool in accordance with the principles of the present disclosure;

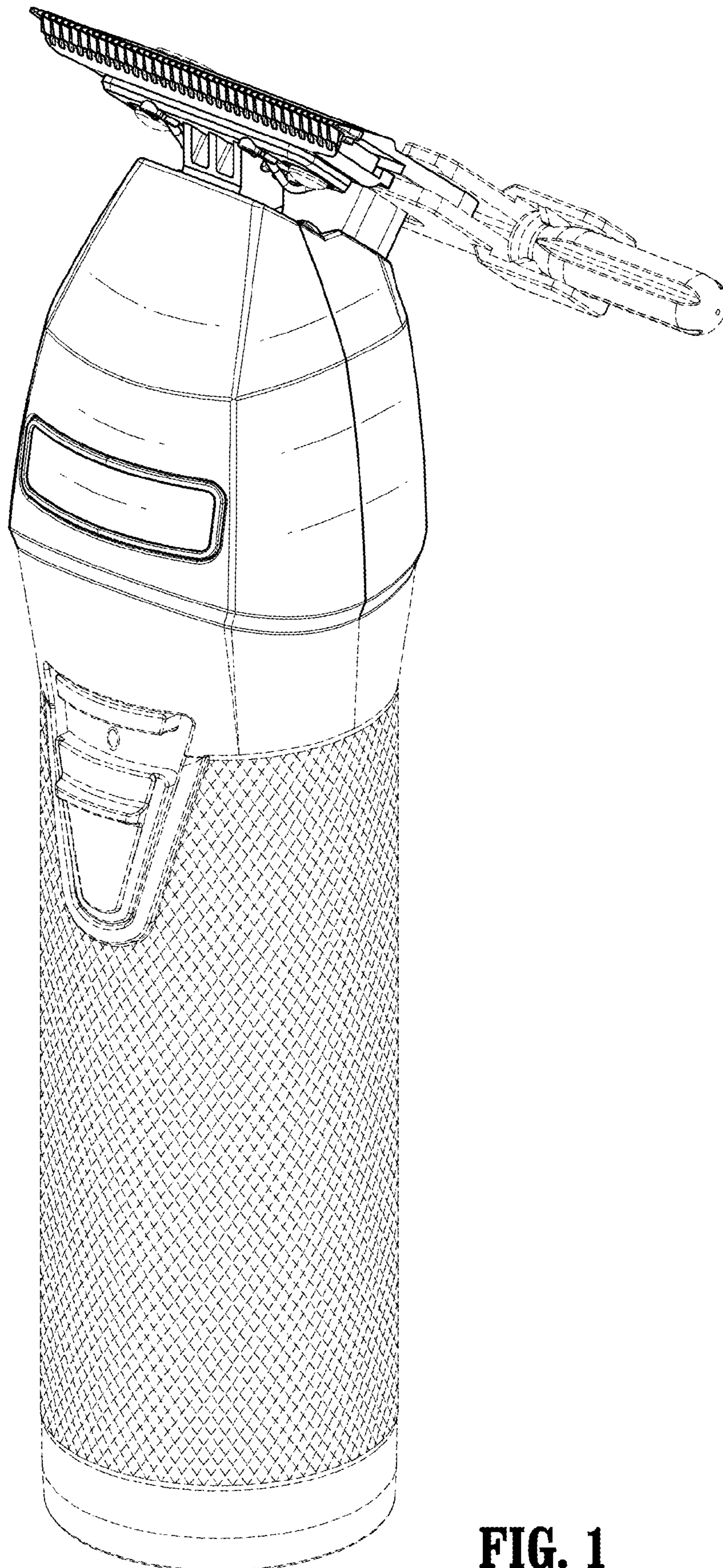
FIG. 6 is a front axial view of the hair shaver with adjustment tool in accordance with the principles of the present disclosure; and,

FIG. 7 is a left-side elevational view of the hair shaver with adjustment tool, the opposite right-side elevational view being the mirror image, in accordance with the principles of the present disclosure.

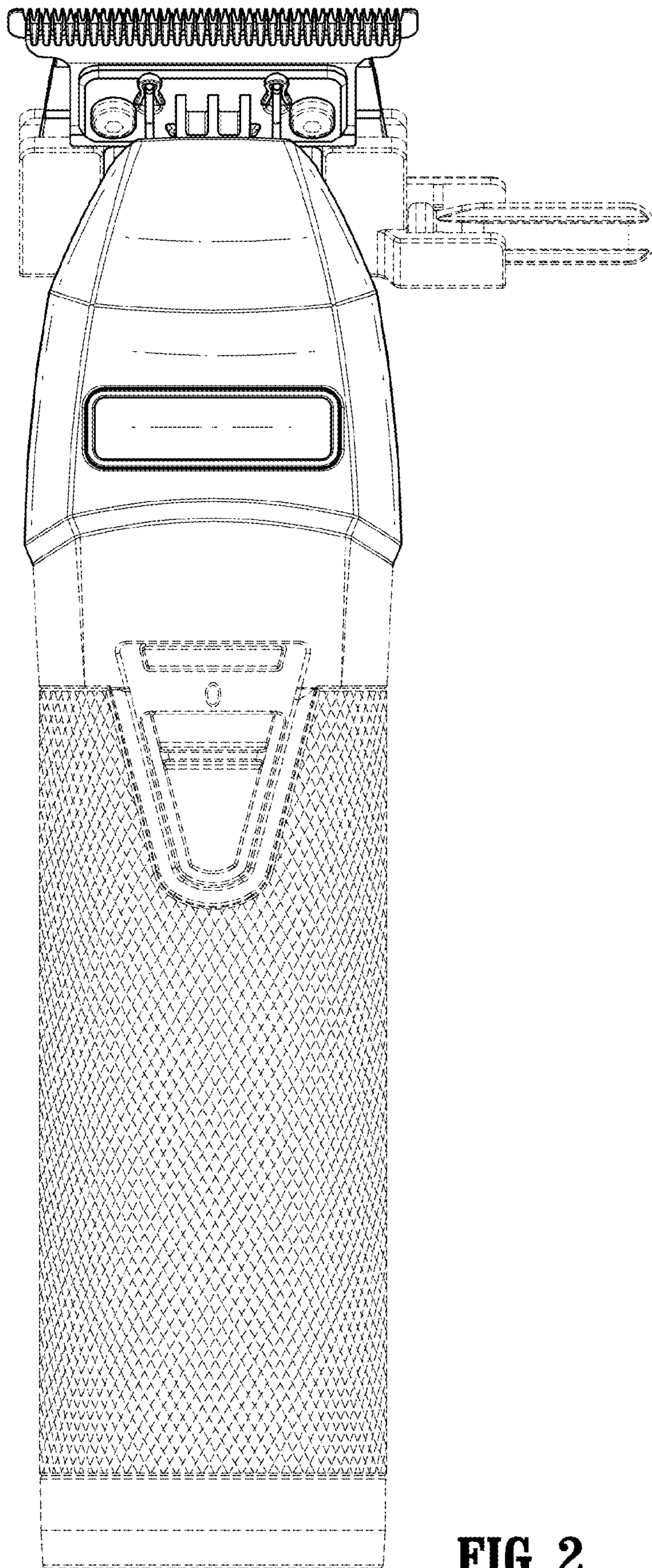
The broken lines illustrate portions of the hair shaver with adjustment tool, and form no part of the claimed design.

**1 Claim, 6 Drawing Sheets**

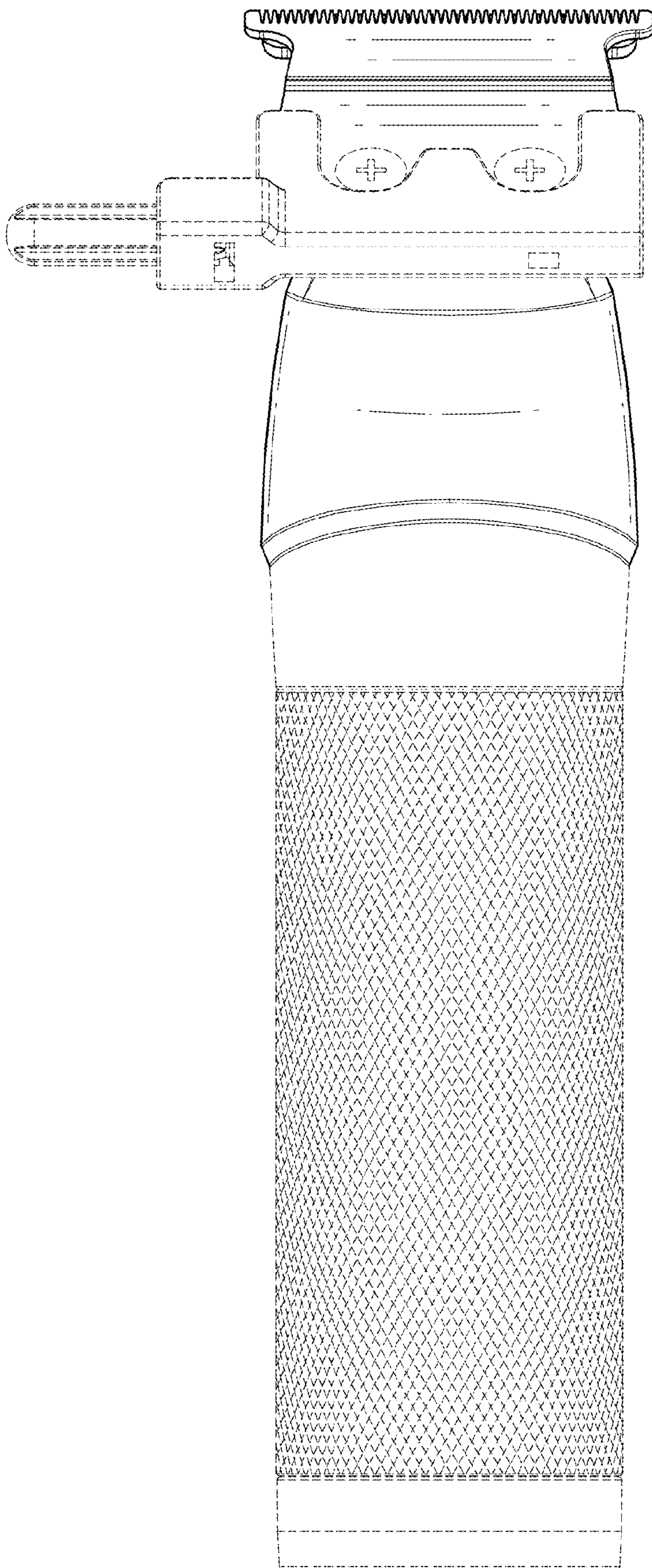




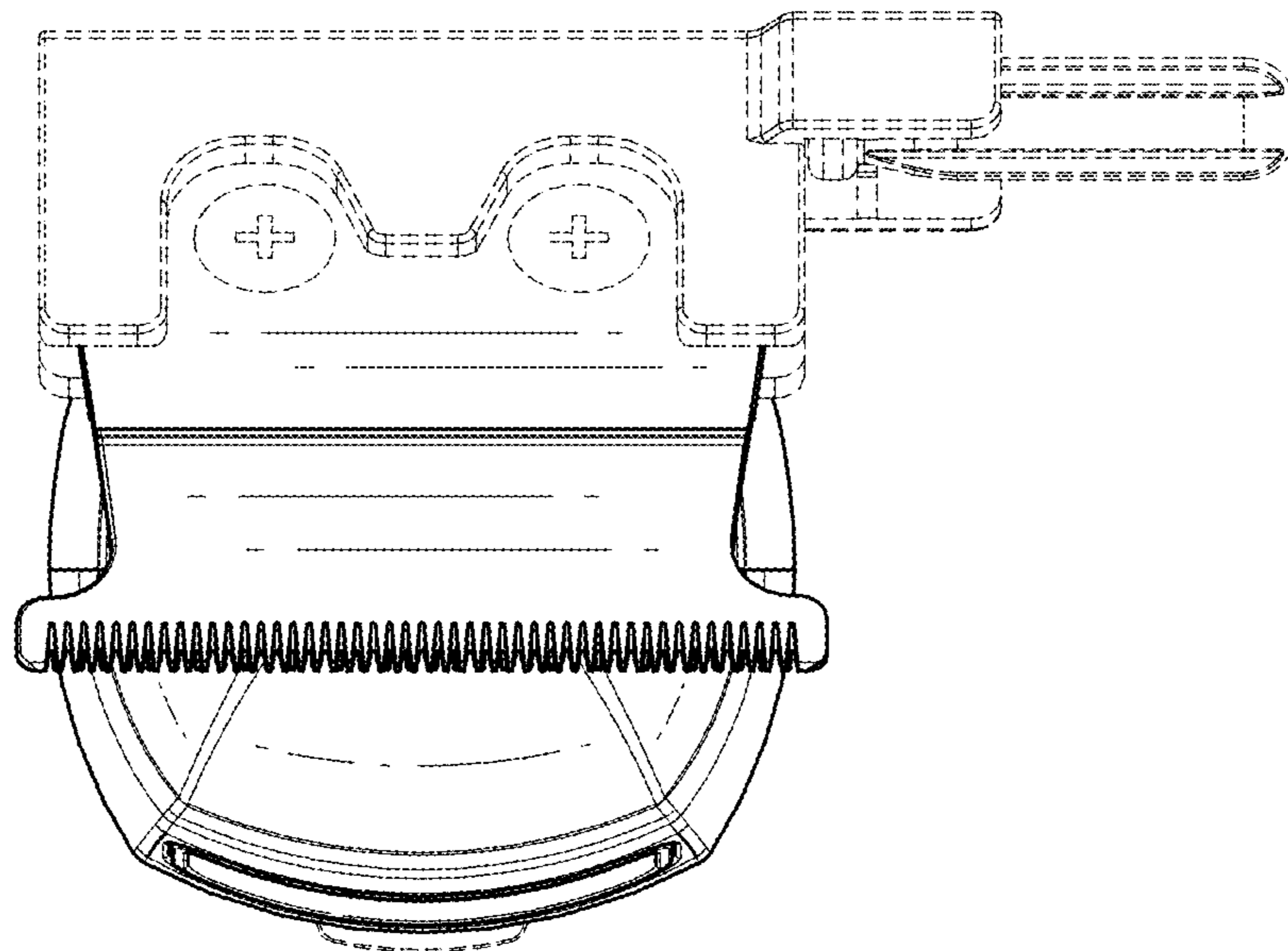
**FIG. 1**



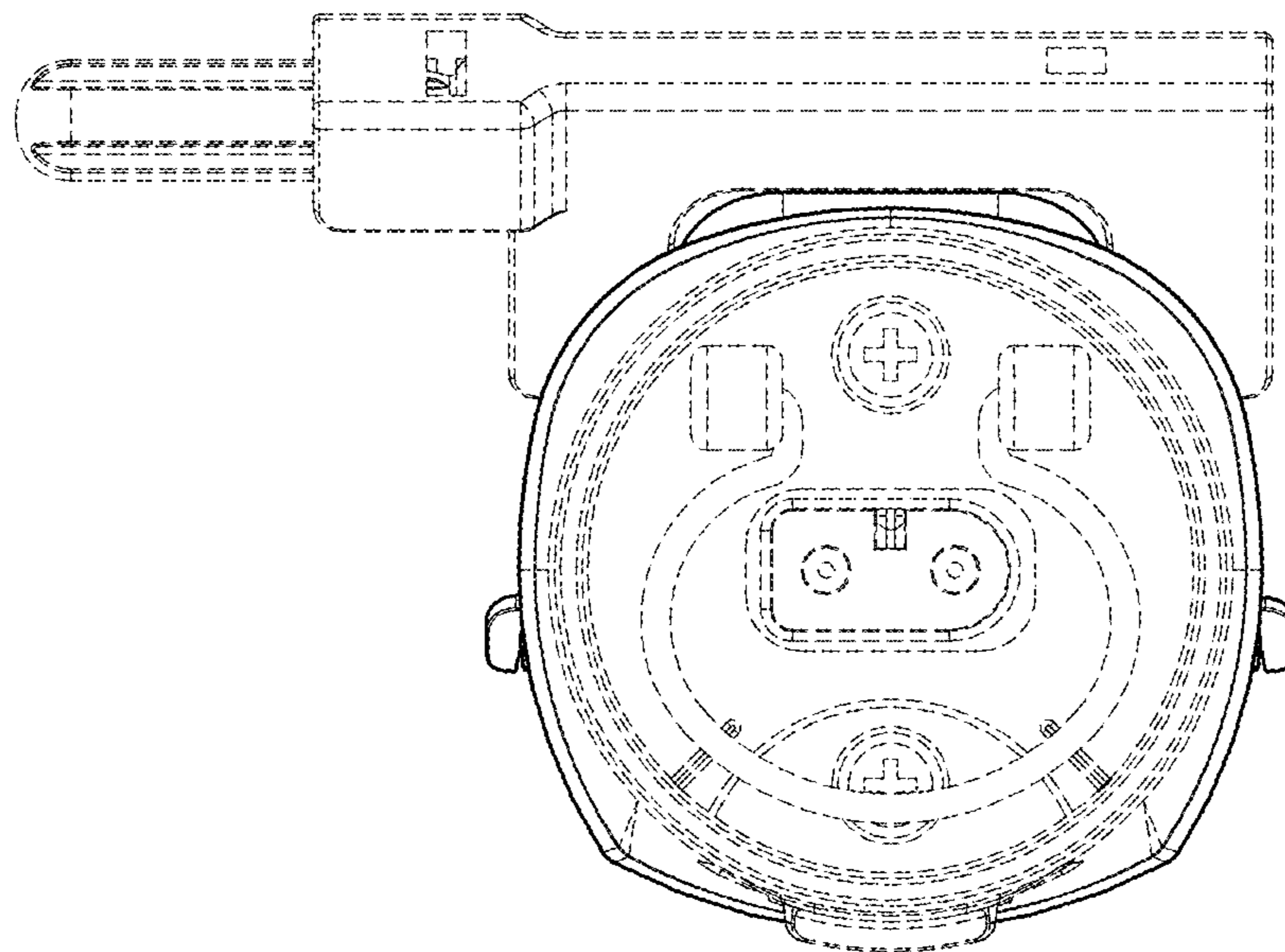
**FIG. 2**



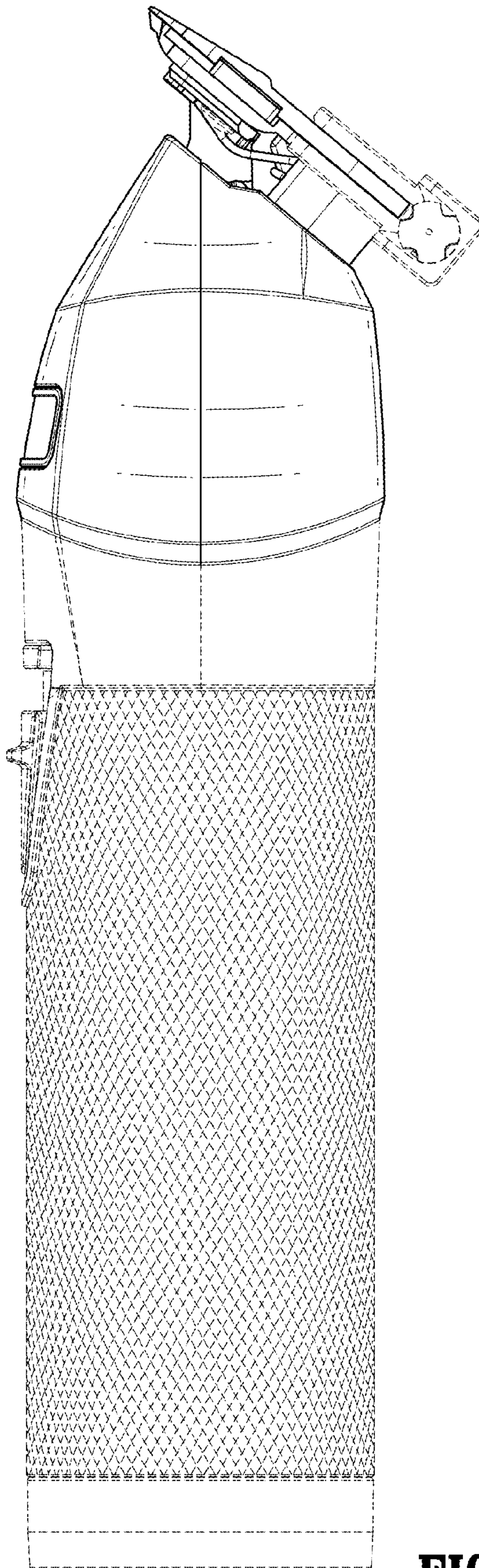
**FIG. 3**



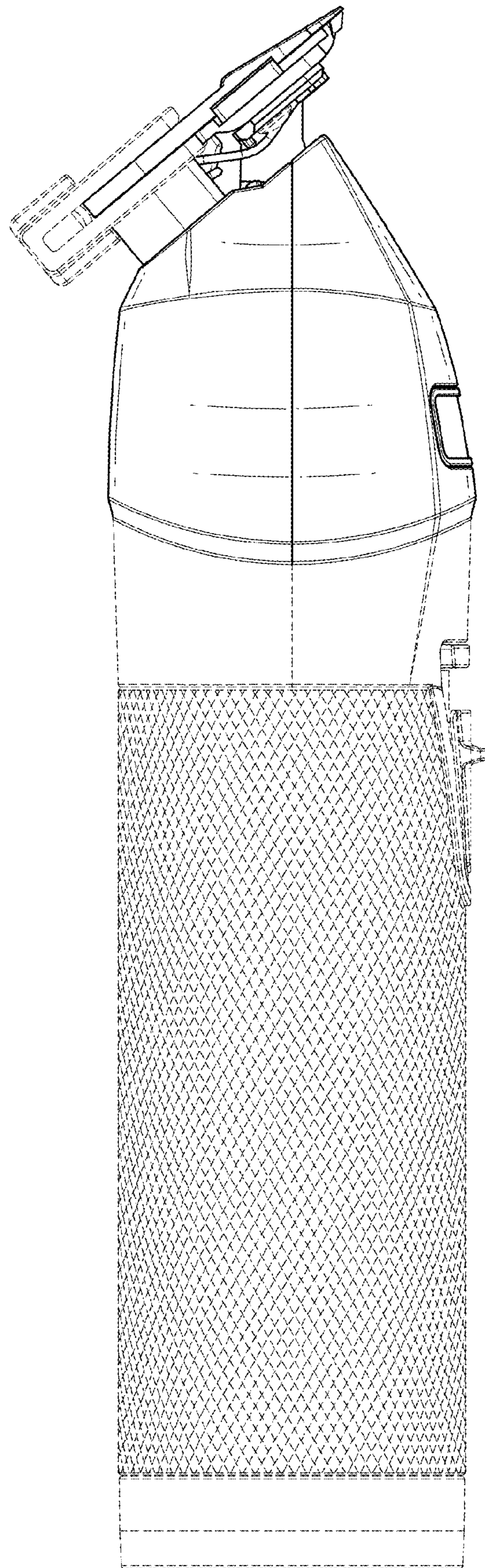
**FIG. 4**



**FIG. 5**



**FIG. 6**



**FIG. 7**