



US00D905344S

(12) **United States Design Patent**
Wang

(10) **Patent No.:** **US D905,344 S**

(45) **Date of Patent:** **** Dec. 15, 2020**

- (54) **SHAVER**
- (71) Applicant: **Xiaojun Wang**, Zhejiang (CN)
- (72) Inventor: **Xiaojun Wang**, Zhejiang (CN)
- (**) Term: **15 Years**
- (21) Appl. No.: **29/687,893**
- (22) Filed: **Apr. 16, 2019**
- (51) **LOC (12) Cl.** **28-03**
- (52) **U.S. Cl.**
USPC **D28/51**; D28/46
- (58) **Field of Classification Search**
USPC D28/46–48, 49, 51, 53, 54
CPC B26B 21/00–06; B26B 21/08–38; B26B
21/44–50; B26B 21/405–4056; B26B
21/52–528; B26B 19/3853–3866; B26B
19/3886; B26B 19/20; B26B 19/205;
B26B 19/22; B26B 19/00–107
See application file for complete search history.

- 2,902,758 A * 9/1959 Pressman B26B 21/20
30/60.5
- 3,015,158 A * 1/1962 Ayotte B26B 21/16
30/41
- D250,849 S * 1/1979 Harshberger D28/46
- D252,528 S * 7/1979 Harshberger D28/46
- D318,142 S * 7/1991 Falchi D28/46
- D342,807 S * 12/1993 Smith D28/46
- D361,637 S * 8/1995 Miskin D28/47
- D672,503 S * 12/2012 Mason D28/45
- D870,379 S * 12/2019 Lambert D28/46
- D875,314 S * 2/2020 Makabi D28/48
- D875,315 S * 2/2020 Makabi D28/48

* cited by examiner

Primary Examiner — Jennifer Rivard

(57) **CLAIM**

I claim the ornamental design for the shaver, as shown and described.

DESCRIPTION

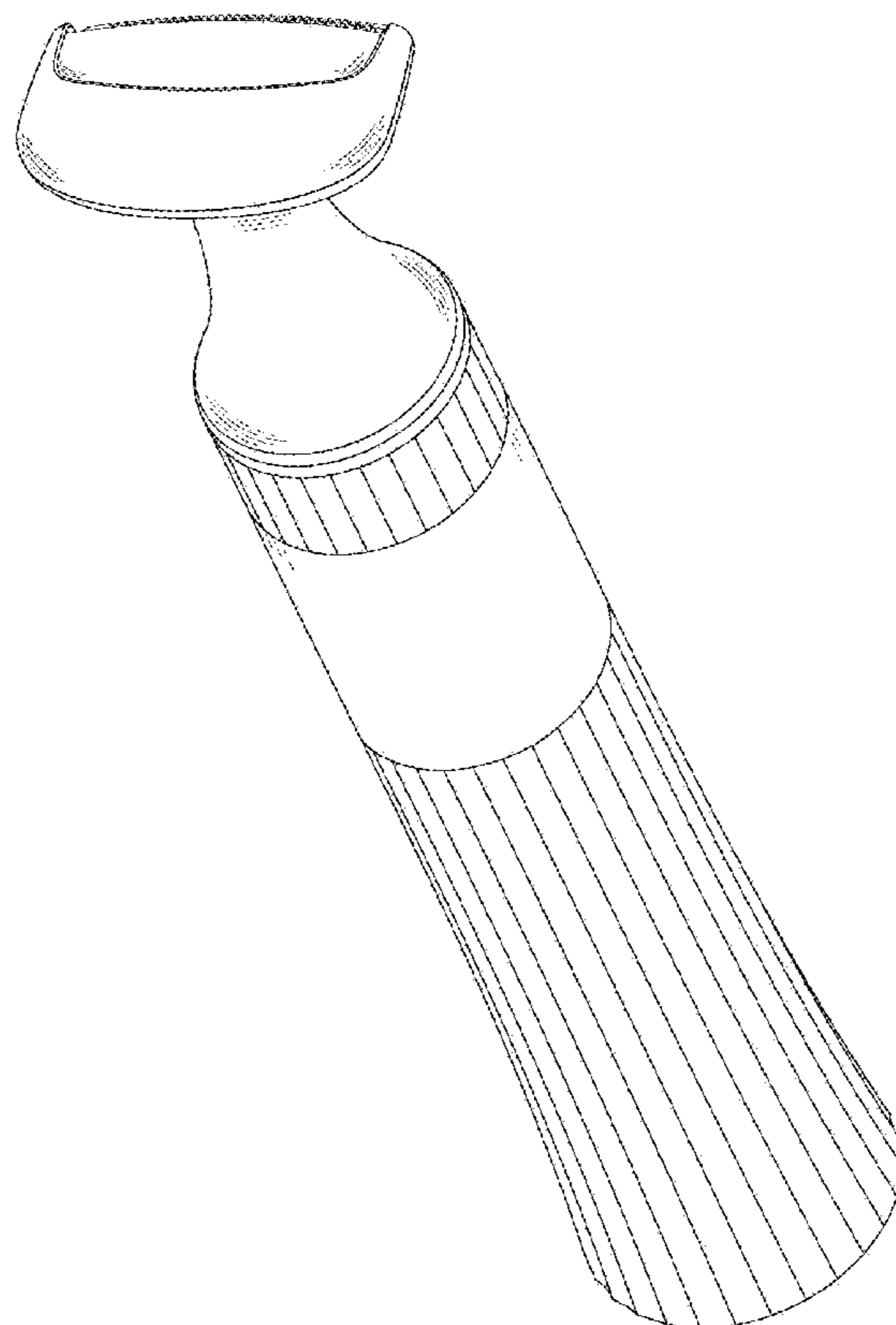
FIG. 1 is a perspective view of a shaver showing my new design;
 FIG. 2 is a front elevational view thereof;
 FIG. 3 is a rear elevational view thereof;
 FIG. 4 is a left side elevational view thereof;
 FIG. 5 is a right side elevational view thereof;
 FIG. 6 is a top plan view thereof; and,
 FIG. 7 is a bottom plan view thereof.

1 Claim, 7 Drawing Sheets

(56) **References Cited**

U.S. PATENT DOCUMENTS

- 1,774,596 A * 9/1930 Friedman B26B 21/24
30/47
- 2,387,765 A * 10/1945 Monnet B26B 21/52
30/34.05
- D161,675 S * 1/1951 Bauder D28/46
- 2,865,096 A * 12/1958 Hanset B26B 21/24
30/40



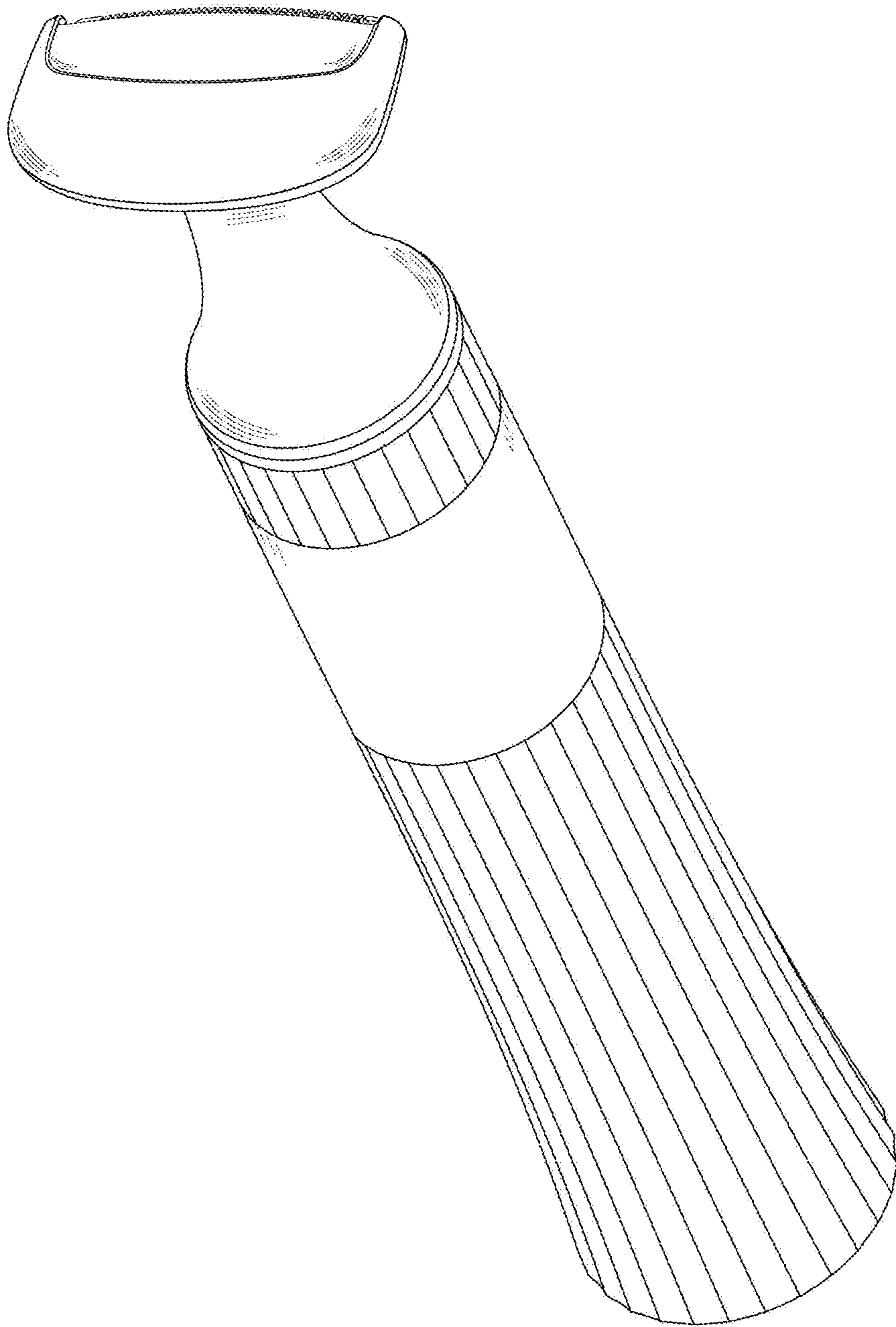


FIG. 1

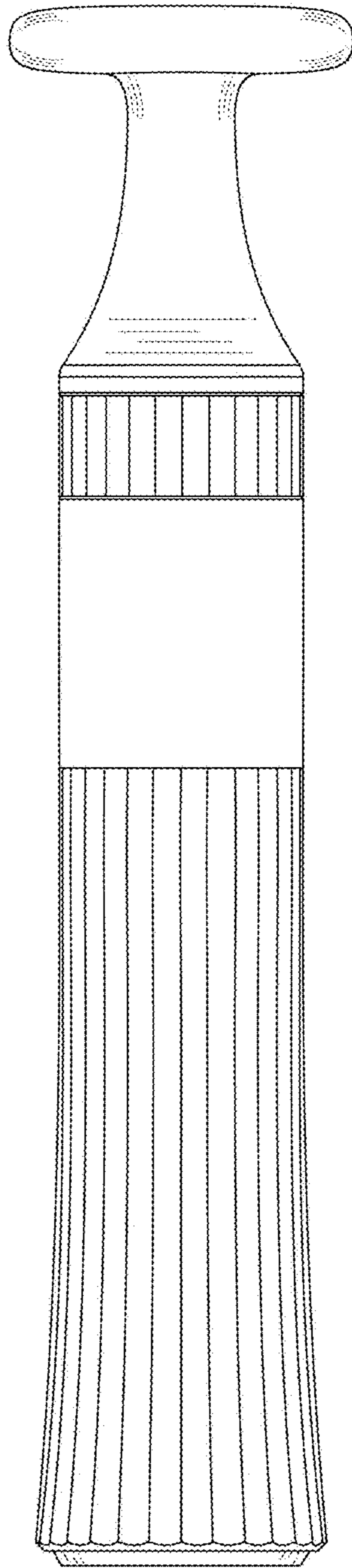


FIG. 2

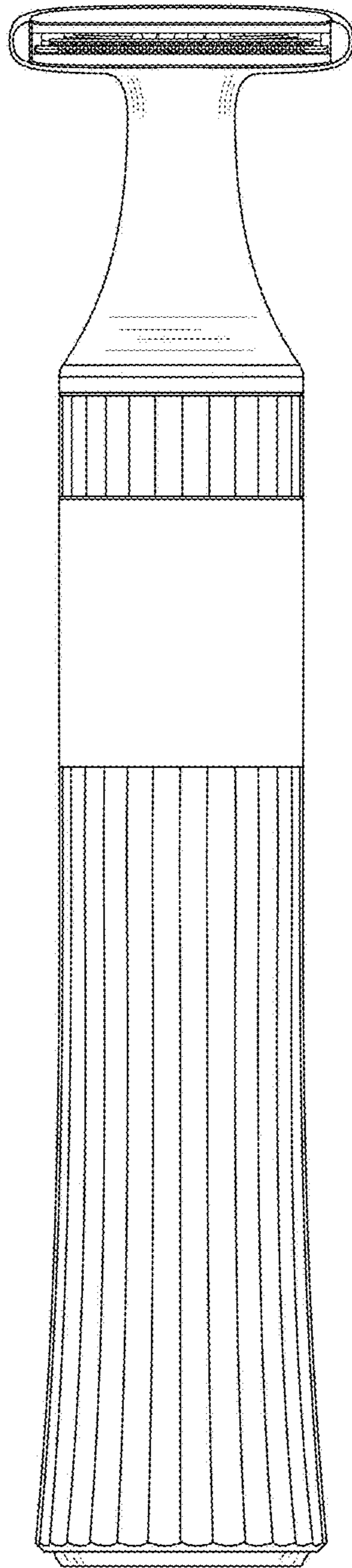


FIG. 3

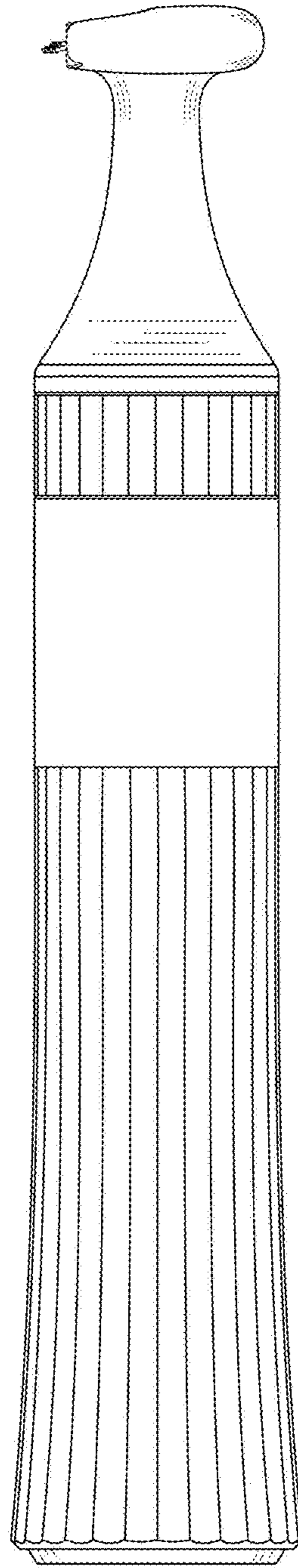


FIG. 4

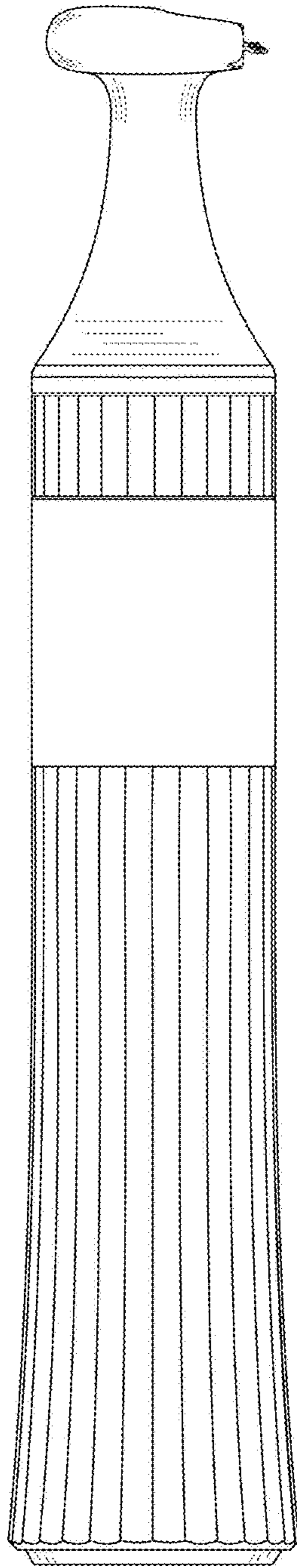


FIG. 5

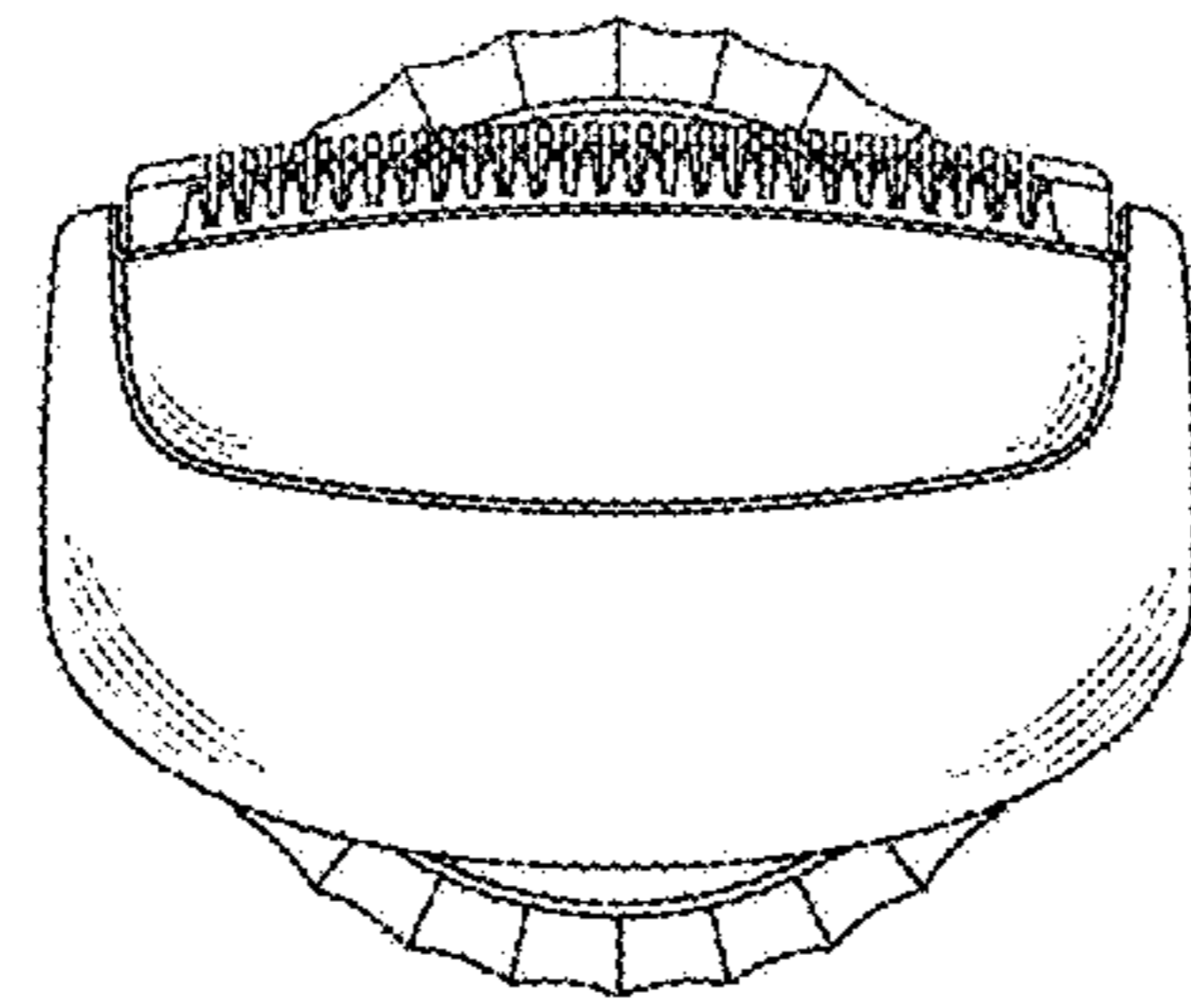


FIG. 6

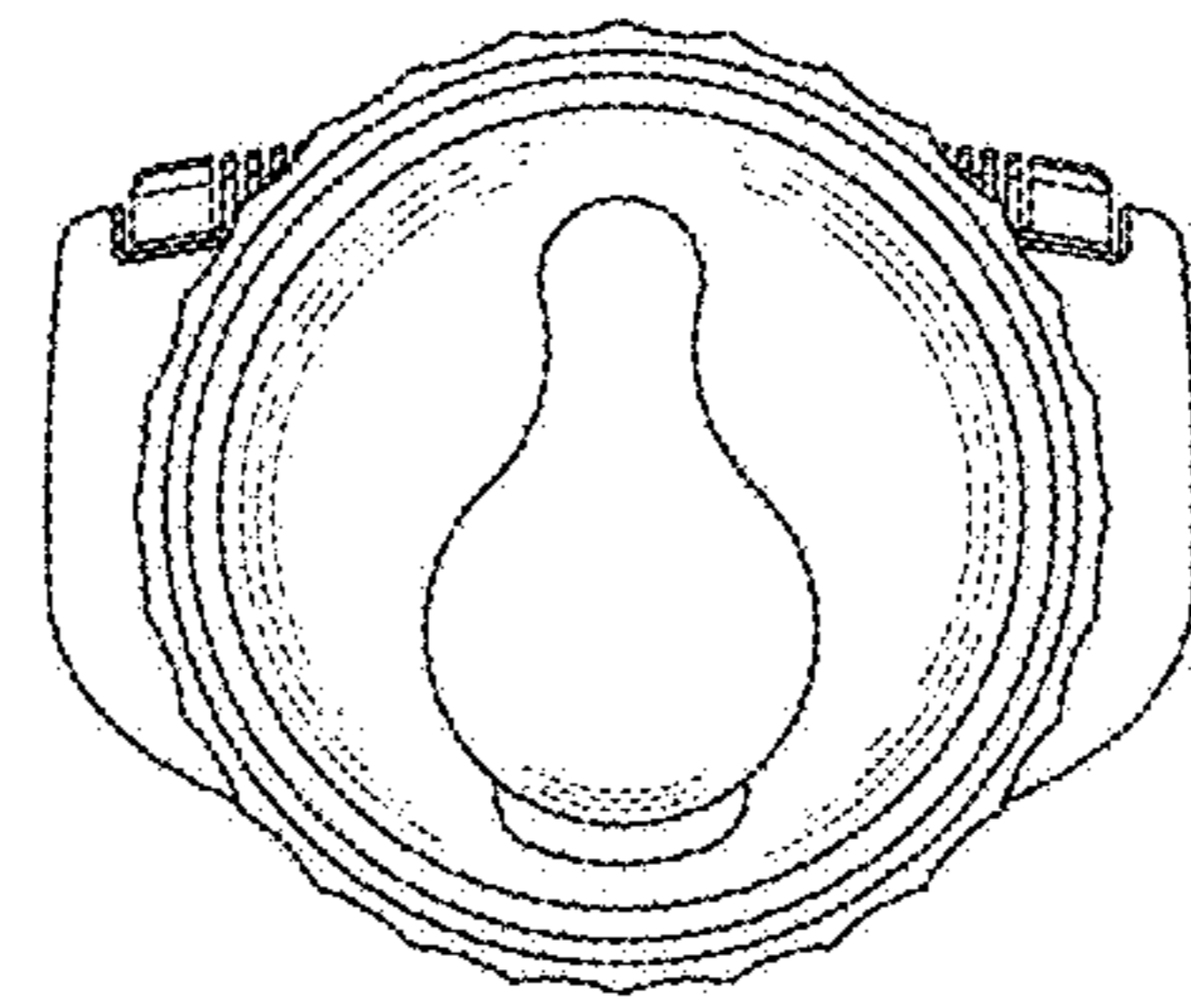


FIG. 7