

US00D905340S

(12) **United States Design Patent** (10) **Patent No.:** **US D905,340 S**  
**Fischer et al.** (45) **Date of Patent:** **\*\* Dec. 15, 2020**

(54) **RAZOR CARTRIDGE LUBRICATION RING**  
(71) Applicant: **Edgewell Personal Care Brands, LLC, Chesterfield, MO (US)**  
(72) Inventors: **Stephan Fischer, Gevelsberg (DE); Jochen Thoene, Wuppertal (DE)**  
(73) Assignee: **EDGEWELL PERSONAL CARE BRANDS, LLC, Chesterfield, MO (US)**  
(\*\*) Term: **15 Years**  
(21) Appl. No.: **29/692,632**  
(22) Filed: **May 28, 2019**  
(51) **LOC (12) Cl.** ..... **28-03**  
(52) **U.S. Cl.**  
USPC ..... **D28/47**  
(58) **Field of Classification Search**  
USPC ..... D28/46-48  
CPC ..... B26B 21/14-227; B26B 21/4006-4031;  
B26B 21/4068-4075; B26B 21/443;  
B26B 21/54-60; B26B 21/525  
See application file for complete search history.

D630,378 S \* 1/2011 Jung ..... D28/47  
D631,198 S 1/2011 Adams et al.  
D634,474 S 3/2011 Wilby  
D638,580 S \* 5/2011 Adams ..... D28/46  
D653,395 S 1/2012 Adams et al.  
D662,661 S 6/2012 Corbeil et al.  
D772,484 S \* 11/2016 Otsuka ..... D28/47  
D778,498 S 2/2017 Petratou et al.  
D784,617 S 4/2017 Petratou et al.  
D819,273 S 5/2018 Cabrera  
D829,380 S 9/2018 Kong  
D866,858 S \* 11/2019 Long ..... D28/47  
D875,313 S \* 2/2020 Kottidi ..... D28/47  
D888,339 S \* 6/2020 Go ..... D28/47  
2005/0028372 A1 \* 2/2005 Brown ..... B26B 21/4012  
30/50  
2014/0360021 A1 \* 12/2014 Sonnenberg ..... B24B 1/00  
30/41

(Continued)

Primary Examiner — Jennifer Rivard

(57) **CLAIM**

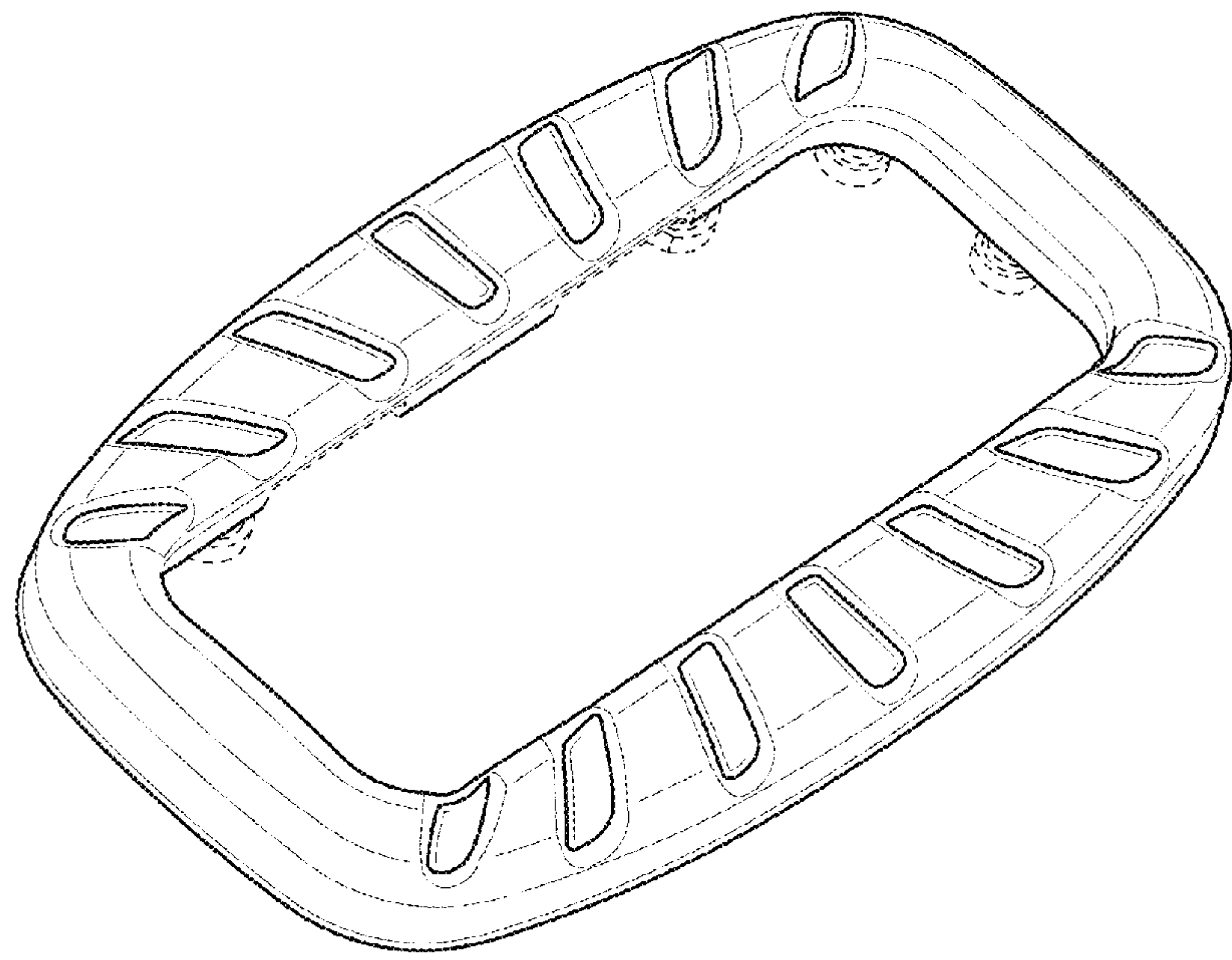
We claim the ornamental design for the razor cartridge lubrication ring, as shown and described.

**DESCRIPTION**

FIG. 1 is an upper perspective view of a razor cartridge lubrication ring.  
FIG. 2 is a lower perspective view thereof.  
FIG. 3 is a top view thereof.  
FIG. 4 is a bottom view thereof.  
FIG. 5 is a front view thereof.  
FIG. 6 is a rear view, opposite the view of FIG. 5.  
FIG. 7 is a side view thereof; and,  
FIG. 8 is a side view, opposite the view of FIG. 7.  
The broken line in the figures is for the purpose of illustrating portions of the razor cartridge lubrication ring and forms no part of the claimed design.

**1 Claim, 3 Drawing Sheets**

(56) **References Cited**  
U.S. PATENT DOCUMENTS  
D415,315 S 10/1999 Swanson et al.  
D524,986 S \* 7/2006 Prudden, Jr. .... D28/47  
D547,494 S 7/2007 Watson et al.  
D550,440 S 9/2007 Orloff et al.  
D556,378 S 11/2007 Watson et al.  
D563,043 S 2/2008 Ramm  
D563,044 S 2/2008 Ramm  
D609,404 S 2/2010 Peyser et al.  
D622,904 S 8/2010 Kinard et al.  
D627,100 S 11/2010 Kinard et al.  
D627,101 S 11/2010 Kinard et al.  
D627,518 S 11/2010 Kinard et al.



(56)

**References Cited**

U.S. PATENT DOCUMENTS

2015/0158191 A1\* 6/2015 Jeong ..... B26B 21/4018  
30/41  
2016/0158948 A1\* 6/2016 Eagleton ..... B26B 21/443  
30/34.2

\* cited by examiner

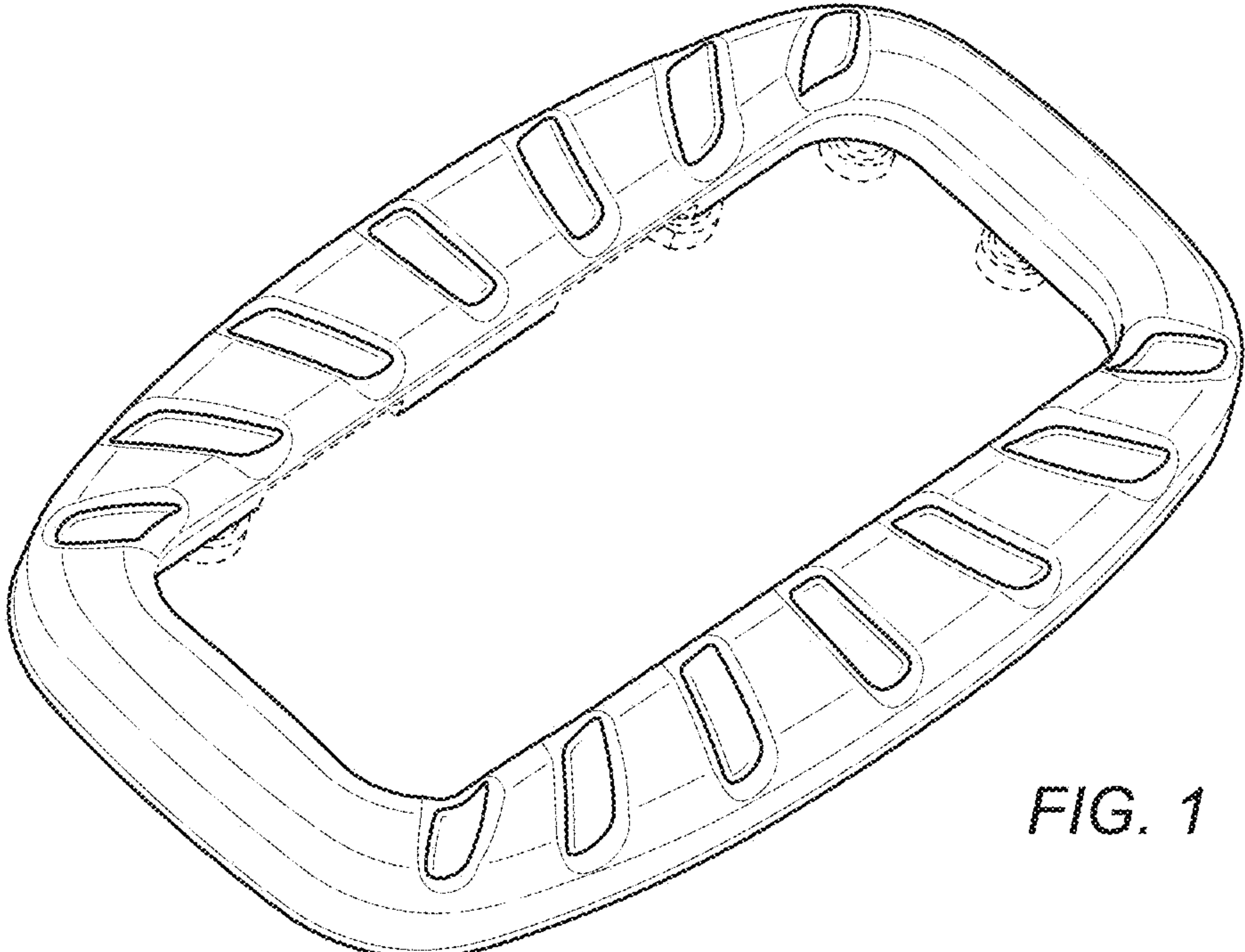


FIG. 1

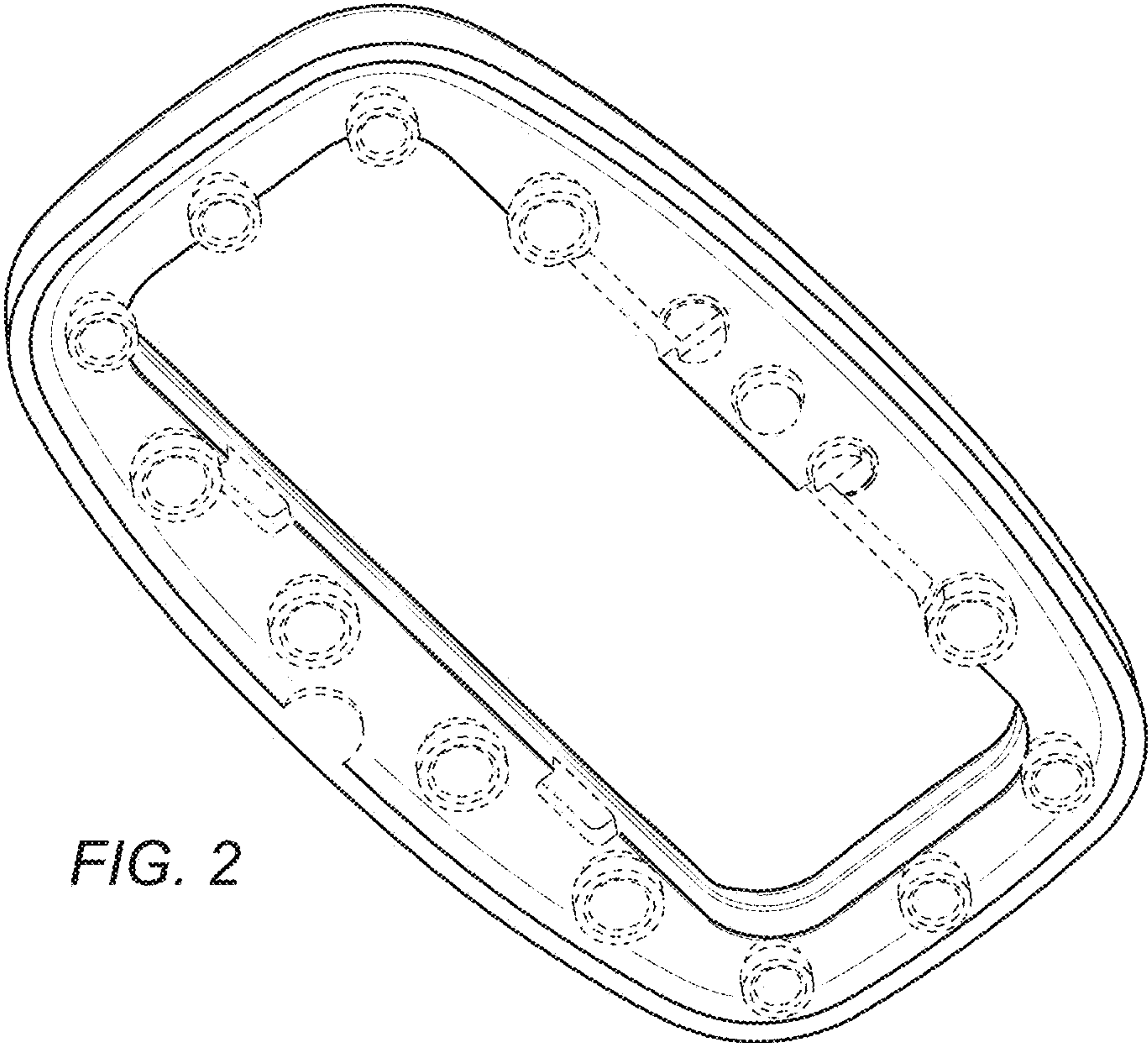


FIG. 2



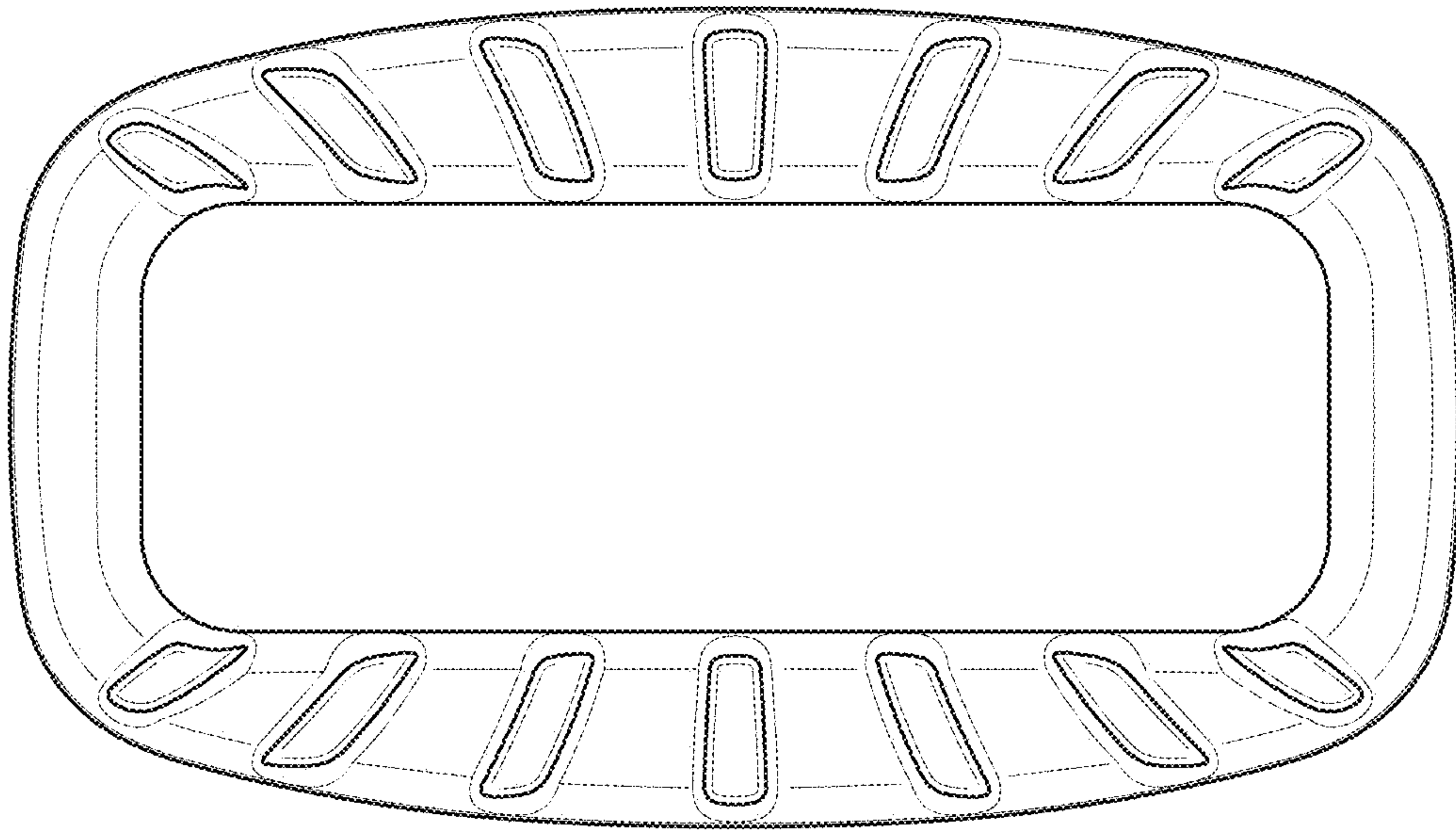


FIG. 3

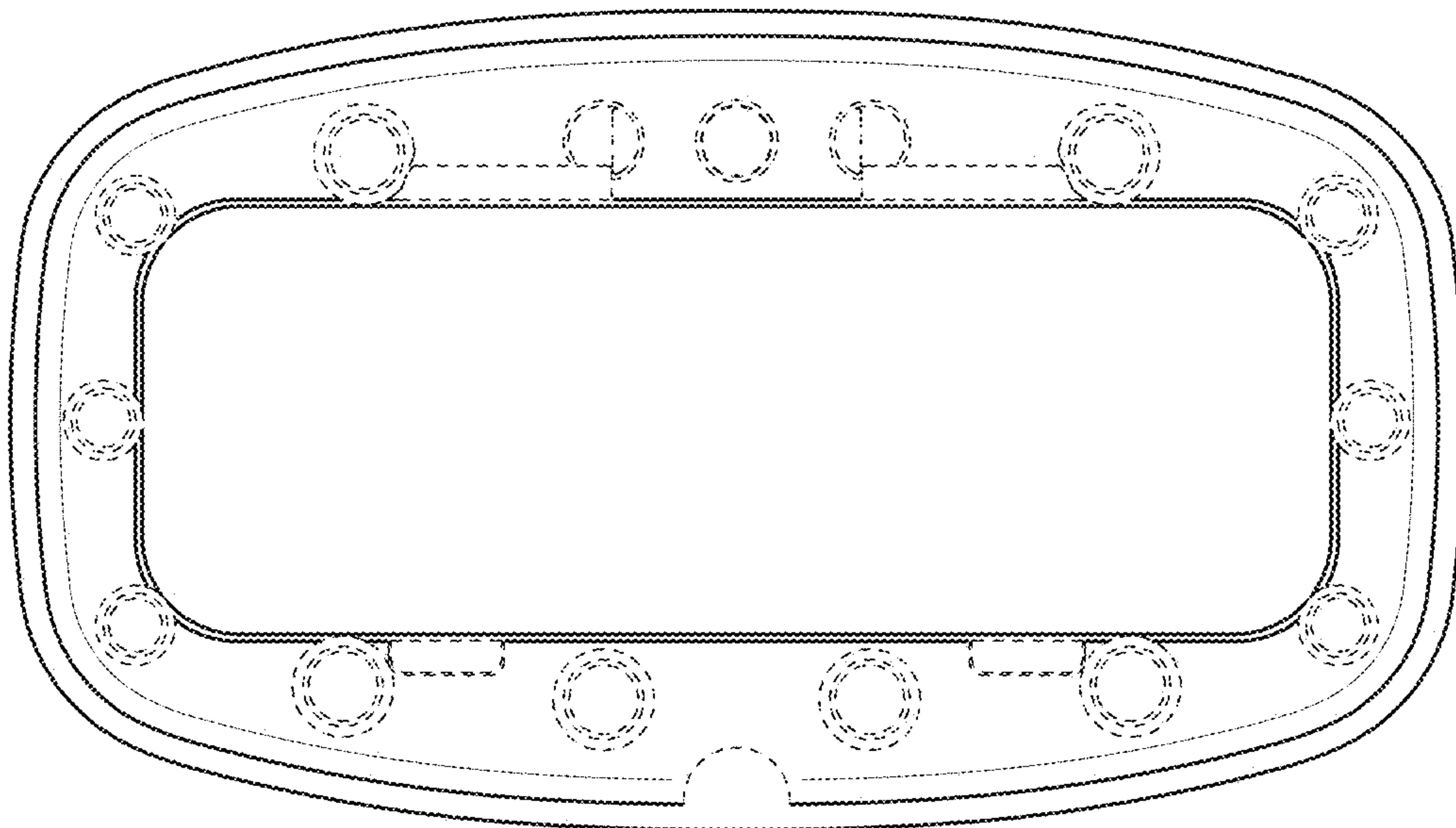


FIG. 4

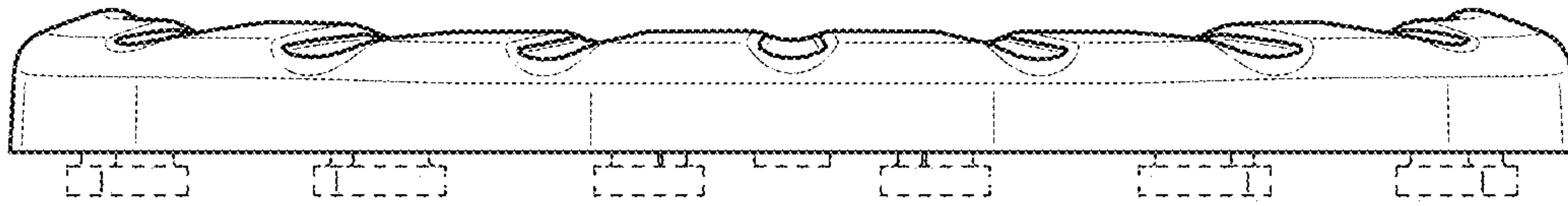


FIG. 5

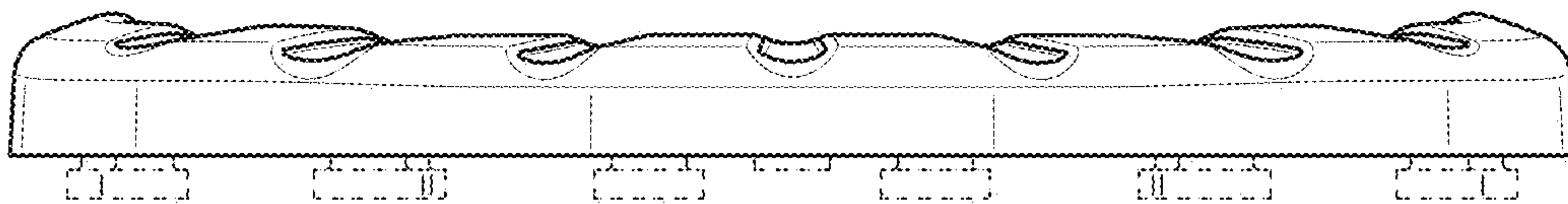


FIG. 6

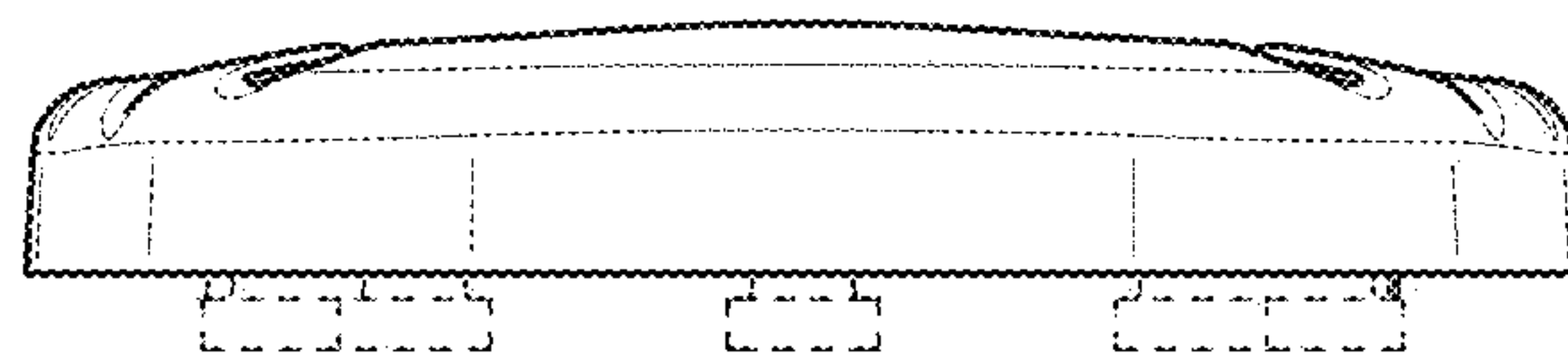


FIG. 7

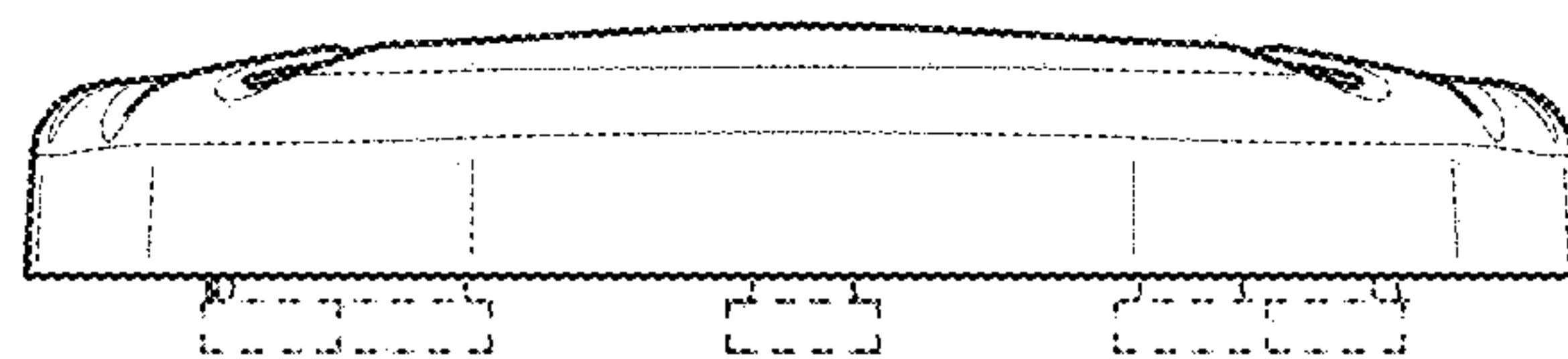


FIG. 8