



US00D905339S

(12) **United States Design Patent**
Roche

(10) **Patent No.:** **US D905,339 S**

(45) **Date of Patent:** **** Dec. 15, 2020**

- (54) **SAFETY RAZOR BLADE ASSEMBLY**
- (71) Applicant: **Edgewell Personal Care Brands, LLC**, Chesterfield, MO (US)
- (72) Inventor: **Donald Roche**, Milford, CT (US)
- (73) Assignee: **EDGEWELL PERSONAL CARE BRANDS, LLC**, Chesterfield, MO (US)
- (**) Term: **15 Years**
- (21) Appl. No.: **29/688,808**
- (22) Filed: **Apr. 24, 2019**
- (51) **LOC (12) Cl.** **28-03**
- (52) **U.S. Cl.**
USPC **D28/47**
- (58) **Field of Classification Search**
USPC D28/46-48
CPC B26B 21/14-227; B26B 21/4006-4031;
B26B 21/4068-4075; B26B 21/443;
B26B 21/54-60; B26B 21/525; B26B
21/08-10
See application file for complete search history.

- 3,176,393 A * 4/1965 Taylor B26B 21/20
30/60.5
- 3,842,499 A 10/1974 Dorion, Jr. et al.
- 3,849,882 A * 11/1974 Ferraro B26B 21/54
30/346.58
- 3,872,588 A * 3/1975 Bogaty B26B 21/56
30/50
- 3,938,250 A 2/1976 Perry
- 4,031,620 A 6/1977 Pomfret
- 4,302,876 A * 12/1981 Emmett B26B 21/222
30/346.58
- 4,324,041 A * 4/1982 Trotta B26B 21/54
30/47
- 4,562,645 A * 1/1986 Dato B26B 21/4068
30/346.58
- 5,012,576 A * 5/1991 Johannesson B26B 19/148
30/133
- 5,412,872 A * 5/1995 Iderosa B26B 21/4012
30/50
- D457,269 S * 5/2002 Arey D28/47
- 6,505,403 B1 * 1/2003 Andrews B26B 21/00
30/29.5

(Continued)

Primary Examiner — Jennifer Rivard

(57) **CLAIM**

I claim the ornamental design for the safety razor blade assembly, as shown and described.

DESCRIPTION

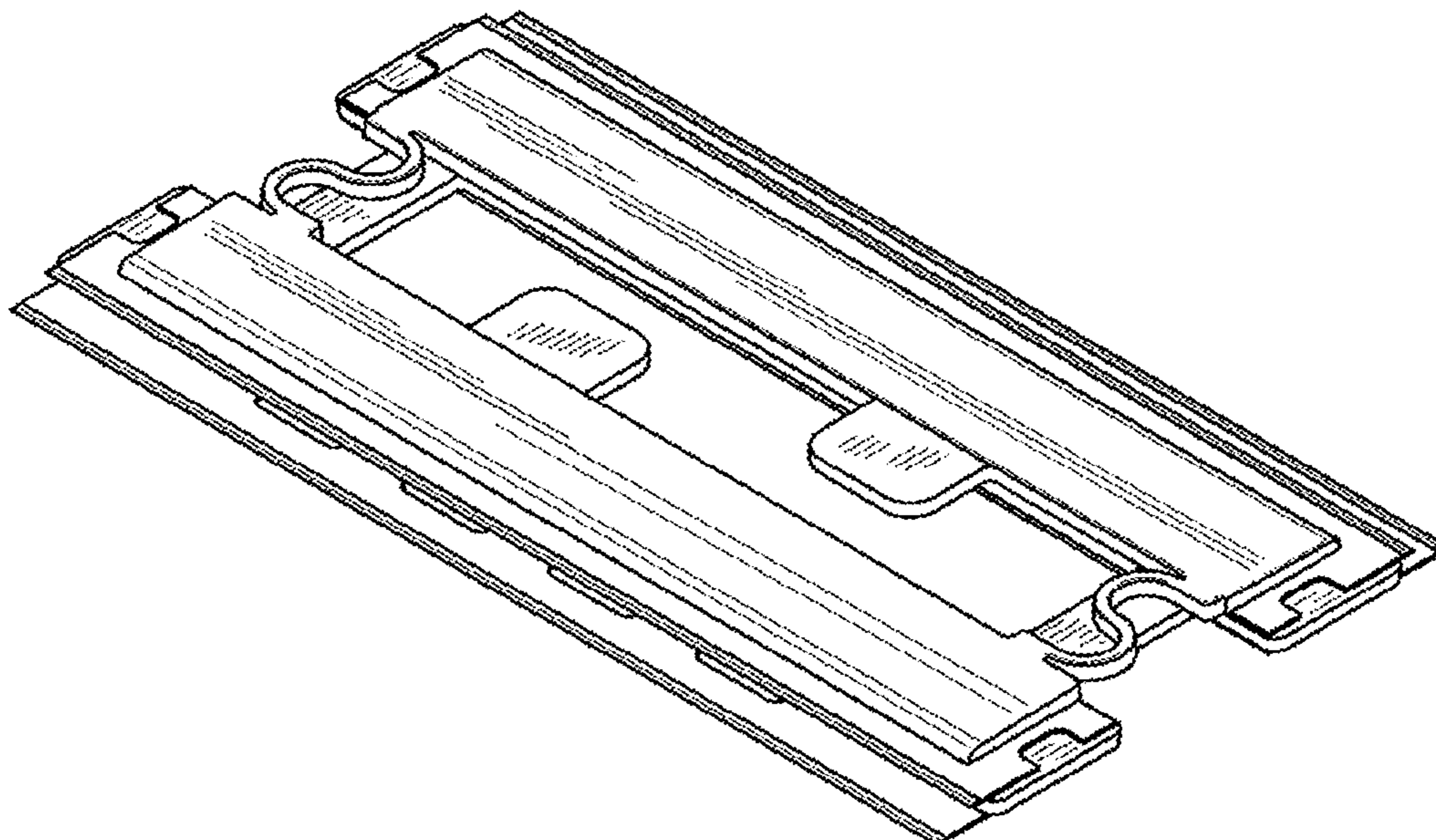
FIG. 1 is an upper perspective view of a safety razor blade assembly.
 FIG. 2 is a lower perspective view thereof.
 FIG. 3 is a top view thereof.
 FIG. 4 is a bottom view thereof.
 FIG. 5 is a front view.
 FIG. 6 is a rear view.
 FIG. 7 is a left side view of FIG. 3; and,
 FIG. 8 is a right side view of FIG. 3.

1 Claim, 3 Drawing Sheets

(56) **References Cited**

U.S. PATENT DOCUMENTS

- 839,447 A * 12/1906 Arnold B26B 21/10
30/53
- 1,229,824 A * 6/1917 Tewelow B26B 19/148
30/29.5
- 1,266,868 A * 5/1918 Sheehan B26B 21/56
30/346.59
- 1,820,407 A * 8/1931 Thompson B26B 21/56
30/346.54
- 2,080,860 A * 5/1937 Firneburg B26B 21/56
30/346.58
- 2,794,252 A * 6/1957 Plesch B26B 21/54
30/346.58



(56)

References Cited

U.S. PATENT DOCUMENTS

6,519,856 B1 * 2/2003 Dischler B26B 21/22
30/346.57
D495,827 S * 9/2004 Branden D28/47
D497,219 S * 10/2004 Branden A47L 13/08
D28/47
D776,384 S * 1/2017 Eldridge D32/46
D830,632 S * 10/2018 Hage D28/46
D858,879 S * 9/2019 Brormann B26B 21/28
D28/47
10,543,606 B2 * 1/2020 Schatz B26B 21/28
2012/0311864 A1 * 12/2012 Brormann B26B 21/10
30/48
2018/0161999 A1 * 6/2018 Depaz B26B 21/4012

* cited by examiner

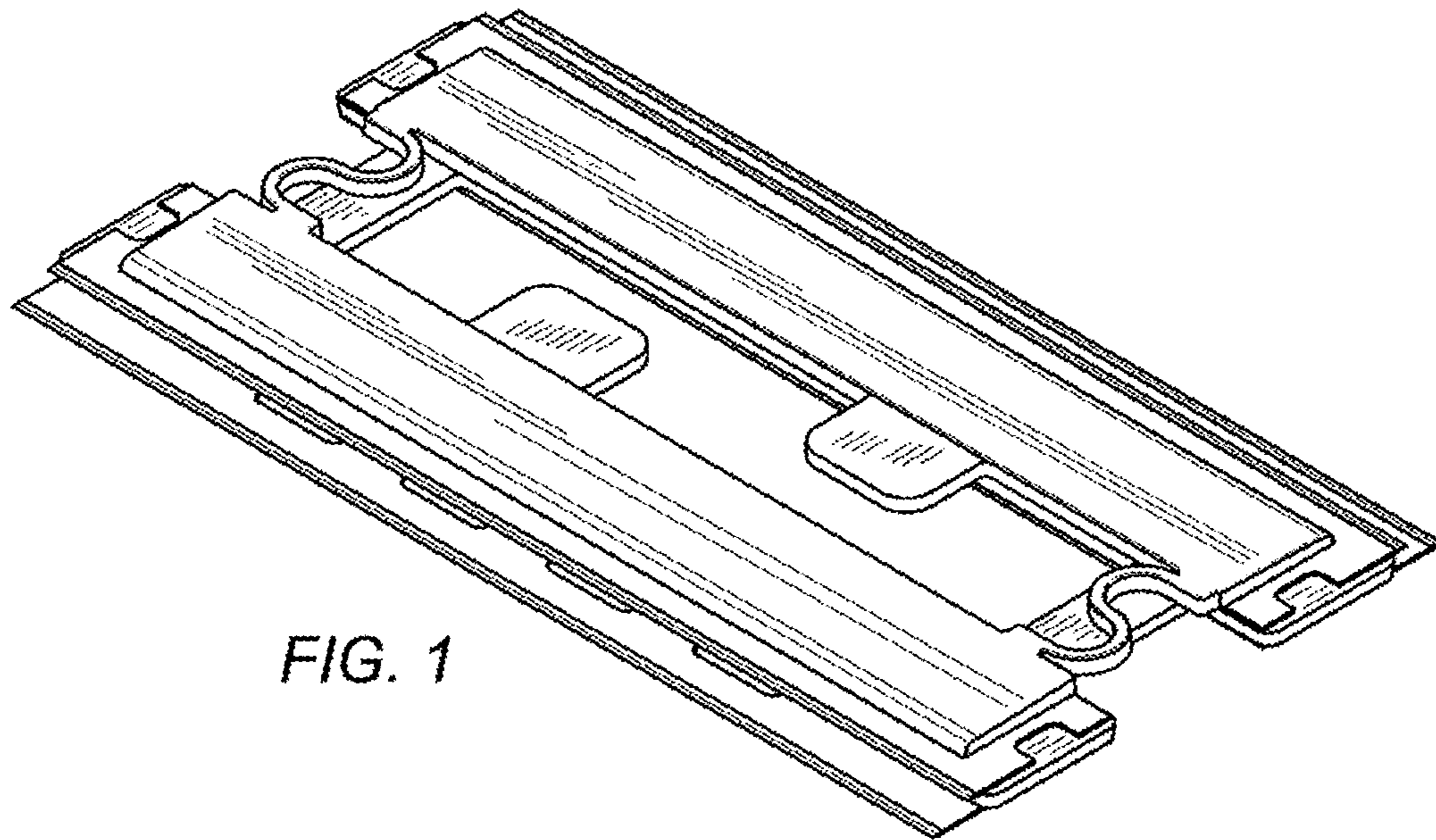


FIG. 1

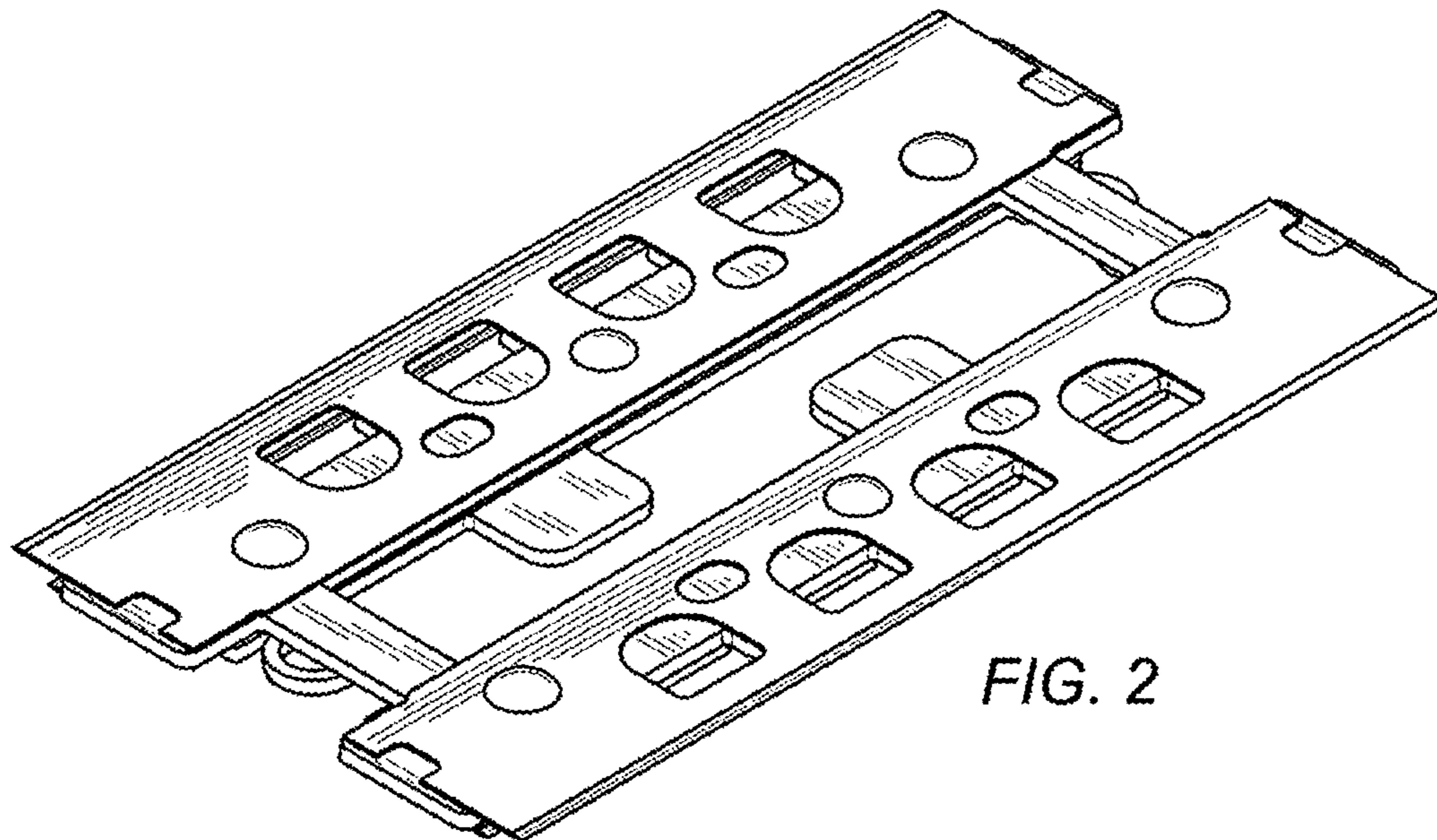


FIG. 2

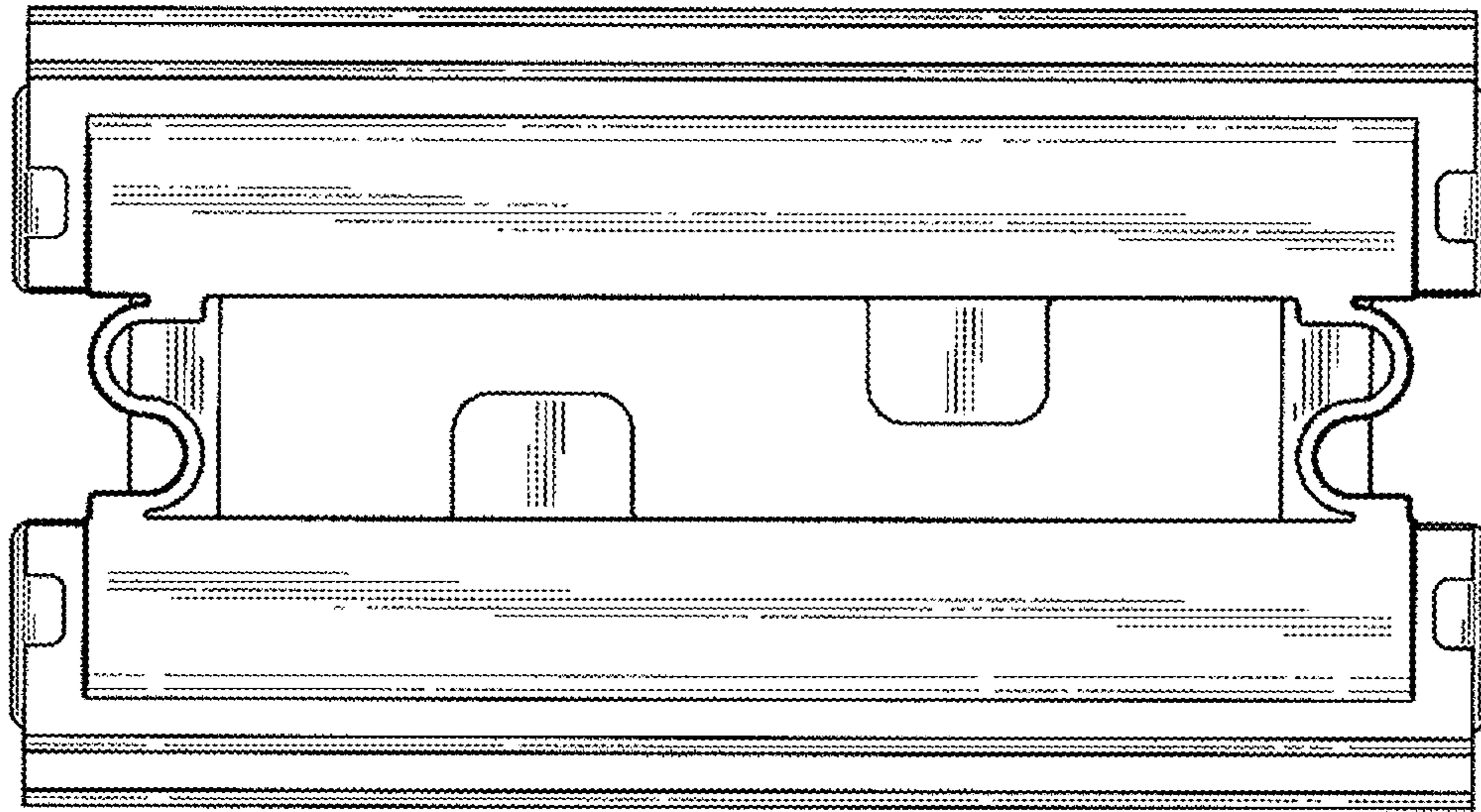


FIG. 3

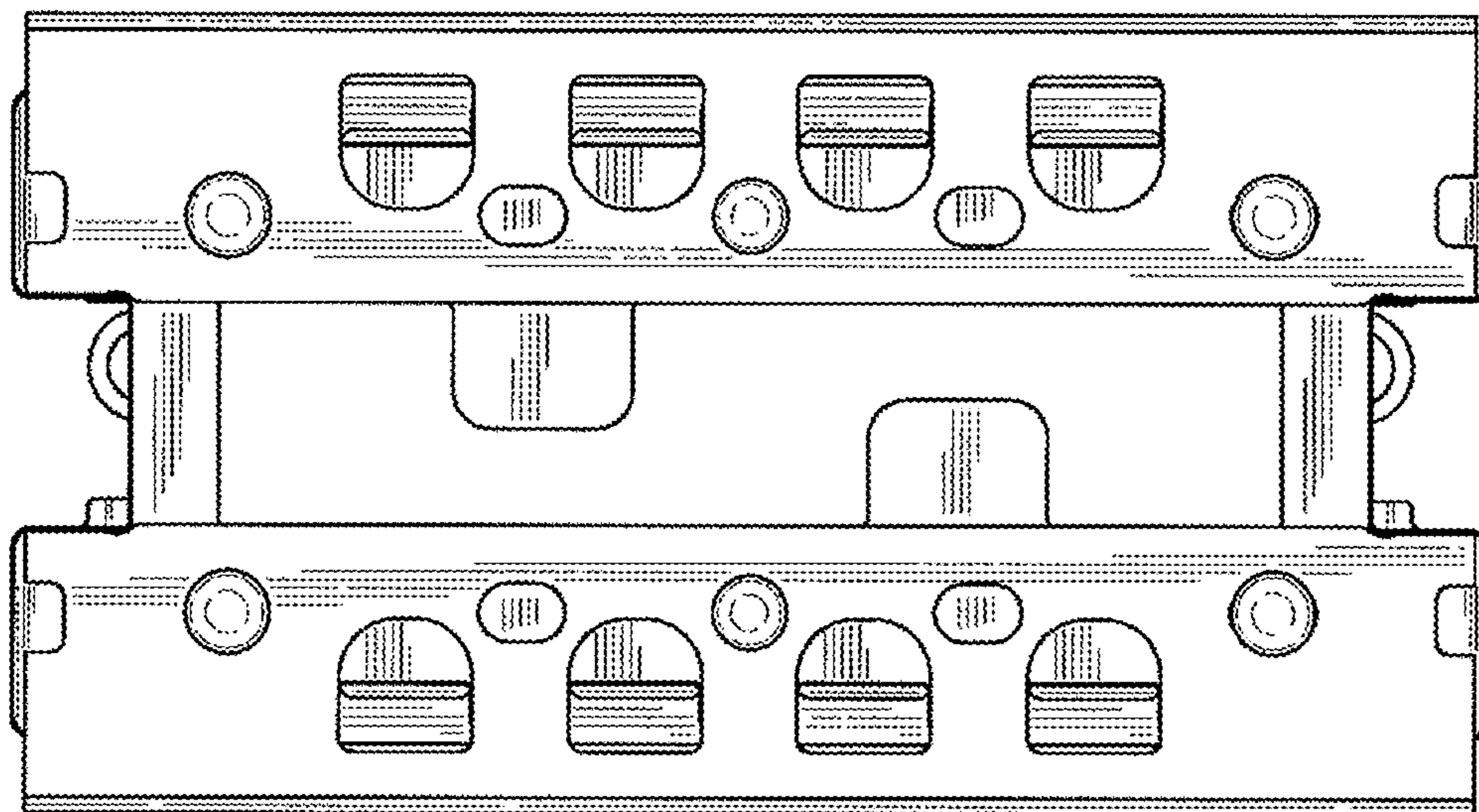


FIG. 4



FIG. 5



FIG. 6



FIG. 7



FIG. 8