



US00D905338S

(12) **United States Design Patent** (10) **Patent No.:** **US D905,338 S**
Wattam et al. (45) **Date of Patent:** **** Dec. 15, 2020**

(54) **RAZOR HANDLE**

(71) Applicant: **The Gillette Company LLC**, Boston, MA (US)

(72) Inventors: **Christopher James Wattam**, Windsor (GB); **Trevor John Whelan**, Thatcham (GB); **Anthony William Shorey**, Thatcham (GB); **Sean Peter Clarke**, Henley on Thames (GB)

(73) Assignee: **The Gillette Company LLC**, Boston, MA (US)

(**) Term: **15 Years**

(21) Appl. No.: **29/684,133**

(22) Filed: **Mar. 19, 2019**

(51) **LOC (12) Cl.** **28-03**

(52) **U.S. Cl.**
USPC **D28/47**

(58) **Field of Classification Search**
USPC D28/46-48

CPC B26B 21/00-06; B26B 21/08-38; B26B 21/44-50; B26B 21/405-4056; B26B 21/52-528

See application file for complete search history.

(56) **References Cited**

U.S. PATENT DOCUMENTS

D327,550 S 6/1992 Byrne
D478,687 S * 8/2003 Provost D28/48
D650,946 S 12/2011 Andersen
D700,995 S 3/2014 Lee

D739,604 S * 9/2015 Christie D28/48
D745,215 S * 12/2015 Go D28/48
D750,324 S * 2/2016 Bae D28/48
D773,734 S * 12/2016 Li D28/48
D775,422 S * 12/2016 Faktorovich D28/46
D789,609 S * 6/2017 Kong D28/48
D792,025 S * 7/2017 Faktorovich D28/48
D802,842 S 11/2017 Ngo
D812,815 S * 3/2018 Psimadas D28/48
D861,251 S * 9/2019 Cabrera D28/46
D863,681 S * 10/2019 Jin D28/48
D864,482 S * 10/2019 Goeder D28/48
D882,174 S * 4/2020 Goeder D28/48
D883,571 S * 5/2020 Psimadas D28/48
2020/0114535 A1 * 4/2020 Wattam B26B 21/522

* cited by examiner

Primary Examiner — Jennifer Rivard

(74) *Attorney, Agent, or Firm* — Kevin C. Johnson

(57) **CLAIM**

The ornamental design for a razor handle, as shown and described.

DESCRIPTION

FIG. 1 is a perspective view of a razor handle of the present invention;

FIG. 2 is a front view of the razor handle of FIG. 1;

FIG. 3 is a back view of the razor handle of FIG. 1;

FIG. 4 is a right side view of the razor handle of FIG. 1;

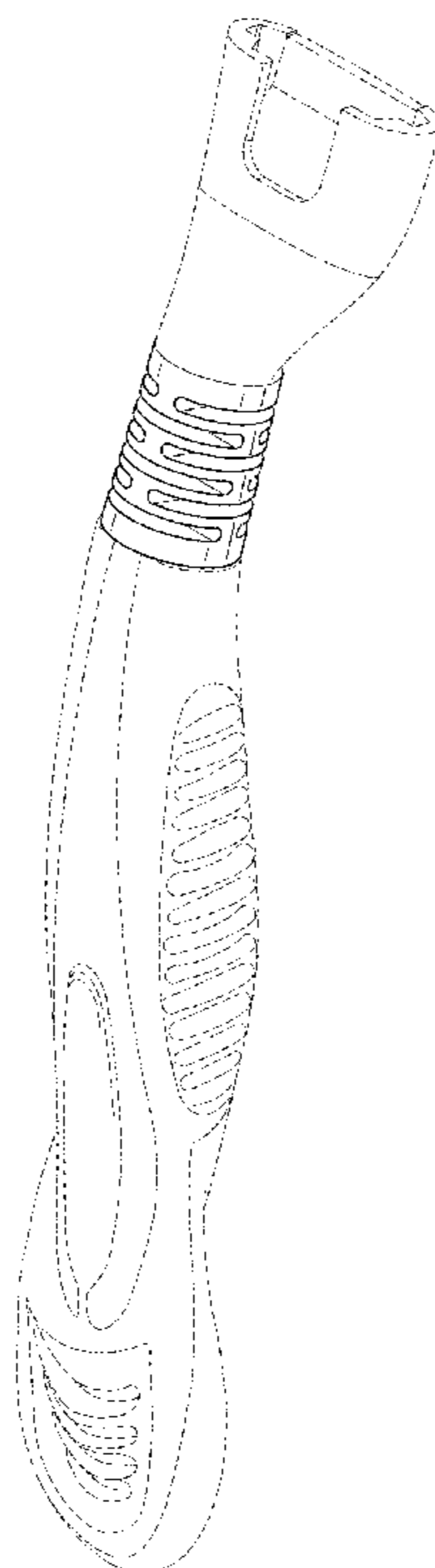
FIG. 5 is a left side view of the razor handle of FIG. 1;

FIG. 6 is a top view of the razor handle of FIG. 1; and,

FIG. 7 is a bottom view of the razor handle of FIG. 1.

The broken lines illustrate portions of the razor handle and form no part of the claimed design.

1 Claim, 4 Drawing Sheets



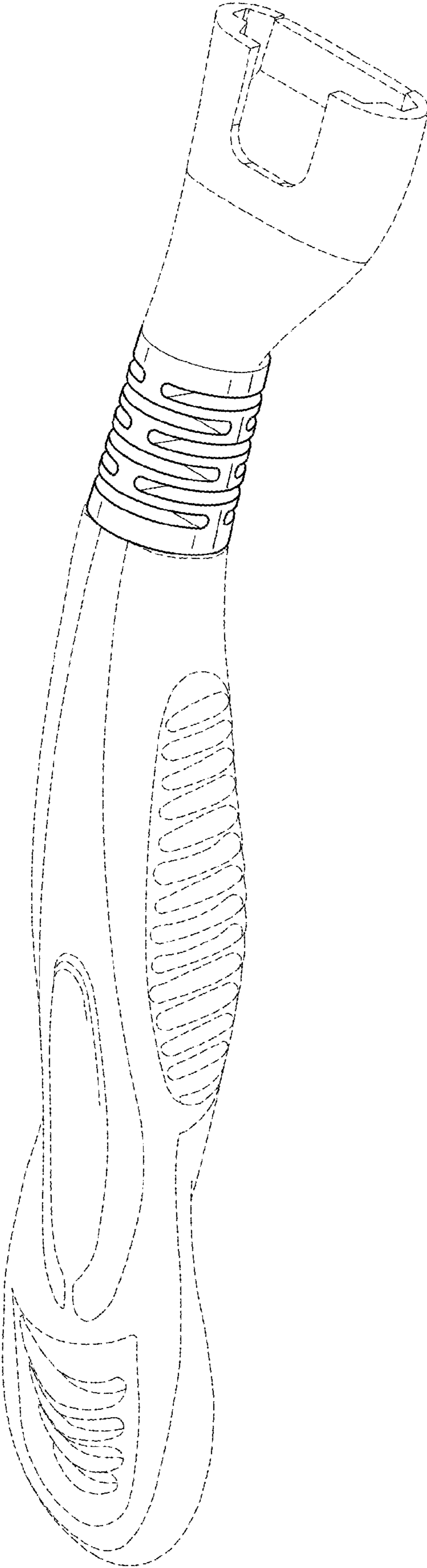


FIG. 1

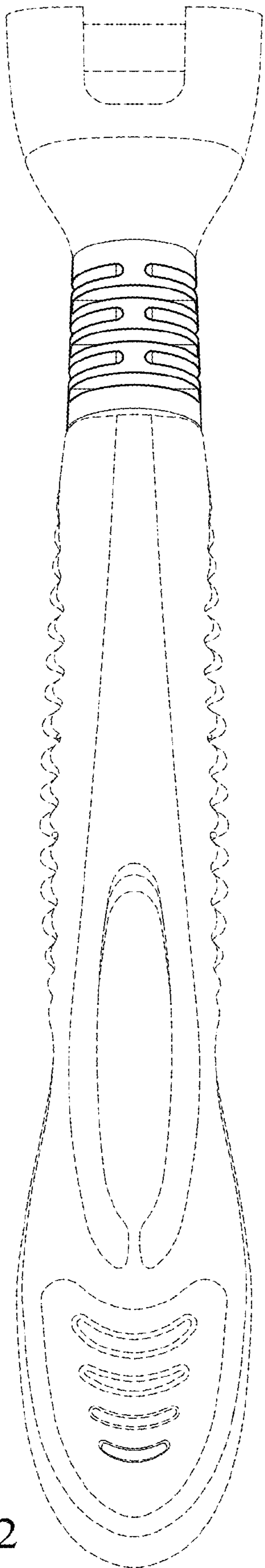


FIG. 2

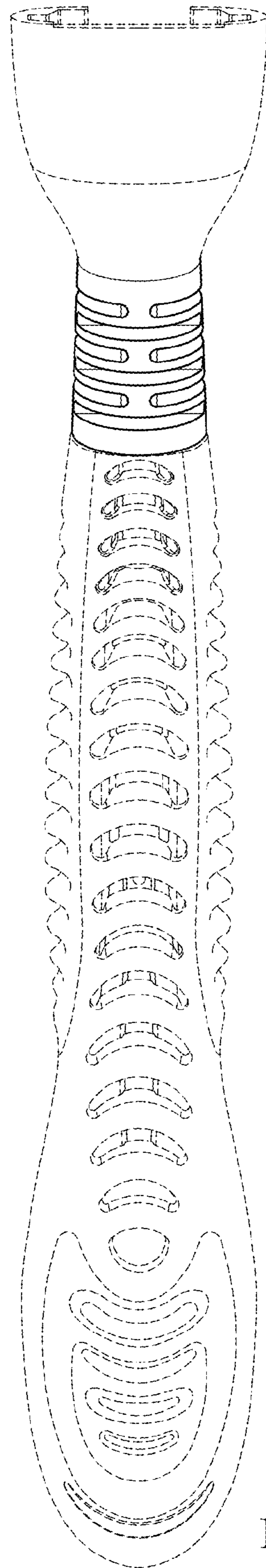


FIG. 3

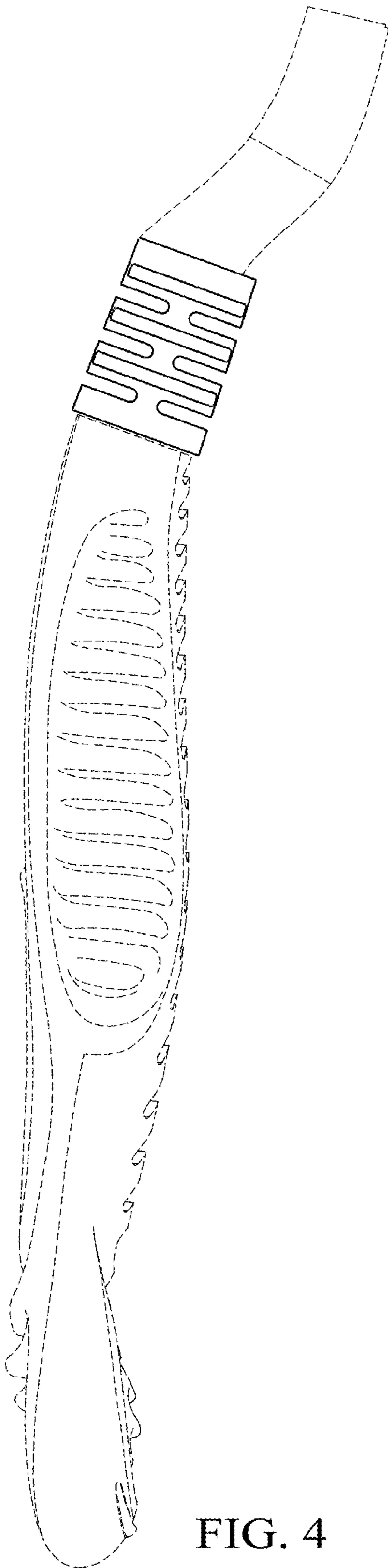


FIG. 4

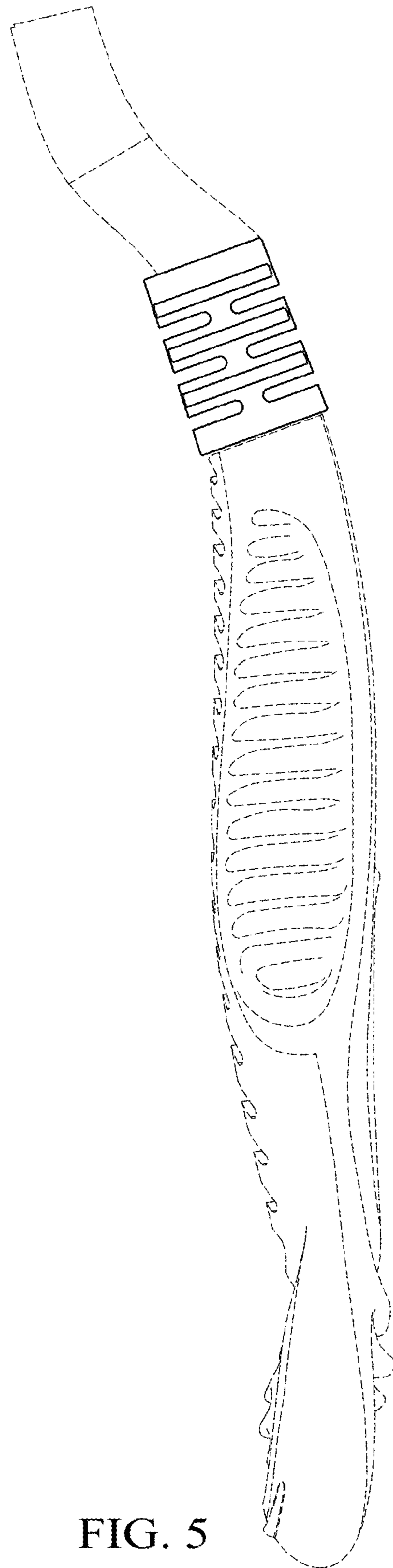


FIG. 5

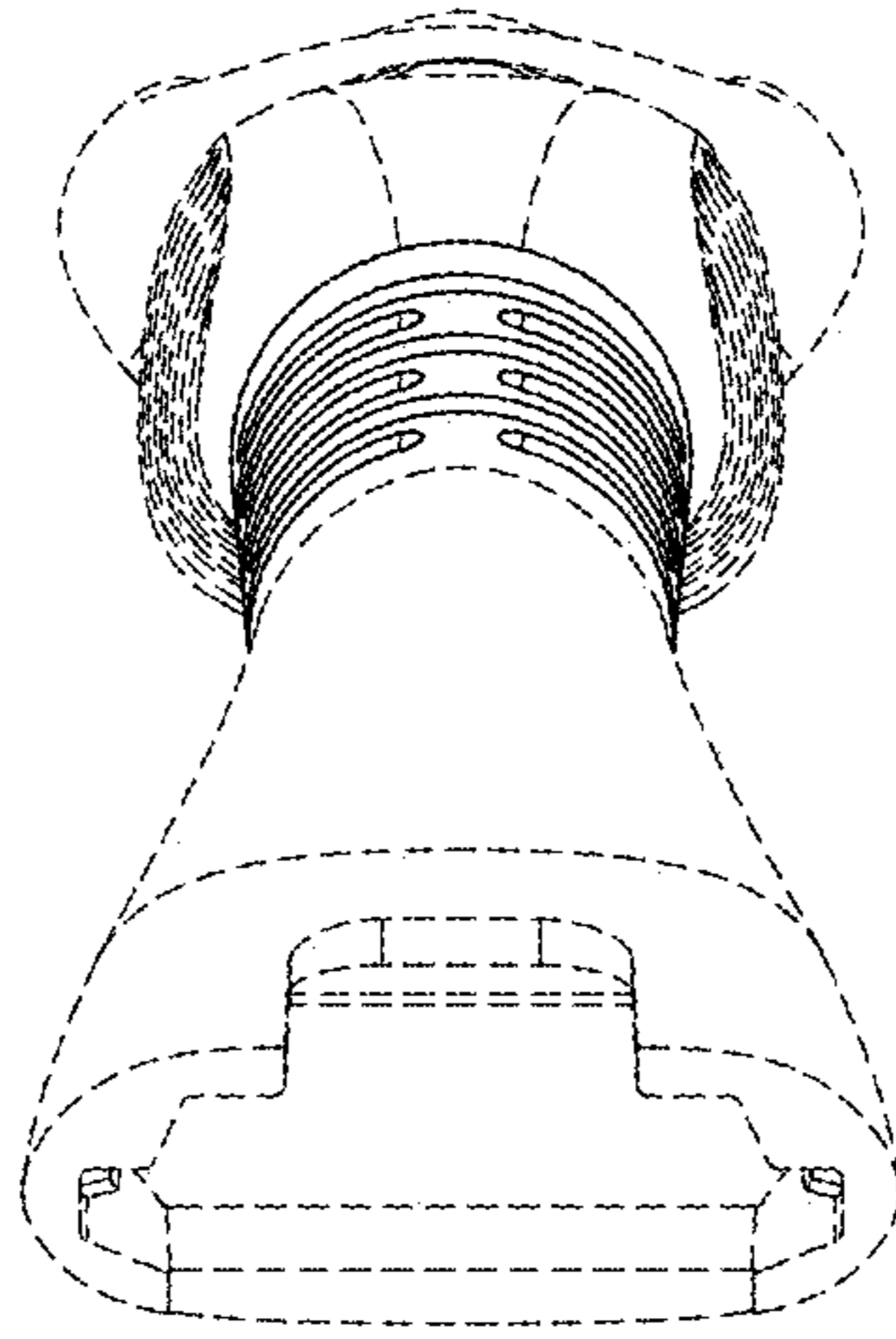


FIG. 6

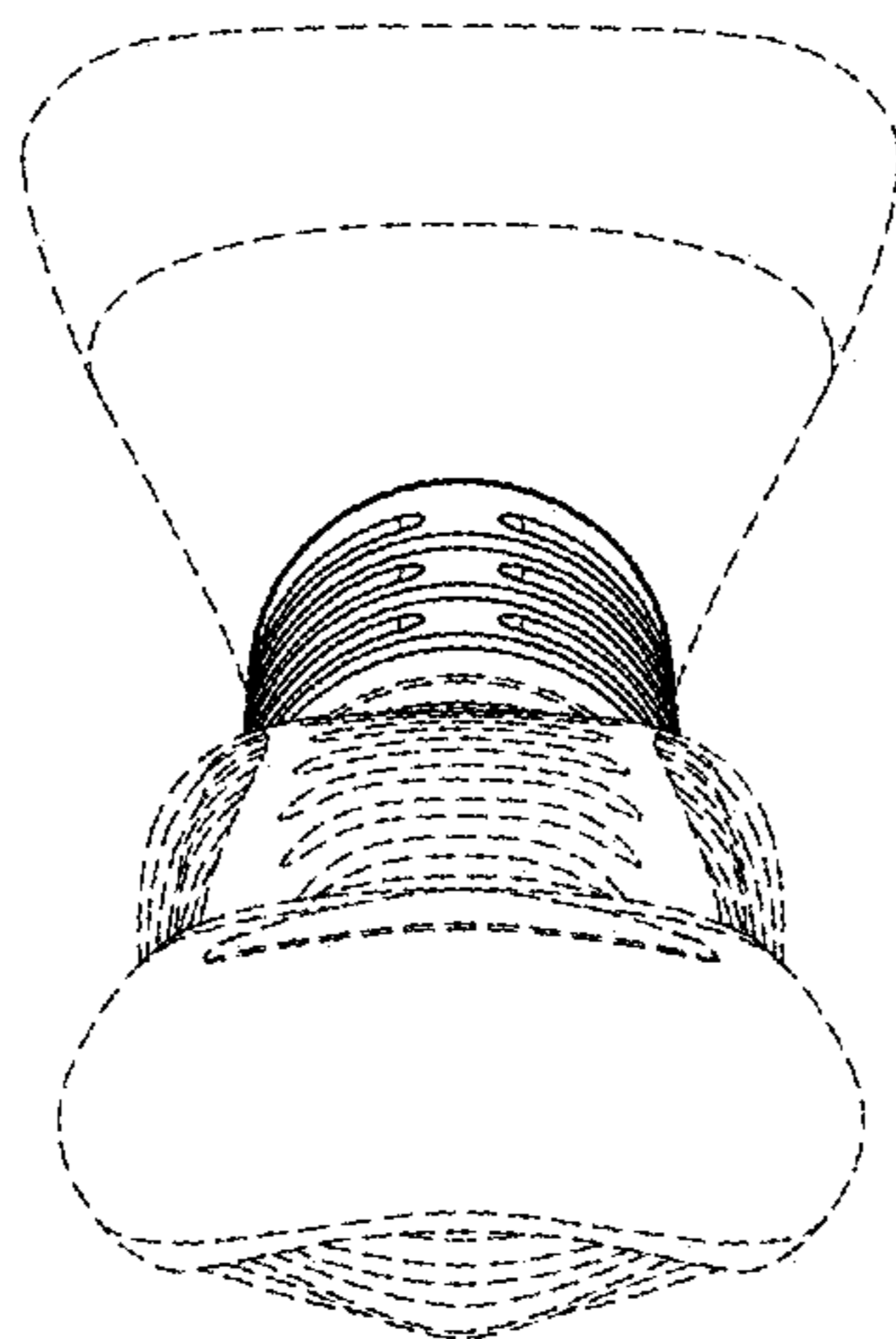


FIG. 7