



US00D905337S

(12) **United States Design Patent** (10) **Patent No.:** **US D905,337 S**
Stowers (45) **Date of Patent:** **** *Dec. 15, 2020**

(54) **HAIR REMOVAL DEVICE**
(71) Applicant: **Church & Dwight Co., Inc.**, Ewing, NJ (US)
(72) Inventor: **David Stowers**, Morristown, NJ (US)
(73) Assignee: **Church & Dwight Co., Inc.**, Ewing, NJ (US)

3,392,446 A 7/1968 Ferrara
3,505,734 A 4/1970 Iten
3,555,682 A 1/1971 Laszlo
3,600,804 A 8/1971 Brown
3,675,325 A 7/1972 Michelson
3,750,285 A 8/1973 Michelson
3,815,227 A 6/1974 Hood
4,094,066 A 6/1978 Daniel, Jr.
D254,692 S 4/1980 Del Re
D276,751 S * 12/1984 Kahn D28/45
4,622,742 A * 11/1986 Lee B26B 21/04
30/539
4,700,477 A 10/1987 Heller
D298,576 S * 11/1988 Iten D28/45
4,845,845 A 7/1989 Scott
4,912,846 A 4/1990 Yu

(*) Notice: This patent is subject to a terminal disclaimer.
(**) Term: **15 Years**

(21) Appl. No.: **29/651,774**
(22) Filed: **Mar. 12, 2019**
(51) **LOC (12) Cl.** **28-03**
(52) **U.S. Cl.**
USPC **D28/45**
(58) **Field of Classification Search**
USPC D28/44-46
CPC B26B 21/00; B26B 21/02; B26B 21/04;
B26B 21/06; B26B 21/10; B26B 21/12;
B26B 21/14-165; B26B 21/4063; B26B
21/525

See application file for complete search history.

(56) **References Cited**

U.S. PATENT DOCUMENTS

917,043 A 4/1909 Gage
1,003,749 A * 9/1911 Jannert B26B 21/02
30/78
1,035,548 A 8/1912 Dickenson
1,579,577 A 4/1926 Thompson
1,823,808 A 9/1931 Thompson
1,852,362 A * 4/1932 Newby A45D 2/42
132/149
2,306,890 A 12/1942 Mayeux
3,263,328 A 8/1966 Craig
3,263,330 A 8/1966 Ferrara

FOREIGN PATENT DOCUMENTS

AU 363308 S 8/2015
CA 163071 S 4/2016

Primary Examiner — Jennifer Rivard
(74) *Attorney, Agent, or Firm* — Womble Bond Dickinson (US) LLP

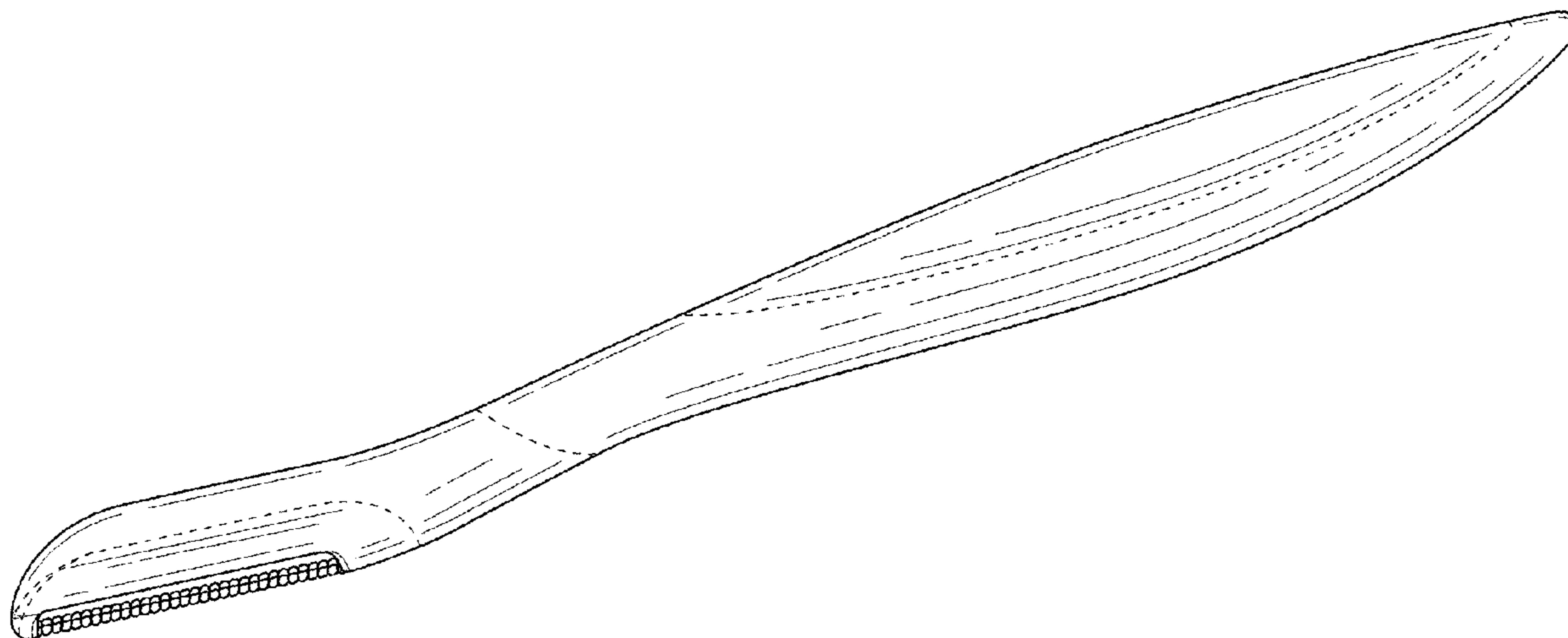
(57) **CLAIM**

The ornamental design for a hair removal device, as shown and described.

DESCRIPTION

FIG. 1 is a front perspective view of a hair removal device of the present invention showing my new design; FIG. 2 is a front side elevation view thereof; FIG. 3 is a back side elevation view thereof; FIG. 4 is a side elevation view thereof; FIG. 5 is another side elevation view thereof; FIG. 6 is a top plan view thereof; and, FIG. 7 is a bottom plan view thereof. The broken lines illustrate contour lines of the hair removal device and form no part of the claimed design.

1 Claim, 4 Drawing Sheets



(56)

References Cited

U.S. PATENT DOCUMENTS

4,914,817 A	4/1990	Galligan et al.			
D311,971 S	11/1990	Faerber			
D318,143 S	7/1991	Wieneke			
D351,485 S	10/1994	Miskin			
D361,637 S	8/1995	Miskin			
5,560,105 A	10/1996	Ichiyanagi			
D400,301 S	10/1998	Wong			
5,908,036 A *	6/1999	Andrews	A45D 24/36		
			132/215		
5,979,056 A	11/1999	Andrews			
D427,376 S	6/2000	Scott			
6,434,828 B1 *	8/2002	Andrews	B26B 21/00		
			30/50		
6,530,151 B2	3/2003	Kameka			
D485,013 S	1/2004	Leventhal et al.			
6,701,619 B2 *	3/2004	Haruyuki	B26B 21/10		
			30/30		
D488,260 S	4/2004	Khubani			
6,722,039 B2 *	4/2004	Kitano	B26B 21/10		
			30/30		
D497,035 S	10/2004	Khubani			
D499,511 S	12/2004	Wakayama			
D509,026 S	8/2005	Leventhal et al.			
D513,092 S	12/2005	Ajootian			
D531,358 S *	10/2006	Lee	D28/45		
D531,754 S *	11/2006	Lee	D28/45		
D532,157 S *	11/2006	Lee	D28/45		
D541,985 S *	5/2007	Pena	D28/45		
D541,987 S	5/2007	Sugawara			
D542,468 S	5/2007	Stiles			
D552,794 S *	10/2007	Klein	D28/45		
D554,291 S	10/2007	Darnell et al.			
D561,941 S	2/2008	Khubani			
D569,552 S	5/2008	Marquez			
D578,708 S *	10/2008	Ringart	D28/45		
7,637,265 B2	12/2009	Funatsu et al.			
D612,420 S	3/2010	Suero, Jr. et al.			
D620,644 S	7/2010	Lau et al.			
D634,067 S	3/2011	Stowers et al.			
D634,068 S	3/2011	Stowers et al.			
D636,531 S	4/2011	Wilson			
D663,483 S	7/2012	Lee			
D674,558 S	1/2013	Ino			
D676,196 S *	2/2013	Gaugler	D28/45		
8,563,904 B2	10/2013	Cho			
D748,859 S	2/2016	Boulanger			
D750,323 S *	2/2016	Exley	D28/45		
D758,663 S	6/2016	Van Maanen			
D763,506 S	8/2016	Barrett			
D776,877 S	1/2017	Zadro			
D781,496 S	3/2017	Butler et al.			
D788,850 S	6/2017	Timm et al.			
D799,752 S	10/2017	Mori			
D822,279 S	7/2018	Newman			
D830,632 S *	10/2018	Hage	D28/46		
D831,274 S	10/2018	Gamble et al.			
D834,253 S	11/2018	Khubani et al.			
D834,254 S	11/2018	Khubani et al.			
D836,839 S	12/2018	Guo			
D836,840 S	12/2018	Khubani et al.			
D838,040 S	1/2019	Mayberry			
D841,242 S	2/2019	Marut			
D841,247 S	2/2019	Stowers			
D841,886 S *	2/2019	Brormann	B26B 21/10		
			D28/45		
D841,887 S	2/2019	Stowers			
D842,541 S *	3/2019	Brormann	D28/45		
10,300,619 B2	5/2019	Khubani et al.			
D857,296 S	8/2019	Khubani et al.			
D857,297 S	8/2019	Khubani et al.			
D868,373 S	11/2019	Kling et al.			
2005/0262696 A1 *	12/2005	Ouchi	B26B 19/063		
			30/50		
2006/0130334 A1 *	6/2006	Park	B26B 21/00		
			30/30		
2006/0156551 A1	7/2006	Khubani et al.			
2013/0247393 A1	9/2013	Poladian			
2015/0073438 A1	3/2015	Levy			
2017/0333071 A9	11/2017	Levy			
2018/0256192 A1	9/2018	Levy			
2019/0320778 A1	10/2019	Moon			

* cited by examiner

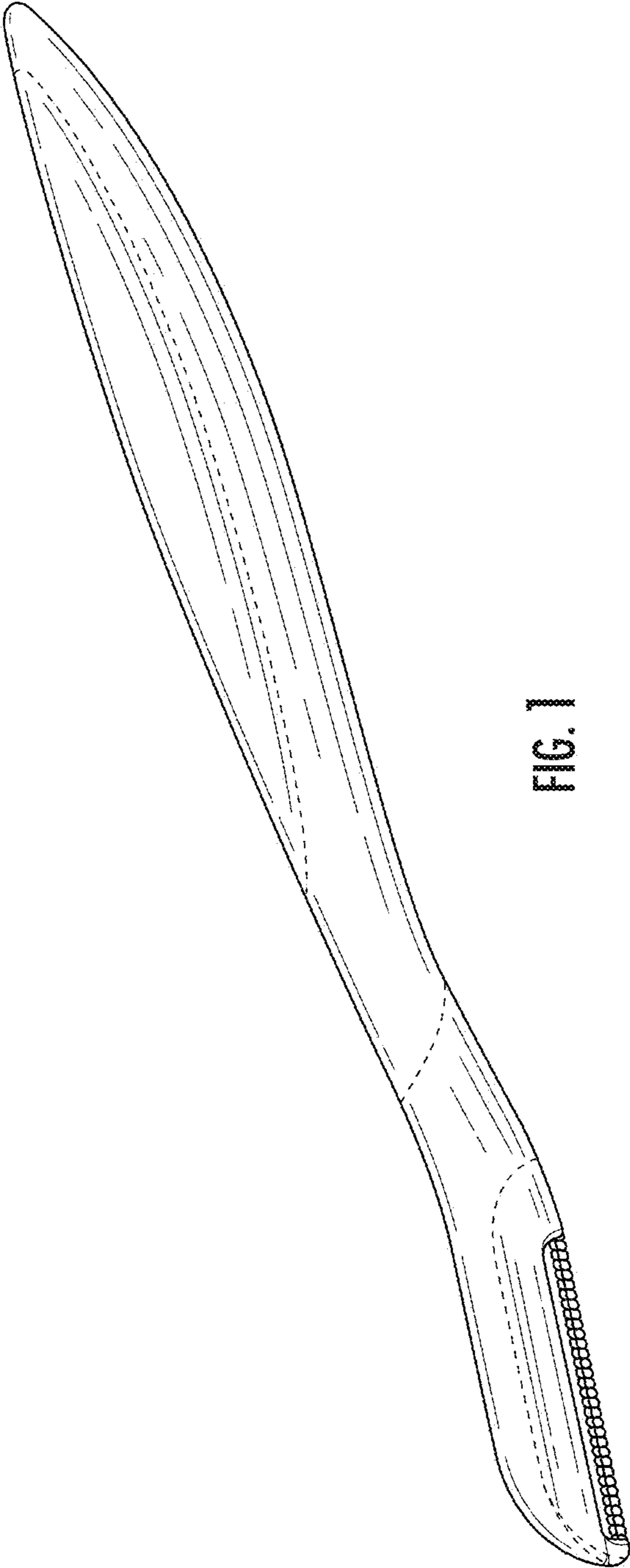


FIG. 1



FIG. 2



FIG. 3

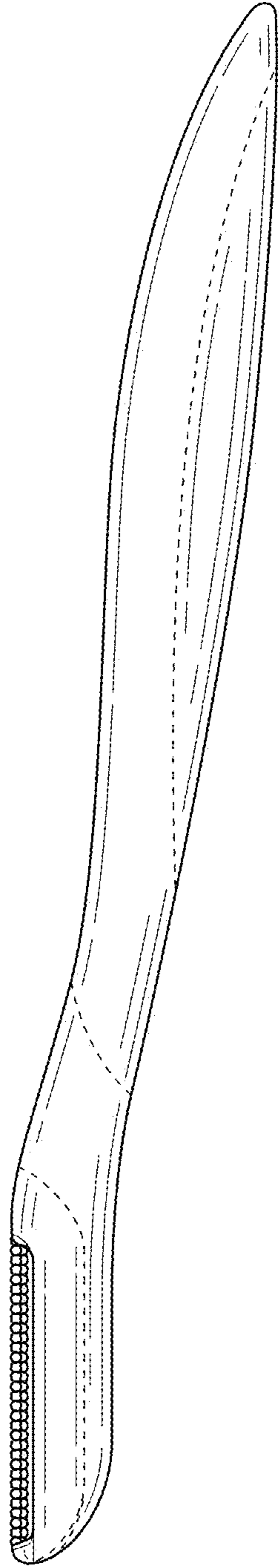


FIG. 4

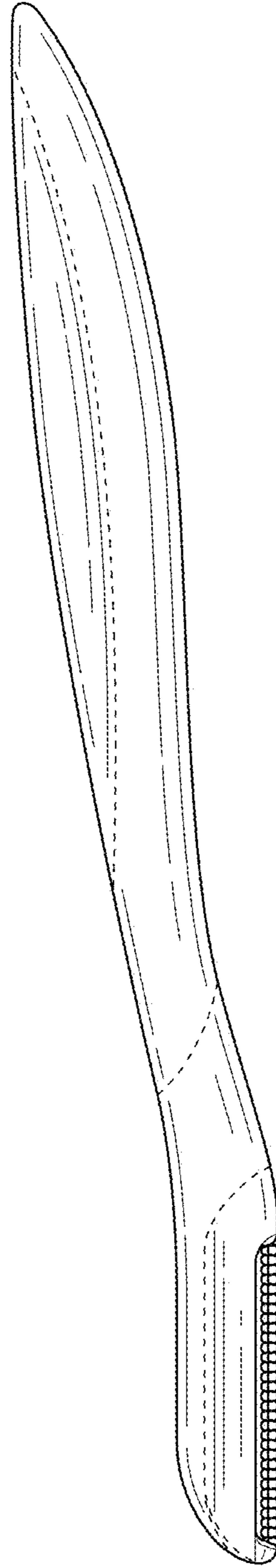


FIG. 5



FIG. 6



FIG. 7