



US00D905336S

(12) **United States Design Patent** (10) **Patent No.:** **US D905,336 S**
Kling et al. (45) **Date of Patent:** **** Dec. 15, 2020**

(54) **EPILATOR**
(71) Applicant: **Braun GmbH**, Kronberg (DE)
(72) Inventors: **Björn Kling**, Glashütten (DE); **Robert Schmidt**, Liederbach am Taunus (DE); **Wolfgang Stegmann**, Frankfurt (DE); **Renke Joris Thye**, Westerstede (DE)

D488,260 S 4/2004 Khubani
D497,035 S 10/2004 Khubani
D514,257 S 1/2006 Bokelman-Dumas
D514,258 S 1/2006 Khubani et al.
D516,245 S 2/2006 Ohta
D518,237 S 3/2006 Yiu
7,152,323 B1 12/2006 Lin
D536,135 S 1/2007 Kitagawa
D561,940 S 2/2008 Ullmann

(Continued)

(73) Assignee: **Braun GMBH**, Kronberg (DE)

Primary Examiner — Jennifer Rivard

(**) Term: **15 Years**

(74) *Attorney, Agent, or Firm* — Kevin C. Johnson

(21) Appl. No.: **29/709,156**

(57) **CLAIM**

(22) Filed: **Oct. 11, 2019**

The ornamental design for an epilator, as shown and described.

Related U.S. Application Data

DESCRIPTION

(62) Division of application No. 29/621,041, filed on Nov. 4, 2017, now Pat. No. Des. 868,373.

The patent or application file contains drawings executed in color. Copies of this patent or patent application publication with color drawings will be provided by the Office upon request and payment of the necessary fee.

(30) **Foreign Application Priority Data**

Apr. 6, 2017 (WO) IB2987401

FIG. 1 is a perspective view of an epilator;

(51) **LOC (12) Cl.** **28-03**

FIG. 2 is a front view thereof;

(52) **U.S. Cl.**

FIG. 3 is a right side view thereof;

USPC **D28/44.1**

FIG. 4 is a rear view thereof;

(58) **Field of Classification Search**

USPC D28/44.1

FIG. 5 is a left side view thereof;

CPC A45D 26/0023; A45D 26/0028; A45D

FIG. 6 is a top plan view thereof;

26/0033; A45D 26/0038; A45D 26/0057

FIG. 7 is a bottom view thereof.

See application file for complete search history.

FIG. 8 is a perspective view of an epilator;

(56) **References Cited**

FIG. 9 is a front view thereof;

U.S. PATENT DOCUMENTS

D305,162 S 12/1989 Mockovak
D400,303 S 10/1998 Tanaka et al.
D436,232 S 1/2001 Denham et al.
D440,313 S 4/2001 Smith
6,272,752 B1 8/2001 Pino
D485,013 S 1/2004 Leventhal et al.

FIG. 10 is a right side view thereof;

FIG. 11 is a rear view thereof;

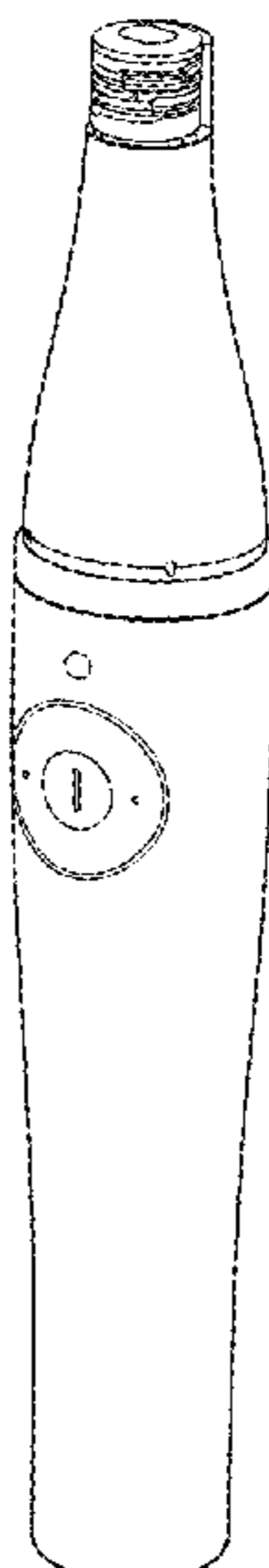
FIG. 12 is a left side view thereof;

FIG. 13 is a top plan view thereof; and,

FIG. 14 is a bottom view thereof.

Color drawings are being submitted because color is an integral part of some embodiments of the claim design.

1 Claim, 6 Drawing Sheets
(4 of 6 Drawing Sheet(s) Filed in Color)



(56)

References Cited

U.S. PATENT DOCUMENTS

D561,941	S	2/2008	Khubani	
D569,552	S	5/2008	Marquez	
D674,144	S	1/2013	Yamamoto et al.	
D674,145	S	1/2013	Ino	
D674,558	S	1/2013	Ino	
D710,054	S *	7/2014	Grabes	D28/44.1
D735,946	S	8/2015	Ko	
D751,254	S	3/2016	Golding	
D767,209	S	9/2016	Medioni	
D770,096	S	10/2016	Medioni	
D776,877	S	1/2017	Zadro	
9,743,738	B2 *	8/2017	Sanchez-Martinez	A45D 26/0028
D799,752	S	10/2017	Mori	
D800,387	S	10/2017	Ino	
D800,566	S	10/2017	Wieland	
D801,584	S	10/2017	Hasegawa	
D836,840	S	12/2018	Khubani et al.	
D868,373	S *	11/2019	Kling	D28/44.1
2005/0144783	A1	7/2005	Yiu	
2015/0209108	A1 *	7/2015	Kim	A61B 18/203 606/9
2018/0333875	A1	11/2018	Lau	

* cited by examiner

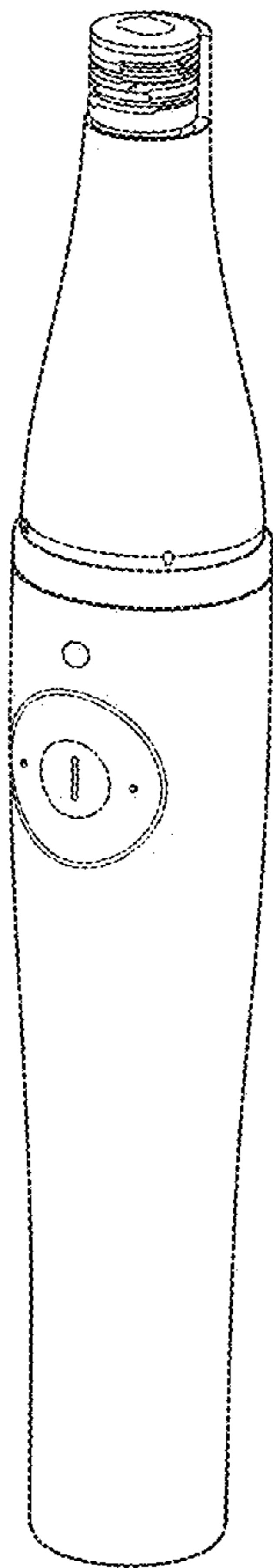


Figure 1

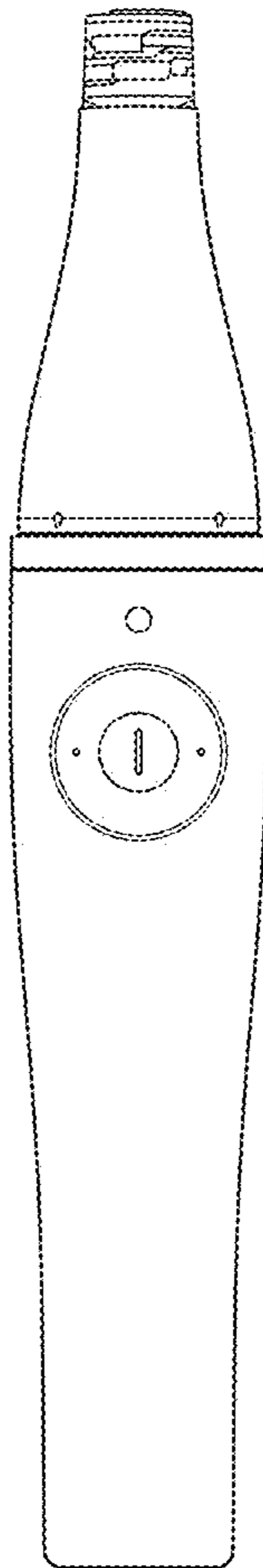


Figure 2

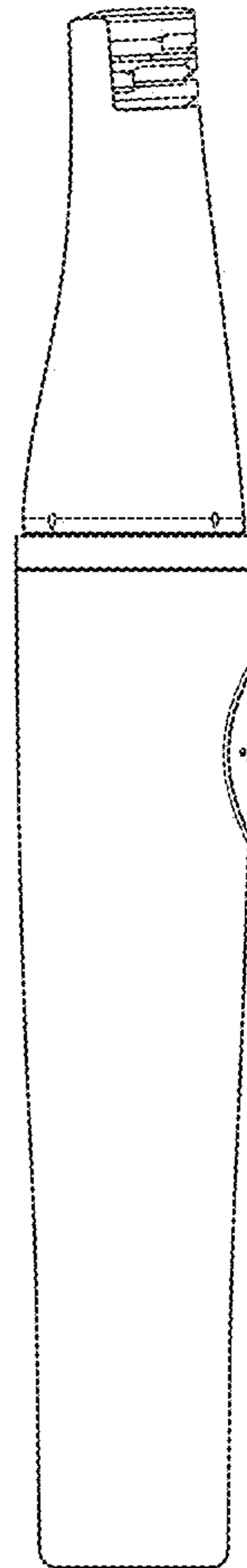


Figure 3

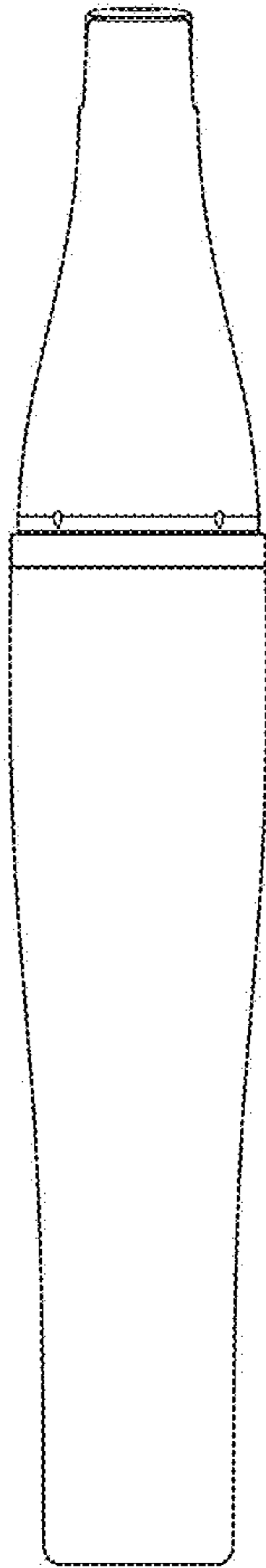


Figure 4

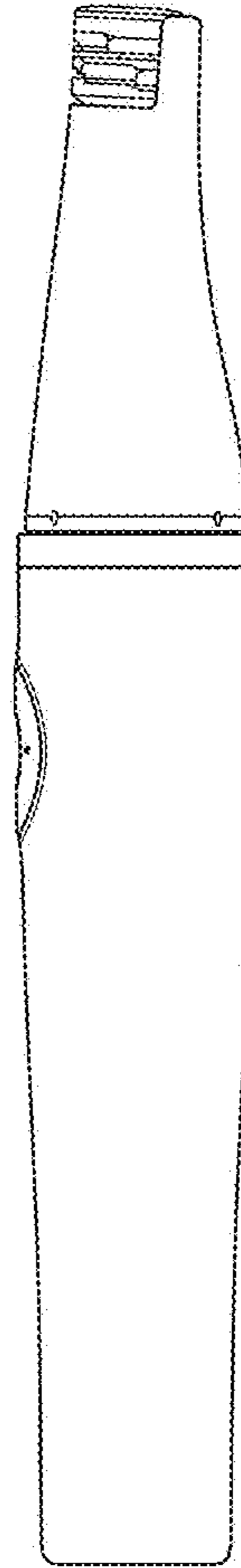


Figure 5

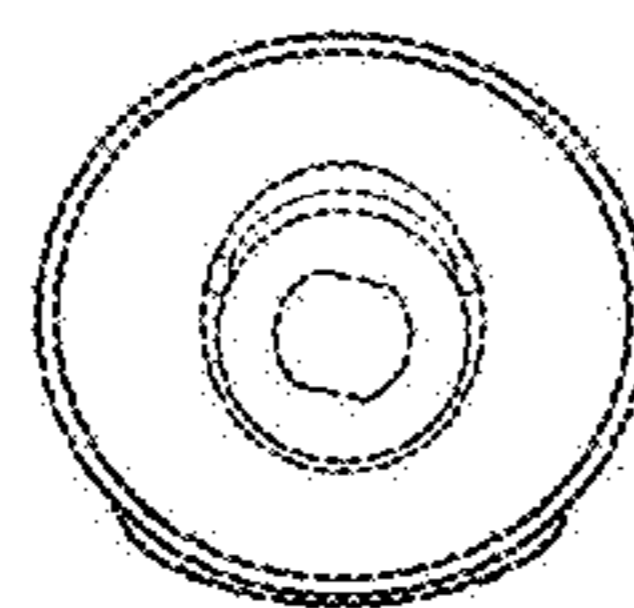


Figure 6

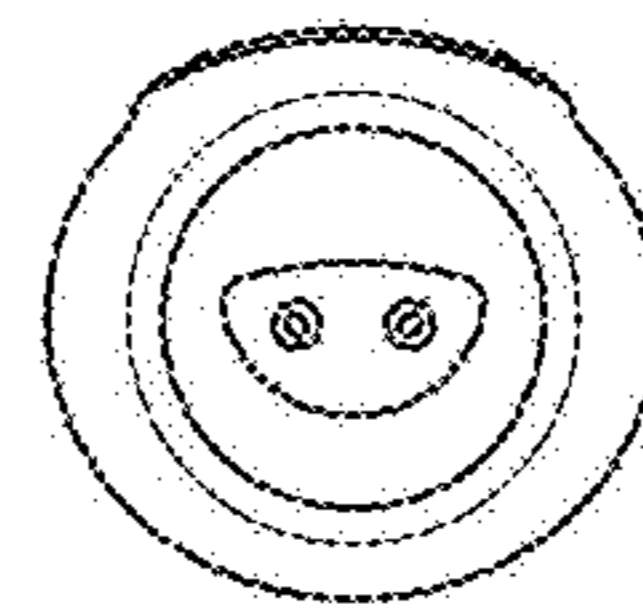


Figure 7

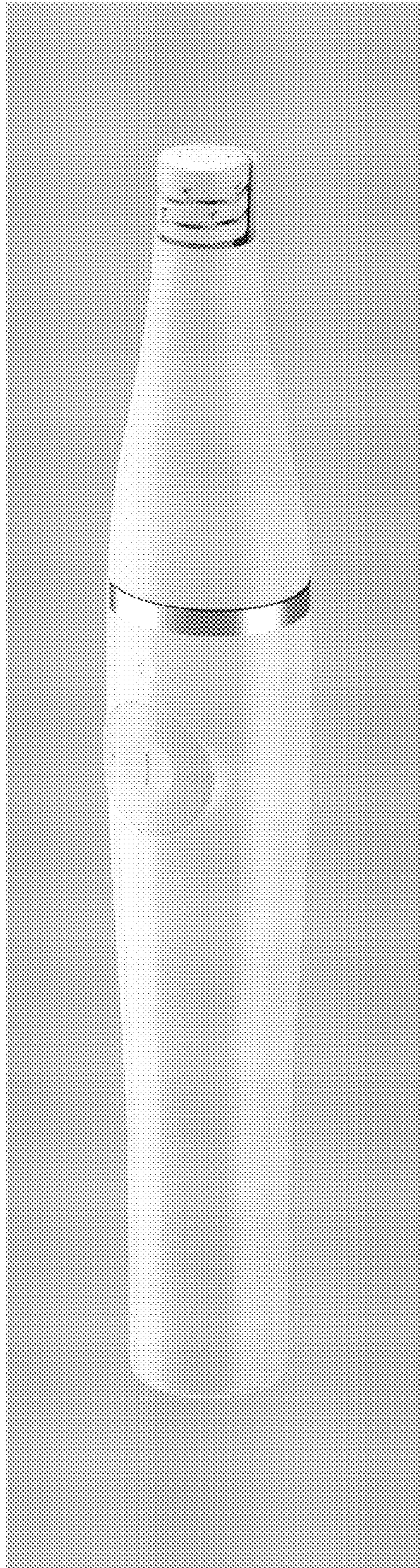


Figure 8

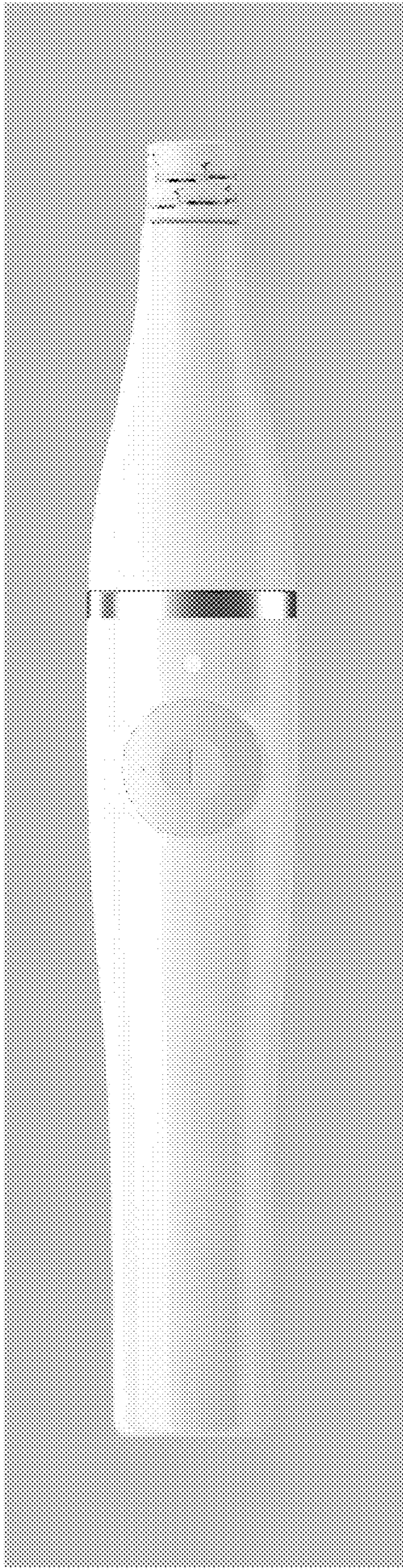


Figure 9

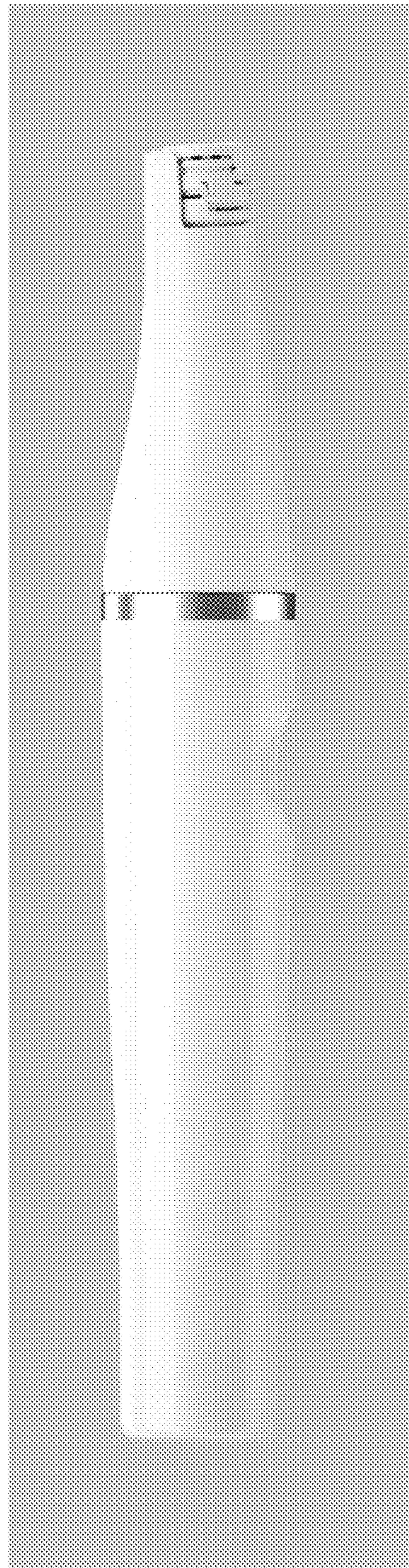


Figure 10

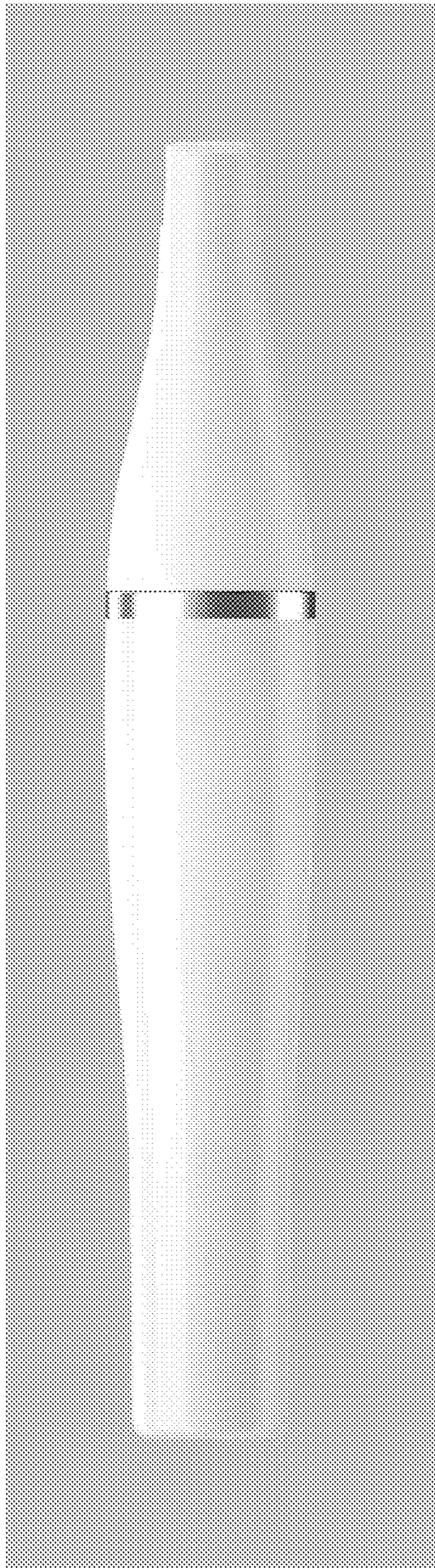


Figure 11

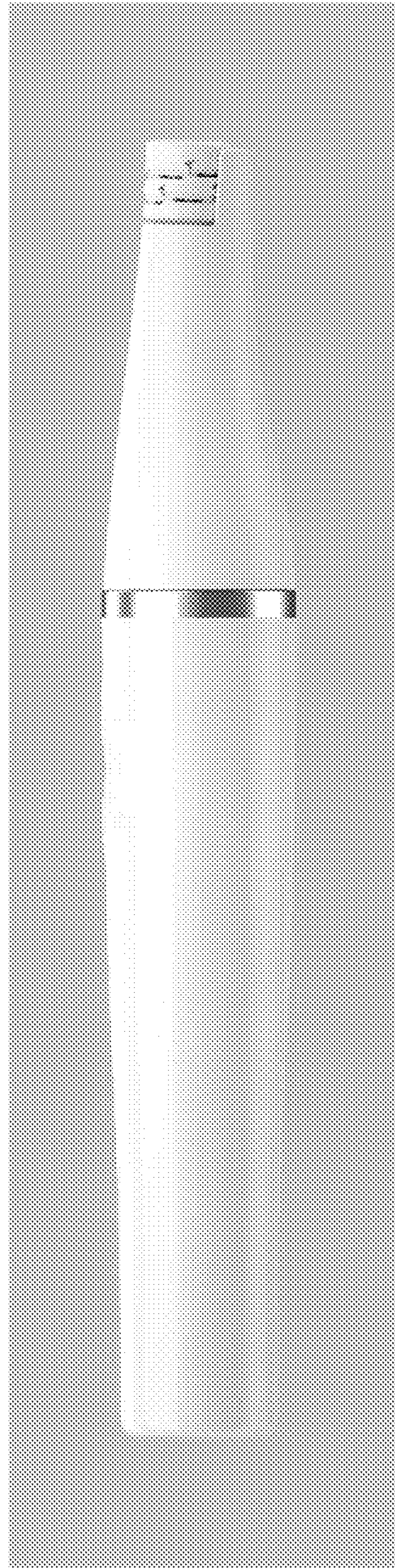


Figure 12

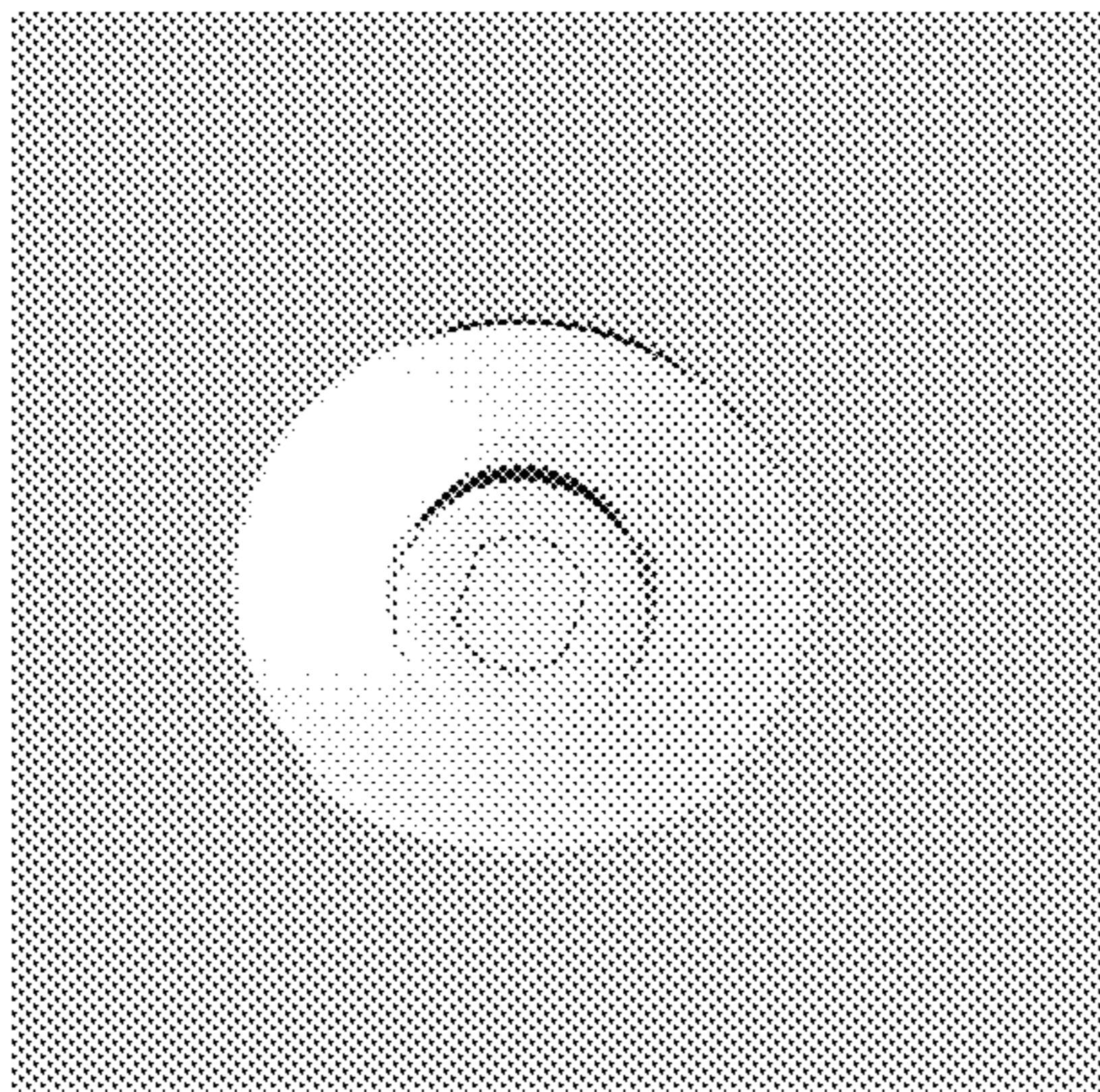


Figure 13

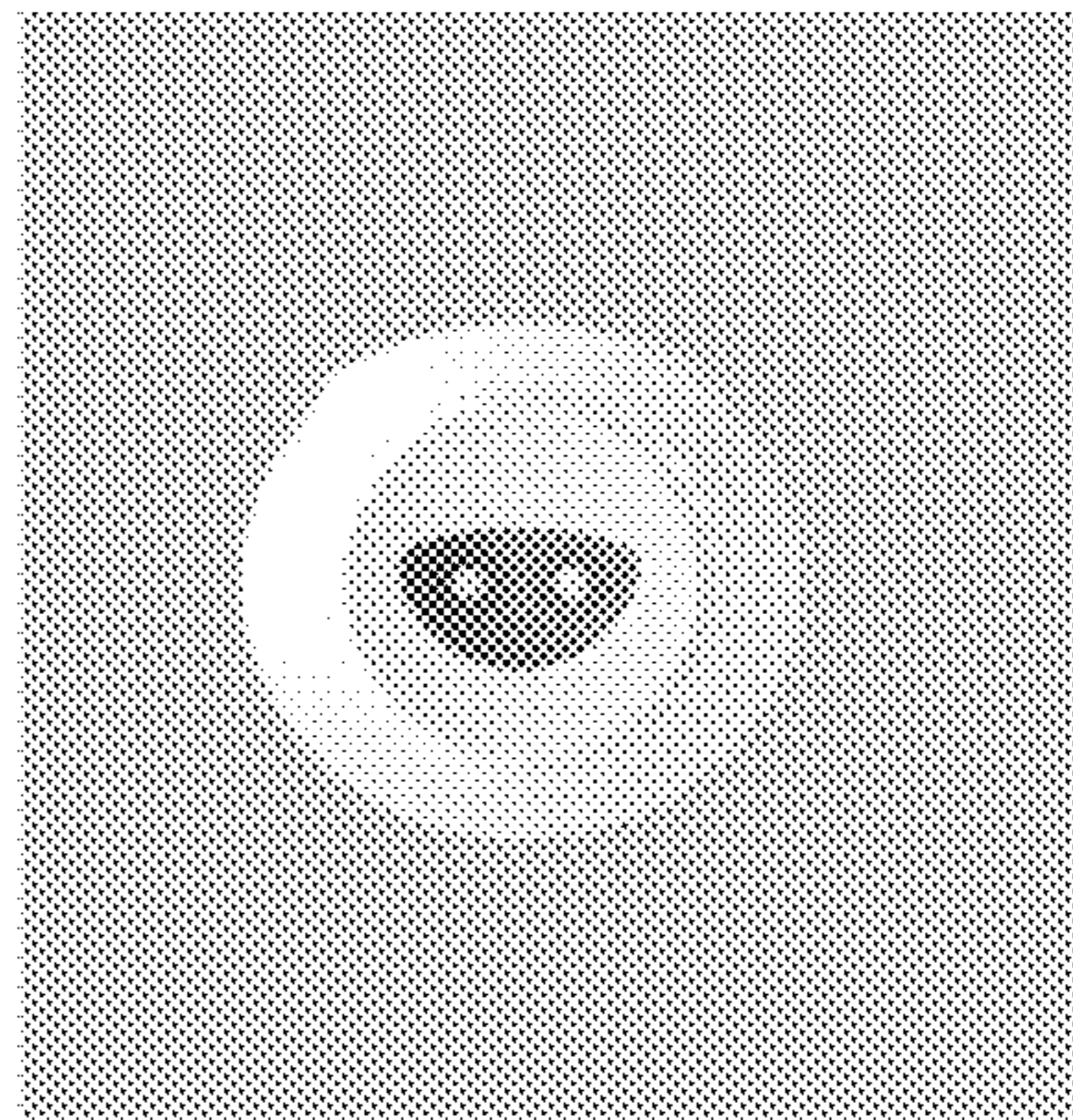


Figure 14