



US00D905335S

(12) **United States Design Patent** (10) **Patent No.:** **US D905,335 S**
Kling (45) **Date of Patent:** **** Dec. 15, 2020**

(54) **HAIR REMOVING APPLIANCE**
(71) Applicant: **Braun GmbH**, Kronberg (DE)
(72) Inventor: **Björn Kling**, Glashütten (DE)
(73) Assignee: **Braun GMBH**, Kronberg (DE)
(**) Term: **15 Years**

(21) Appl. No.: **29/682,385**
(22) Filed: **Mar. 5, 2019**

(30) **Foreign Application Priority Data**
Sep. 7, 2018 (WO) 8827401
(51) **LOC (12) Cl.** **28-03**
(52) **U.S. Cl.**
USPC **D28/44.1; D24/209**
(58) **Field of Classification Search**
USPC D28/44-44.1; D24/209, 214

(Continued)
(56) **References Cited**
U.S. PATENT DOCUMENTS
D656,620 S 3/2012 Altshuler et al.
D660,448 S 5/2012 Lum et al.
(Continued)

Primary Examiner — Jennifer Rivard
(74) *Attorney, Agent, or Firm* — Kevin C. Johnson

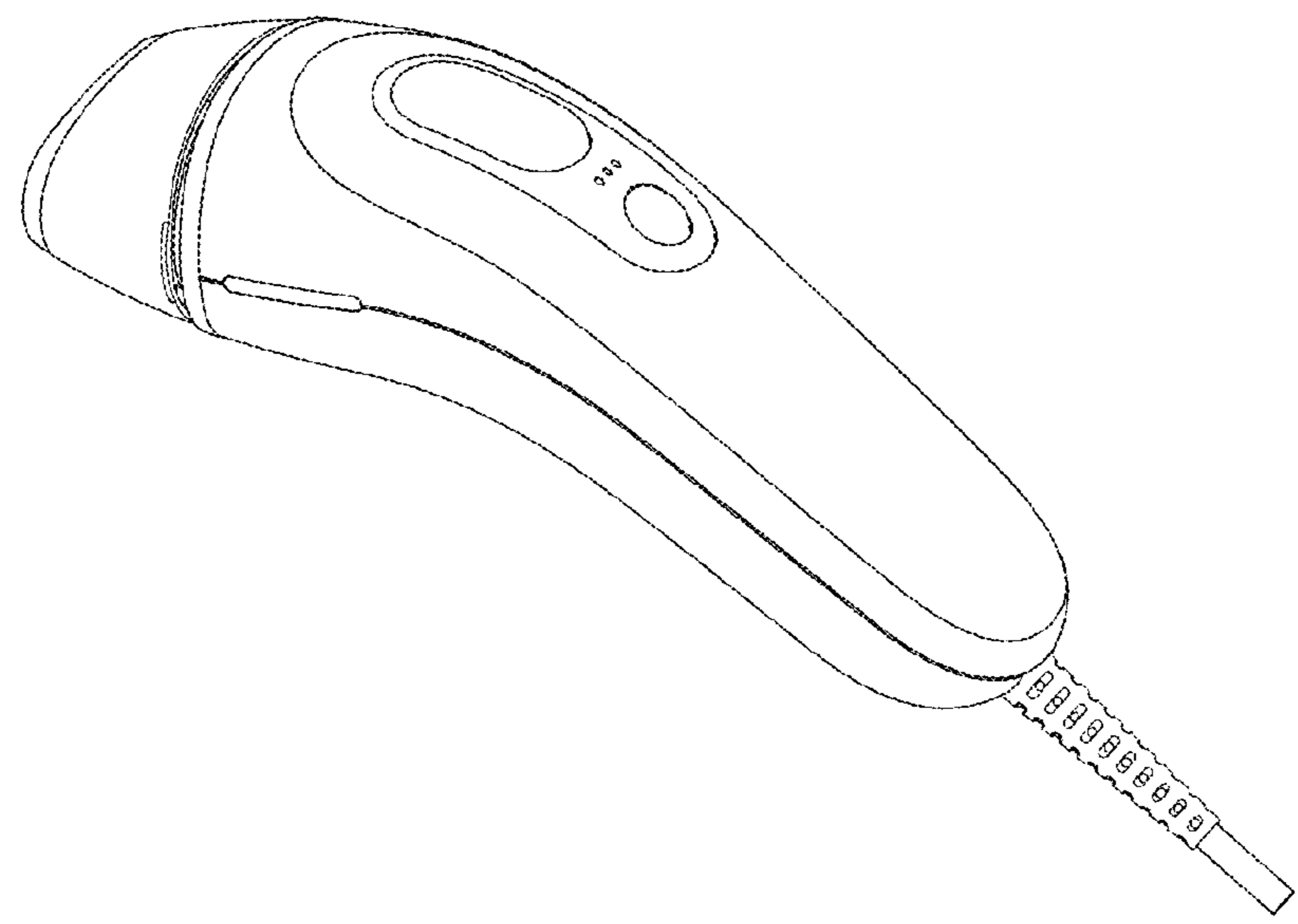
(57) **CLAIM**
The ornamental design for a hair removing appliance, as shown and described above.

DESCRIPTION

The patent or application file contains at least one drawing executed in color. Copies of this patent or patent application

publication with color drawing(s) will be provided by the Office upon request and payment of the necessary fee.
FIG. 1 is a perspective view of the first embodiment of the hair removing appliance;
FIG. 2 is a front view thereof;
FIG. 3 is a right side view thereof;
FIG. 4 is a rear view thereof;
FIG. 5 is a left side view thereof;
FIG. 6 is a top plan view thereof;
FIG. 7 is a bottom view thereof;
FIG. 8 is a perspective view thereof;
FIG. 9 is a perspective view of the second embodiment of the hair removing appliance;
FIG. 10 is a front view thereof;
FIG. 11 is a right side view thereof;
FIG. 12 is a rear view thereof;
FIG. 13 is a left side view thereof;
FIG. 14 is a top plan view thereof;
FIG. 15 is a bottom view thereof;
FIG. 16 is a perspective view thereof;
FIG. 17 is a perspective view of the third embodiment of the hair removing appliance;
FIG. 18 is a front view thereof;
FIG. 19 is a right side view thereof;
FIG. 20 is a rear view thereof;
FIG. 21 is a left side view thereof;
FIG. 22 is a top plan view thereof;
FIG. 23 is a bottom view thereof;
FIG. 24 is a perspective view thereof;
FIG. 25 is a perspective view of the fourth embodiment of the hair removing appliance;
FIG. 26 is a front view thereof;
FIG. 27 is a right side view thereof;
FIG. 28 is a rear view thereof;
FIG. 29 is a left side view thereof;
FIG. 30 is a top plan view thereof;
FIG. 31 is a bottom view thereof; and,
FIG. 32 is a perspective view thereof.

1 Claim, 32 Drawing Sheets
(16 of 32 Drawing Sheet(s) Filed in Color)



(58) **Field of Classification Search**

CPC A61B 2018/0047; A61B 2018/0452; A61B
2018/202; A61B 2018/00476; A45D
26/0004-0009

See application file for complete search history.

(56) **References Cited**

U.S. PATENT DOCUMENTS

D660,974	S	5/2012	Jones et al.	
D685,523	S *	7/2013	Buogo	D28/44.1
D703,378	S *	4/2014	Grabes	D28/54
D705,992	S *	5/2014	Levi	D24/133
D776,874	S *	1/2017	Kling	D28/44.1
D787,083	S	5/2017	Ely et al.	
D802,841	S *	11/2017	Kling	D28/44.1
D820,464	S *	6/2018	Gabriele	D24/209
D860,534	S *	9/2019	Huang	D28/44.1
D872,362	S *	1/2020	Long	D28/44.1
2011/0270365	A1 *	11/2011	Hamada	A61N 5/0617 607/90
2015/0209108	A1 *	7/2015	Kim	A61B 18/203 606/9

* cited by examiner

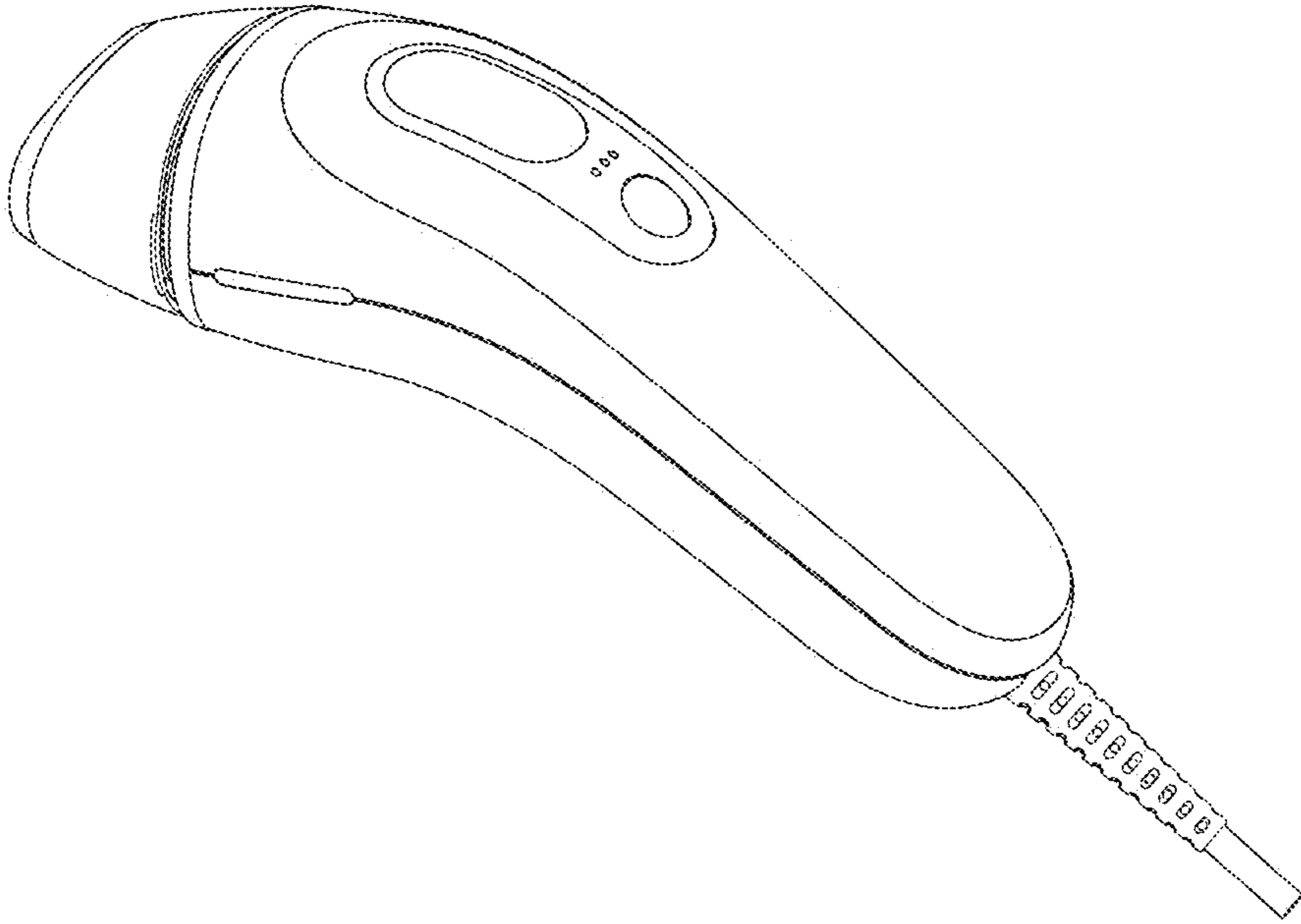


Figure 1

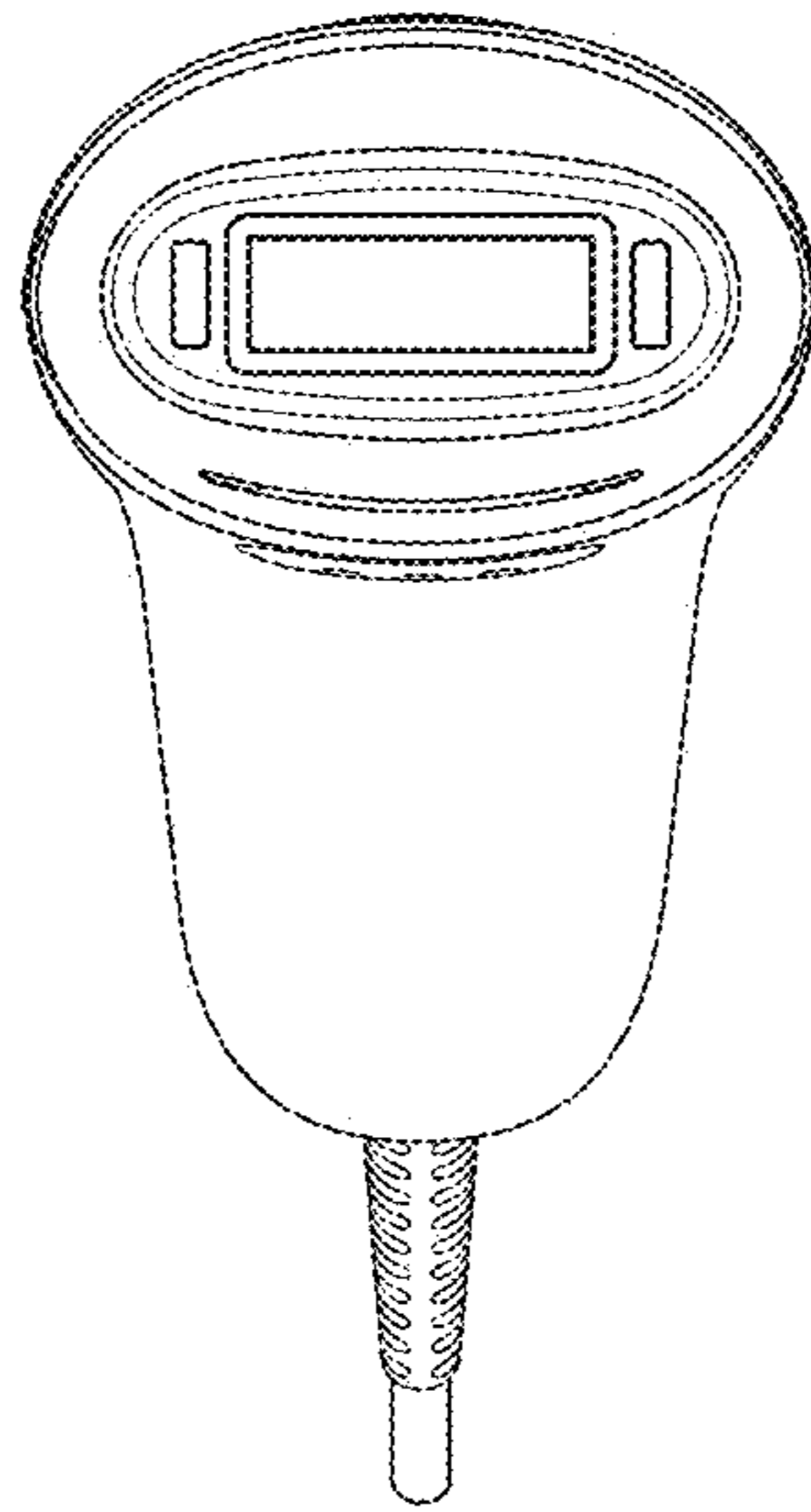


Figure 2

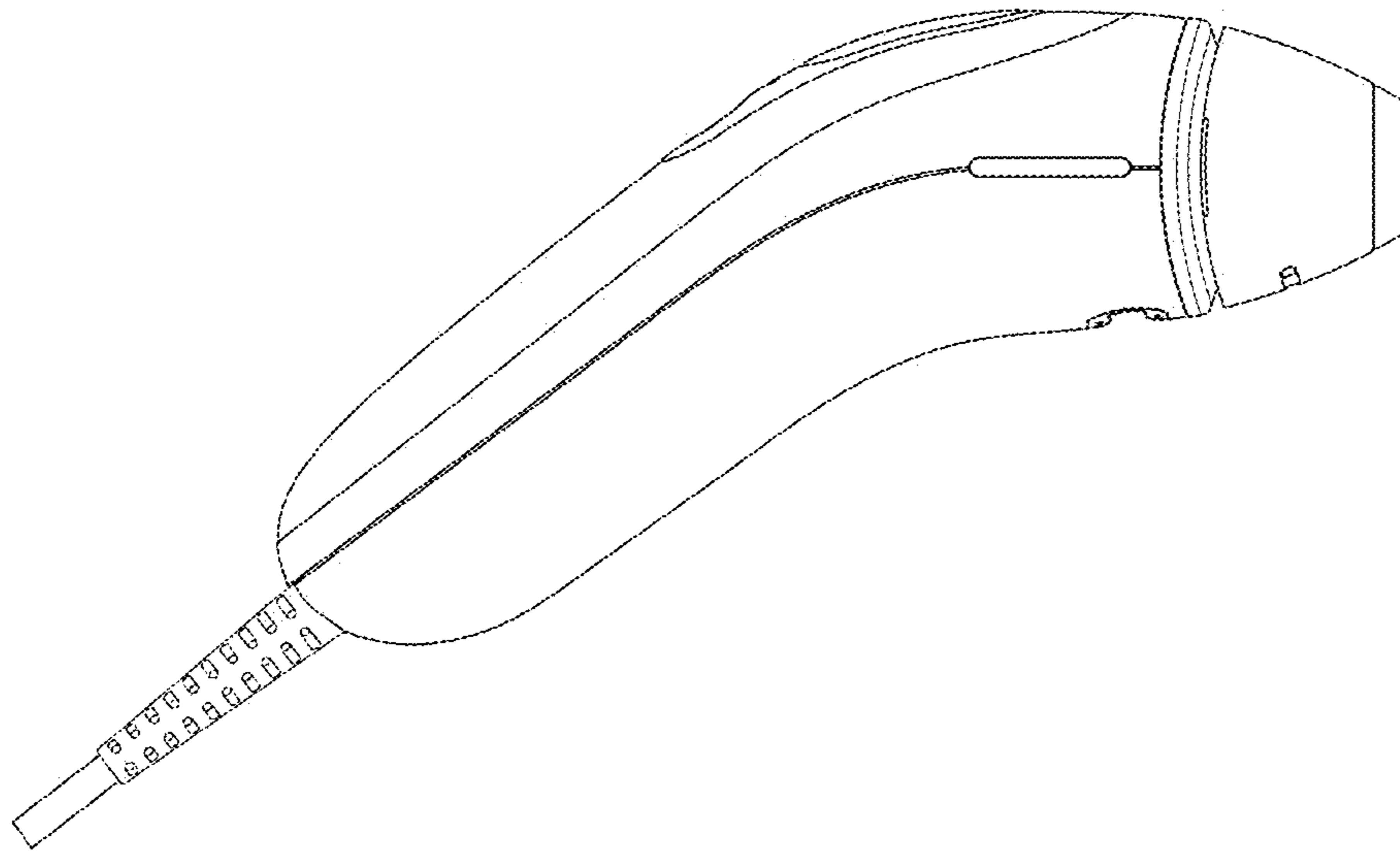


Figure 3

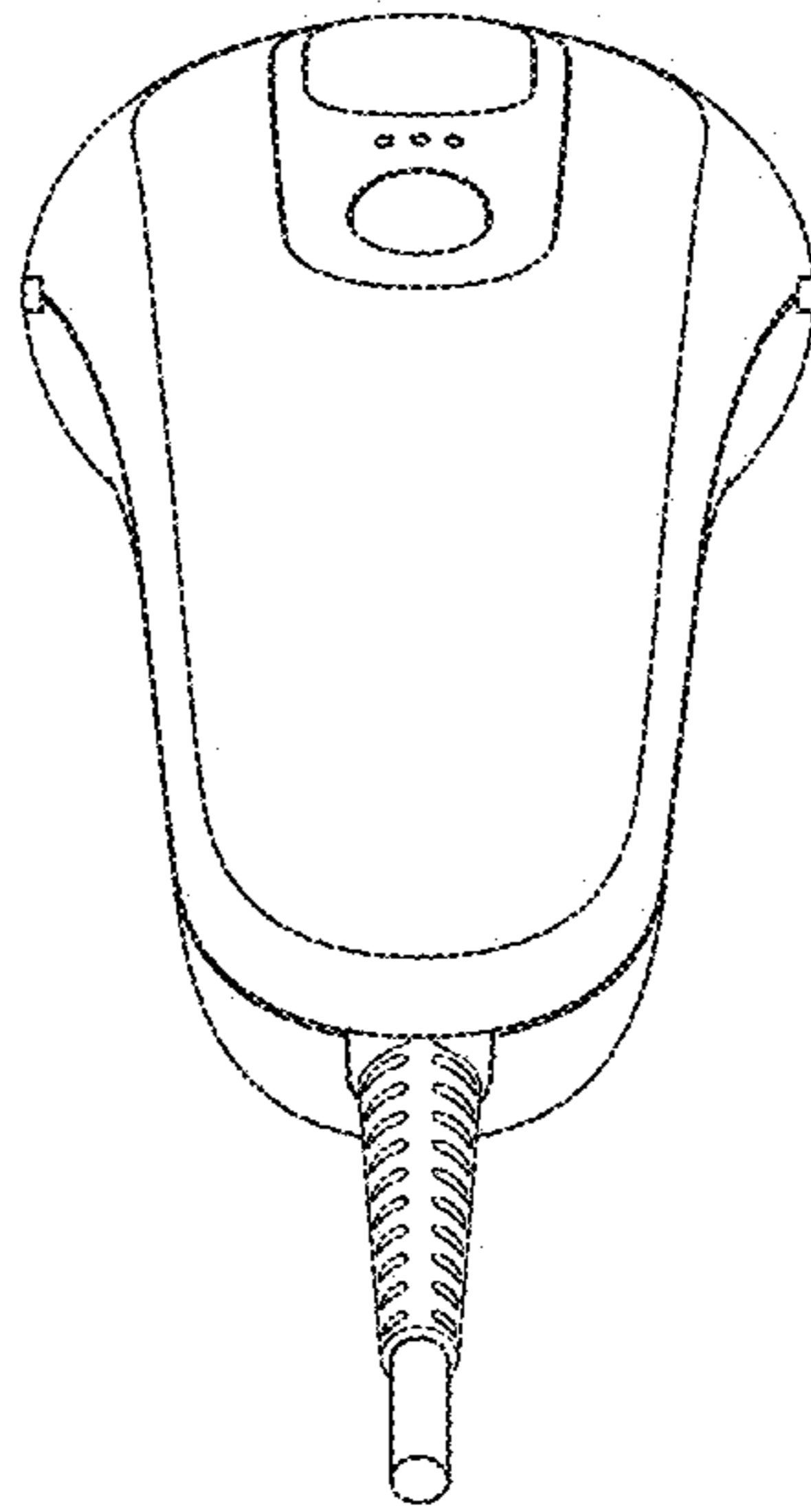


Figure 4

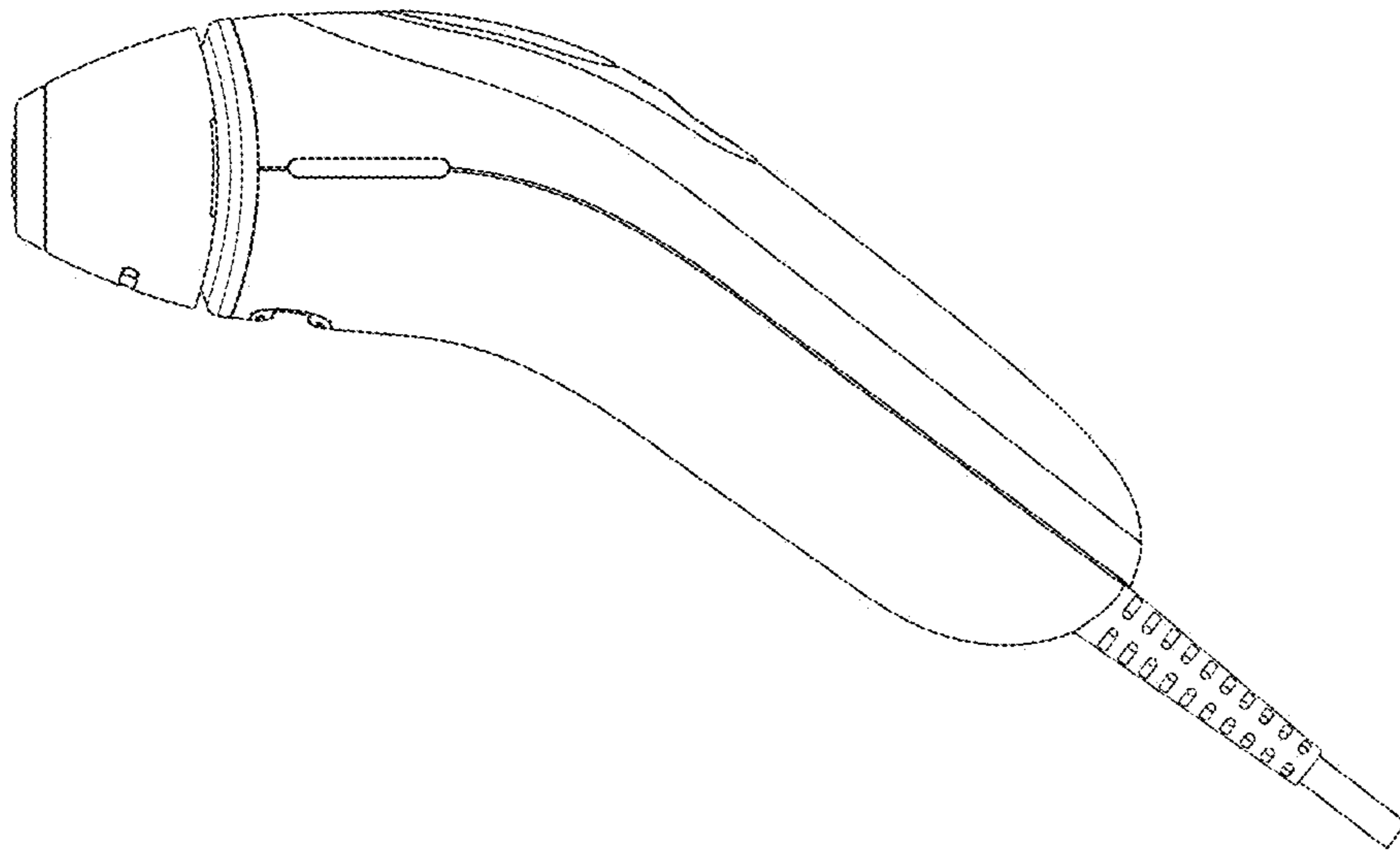


Figure 5

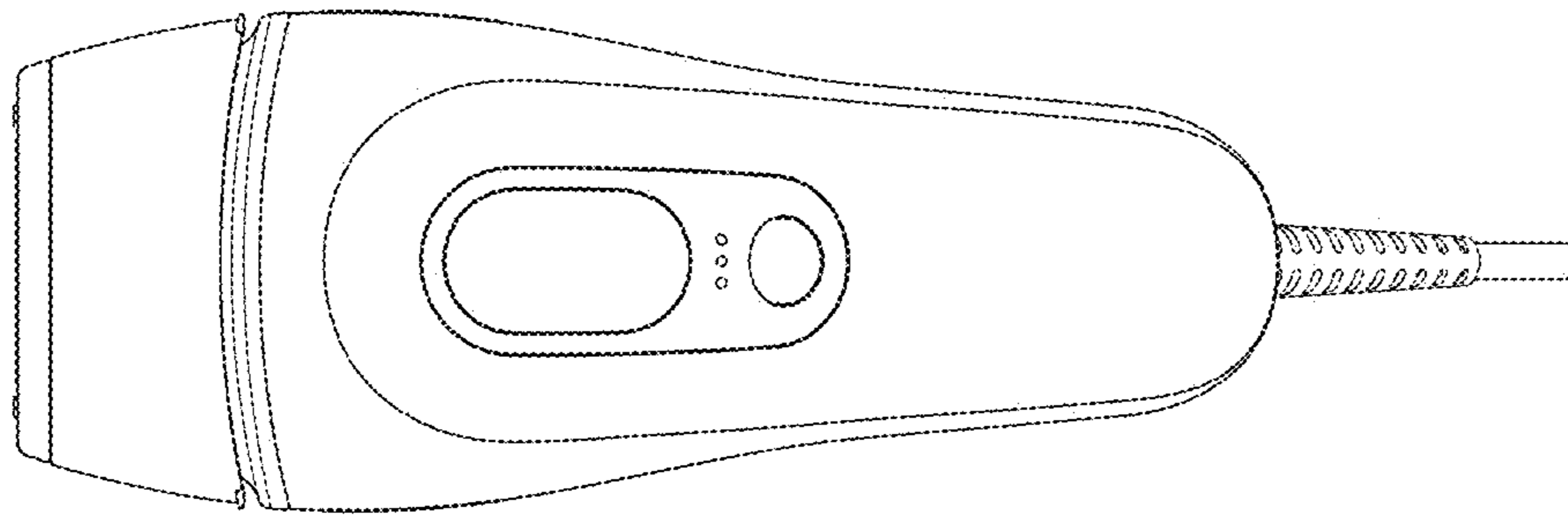


Figure 6

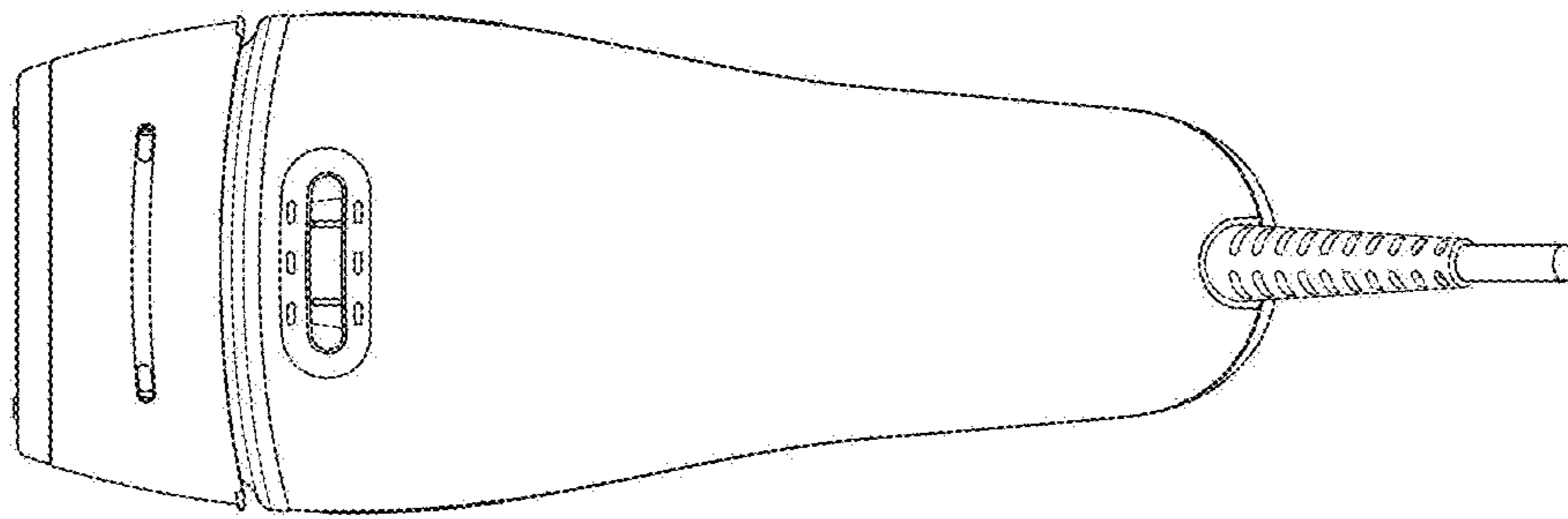


Figure 7

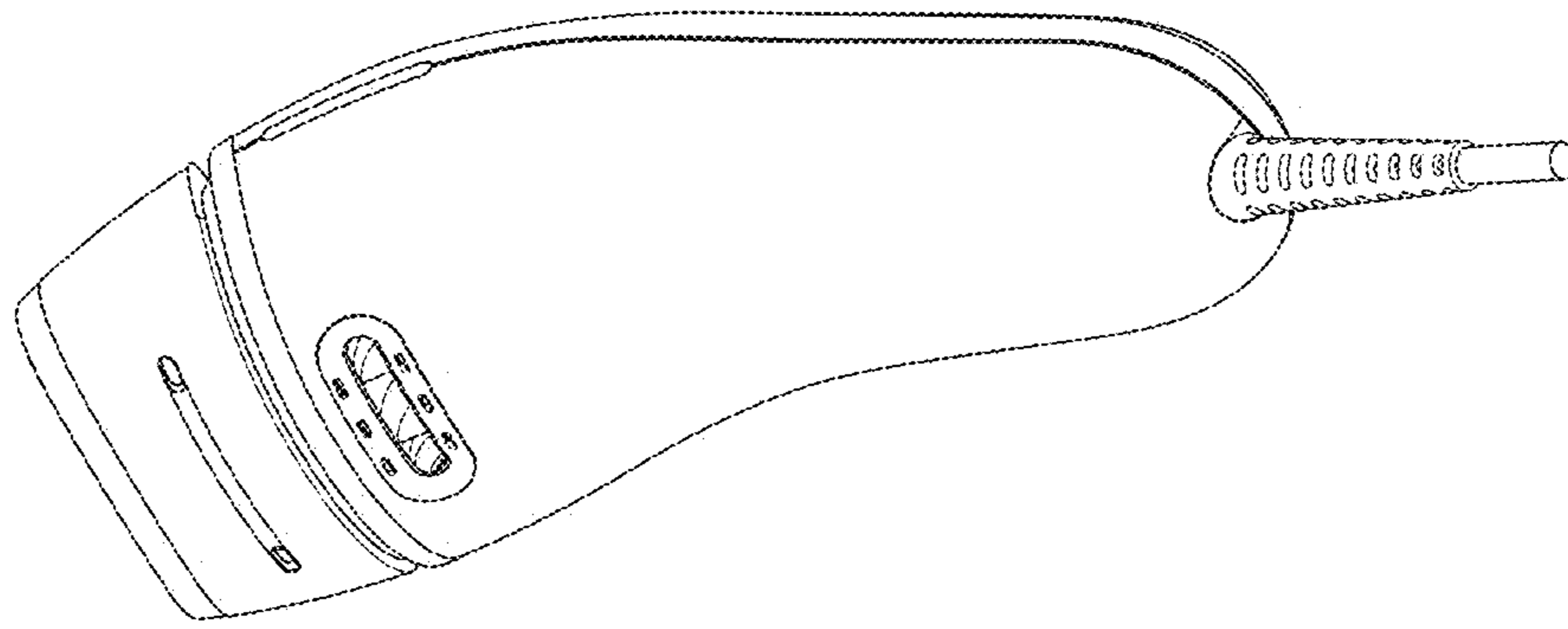


Figure 8

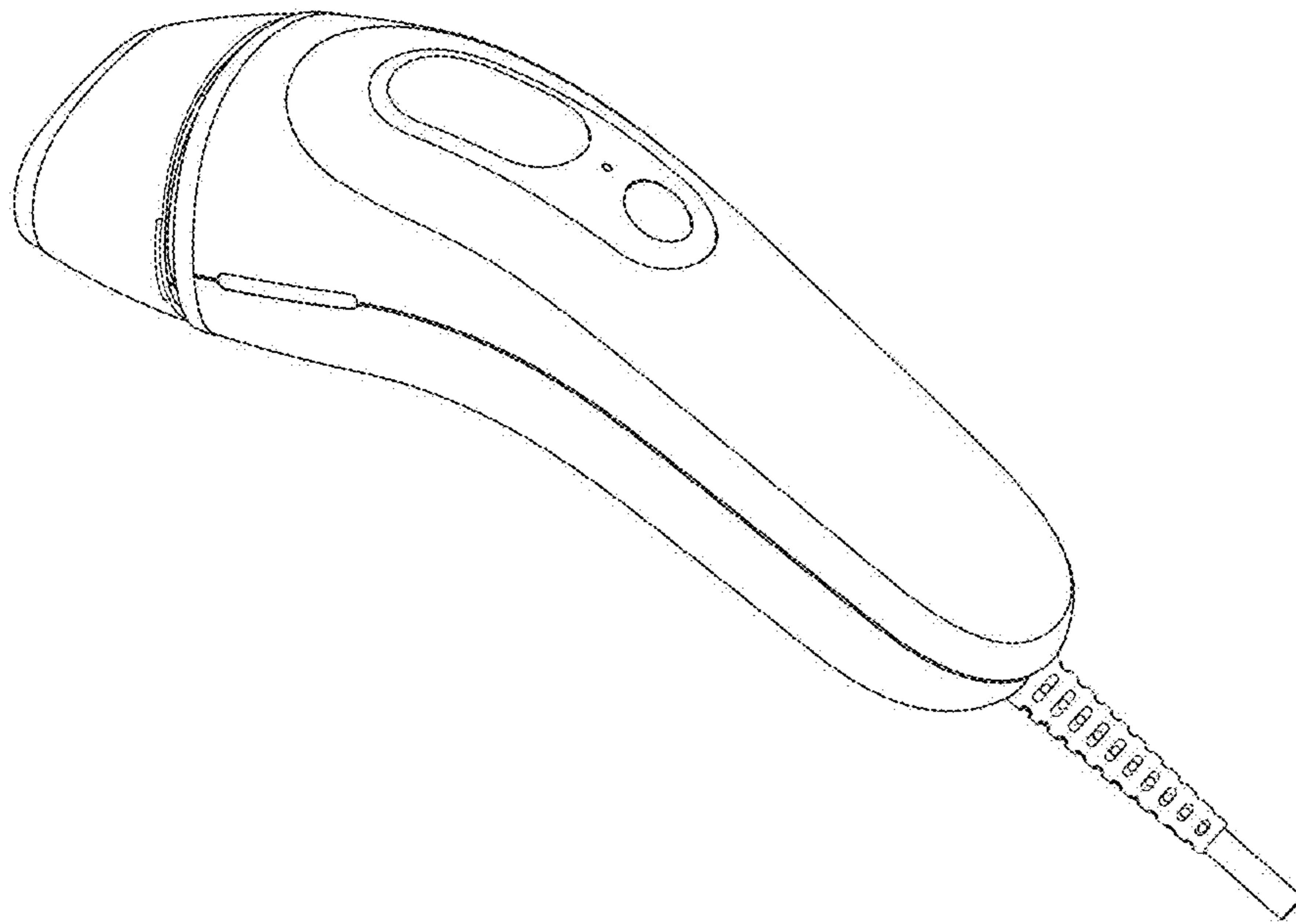


Figure 9

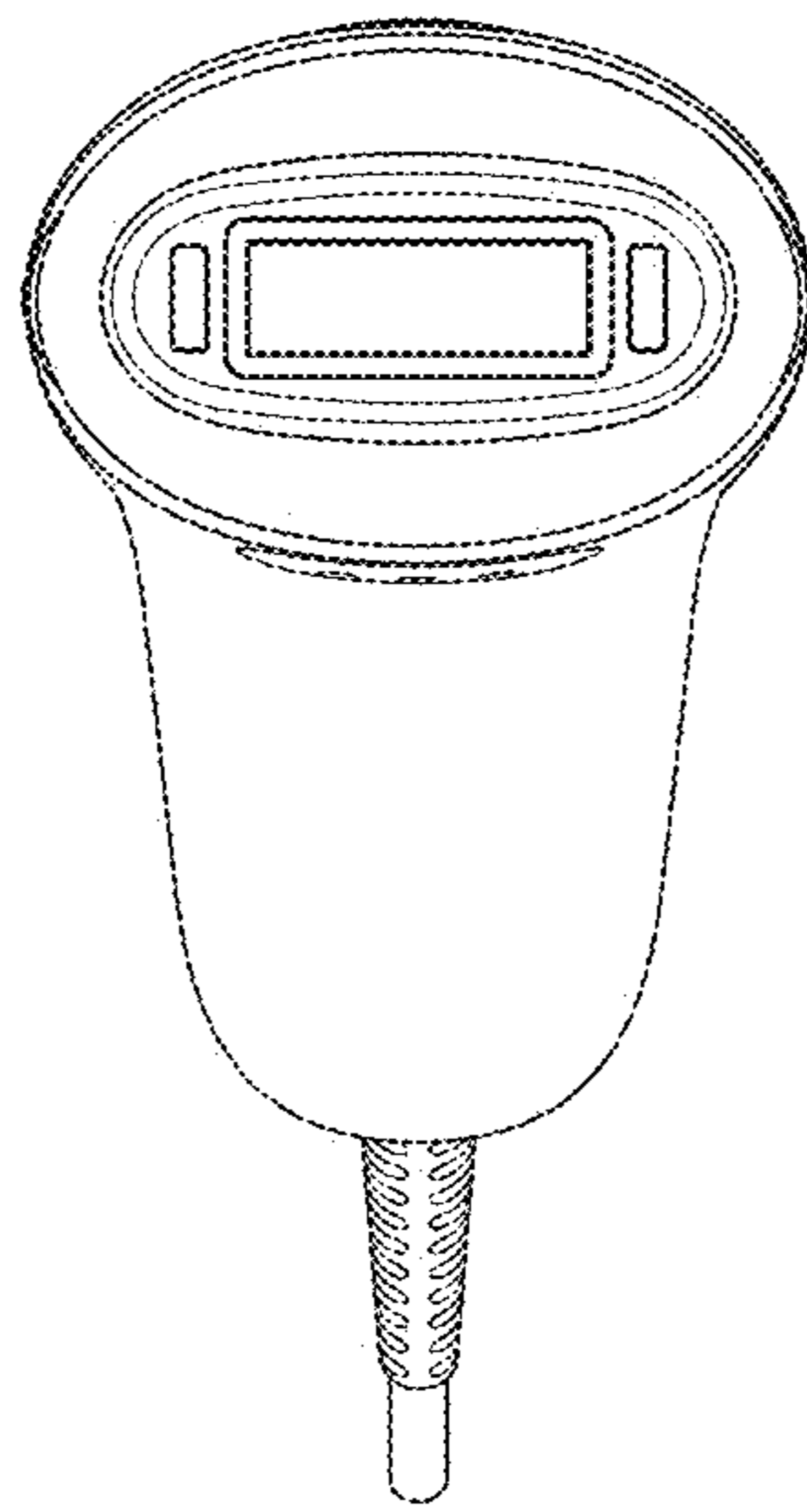


Figure 10

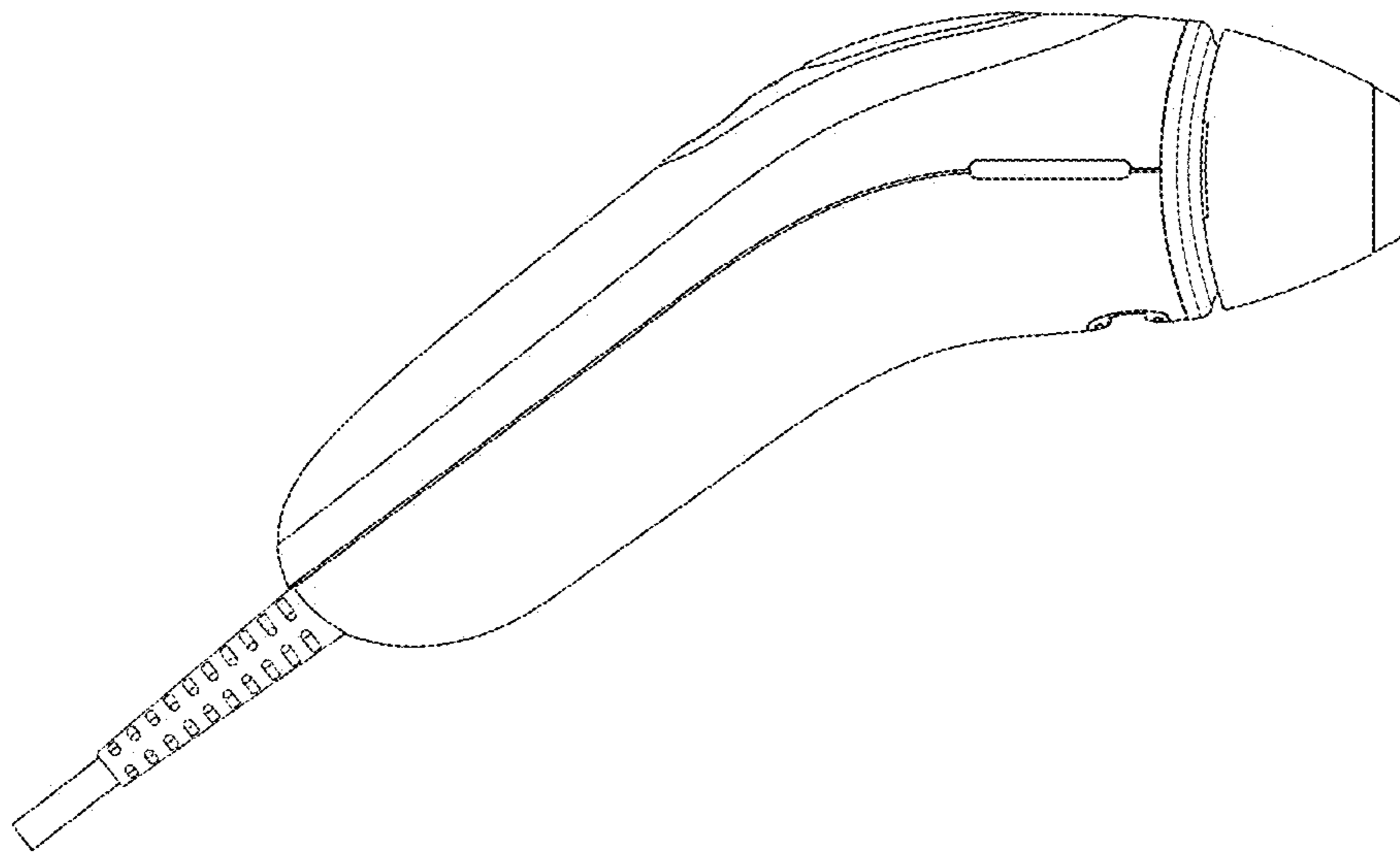


Figure 11

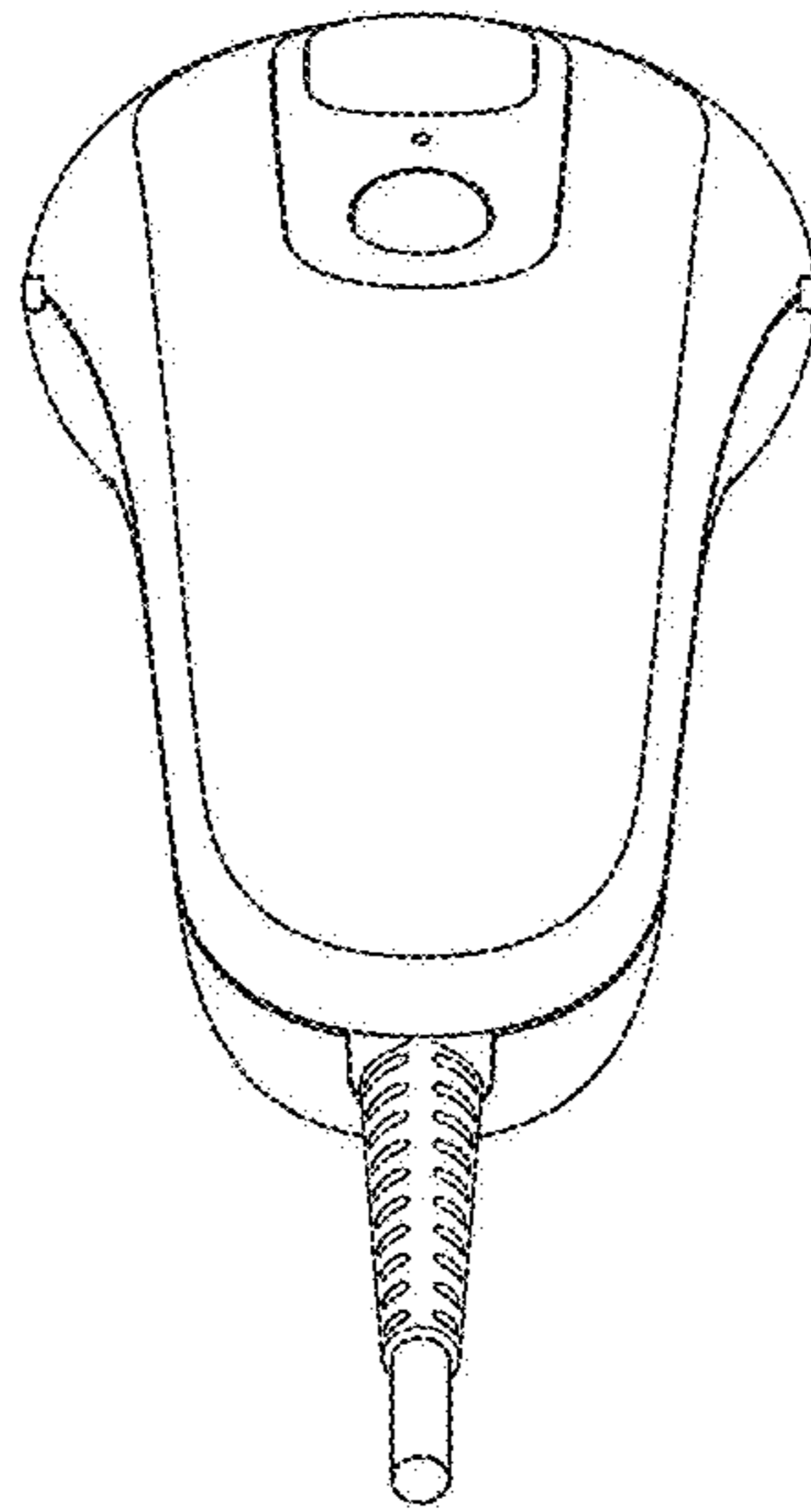


Figure 12

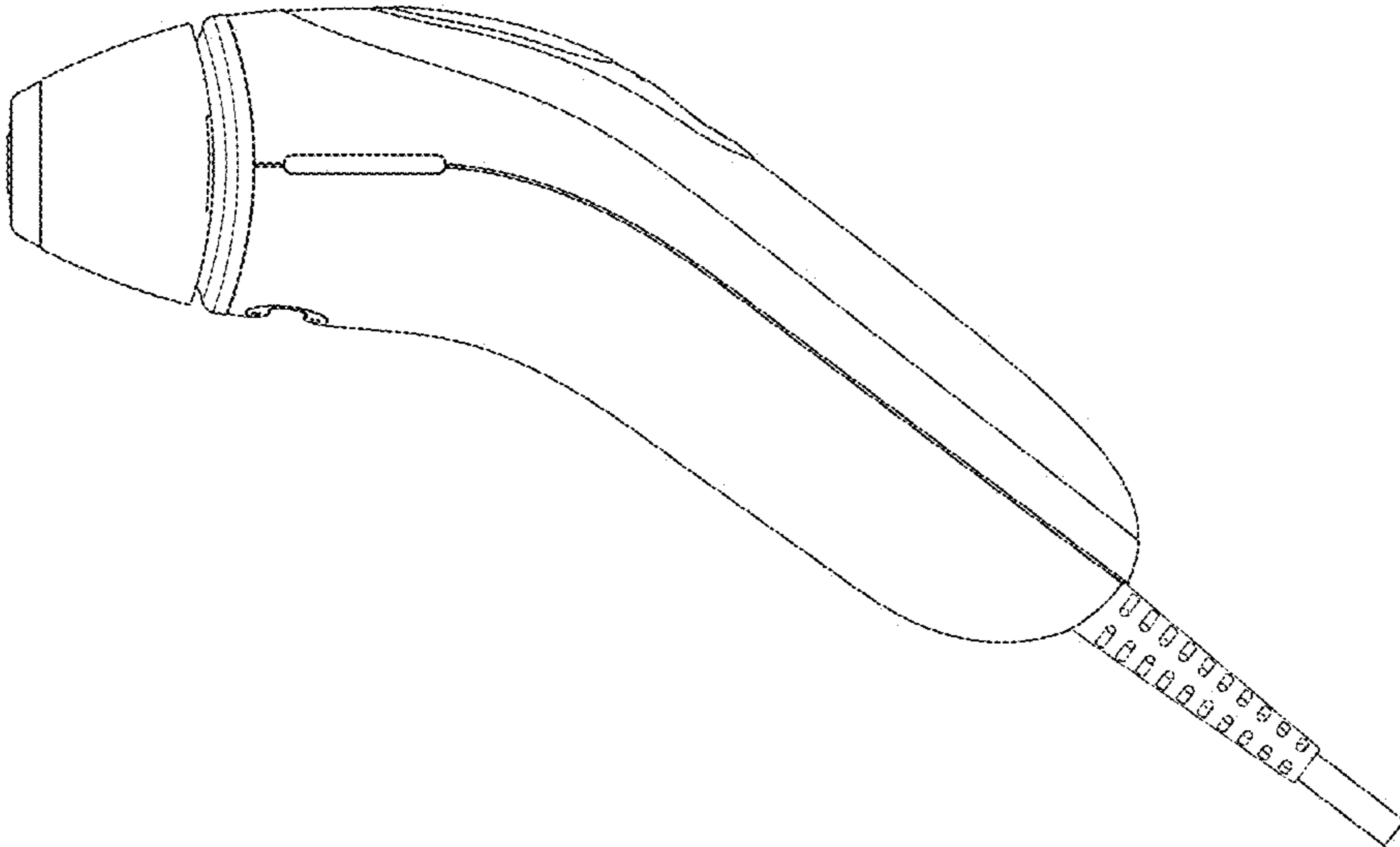


Figure 13

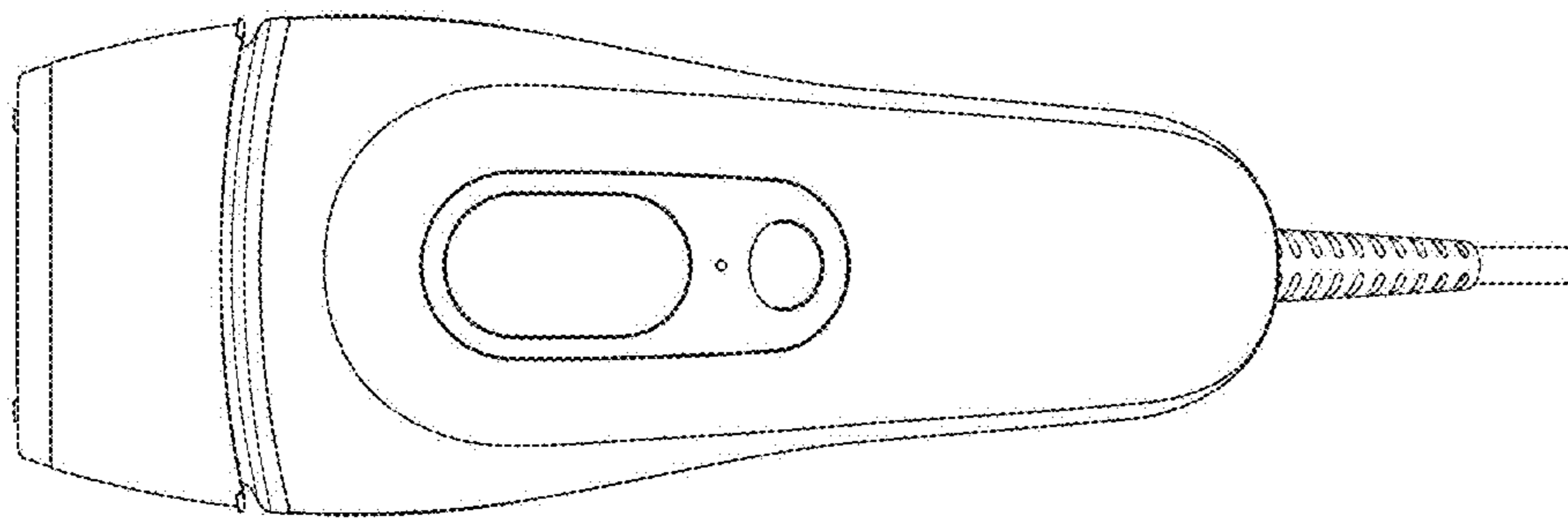


Figure 14

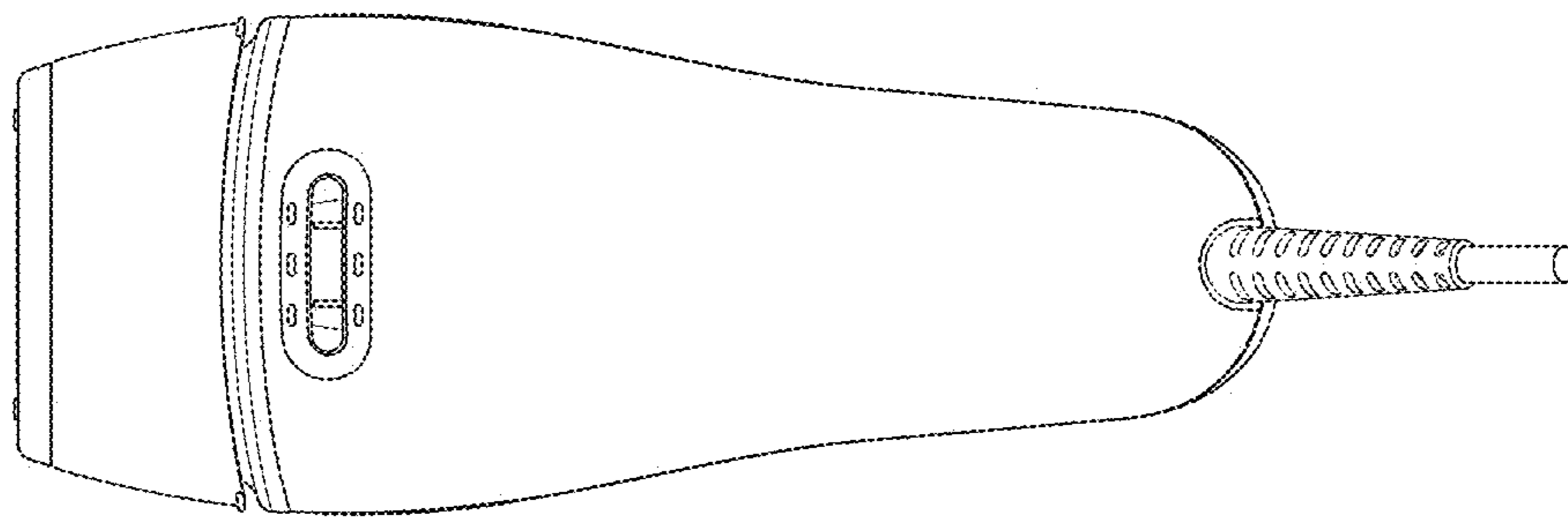


Figure 15

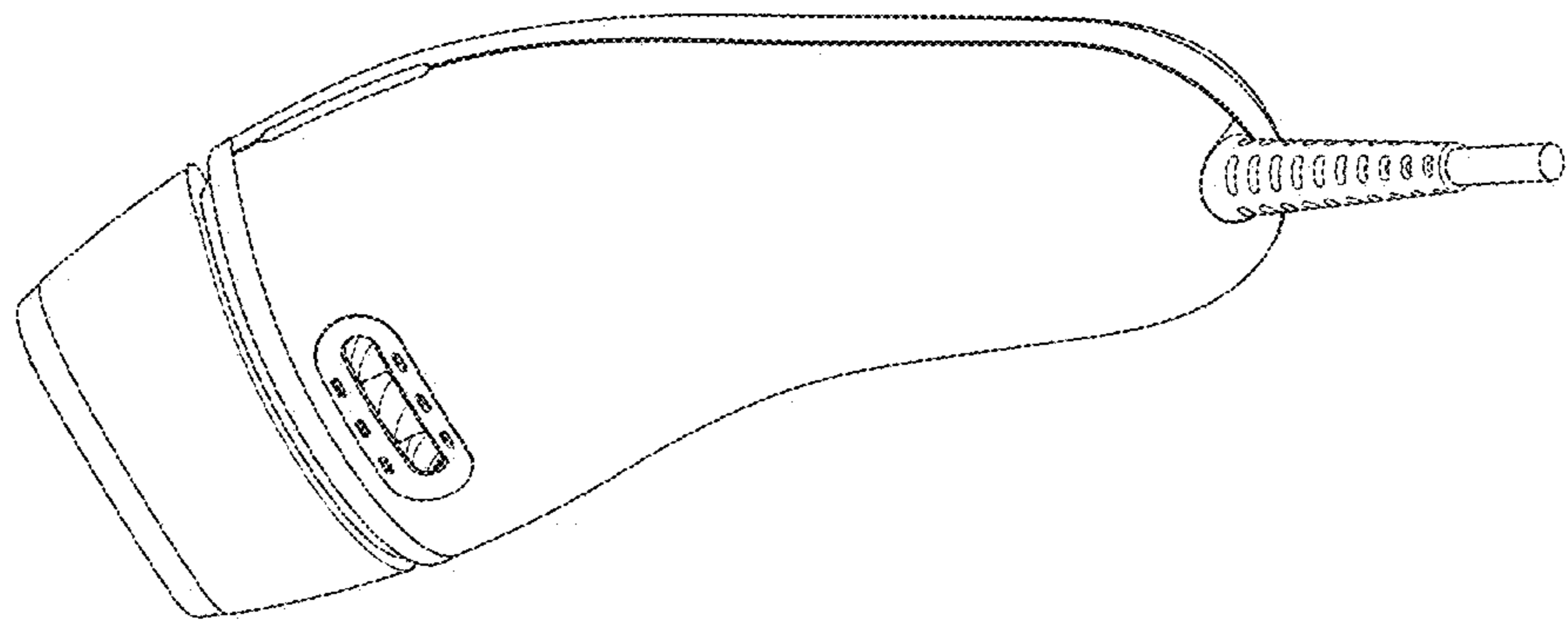


Figure 16



Figure 17



Figure 18



Figure 19



Figure 20



Figure 21



Figure 22



Figure 23

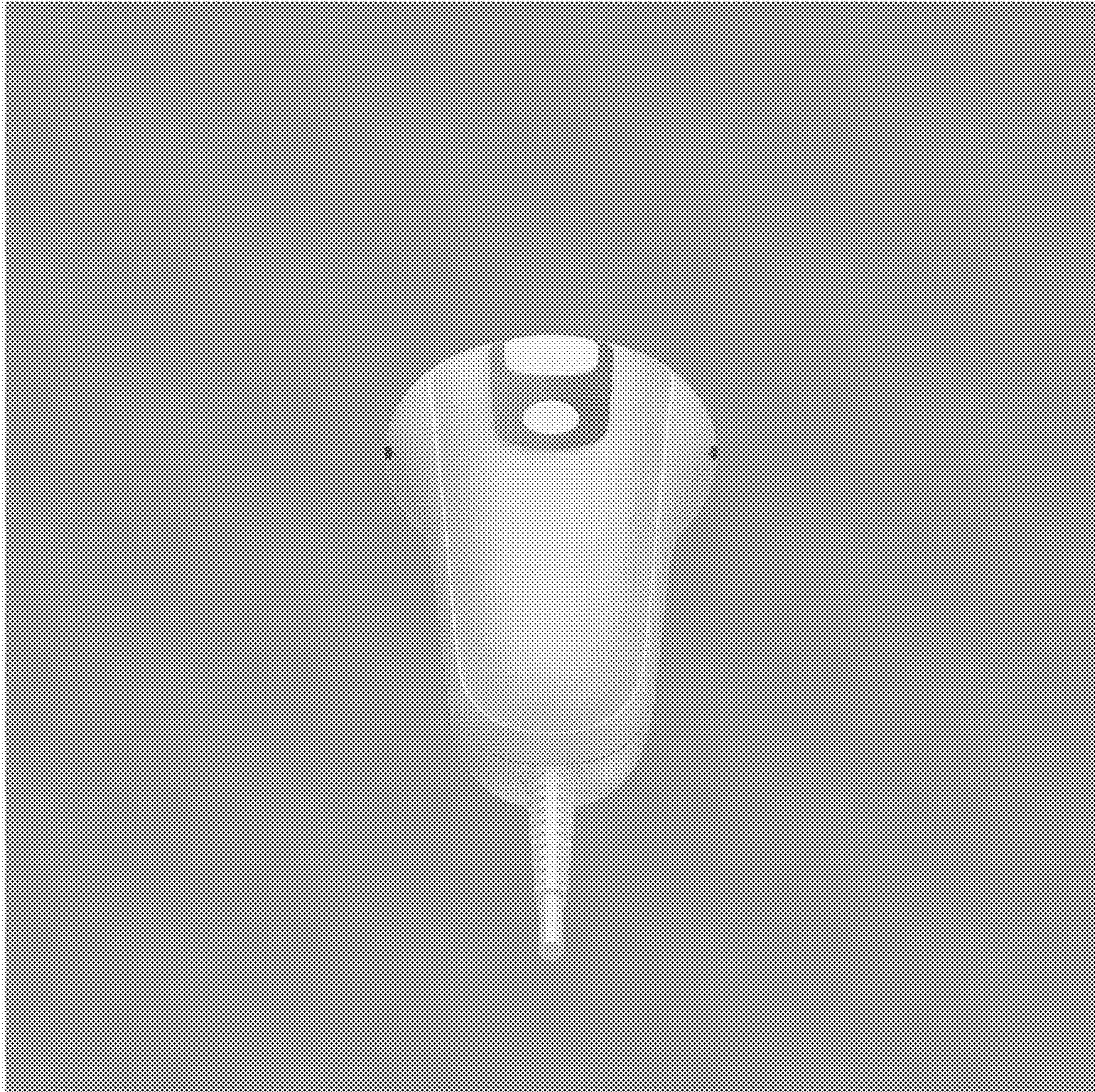


Figure 24



Figure 25



Figure 26



Figure 27



Figure 28



Figure 29



Figure 30



Figure 31



Figure 32