



US00D905334S

(12) **United States Design Patent** (10) **Patent No.:** **US D905,334 S**
Hu (45) **Date of Patent:** **** Dec. 15, 2020**

(54) **HAIR STRAIGHTENER**
(71) Applicant: **Dongguan Fumeikang Electrical Technology Co., LTD.,** Dongguan (CN)
(72) Inventor: **Haowen Hu,** Dongguan (CN)
(73) Assignee: **DONGGUAN FUMEIKANG ELECTRICAL TECHNOLOGY CO., LTD.,** Dongguan (CN)

D876,015 S * 2/2020 Lin D28/35
D884,271 S * 5/2020 Liao D28/35
D884,967 S * 5/2020 Peng D28/35

FOREIGN PATENT DOCUMENTS

CN 305710789 * 11/2019
EM 007205141-0001 * 11/2019

OTHER PUBLICATIONS

INGLAM 360° Airflow Styler Hair Straightener with Cooling Fan [online], [site visited Oct. 21, 2020]. Available from internet, URL:<<https://www.amazon.com/INGLAM-Airflow-Straightener-Professional-Straight/dp/B086YLJ7F3/>> (Year: 2020).*

* cited by examiner

Primary Examiner — Cynthia Ramirez
Assistant Examiner — Xavier Marti-Santos
(74) *Attorney, Agent, or Firm* — Shimokaji IP

(**) Term: **15 Years**
(21) Appl. No.: **29/712,430**
(22) Filed: **Nov. 8, 2019**
(51) **LOC (12) Cl.** **28-03**
(52) **U.S. Cl.**
USPC **D28/35**
(58) **Field of Classification Search**
USPC D28/10, 35, 37, 38
CPC A45D 2/00; A45D 2001/045; A45D 1/16;
A45D 1/04; A45D 1/18; A45D 1/06-14;
A45D 2/02-10; A45D 2/38-42; A45D
2/001-002
See application file for complete search history.

(57) **CLAIM**

The ornamental design for a hair straightener, as shown and described.

(56) **References Cited**

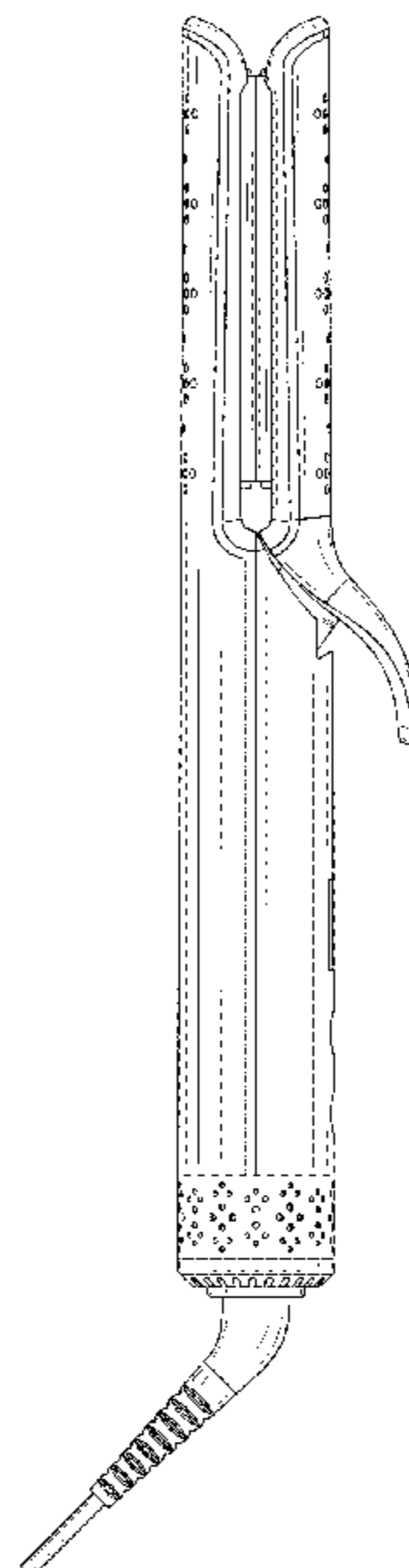
U.S. PATENT DOCUMENTS

D650,129 S * 12/2011 Hein D28/35
D650,130 S * 12/2011 Hein D28/35
8,464,729 B2 * 6/2013 Liao A45D 1/04
132/228
8,544,478 B2 * 10/2013 Liao A45D 1/04
132/232
D769,523 S * 10/2016 Fan D28/35
D835,843 S * 12/2018 Fan D28/35
D850,002 S * 5/2019 Bates D28/35
D870,968 S * 12/2019 Peng D28/35
D872,360 S * 1/2020 Abramov D28/35
D875,311 S * 2/2020 Yang D28/35

DESCRIPTION

FIG. 1 is a front elevation view of a hair straightener showing our design;
FIG. 2 is a rear elevational view thereof;
FIG. 3 is a left side elevational view thereof;
FIG. 4 is a right side elevational view thereof;
FIG. 5 is a top plan view thereof;
FIG. 6 is a bottom plan view thereof;
FIG. 7 is a first perspective view thereof; and,
FIG. 8 is a second perspective view thereof.

1 Claim, 6 Drawing Sheets



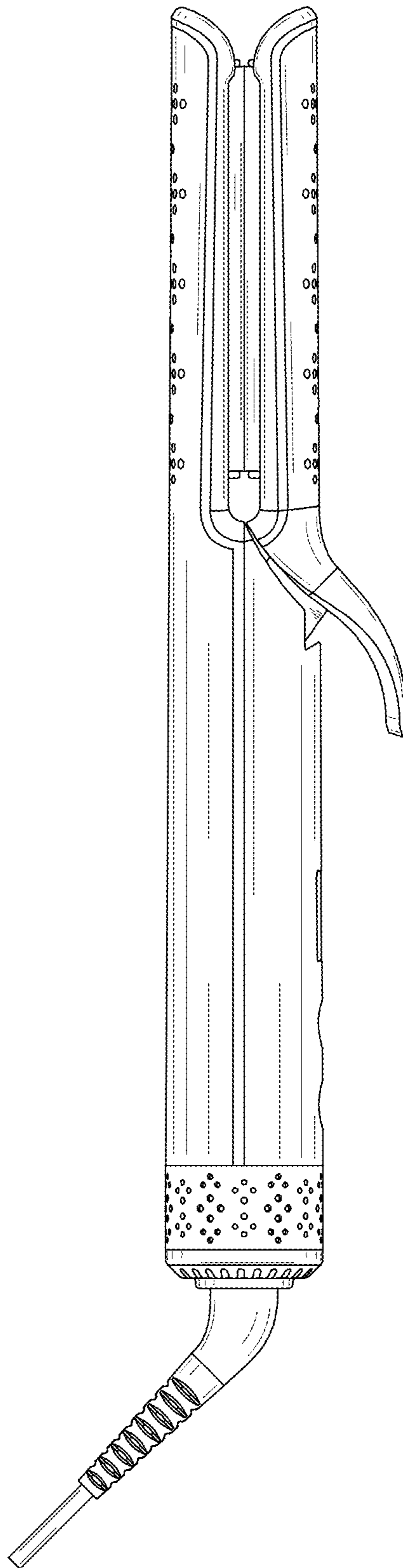


FIG. 1

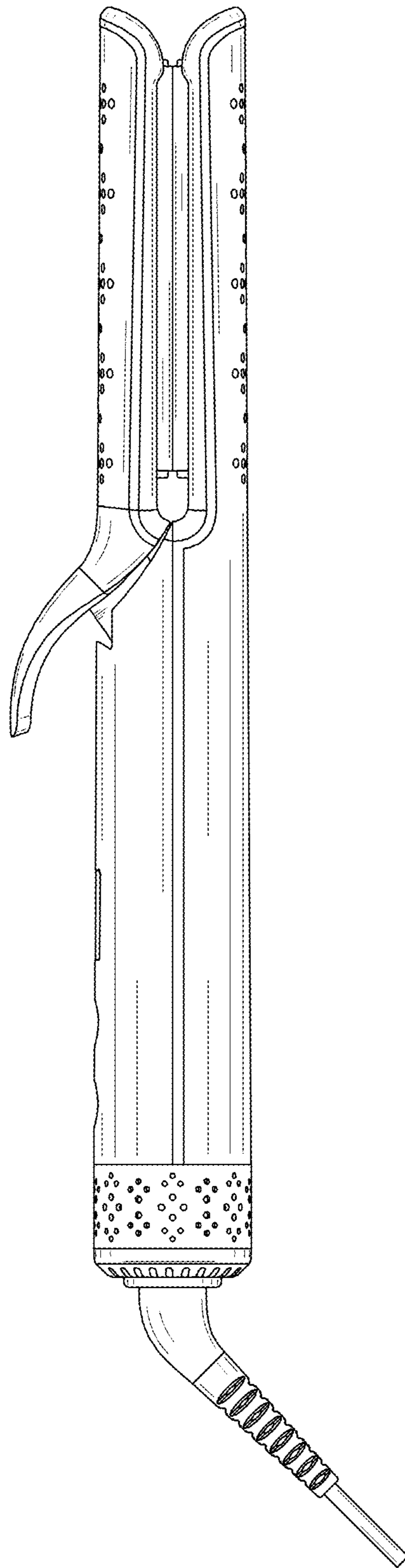


FIG.2

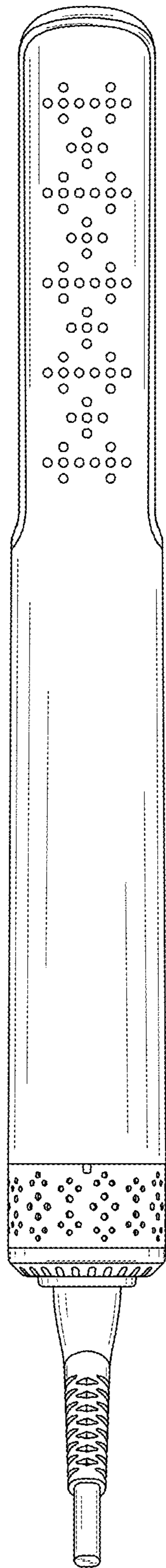


FIG. 3

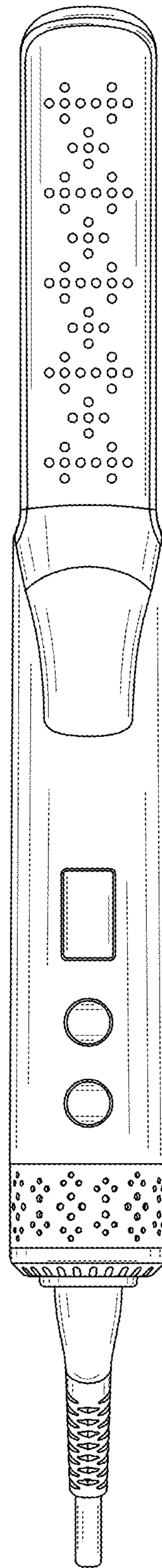


FIG. 4

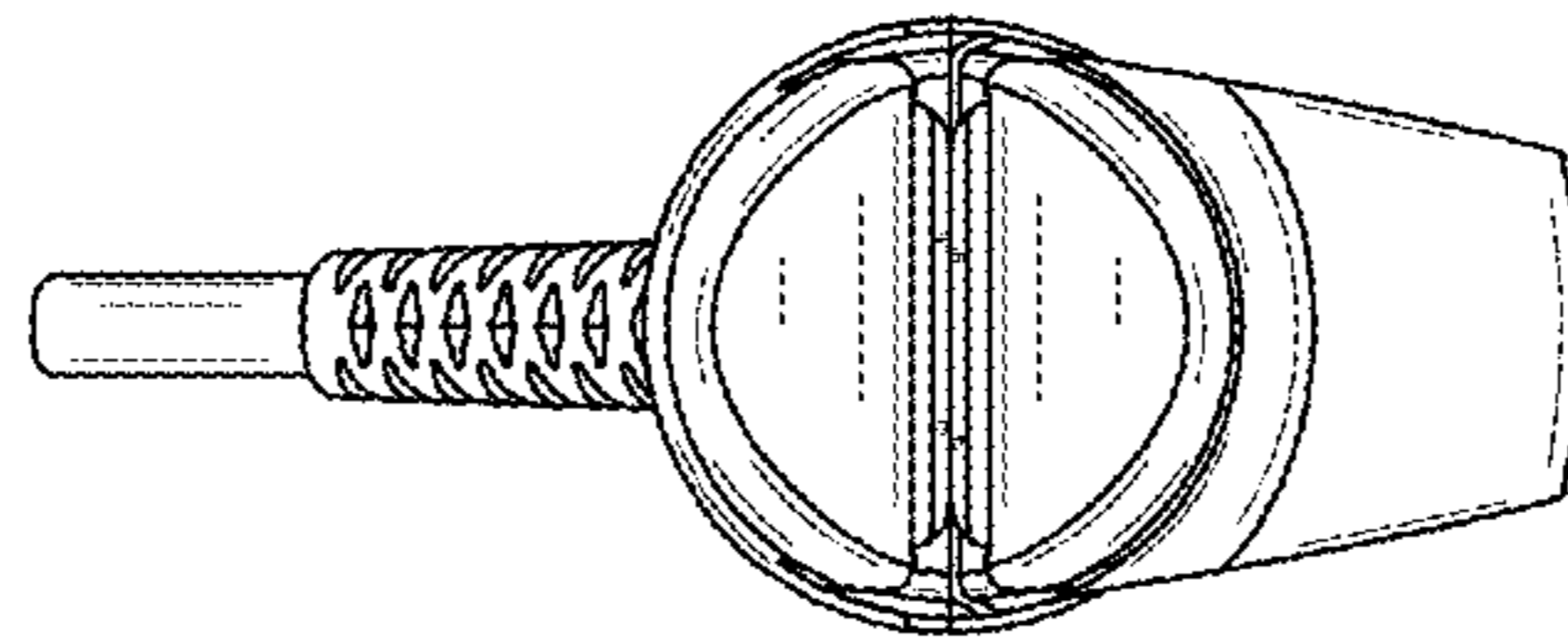


FIG. 5

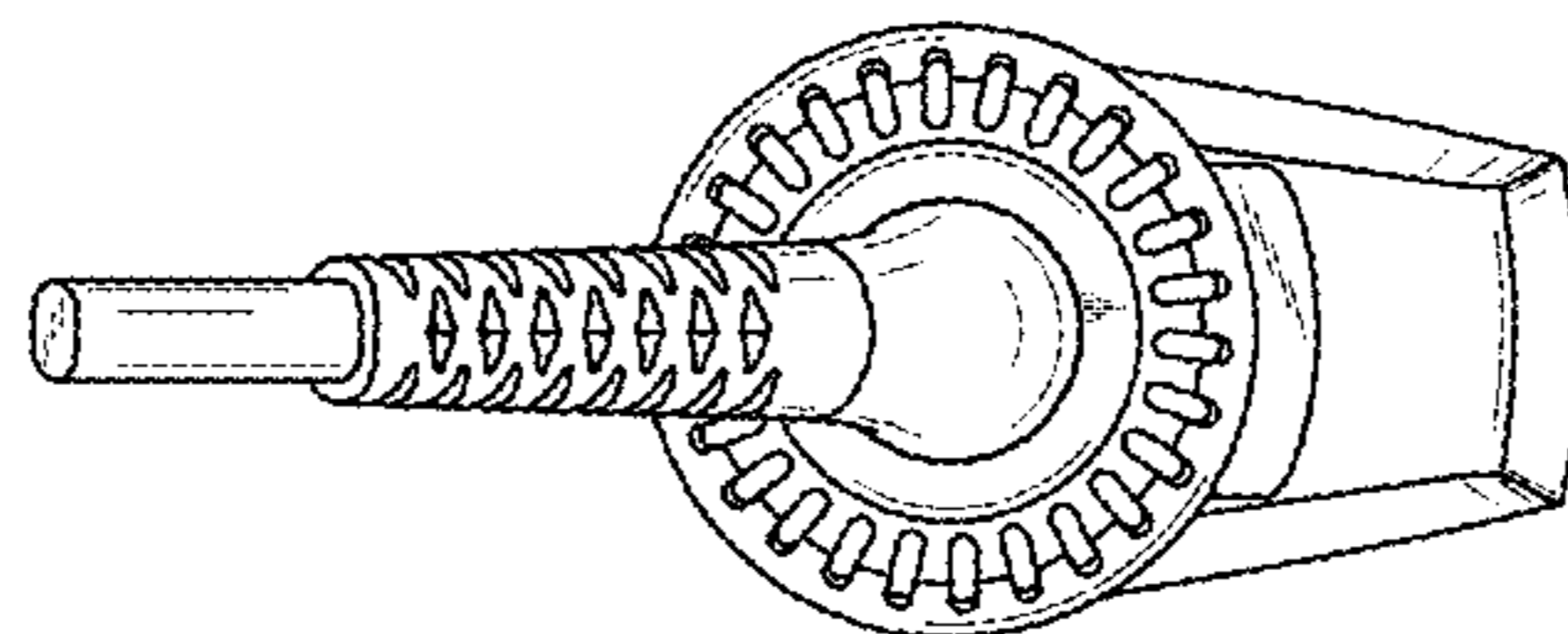


FIG. 6

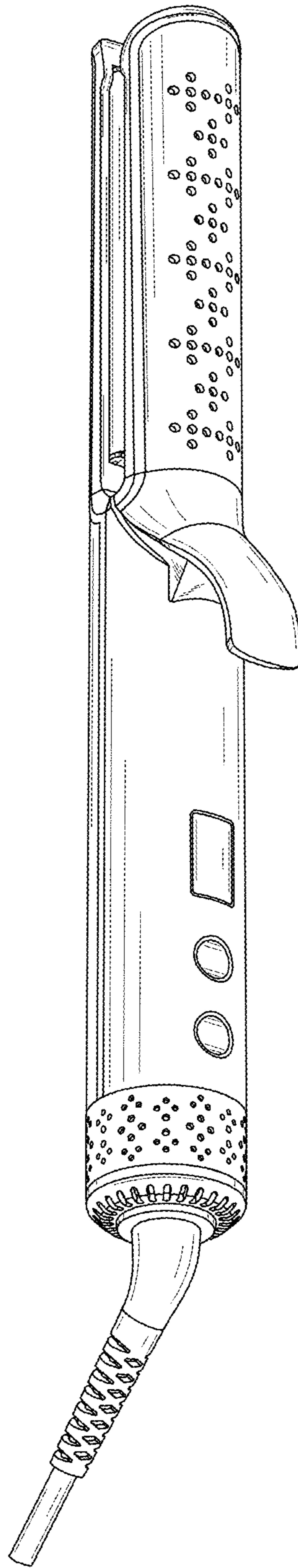


FIG. 7

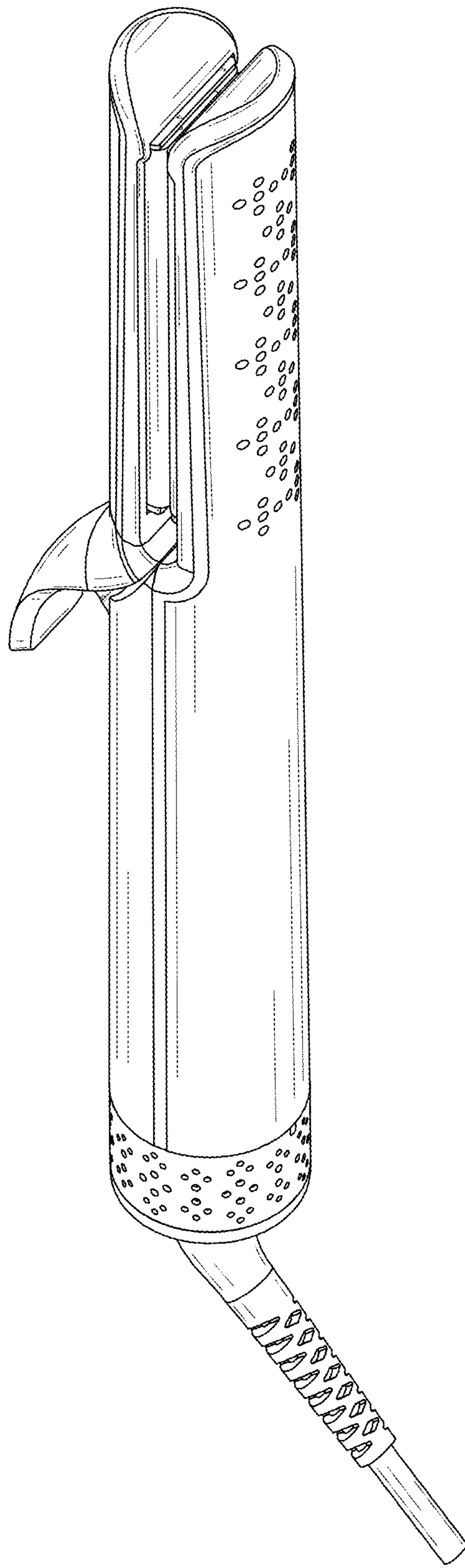


FIG.8