



US00D905328S

(12) **United States Design Patent** (10) **Patent No.:** **US D905,328 S**
Velez (45) **Date of Patent:** **** Dec. 15, 2020**

(54) **LIGHT FIXTURE**
(71) Applicant: **HOLLY HUNT ENTERPRISES, INC.**, Chicago, IL (US)
(72) Inventor: **Alberto Velez**, Chicago, IL (US)
(73) Assignee: **HOLLY HUNT ENTERPRISES, INC.**, Chicago, IL (US)
(**) Term: **15 Years**
(21) Appl. No.: **29/688,620**
(22) Filed: **Apr. 23, 2019**
(51) **LOC (12) Cl.** **26-99**
(52) **U.S. Cl.**
USPC **D26/154; D26/88**
(58) **Field of Classification Search**
USPC D26/80-86, 88, 90, 91, 153, 138, 154
CPC F21S 8/04; F21S 8/043; F21S 8/046; F21S 8/06; F21S 8/061; F21S 8/063; F21S 8/065
See application file for complete search history.

D783,879 S 4/2017 Dolan
D796,107 S 8/2017 Boorom et al.
D799,098 S * 10/2017 Hendifar D26/88
D831,264 S * 10/2018 Sonneman D26/90
D846,789 S * 4/2019 Barber D26/88
D860,508 S * 9/2019 Coombes D26/88
D862,772 S * 10/2019 Wellens D26/88
D863,653 S * 10/2019 Bouroullec D26/88
D869,741 S * 12/2019 Sonneman D26/138
D870,356 S * 12/2019 Meise D26/90
(Continued)

OTHER PUBLICATIONS

Tanzania Pendant Light Fused Glass from ohrlighting.com, visited May 26, 2020. (Year: 2020).*
(Continued)

Primary Examiner — Clare E Heflin
(74) *Attorney, Agent, or Firm* — The Belles Group, P.C.

(57) **CLAIM**

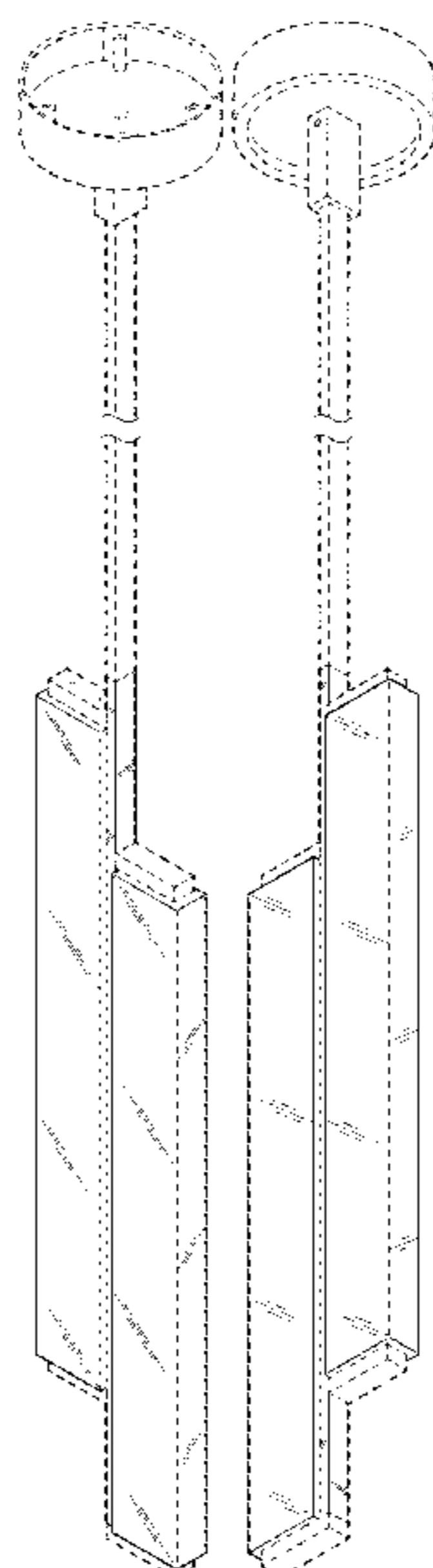
The ornamental design for a light fixture, as shown and described.

DESCRIPTION

FIG. 1 is a front perspective view of a light fixture according to the new design;
FIG. 2 is a rear perspective view thereof;
FIG. 3 is a front view thereof;
FIG. 4 is a rear view thereof;
FIG. 5 is a right side view thereof;
FIG. 6 is a left side view thereof;
FIG. 7 is a top view thereof; and,
FIG. 8 is a bottom view thereof.
The broken lines in the drawings illustrate portions of the light fixture the form no part of the claimed design. The appearance of any portion of the light fixture located between the break lines forms no part of the claimed design.

1 Claim, 5 Drawing Sheets

(56) **References Cited**
U.S. PATENT DOCUMENTS
D214,751 S * 7/1969 Friedman et al. D26/154
D330,780 S * 11/1992 Segill D26/152
D403,457 S 12/1998 Walz
D443,945 S 6/2001 Littman
D457,679 S 5/2002 Littman
D520,667 S 5/2006 Jae-Sung et al.
D586,493 S 2/2009 Parres
D614,340 S * 4/2010 Thun D26/88
D634,051 S * 3/2011 Sabernig D26/88
D689,646 S 9/2013 NanKil
D689,647 S * 9/2013 Brott D26/86
D705,482 S * 5/2014 Schuyler D26/154
D727,551 S * 4/2015 Clark D26/88
D773,713 S * 12/2016 Walsh D26/81



(56)

References Cited

U.S. PATENT DOCUMENTS

2019/0390828 A1* 12/2019 Kotovsky F21V 21/008

OTHER PUBLICATIONS

Chandelier Light from Etsy shop: RamziGlass. Listing No. 601362747

Sold at etsy.com as early as Sep. 26, 2019. (Year: 2019).*

Casino contemporary chandelier from the Massifcentral elemental lighting 20217 catalog. <archiexpo.com/prod/massifcentral/product-85518-1747604.html> (Year: 2017).*

Sofia 19" Wide Polished Nickel 2-Light LED Bath Light from lampsplus.com visited Aug. 4, 2020. (Year: 2020).*

* cited by examiner

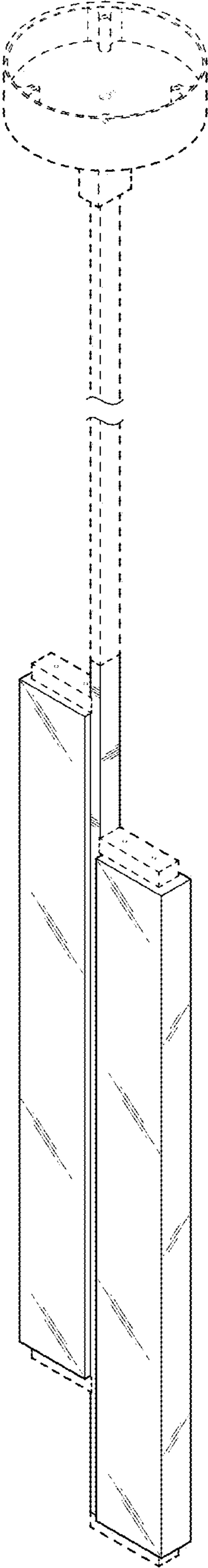


FIG. 1

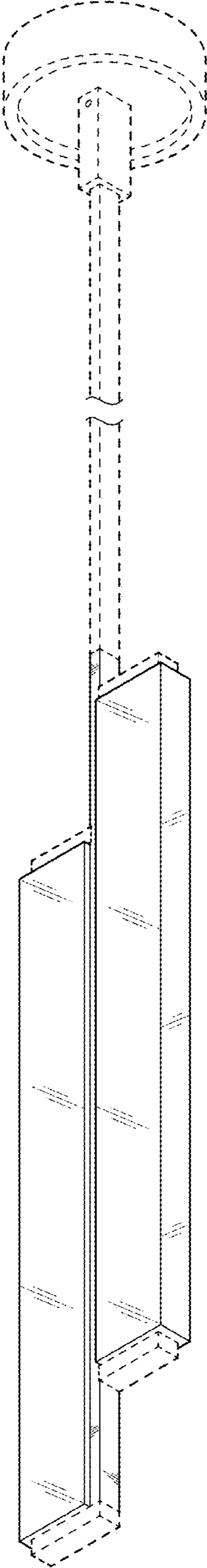


FIG. 2

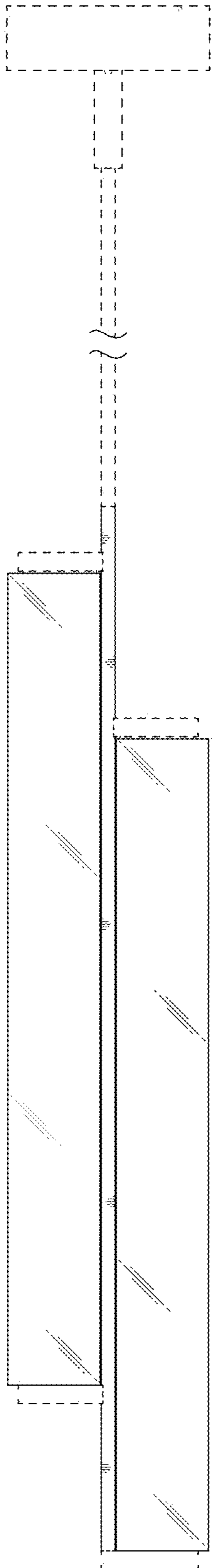


FIG. 3

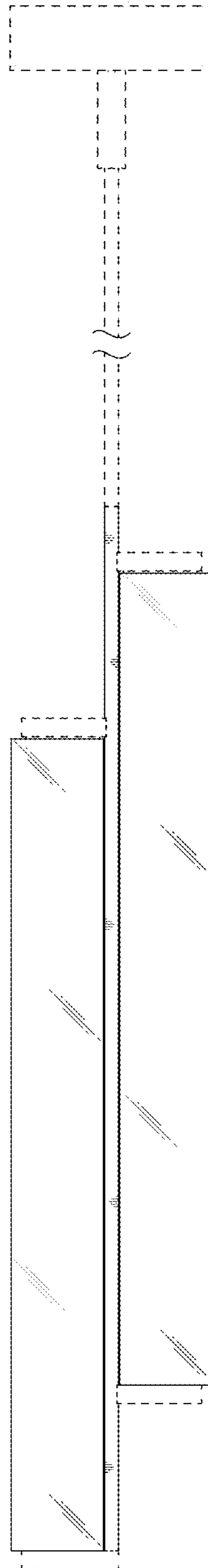


FIG. 4

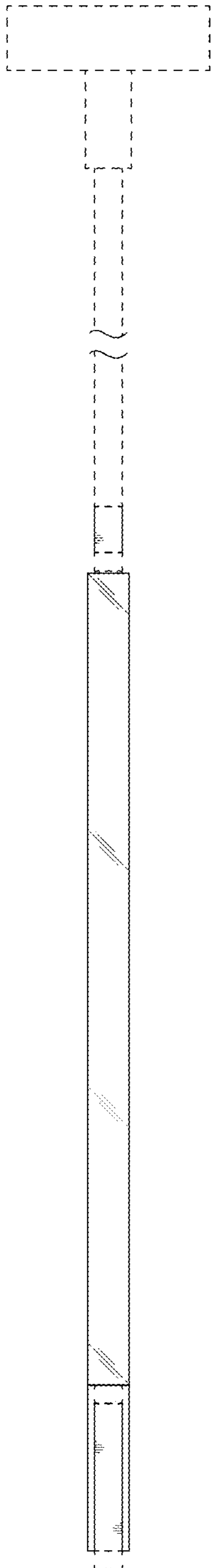


FIG. 5

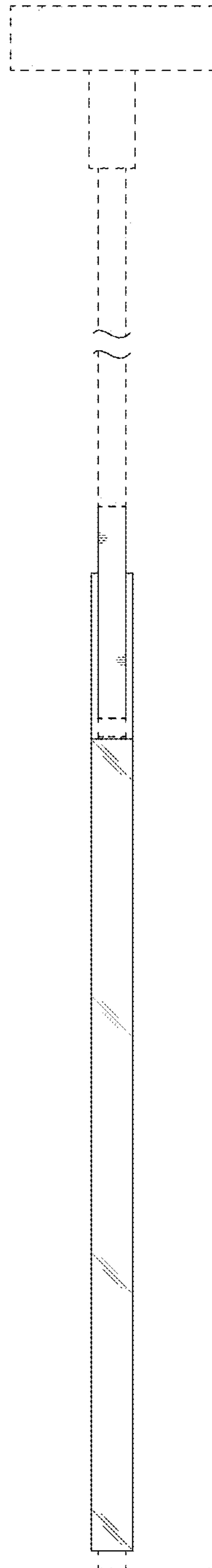


FIG. 6

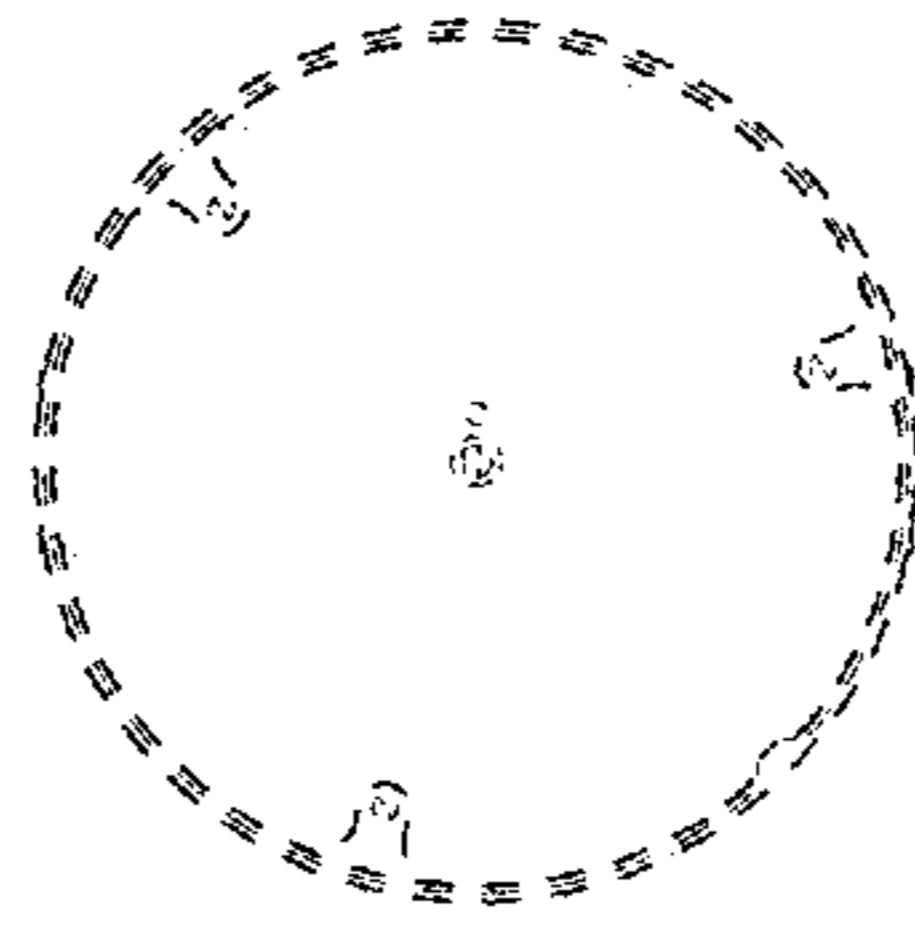


FIG. 7

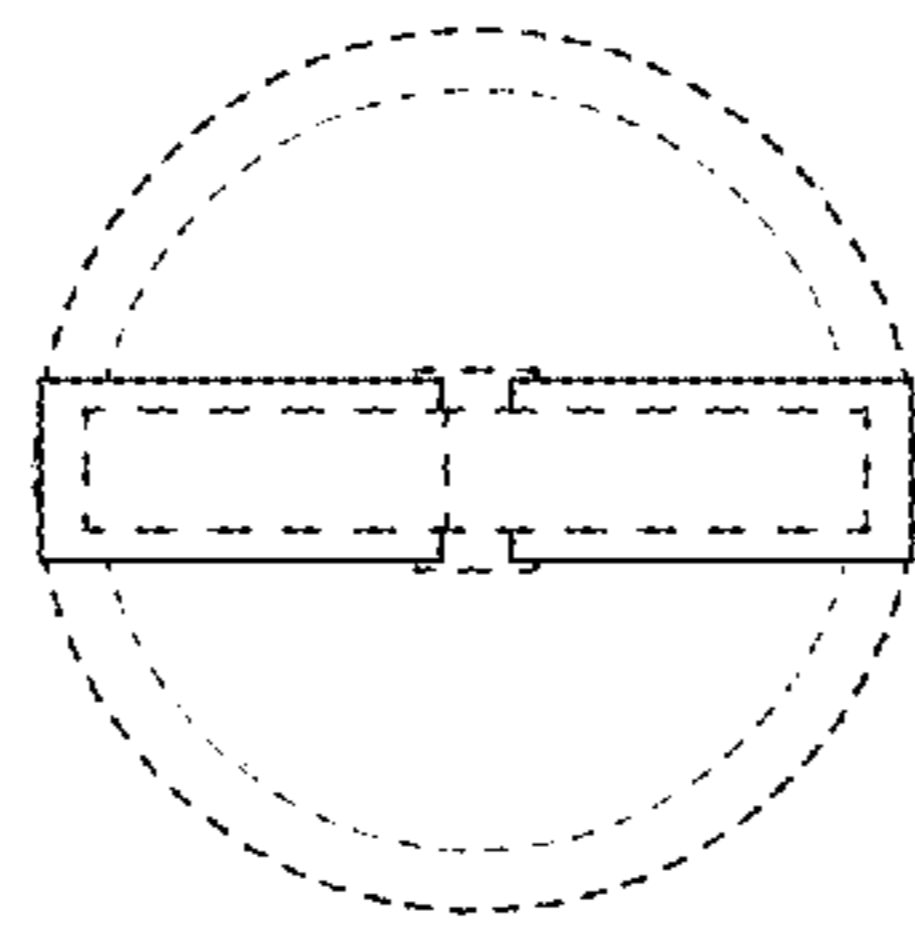


FIG. 8