



US00D905323S

(12) **United States Design Patent** (10) **Patent No.:** **US D905,323 S**
Scarlata et al. (45) **Date of Patent:** **** Dec. 15, 2020**

- (54) **WALLPACK LIGHT FIXTURE**
- (71) Applicant: **Eaton Intelligent Power Limited**,
Dublin (IE)
- (72) Inventors: **Andrew F. Scarlata**, West Monroe, NY
(US); **Virginia Merriam**, Clay, NY
(US); **Pradeep Bangalore Venugopal**,
Bangalore (IN); **Priya Ranjan**
Haridasan, Calicut (IN); **Ramashesan**
Subramaniyan, Tiruvannamalai (IN);
Pareekshith Parashiva Murthy,
Mysore (IN); **Daniel Treible**, Liverpool,
NY (US); **Patrick Blincoe**, Kirkville,
NY (US); **Gangadhar Mestri**, Pune
(IN)
- (73) Assignee: **Eaton Intelligent Power Limited**,
Dublin (IE)
- (**) Term: **15 Years**
- (21) Appl. No.: **29/668,275**
- (22) Filed: **Oct. 29, 2018**
- (51) **LOC (12) Cl.** **26-05**
- (52) **U.S. Cl.**
USPC **D26/118**
- (58) **Field of Classification Search**
USPC D26/1, 24, 28, 29, 44, 46, 61, 63, 119,
D26/123, 124; 362/227, 217.1, 217.12,
362/217.13, 217.16, 217.17, 249.07
CPC F21V 29/74; F21V 29/83; F21V 29/763;
F21V 15/00; F21V 15/01; F21V 15/04;
F21V 15/012; F21V 21/06; F21V 21/15;
F21V 21/30; F21W 2131/10; F21W
2131/40; F21W 2131/406; F21W
2131/1005

See application file for complete search history.

- (56) **References Cited**
- U.S. PATENT DOCUMENTS
- | | | | | | |
|-----------|------|---------|--------------|-------|--------------------------|
| D256,057 | S * | 7/1980 | Ichikawa | | D26/29 |
| 4,498,126 | A * | 2/1985 | Hernandez | | F21V 19/04
362/217.05 |
| D289,086 | S * | 3/1987 | Yabata | | D26/29 |
| D291,252 | S * | 8/1987 | Ichikawa | | D26/29 |
| D293,824 | S * | 1/1988 | Ichikawa | | D26/29 |
| D353,474 | S * | 12/1994 | Shyan | | D26/63 |
| D413,689 | S * | 9/1999 | Hussaini | | D26/29 |
| 6,283,617 | B1 * | 9/2001 | Stekelenburg | | F21S 8/033
248/126 |

(Continued)

- OTHER PUBLICATIONS**
- European Search Report for European Application No. 19205220.7,
dated Feb. 26, 2020, 18 pages, The Hague, Netherlands.
- Primary Examiner* — Wan Laymon
Assistant Examiner — Clint A Samuel
(74) *Attorney, Agent, or Firm* — Stinson LLP

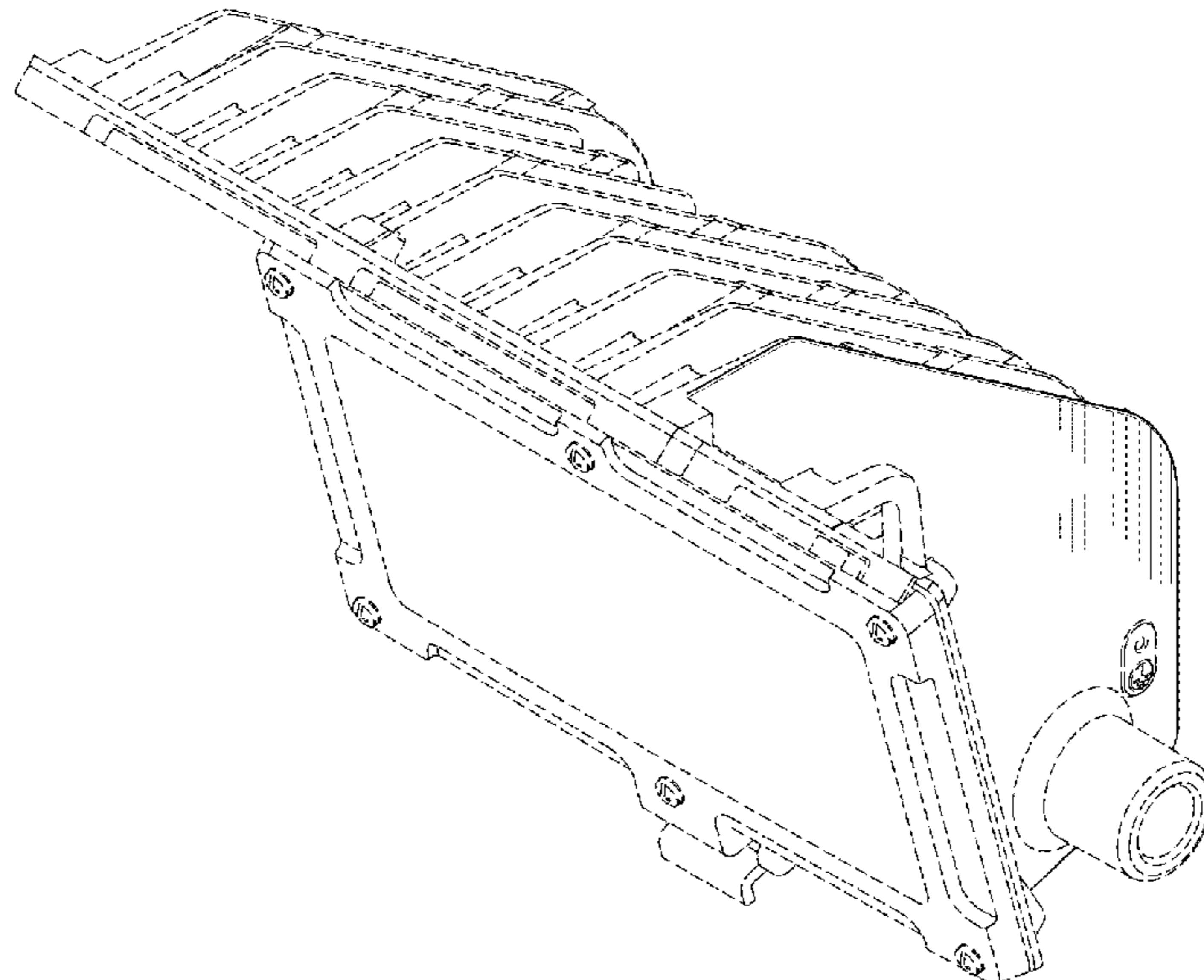
(57) **CLAIM**

The ornamental design for a wallpack light fixture, as shown
and described.

DESCRIPTION

FIG. 1 is a perspective of a wallpack light figure;
FIG. 2 is a front elevational view of the wallpack light
figure;
FIG. 3 is a top plan view of the wallpack light figure;
FIG. 4 is a right elevational view of the wallpack light
fixture;
FIG. 5 is a rear elevational view of the wallpack light fixture;
FIG. 6 is a bottom plan view of the wallpack light fixture;
and,
FIG. 7 is a left elevational view of the wallpack light fixture.
The broken line showing in the drawings is included for the
purpose of illustrating portions of the wallpack light fixture
and forms no part of the claimed design.

1 Claim, 7 Drawing Sheets



(56)

References Cited

U.S. PATENT DOCUMENTS

7,175,300 B1 * 2/2007 Medeiros F21V 19/008
 362/217.07
 D547,477 S * 7/2007 Guercio D26/63
 D565,223 S * 3/2008 Guercio D26/63
 D574,102 S * 7/2008 Quiogue D26/63
 D598,144 S * 8/2009 Ko D26/28
 7,651,245 B2 1/2010 Thomas et al.
 D610,734 S * 2/2010 Ward D26/74
 7,682,036 B2 3/2010 Reiff et al.
 D634,873 S * 3/2011 Guercio D26/71
 8,029,162 B2 10/2011 Curran et al.
 D650,112 S * 12/2011 Bryant D26/85
 8,235,555 B2 8/2012 Thomas et al.
 8,408,740 B2 4/2013 Barnwell et al.
 D693,509 S * 11/2013 Hosick D26/63
 D699,279 S * 2/2014 Zhan D16/239
 8,827,508 B2 9/2014 Sagal
 8,888,325 B2 11/2014 Thomas et al.
 8,915,617 B2 12/2014 Negandhi et al.
 9,134,019 B2 9/2015 Thomas et al.
 D744,143 S * 11/2015 Bobel D26/63
 D744,144 S * 11/2015 Bobel D26/63
 D770,078 S * 10/2016 Largent D26/118
 D774,675 S * 12/2016 Hong D26/63

D775,403 S * 12/2016 Adams D26/118
 D775,404 S * 12/2016 Adams D26/118
 9,523,491 B2 12/2016 Bailey et al.
 9,550,449 B2 * 1/2017 Paine B60Q 1/0088
 D784,599 S * 4/2017 Sibitzky D26/118
 D800,952 S * 10/2017 Shundong D26/93
 D807,538 S * 1/2018 Guercio D26/24
 D807,550 S * 1/2018 Tong D26/35
 D821,239 S * 6/2018 Tong D10/114.4
 D827,167 S * 8/2018 Deyaf D26/28
 D836,230 S * 12/2018 Guercio D26/63
 D839,458 S * 1/2019 Ting D26/28
 D852,399 S * 6/2019 Chen D26/63
 D853,005 S * 7/2019 Zou D26/63
 D853,006 S * 7/2019 Zou D26/63
 2008/0310162 A1 12/2008 Thomas et al.
 2012/0250321 A1 10/2012 Blincoe et al.
 2012/0268952 A1 10/2012 Newton
 2013/0265752 A1 * 10/2013 Shimizu F21V 5/007
 362/231
 2015/0167936 A1 6/2015 Yong
 2015/0351195 A1 12/2015 Sargent
 2016/0003464 A1 1/2016 Thomas et al.
 2016/0320046 A1 11/2016 Duckworth
 2017/0146224 A1 5/2017 Myers
 2017/0307204 A1 10/2017 Cattoni

* cited by examiner

FIG. 1

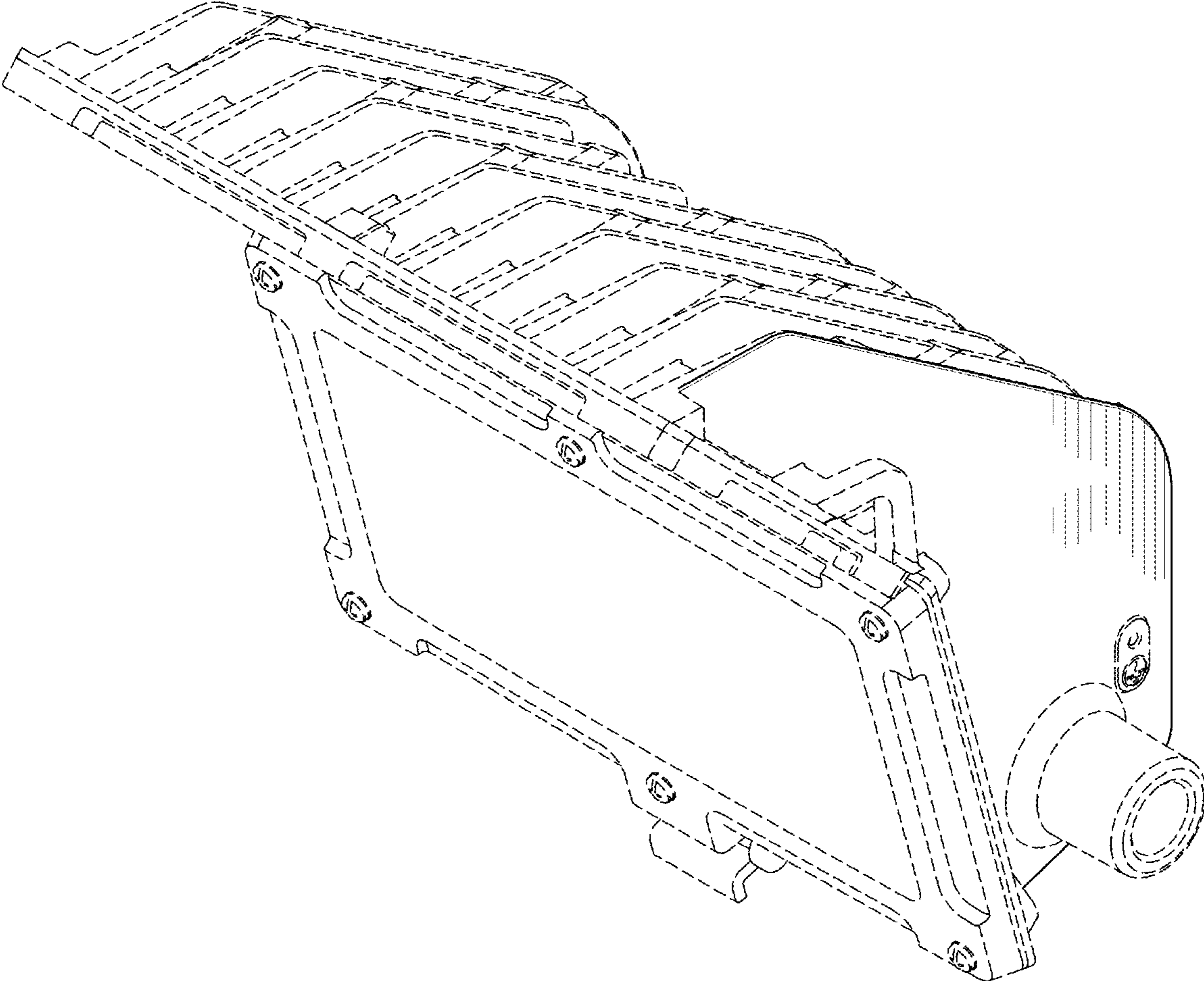


FIG. 2

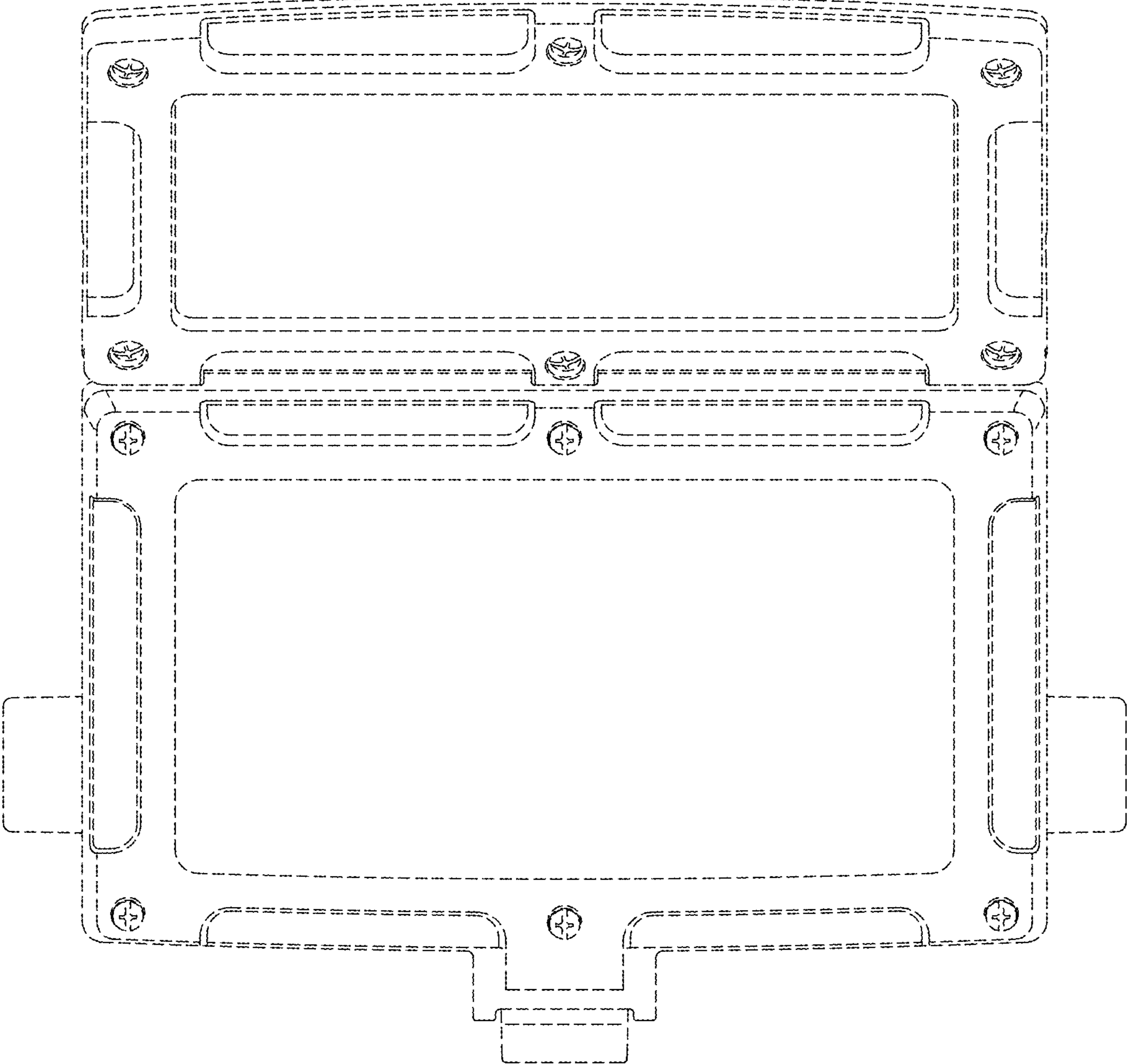


FIG. 3

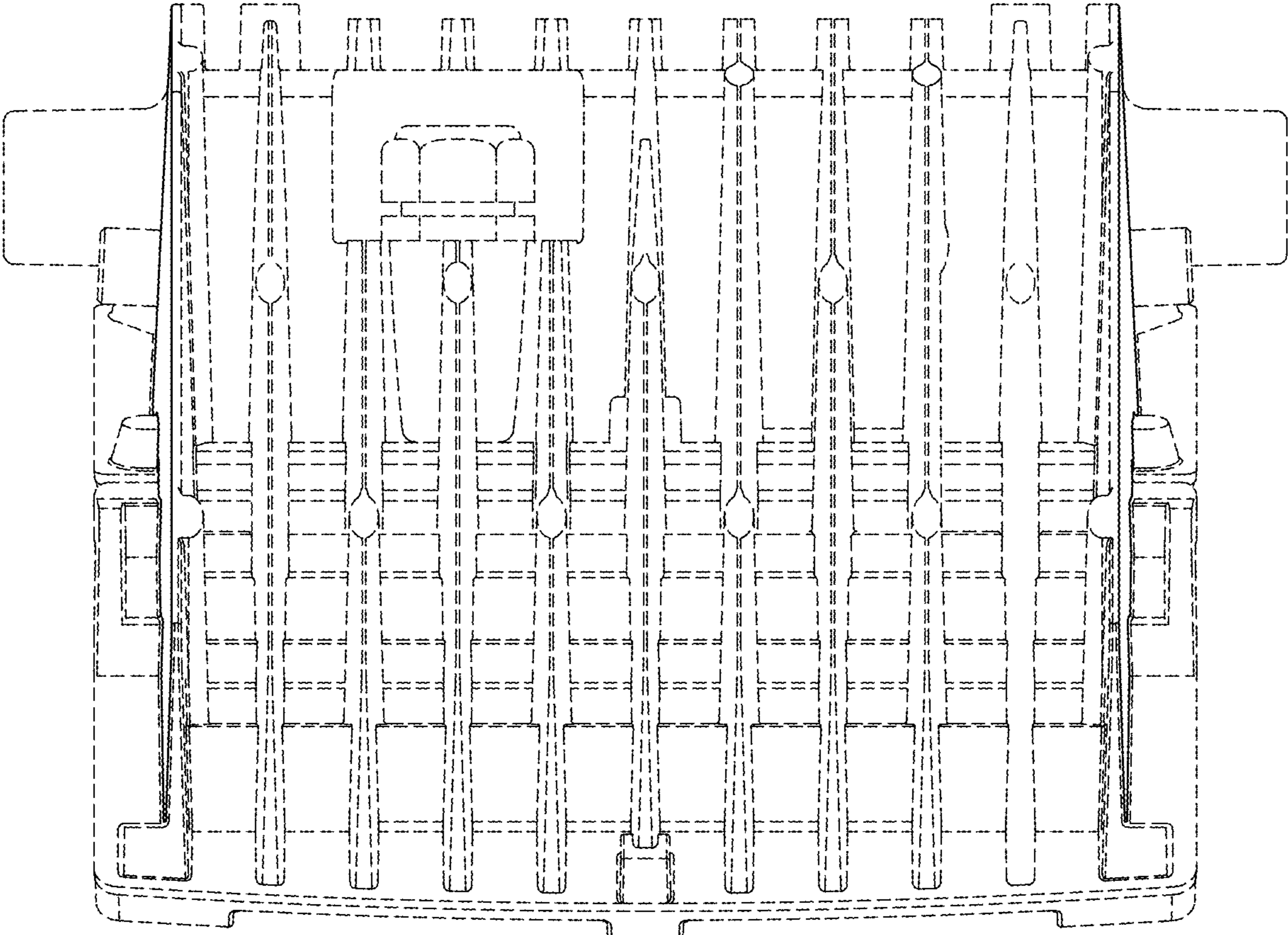


FIG. 4

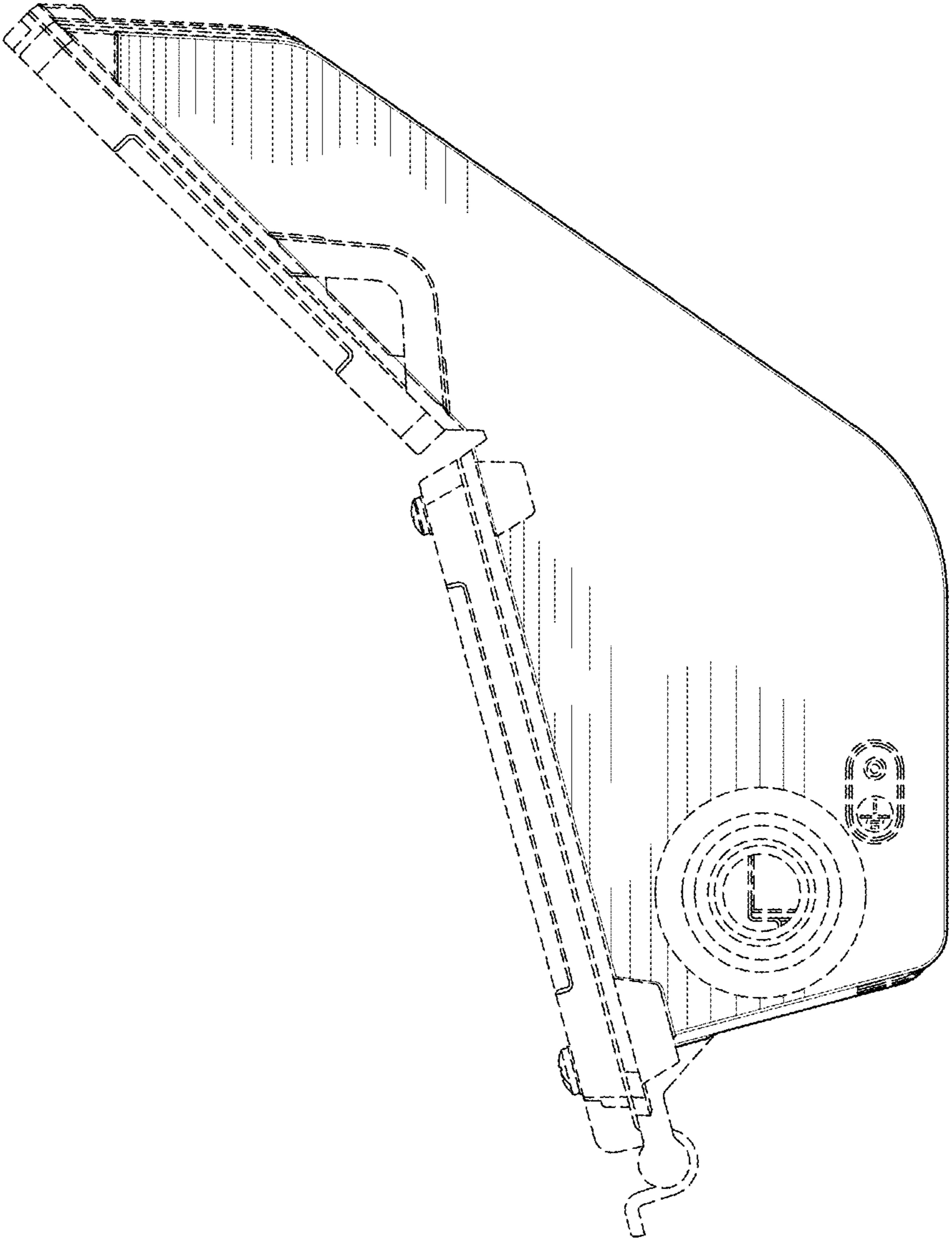


FIG. 5

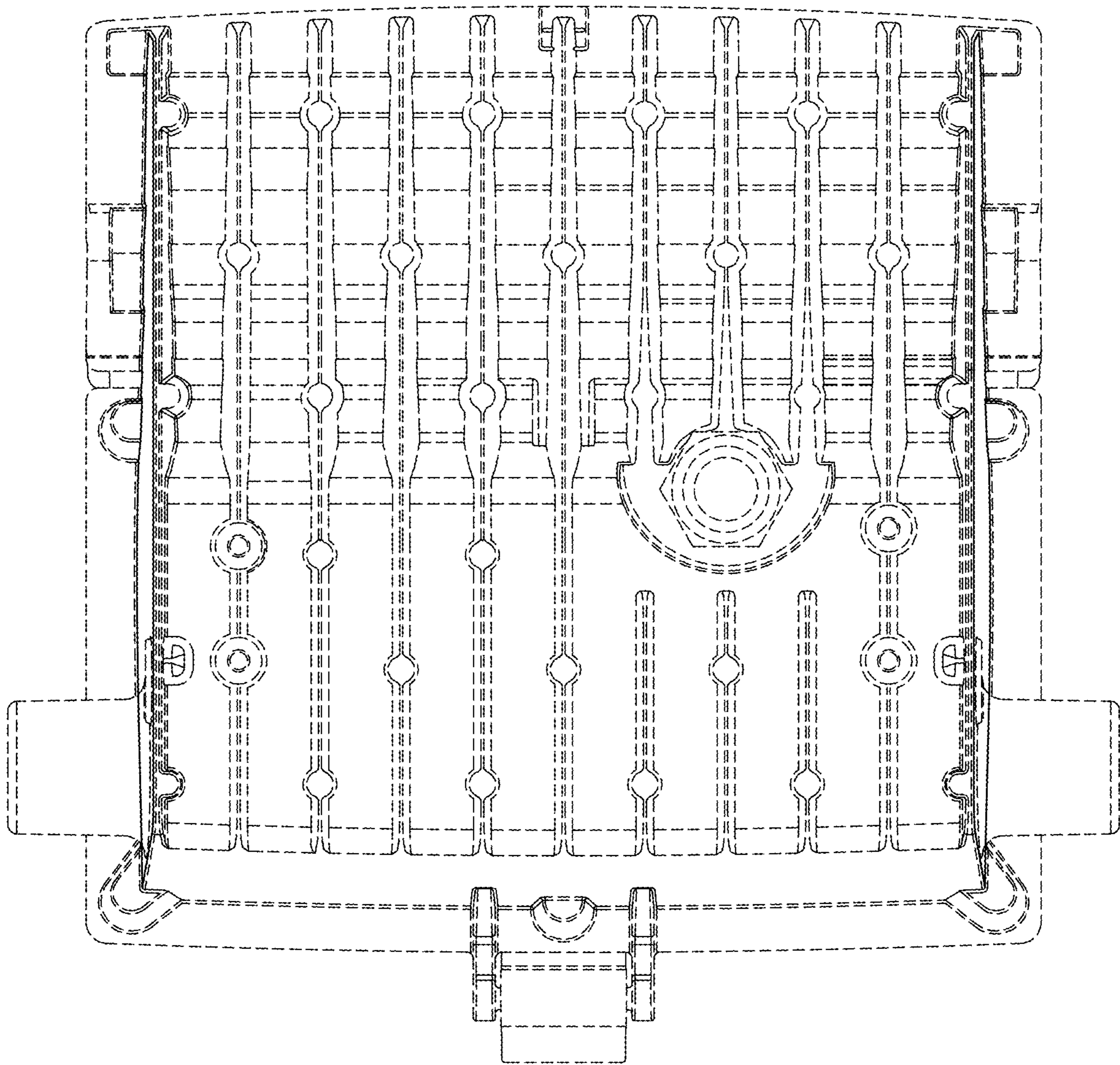


FIG. 6

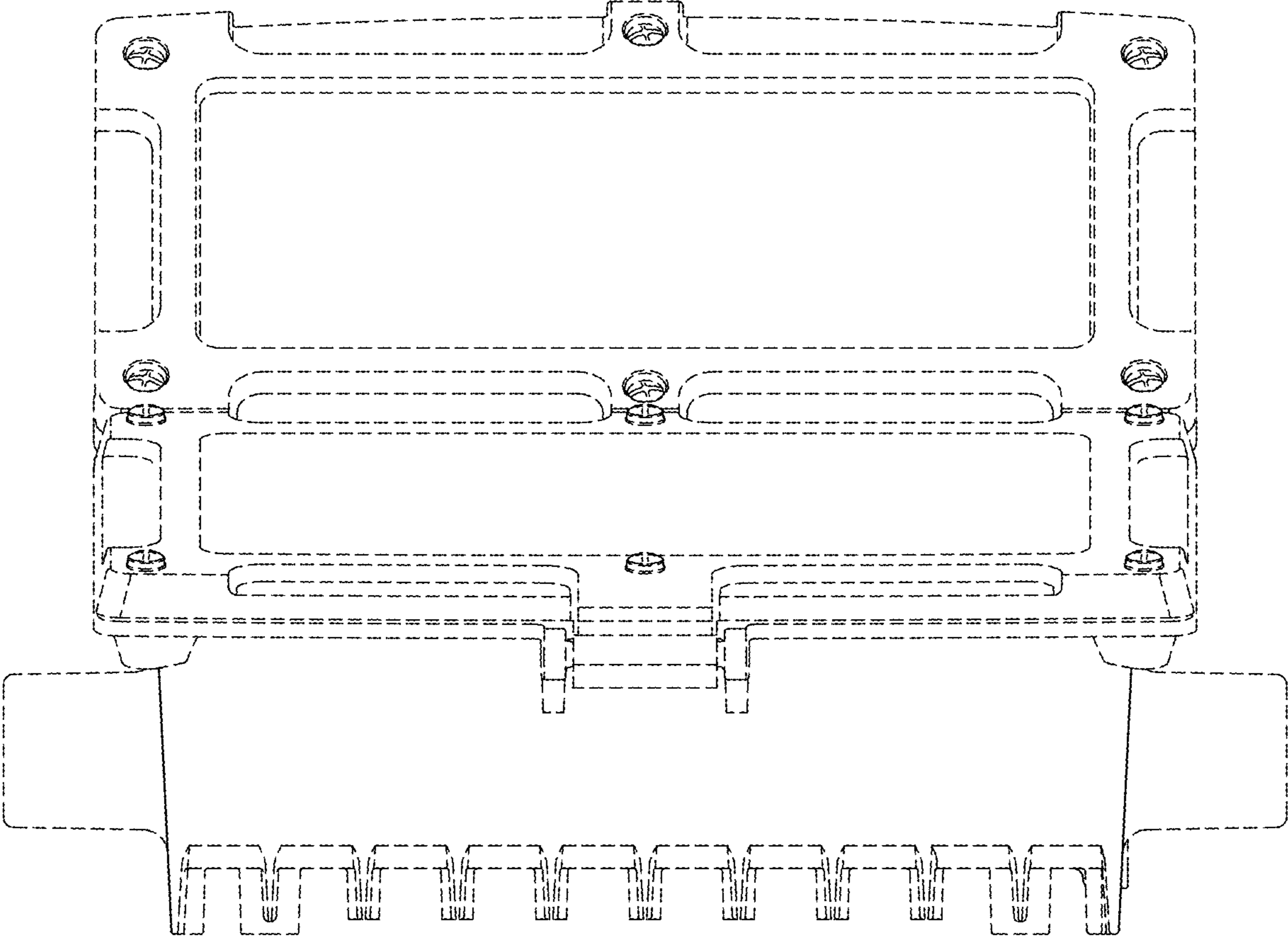


FIG. 7

