



US00D905322S

(12) **United States Design Patent**
Yu

(10) **Patent No.:** **US D905,322 S**

(45) **Date of Patent:** **** Dec. 15, 2020**

(54) **LAMP**

(71) Applicant: **NINGBO WELL ELECTRIC APPLIANCE CO., LTD.**, Ningbo (CN)

(72) Inventor: **Guolin Yu**, Ningbo (CN)

(73) Assignee: **NINGBO WELL ELECTRIC APPLIANCE CO., LTD.**, Ningbo (CN)

(**) Term: **15 Years**

(21) Appl. No.: **29/702,975**

(22) Filed: **Aug. 22, 2019**

(30) **Foreign Application Priority Data**

Aug. 16, 2019 (CN) 2019 3 0447099

(51) **LOC (12) Cl.** **26-99**

(52) **U.S. Cl.**
USPC **D26/113; D26/74**

(58) **Field of Classification Search**
USPC D26/72, 74, 75, 76, 77, 78, 85, 88, 89, D26/113, 118, 138, 141
CPC F21V 29/225; F21V 29/2225; F21V 29/2212; F21V 29/2256; F21V 29/2262; F21V 29/2268; F21V 7/06; F21V 21/044; F21V 21/047; F21S 8/02; F21S 8/026
See application file for complete search history.

(56) **References Cited**

U.S. PATENT DOCUMENTS

D436,679 S *	1/2001	Leen	D26/65
D776,325 S *	1/2017	Jeswani	D26/74
D777,966 S *	1/2017	Jeswani	D26/74
D777,967 S *	1/2017	Redfern	D26/74
D779,099 S *	2/2017	Beck	D26/74
D779,100 S *	2/2017	Redfern	D26/74
D779,700 S *	2/2017	Lee	D26/74
D786,472 S *	5/2017	Redfern	D26/74

* cited by examiner

Primary Examiner — Zenia I Bennett

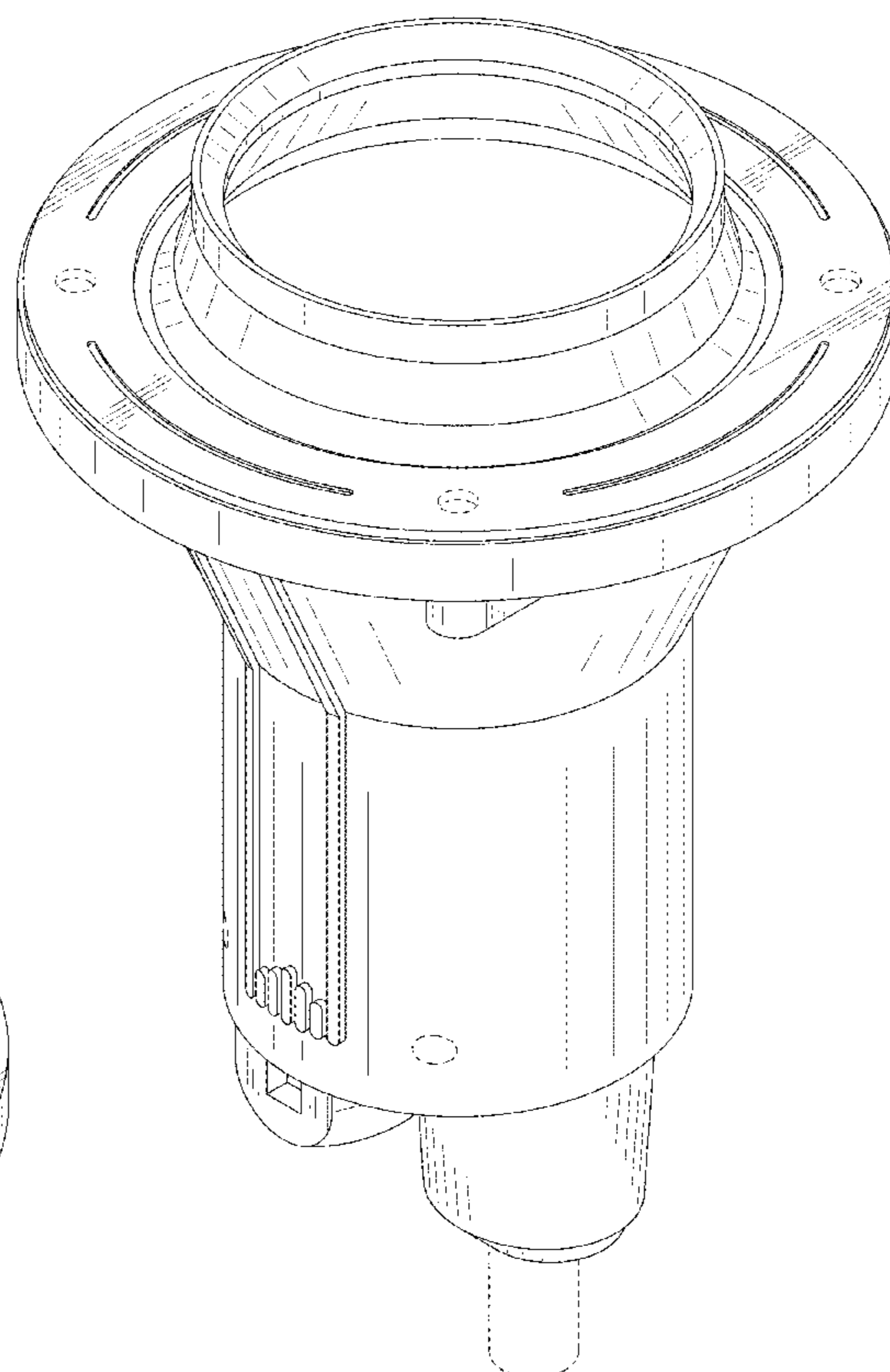
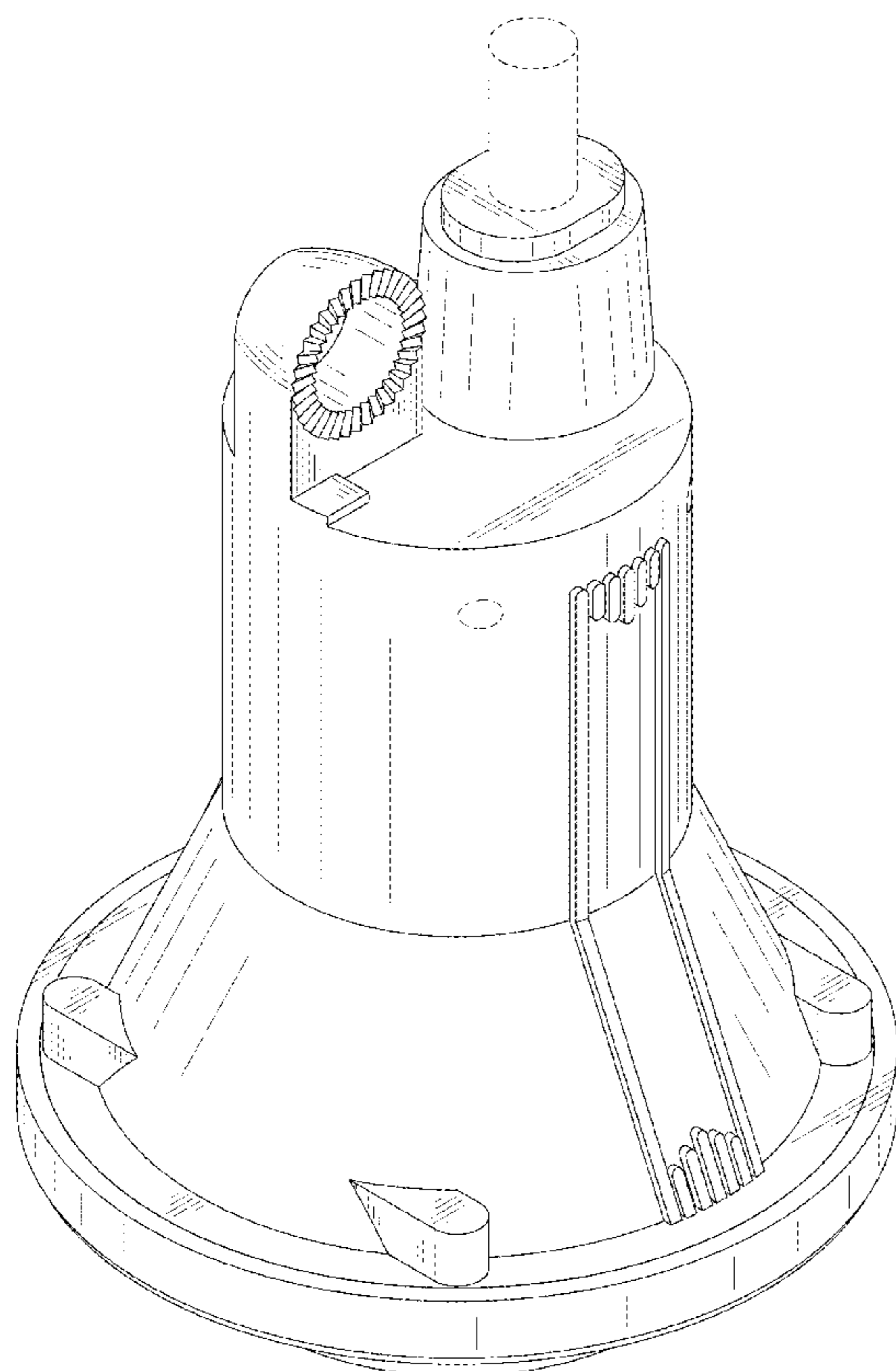
(57) **CLAIM**

The ornamental design for a lamp, as shown and described.

DESCRIPTION

FIG. 1 is a right, front, top perspective view of a lamp showing my new design;
FIG. 2 is a left, rear, bottom perspective view thereof;
FIG. 3 is a front elevational view thereof;
FIG. 4 is a rear elevational view thereof;
FIG. 5 is a left side elevational view thereof;
FIG. 6 is a right side elevational view thereof;
FIG. 7 is a top plan view thereof; and,
FIG. 8 is a bottom plan view thereof.
The broken lines in the drawings illustrate portions of the lamp that form no part of the claimed design.

1 Claim, 8 Drawing Sheets



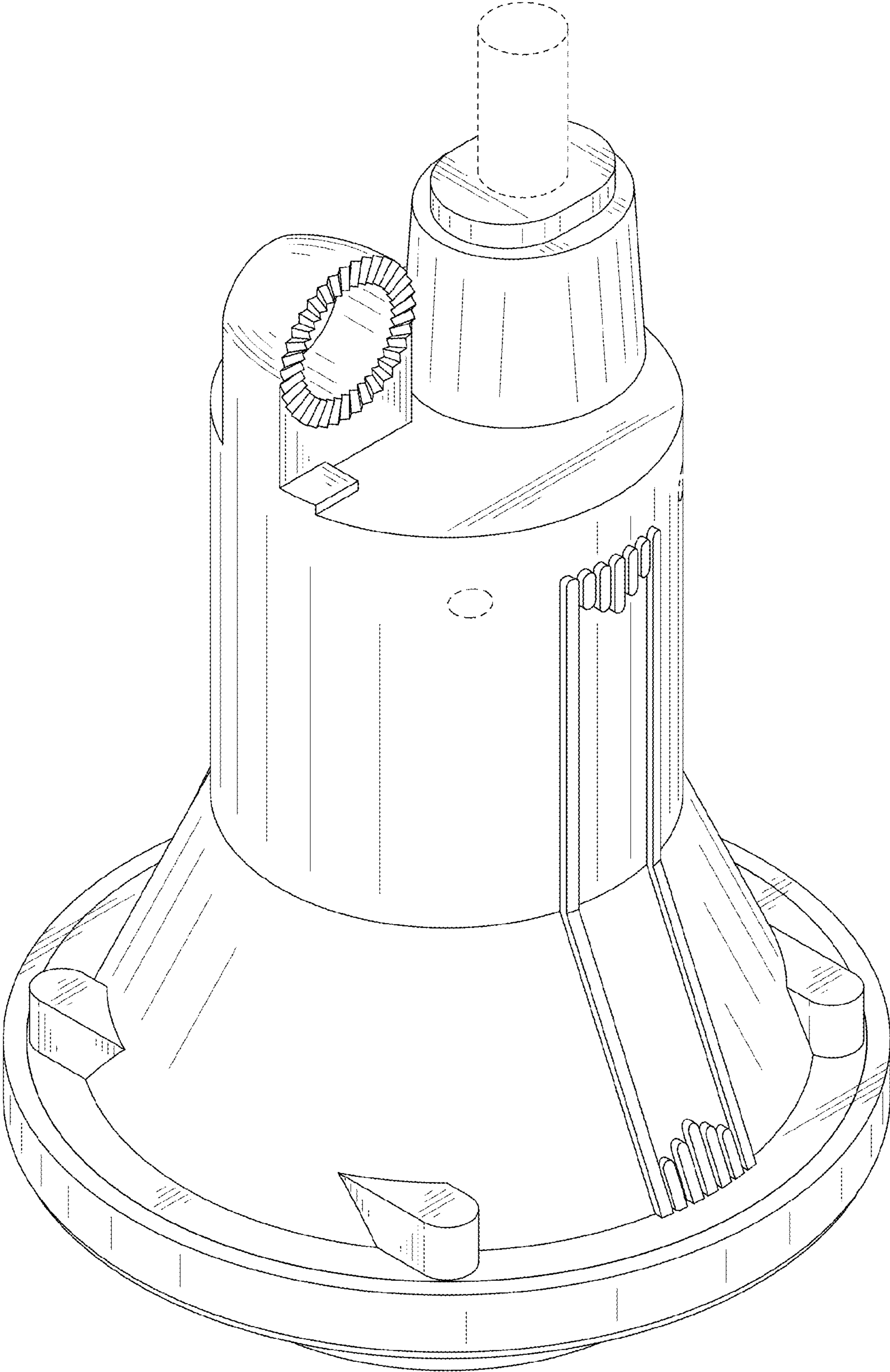


FIG. 1

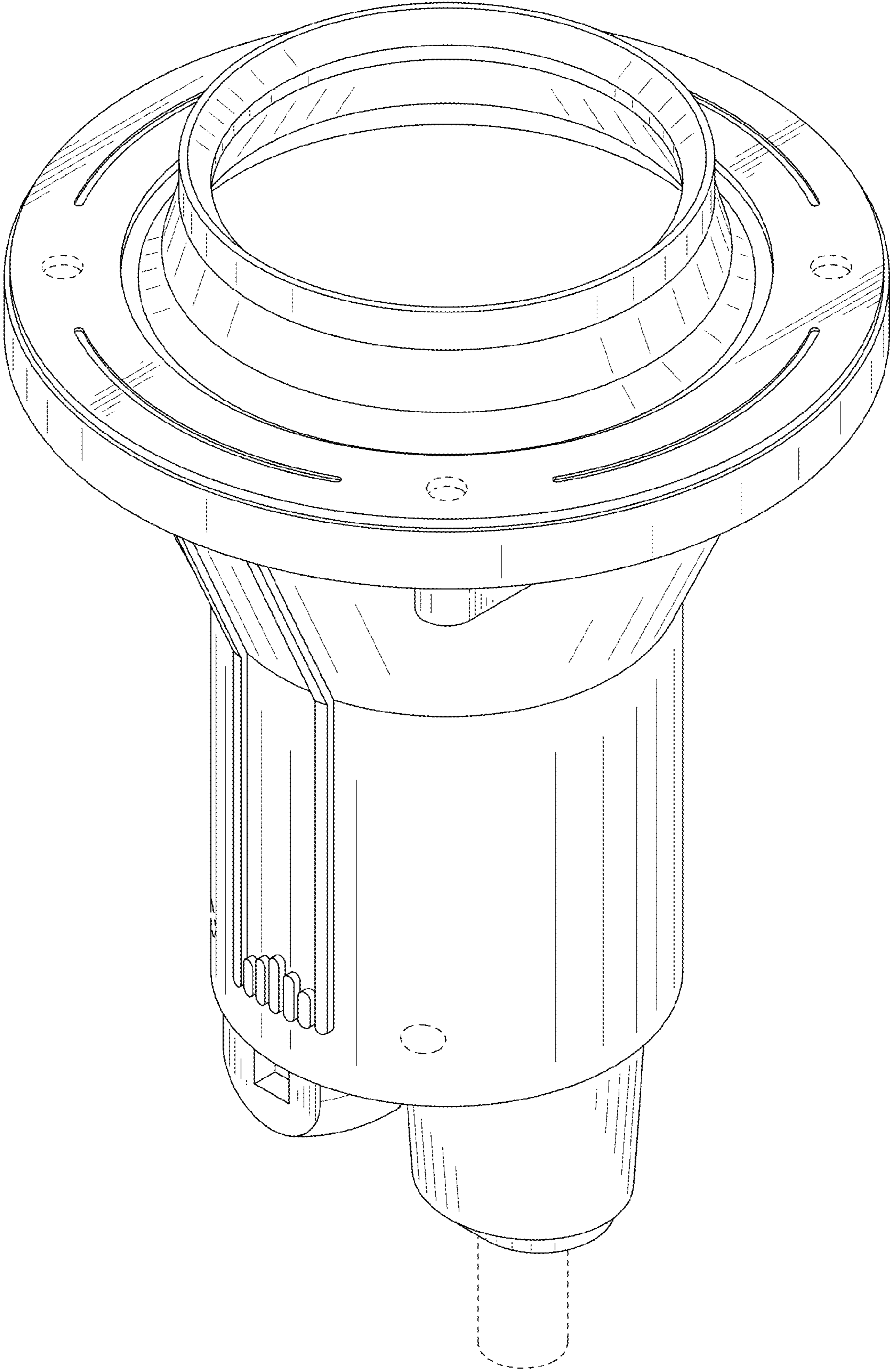


FIG. 2

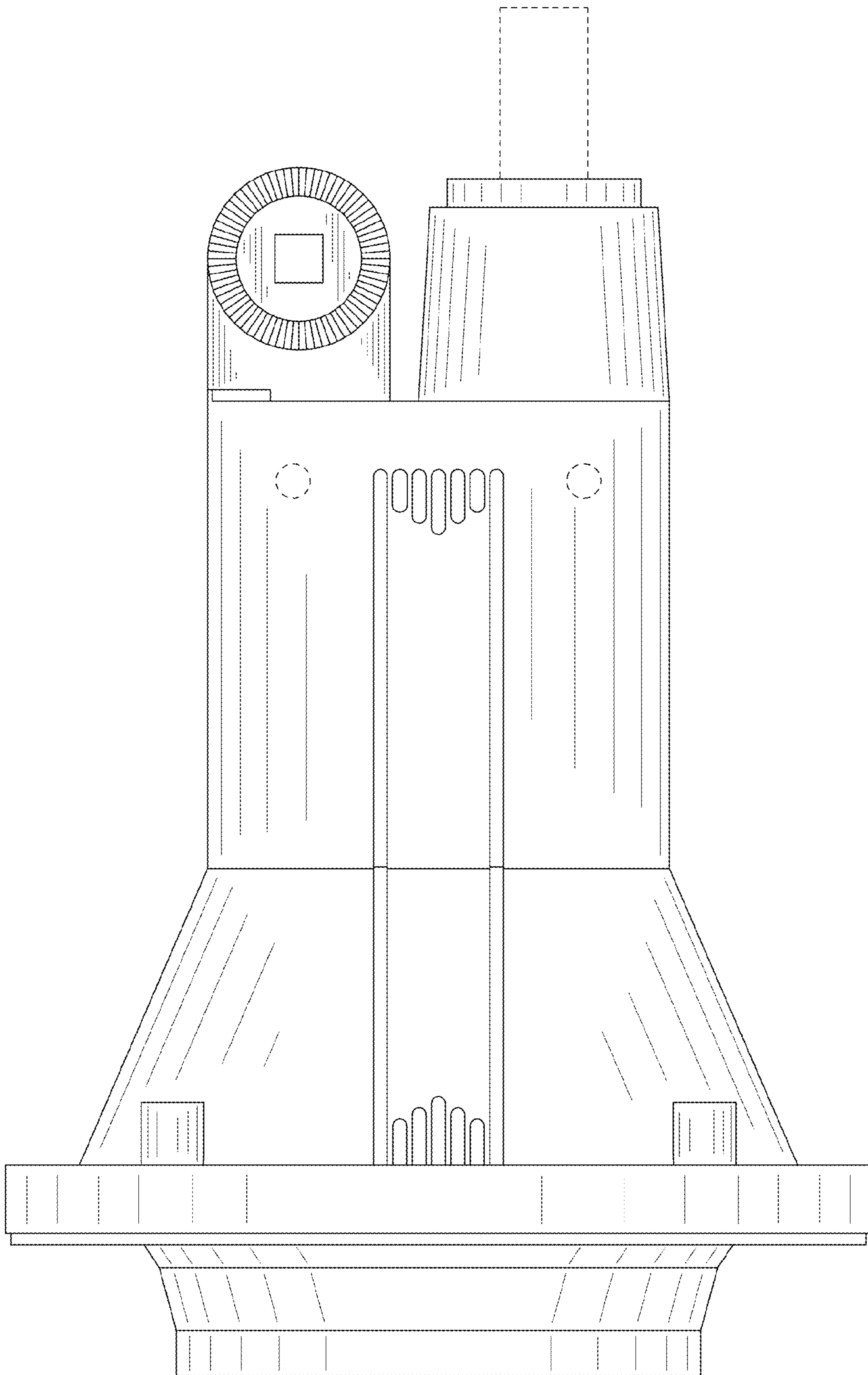


FIG. 3

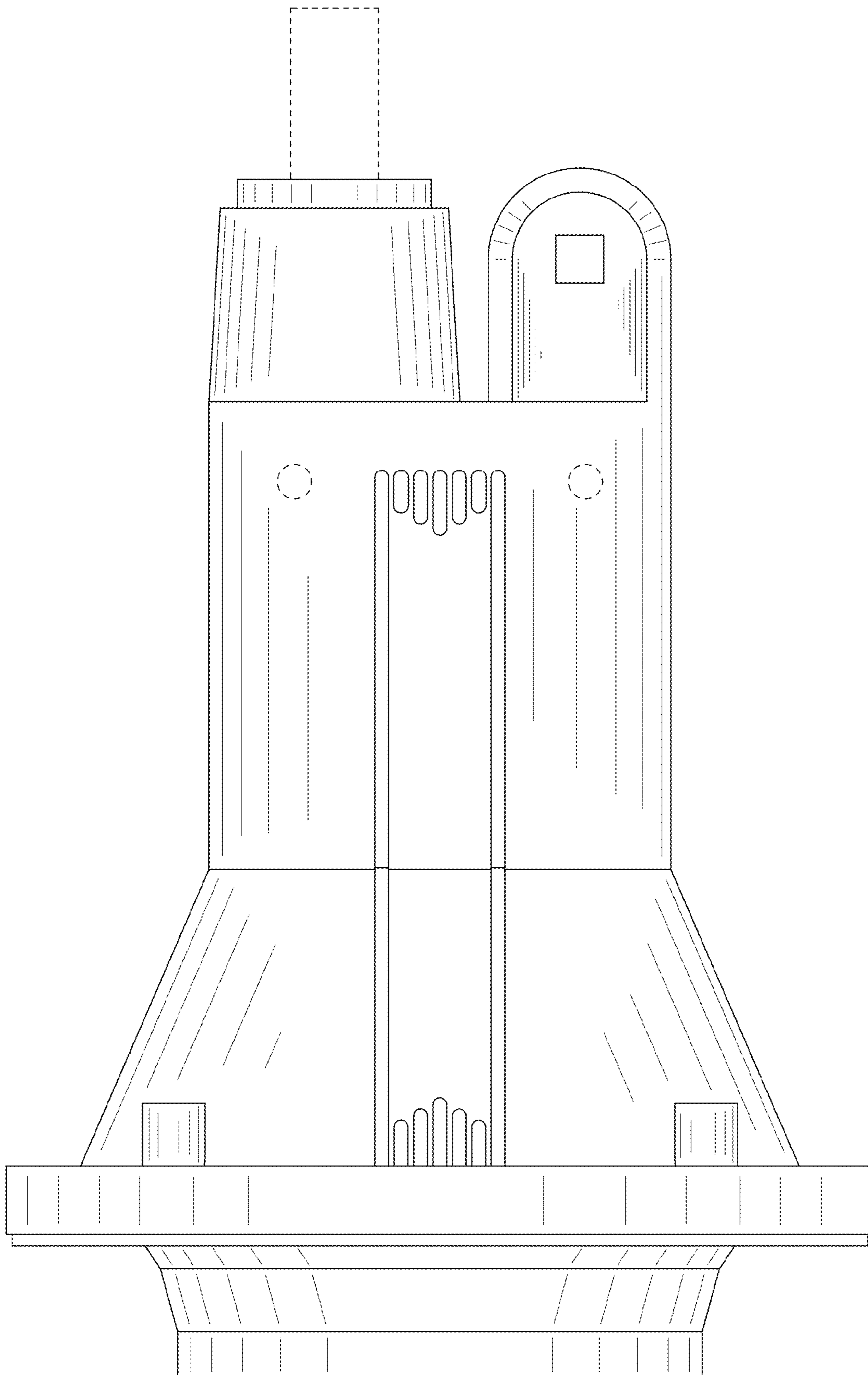


FIG. 4

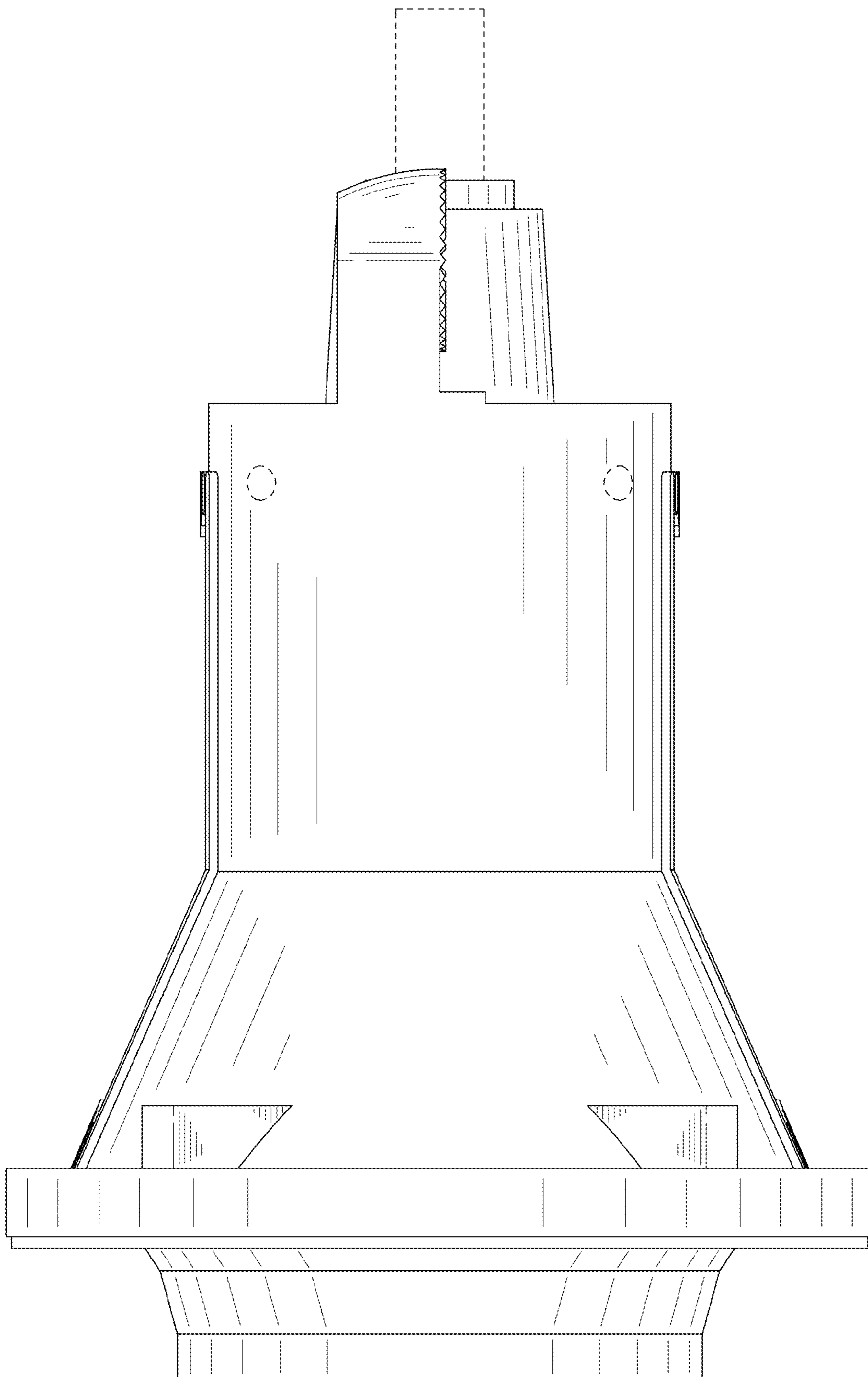


FIG. 5

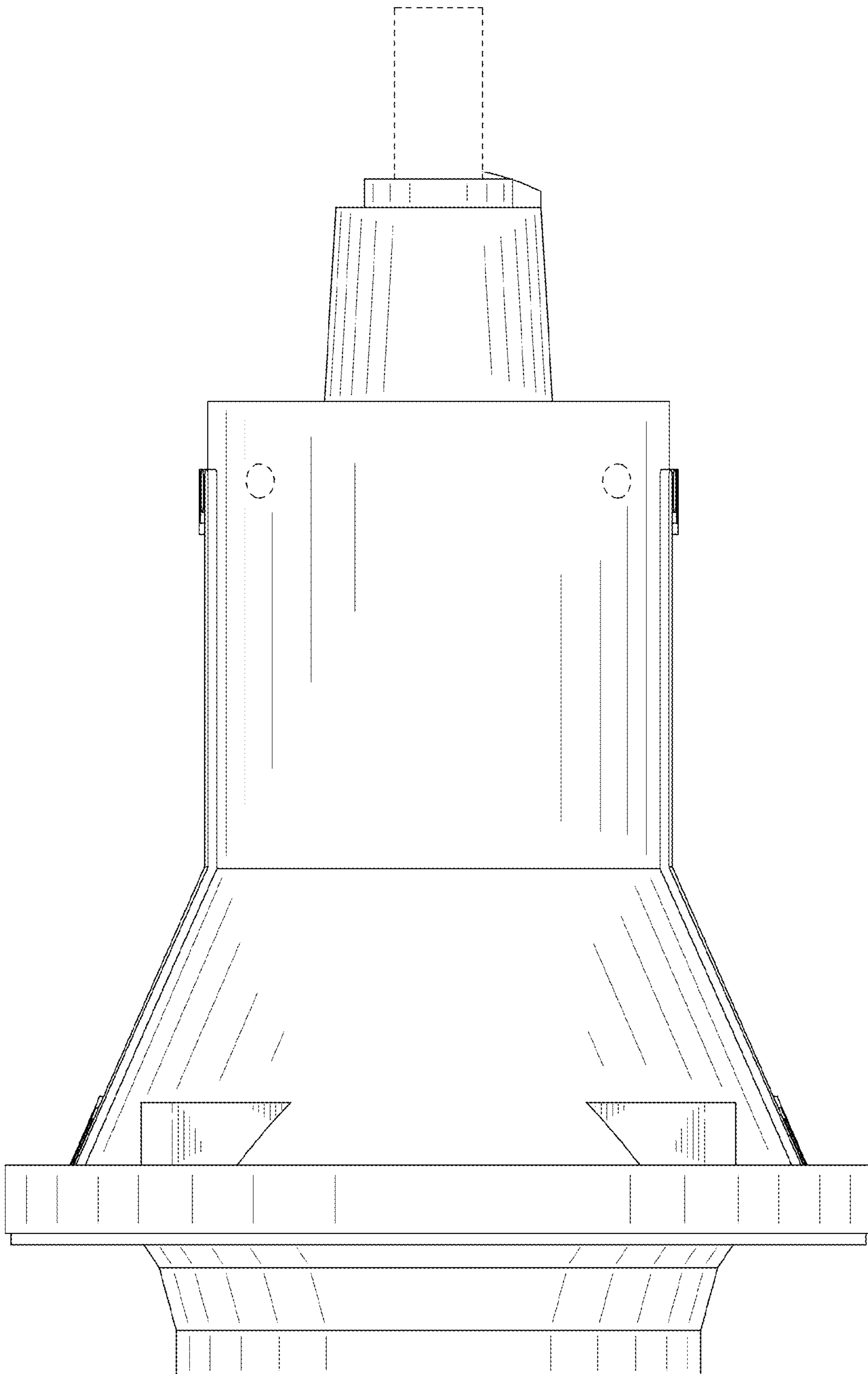


FIG. 6

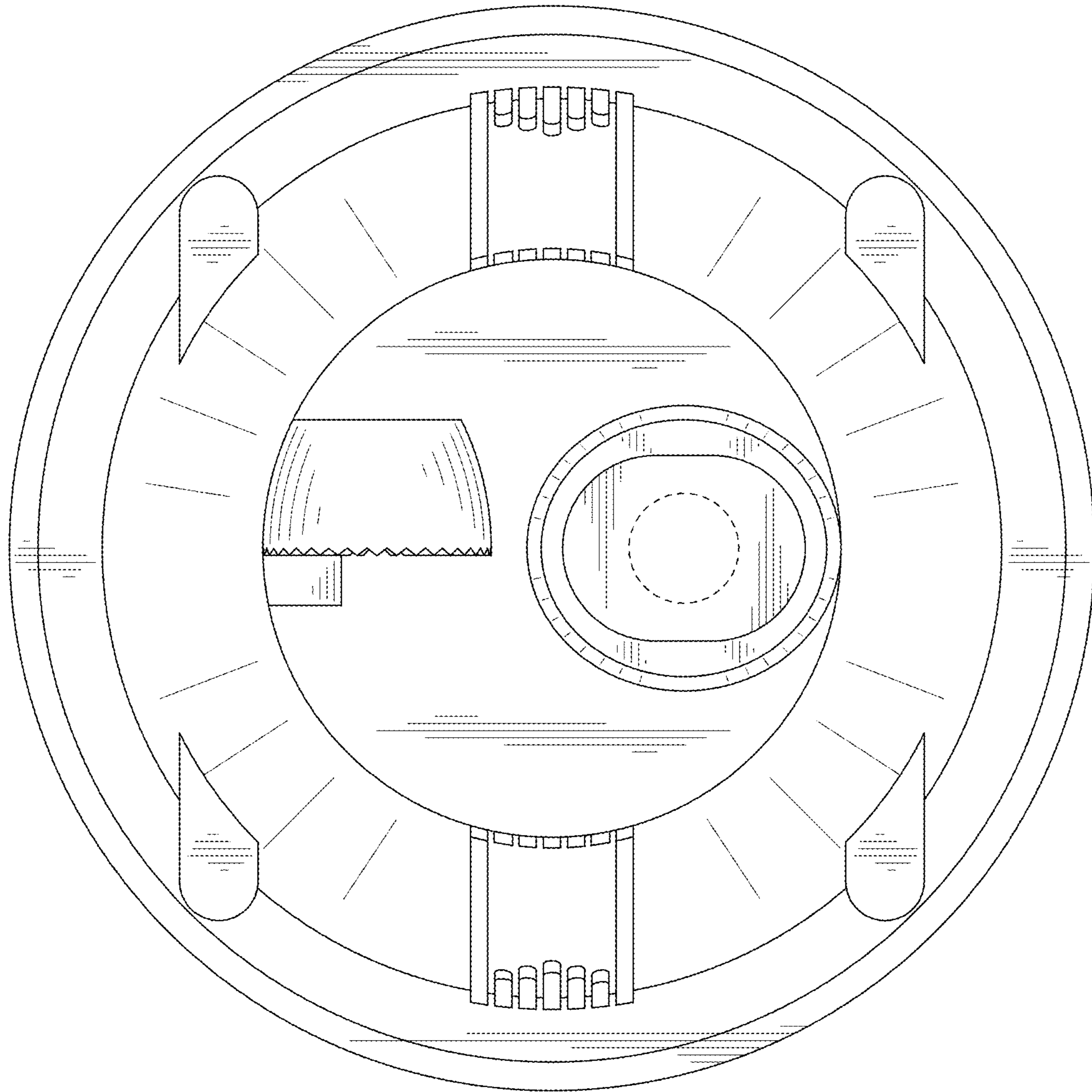


FIG. 7

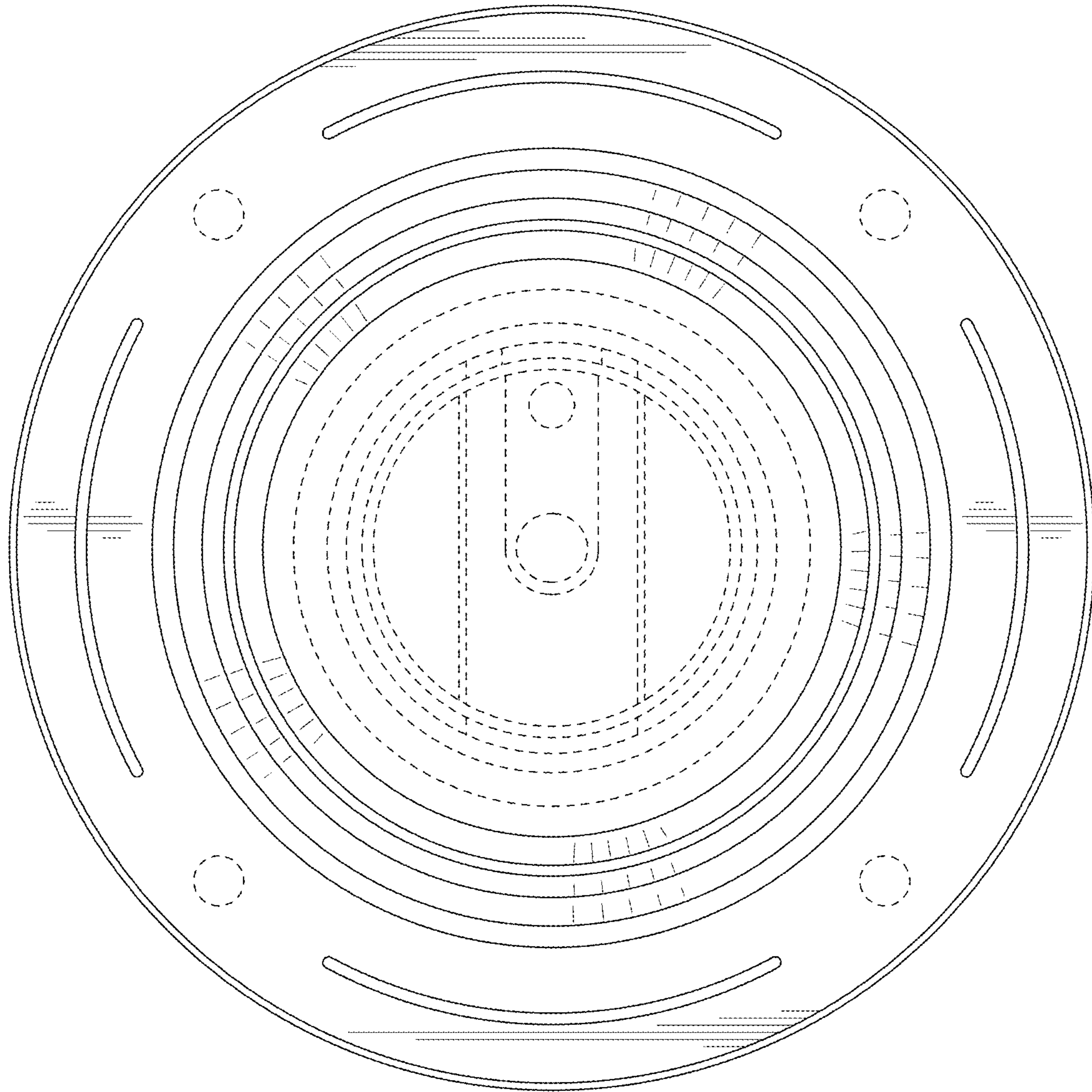


FIG. 8