



US00D905320S

(12) **United States Design Patent** (10) **Patent No.:** **US D905,320 S**
Richardson et al. (45) **Date of Patent:** **** Dec. 15, 2020**

(54) **DESK LIGHT ASSEMBLY**
(71) Applicant: **Gold Crest, LLC**, Santa Barbara, CA (US)
(72) Inventors: **Pat Richardson**, Santa Barbara, CA (US); **Chris Woodward**, London (GB)
(73) Assignee: **Gold Crest, LLC**, Santa Barbara, CA (US)
(**) Term: **15 Years**
(21) Appl. No.: **29/684,639**
(22) Filed: **Mar. 22, 2019**
(51) **LOC (12) Cl.** **26-03**
(52) **U.S. Cl.**
USPC **D26/108**
(58) **Field of Classification Search**
USPC D26/24, 93, 51, 63, 65, 108, 107, 106
CPC F21S 6/00; F21S 6/004; F21S 6/002; F21S 6/006; F21S 8/00; F21S 10/00; F21V 21/02; F21W 2131/30; F21Y 2105/00
See application file for complete search history.

D301,753 S 6/1989 Charet et al.
D304,768 S 11/1989 Dicola
D328,358 S 7/1992 Tsang
D328,361 S 7/1992 Paproski
D354,367 S 1/1995 Harrington
5,613,771 A 3/1997 Siverling
D385,646 S * 10/1997 Chan D26/107
(Continued)

OTHER PUBLICATIONS

Brayden Studio Quintero 1-Light Teardrop Pendant, SKU: BYST6507.
From wayfair.com visited May 8, 2019. (Year 2019).
(Continued)

Primary Examiner — Brian N. Vinson
(74) *Attorney, Agent, or Firm* — Tsircou Law, P.C.

(57) **CLAIM**

We claim the ornamental design for a desk light assembly, as shown and described.

DESCRIPTION

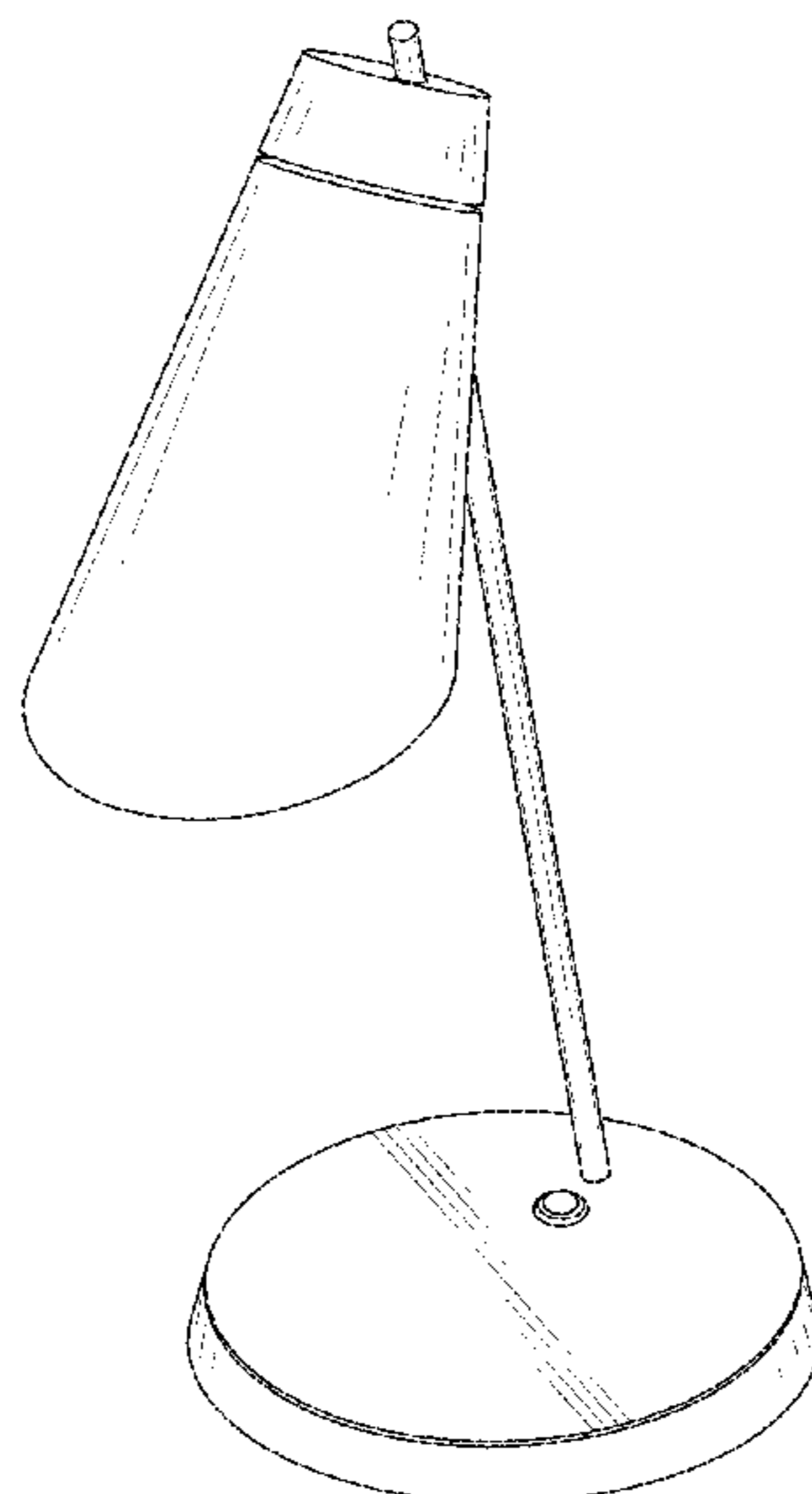
FIG. 1 a perspective view of a desk light assembly of the new design.
FIG. 2 is a front elevational view of the desk light assembly of FIG. 1.
FIG. 3 is a back elevational view of the desk light assembly of FIG. 1.
FIG. 4 is a first side view of the desk light assembly of FIG. 1.
FIG. 5 is a second side view of the desk light assembly of FIG. 1.
FIG. 6 is a top view of the desk light assembly of FIG. 1; and,
FIG. 7 is a bottom view of the desk light assembly of FIG. 1.
The dashed lines depict environmental aspects and form no part of the claimed design.

(56) **References Cited**

U.S. PATENT DOCUMENTS

D35,141 S 10/1901 Green
D38,155 S 8/1906 Bates
D38,448 S 2/1907 Noe, Jr.
D40,995 S 11/1910 Gardiner
D50,208 S 1/1917 Peck
D57,419 S 3/1921 Adam
D73,864 S 11/1927 Owen
D74,314 S 1/1928 Maerz
D77,096 S 12/1928 Jaffe et al.
D105,452 S 7/1937 Poling
D208,203 S 8/1967 Porter
D217,830 S * 6/1970 Heller D26/51
4,238,816 A 12/1980 Merlo
4,432,042 A 2/1984 Zeller
D283,056 S 3/1986 Ansems

1 Claim, 7 Drawing Sheets



(56)

References Cited

U.S. PATENT DOCUMENTS

D391,665 S * 3/1998 Yang D26/108
 D397,468 S 8/1998 Zeller
 5,822,546 A 10/1998 George
 D411,639 S 6/1999 Yang
 D418,240 S 12/1999 Sherman
 D425,651 S 5/2000 Gager et al.
 D427,703 S 7/2000 Chan
 D435,679 S 12/2000 Naghi et al.
 6,172,884 B1 1/2001 Lanni
 D446,337 S 8/2001 Benghozi
 D448,104 S 9/2001 Weitzman et al.
 6,361,184 B1 3/2002 Hallgrimsson et al.
 D456,923 S 5/2002 Konig
 6,386,724 B2 5/2002 Naghi
 6,465,987 B1 10/2002 Haas et al.
 D476,106 S 6/2003 Kim
 6,586,849 B2 7/2003 Tarr
 D480,827 S * 10/2003 Hsieh D26/108
 6,680,844 B2 1/2004 Kim
 6,711,006 B2 3/2004 Chen
 D490,553 S 5/2004 Waldmann
 6,749,314 B2 6/2004 Naghi et al.
 6,773,192 B1 8/2004 Chao
 6,808,289 B2 10/2004 Reed
 D498,322 S 11/2004 Schnell
 6,851,819 B2 2/2005 Naghi et al.
 D506,279 S 6/2005 Sirichai et al.
 6,921,284 B2 7/2005 Sirichai et al.
 7,004,596 B2 2/2006 Merrem
 D522,677 S 6/2006 Ming
 D526,340 S 8/2006 Hodgson
 D529,651 S 10/2006 Chan
 D534,300 S 12/2006 Eikelenboom
 D556,363 S 11/2007 Komar et al.
 D562,485 S 2/2008 Brown
 D567,431 S 4/2008 Garner et al.
 D570,514 S * 6/2008 Lai D26/65
 D574,990 S 8/2008 Tsai
 D589,645 S 3/2009 Citterio
 7,541,692 B2 6/2009 Hirst et al.
 D600,386 S * 9/2009 Huang D26/63
 D607,141 S * 12/2009 Huang D26/107
 D608,925 S 1/2010 Hodgson
 7,649,279 B2 1/2010 Lanni
 D618,378 S 6/2010 Huang
 7,727,031 B2 6/2010 Lord
 D629,132 S 12/2010 Huang
 D636,513 S 4/2011 Furtsch
 D639,490 S 6/2011 Huang
 D641,902 S 7/2011 Chan
 D649,674 S 11/2011 Sabernig
 D669,627 S 10/2012 Huang
 D673,321 S 12/2012 Karkkainen
 D681,865 S 5/2013 Lee
 D688,289 S 8/2013 Hodgson

D698,962 S 2/2014 Waldmann
 D700,391 S 2/2014 Sabernig
 D703,864 S 4/2014 Blum et al.
 D709,637 S 7/2014 Terzani
 D725,306 S 3/2015 Salvagno et al.
 D742,573 S * 11/2015 Kern D26/107
 D744,153 S 11/2015 Hodgson
 D744,693 S * 12/2015 Kitts D26/107
 D754,382 S 4/2016 Oord
 D754,909 S 4/2016 Hansen
 D759,290 S 6/2016 Hsu
 D768,077 S 10/2016 Wahl
 D768,908 S 10/2016 Fisher et al.
 D769,512 S 10/2016 Edgar et al.
 D776,336 S 1/2017 Ng et al.
 D788,961 S 6/2017 Edgar et al.
 D788,962 S 6/2017 Edgar et al.
 D788,974 S 6/2017 Edgar et al.
 D790,751 S 6/2017 Kaiser
 D802,201 S 11/2017 Xu
 D802,202 S * 11/2017 Zahn D26/108
 D810,986 S 2/2018 Shilong
 D818,180 S 5/2018 Gambrel et al.
 D820,502 S 6/2018 Hoffmann et al.
 D835,316 S 12/2018 Edgar et al.
 D835,317 S 12/2018 Edgar et al.
 D835,329 S 12/2018 Edgar et al.
 D835,330 S 12/2018 Edgar et al.
 D835,331 S 12/2018 Edgar et al.
 2001/0043468 A1 11/2001 Krietzman et al.
 2001/0048409 A1 12/2001 Kim
 2002/0186563 A1 12/2002 Krietzman et al.
 2003/0223228 A1 12/2003 Krietzman
 2004/0017677 A1 1/2004 Krietzman
 2004/0042735 A1 3/2004 Ma
 2004/0090795 A1 5/2004 Kim
 2005/0083677 A1 4/2005 Krietzman
 2006/0109620 A1 5/2006 Kim
 2017/0067625 A1 3/2017 Edgar et al.

OTHER PUBLICATIONS

Lantern Pendant from lyngard.com. © Lyngard 2018. (Year: 2018).
 One Light Pendant SKU: 438778 from shop.elementsathome.com visited May 8, 2019. (Year: 2019).
 Room Pendant Lights/Luxury Glass Wine Bottles Shape Hanging Lamps/from dhgate.com visited May 8, 2019 (Year: 2019).
 85-265v Tom Dixon Pendant Lamp, at dhgate.com as early as Oct. 1, 2018. (Year: 2018).
 Josep Patsi, Sixties 00-3689-CI-CI, LEDS C4, Apr. 8, 2014, 3 pages, (source: sparksdirect.co.uk).
 Josep Patsi, Sixties 00-3806-CI-CI, LEDS C4, Mar. 3, 2014, 4 pages, (source: sparksdirect.co.uk).
 Lucidi E Pevere From Foscarini, Aplomb Mini Pendant Light, visited Sep. 5, 2018 (Year: 2018), 2 pages, (source: yliving.com).

* cited by examiner

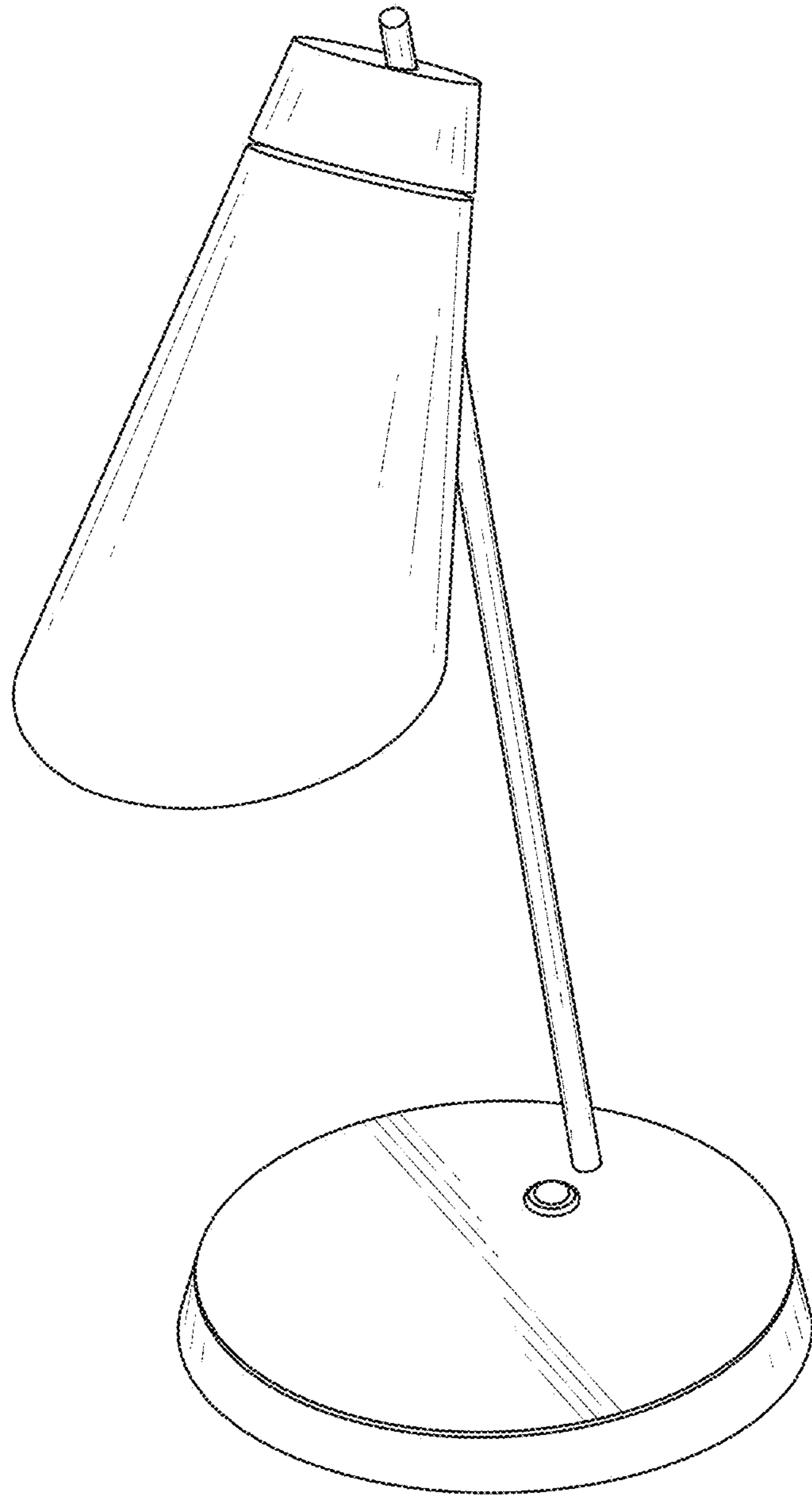


FIG. 1

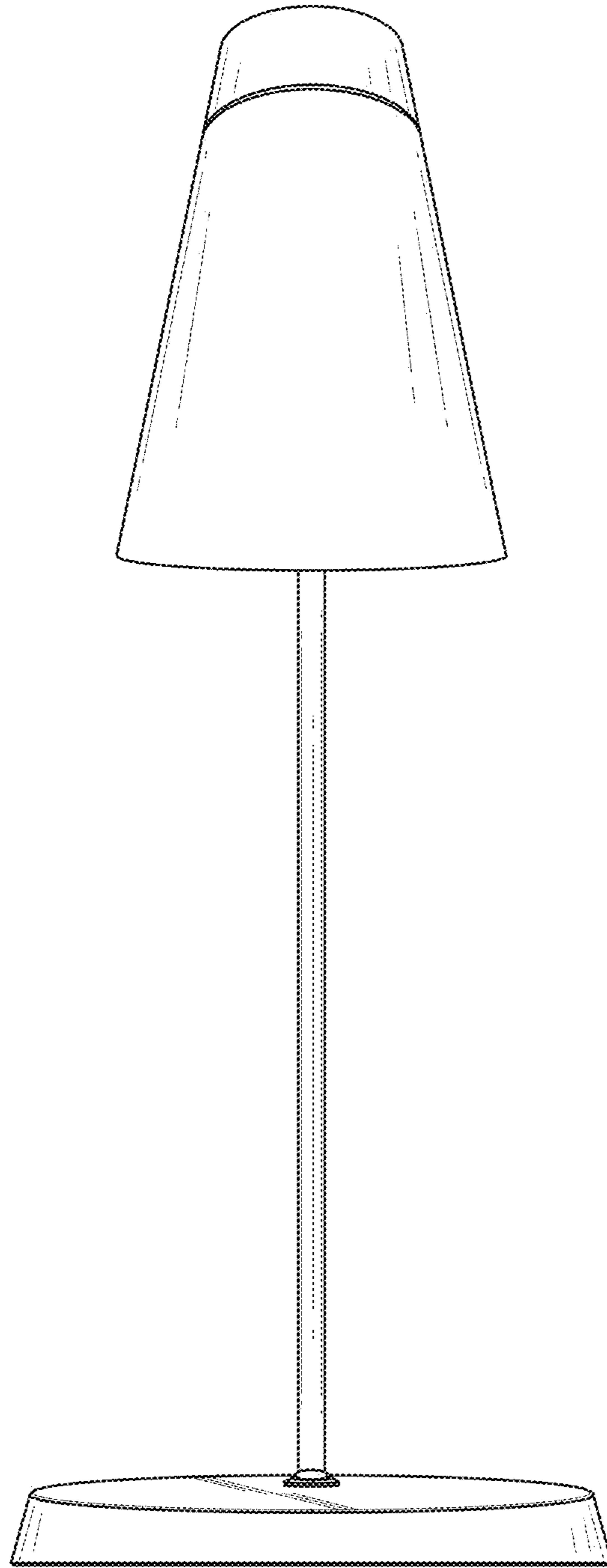


FIG. 2

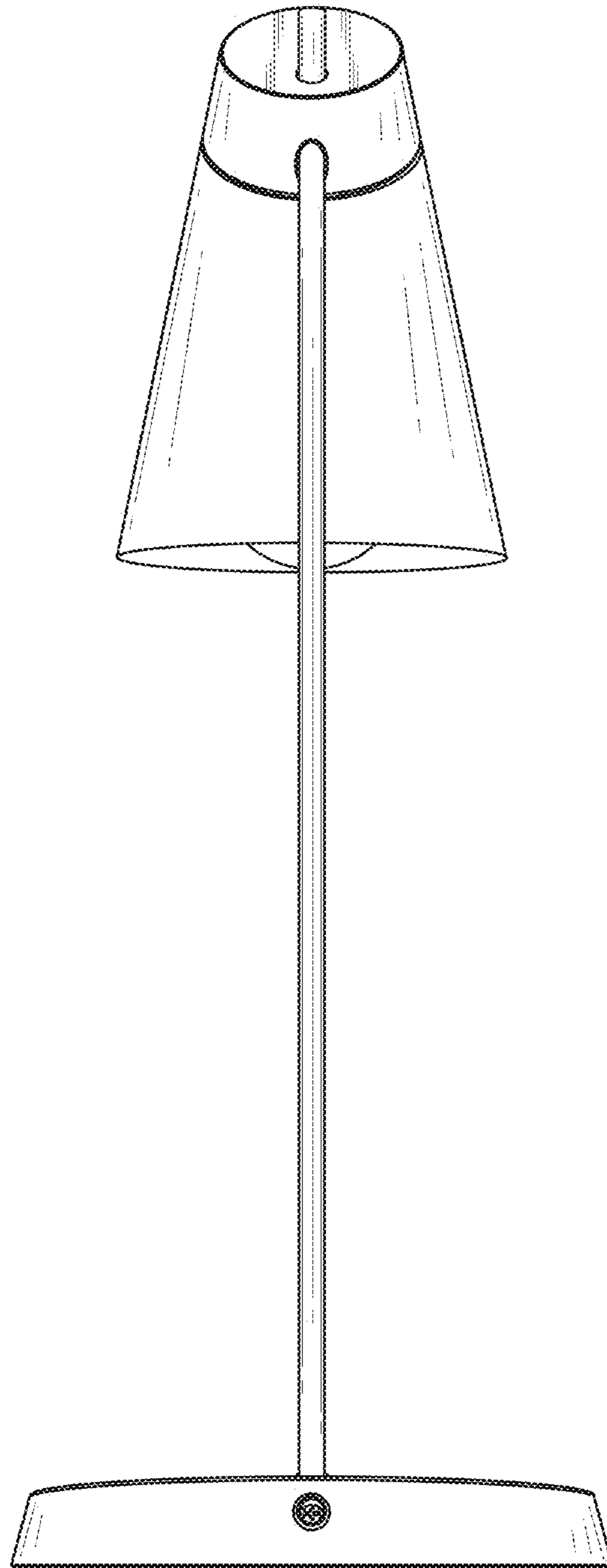


FIG. 3

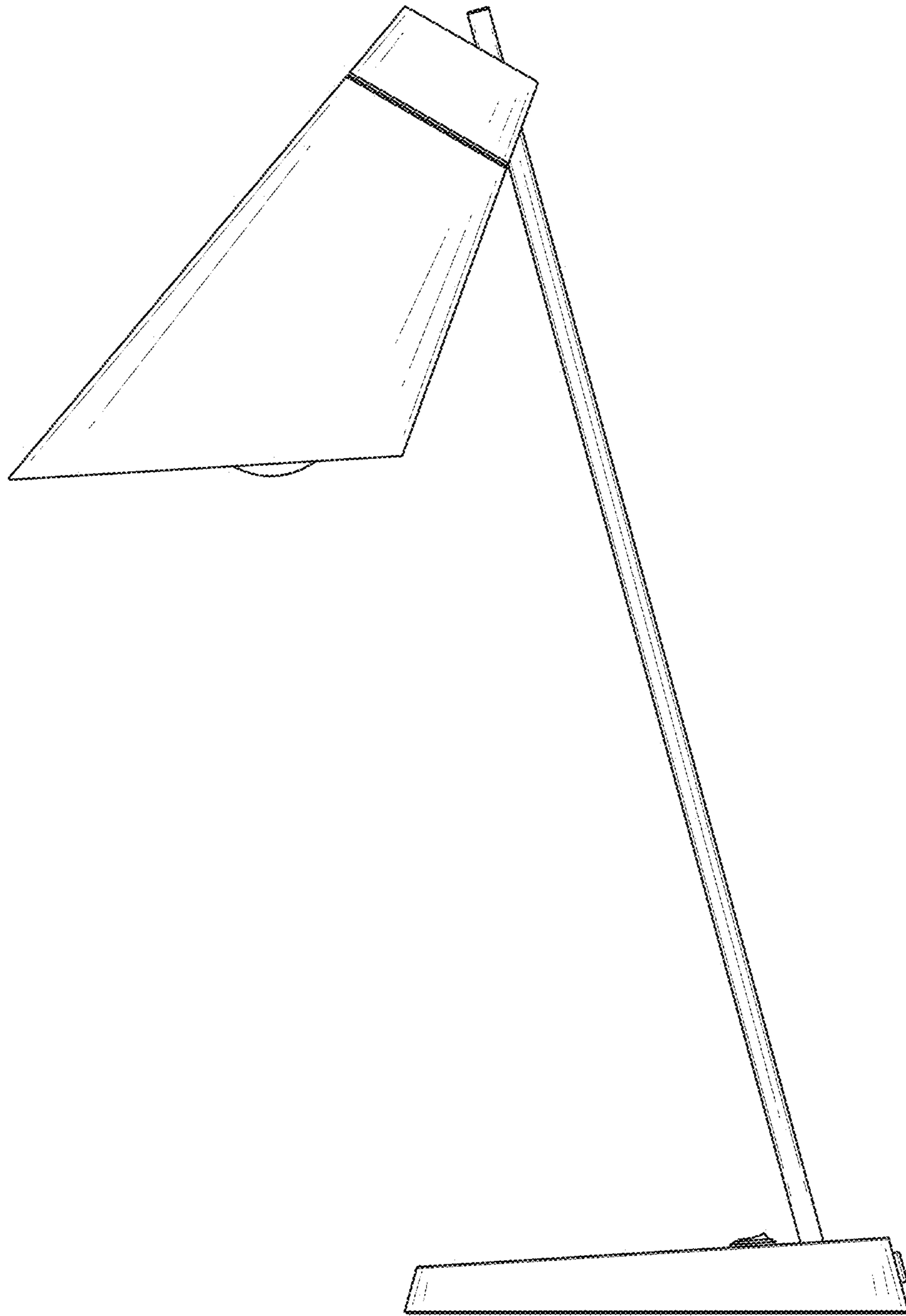


FIG. 4

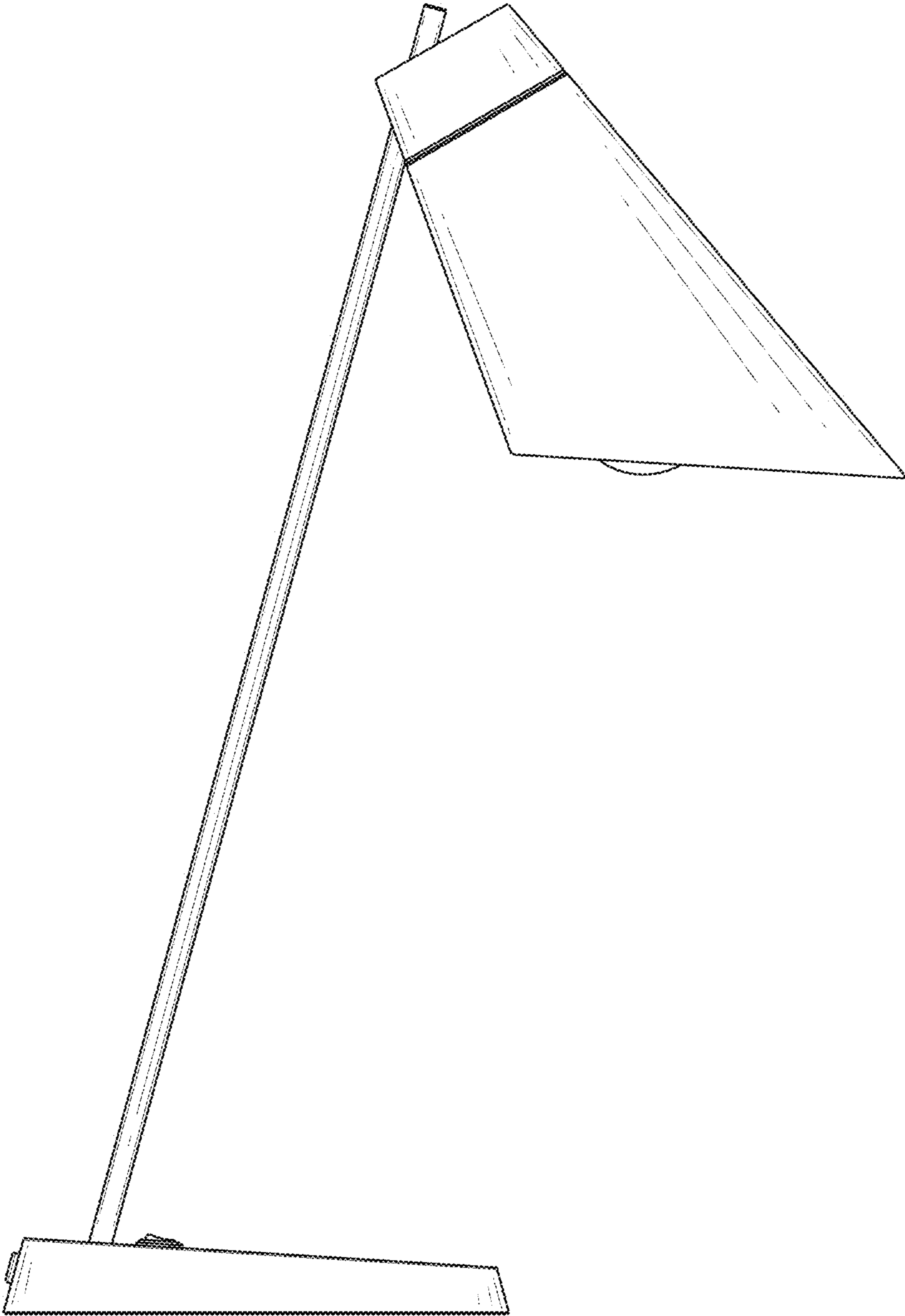


FIG. 5

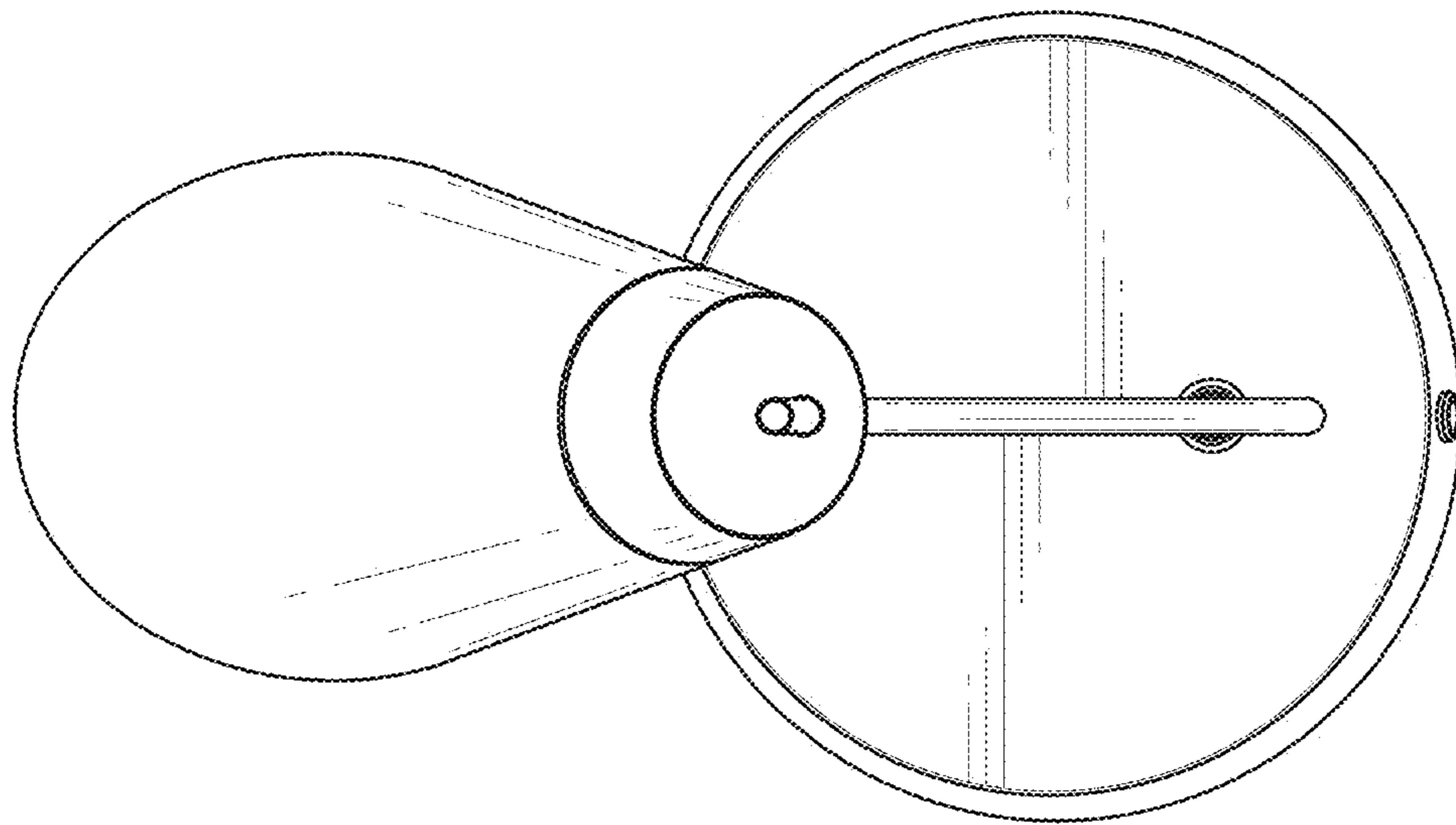


FIG. 6

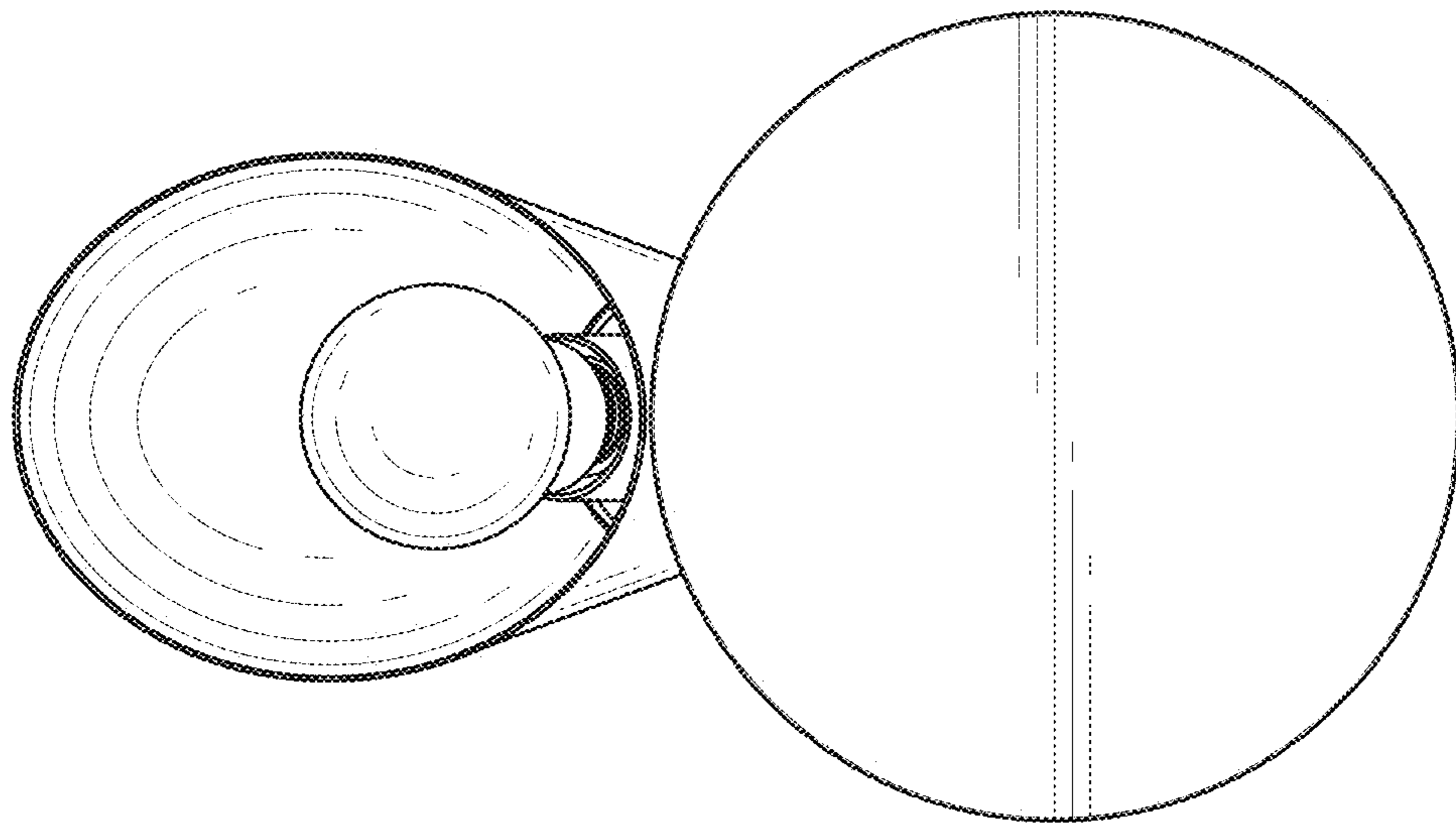


FIG. 7