



US00D905318S

(12) **United States Design Patent** (10) **Patent No.:** **US D905,318 S**
Cui (45) **Date of Patent:** **** Dec. 15, 2020**

(54) **LAMP**
(71) Applicant: **Hefei Xingsirui Electronic Commerce Co., Ltd.**, Hefei (CN)
(72) Inventor: **Lili Cui**, Hefei (CN)
(**) Term: **15 Years**
(21) Appl. No.: **29/739,265**
(22) Filed: **Jun. 24, 2020**
(51) **LOC (12) Cl.** **26-05**
(52) **U.S. Cl.**
USPC **D26/106**
(58) **Field of Classification Search**
USPC D26/24, 26, 36, 93, 94, 104, 106, 110,
D26/123, 124, 137; 362/362, 641;
D11/7, 11, 22; D10/104.1; D21/308,
D21/316, 319, 386, 708, 713, 782
CPC F21V 21/00; F21V 21/14; F21V 21/30;
F21V 23/04; F21V 15/01; F21V 7/00;
F21V 7/04; F21V 7/043; F21V 7/045;
F21V 7/046; F21V 37/0095; F21S 9/00;
F21S 9/022; F21S 10/00; F21S 10/06;
F21S 10/007
See application file for complete search history.

(56) **References Cited**
U.S. PATENT DOCUMENTS
D224,233 S * 7/1972 Suidobashi D14/371
3,808,081 A * 4/1974 Okuhara B44F 11/00
362/142
D253,495 S * 11/1979 Bodine D26/36
6,276,813 B1 * 8/2001 Victor F21S 8/035
362/233
D468,044 S * 12/2002 Lam D26/104
D468,477 S * 1/2003 Landefeld D26/104

D496,126 S * 9/2004 Huang D26/104
D530,846 S * 10/2006 Izardel D26/94
D605,337 S * 12/2009 Zhang D26/93
D607,600 S 1/2010 Keith
D634,053 S 3/2011 Guercio
D646,836 S * 10/2011 Wauters D26/93
D732,229 S * 6/2015 Anastassiades D26/93
D732,723 S * 6/2015 Anastassiades D26/93
D734,527 S * 7/2015 Anastassiades D26/93
D752,802 S * 3/2016 Johnson D26/94
D762,913 S * 8/2016 Anderson D26/106
D836,821 S * 12/2018 Ossino D26/106
D849,314 S 5/2019 Pan
10,420,954 B2 * 9/2019 Iwahashi F21V 7/0008
D893,060 S * 8/2020 Israni D26/24
2018/0359831 A1 * 12/2018 Morr H05B 45/00

* cited by examiner

Primary Examiner — Wan Laymon
Assistant Examiner — Clint A Samuel

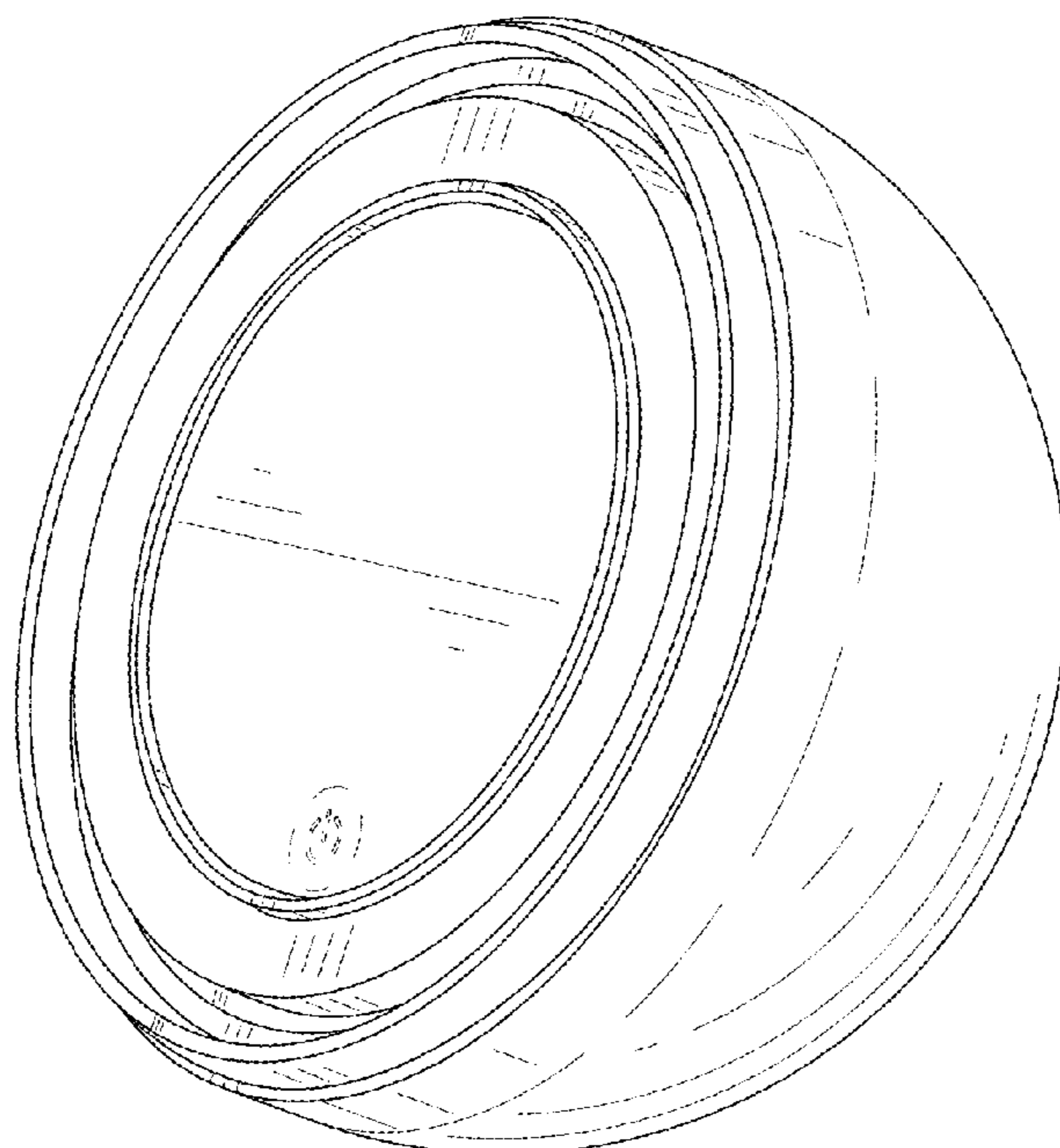
(57) **CLAIM**

The ornamental design for a lamp, as shown and described.

DESCRIPTION

FIG. 1 is a first perspective view of a lamp showing my new design;
FIG. 2 is a second perspective view thereof;
FIG. 3 is a front view thereof;
FIG. 4 is a back view thereof;
FIG. 5 is a left side view thereof;
FIG. 6 is a right side view thereof;
FIG. 7 is a top view thereof; and,
FIG. 8 is a bottom view thereof.
The broken lines shown in the drawings depict portions of the lamp in which the design is embodied that form no part of the claimed design.

1 Claim, 8 Drawing Sheets



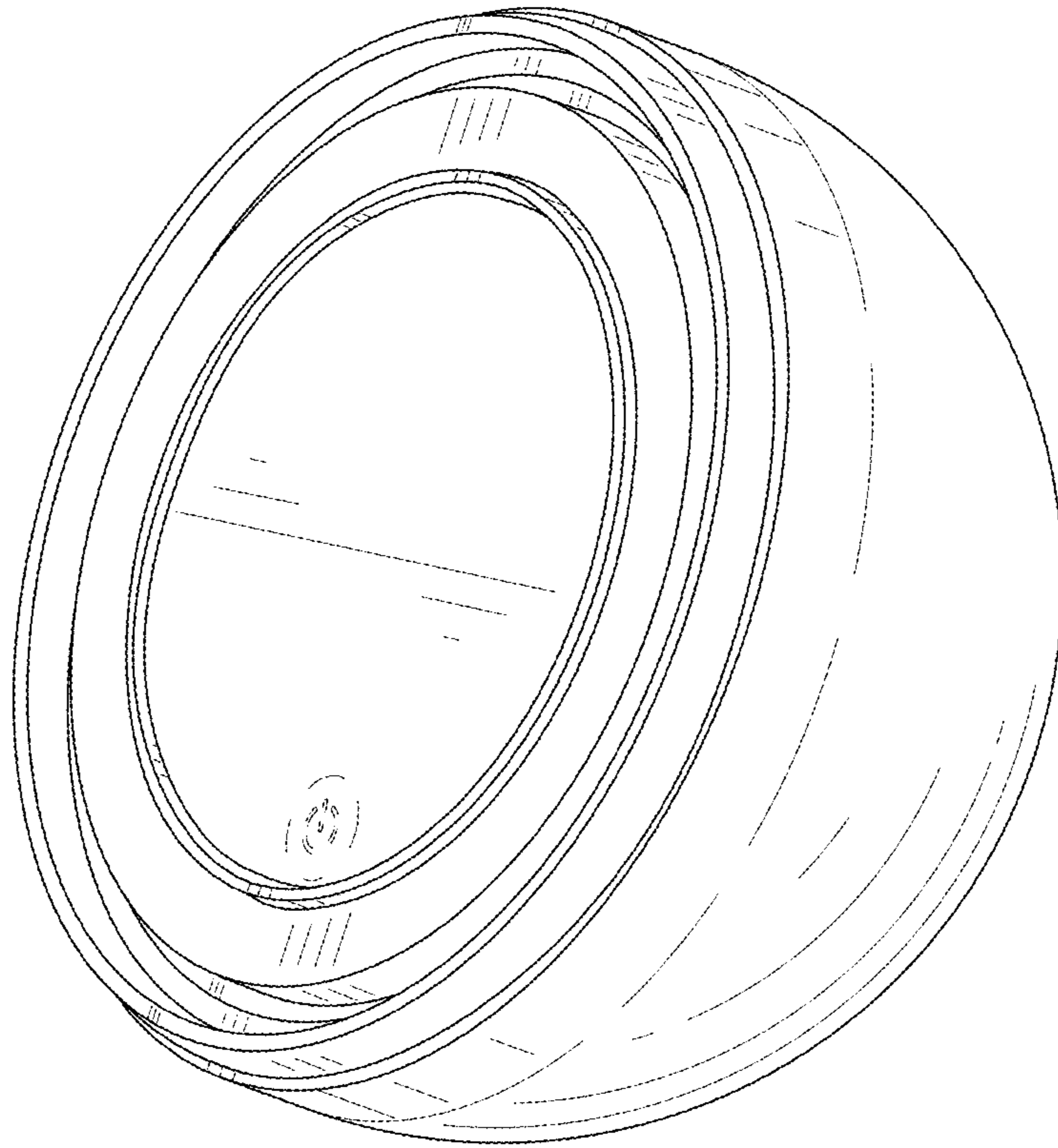


FIG. 1

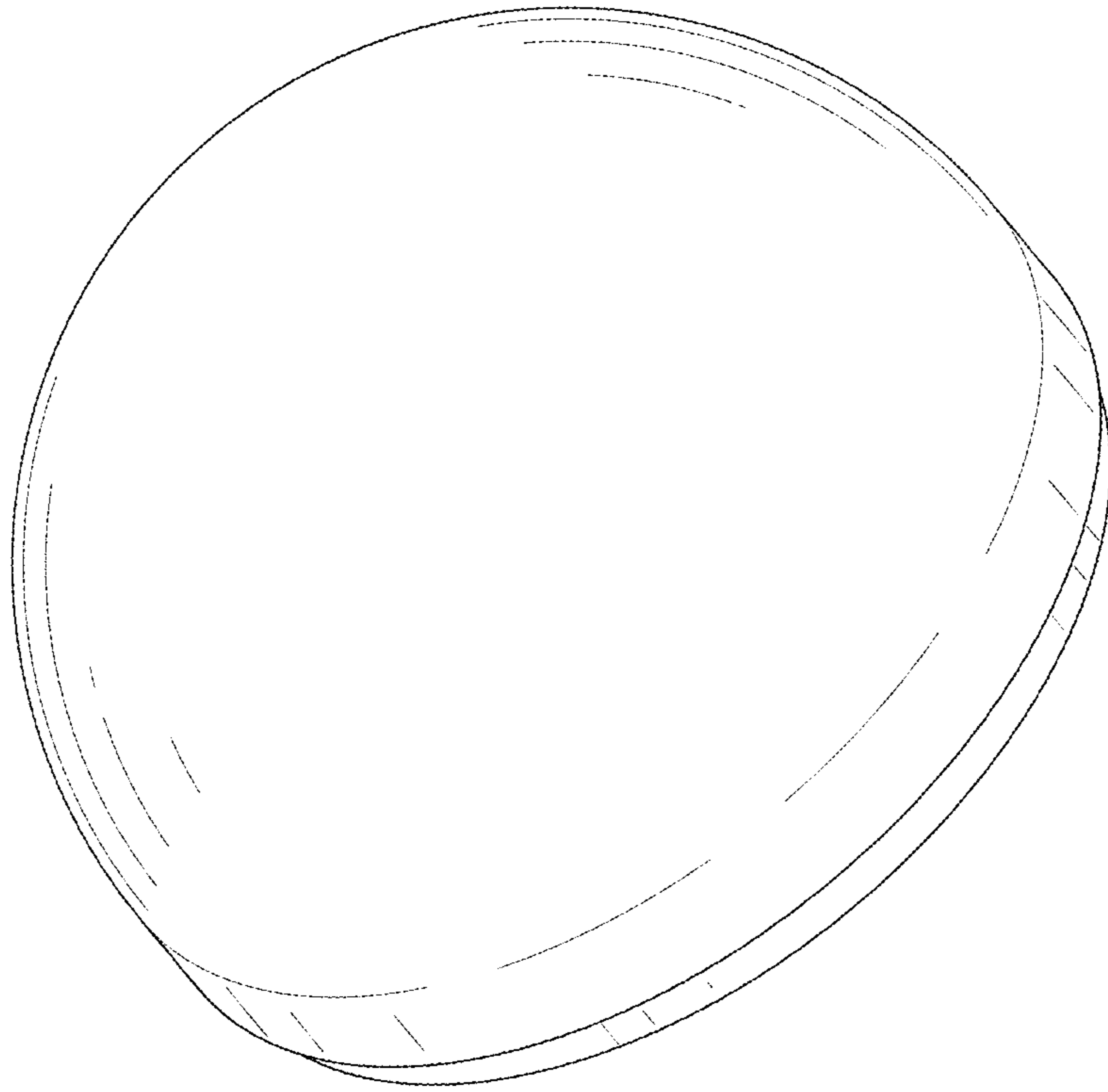


FIG. 2

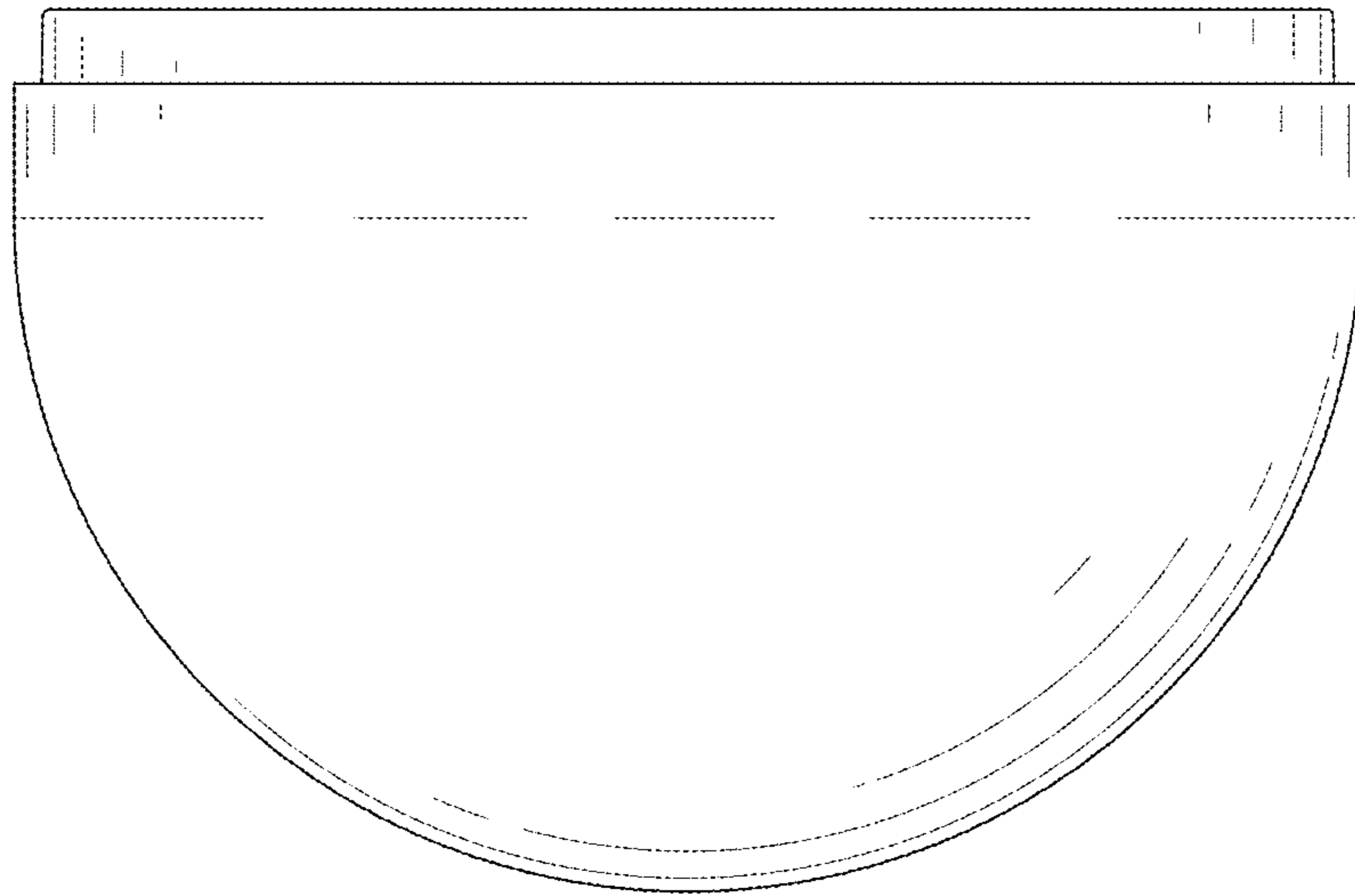


FIG. 3

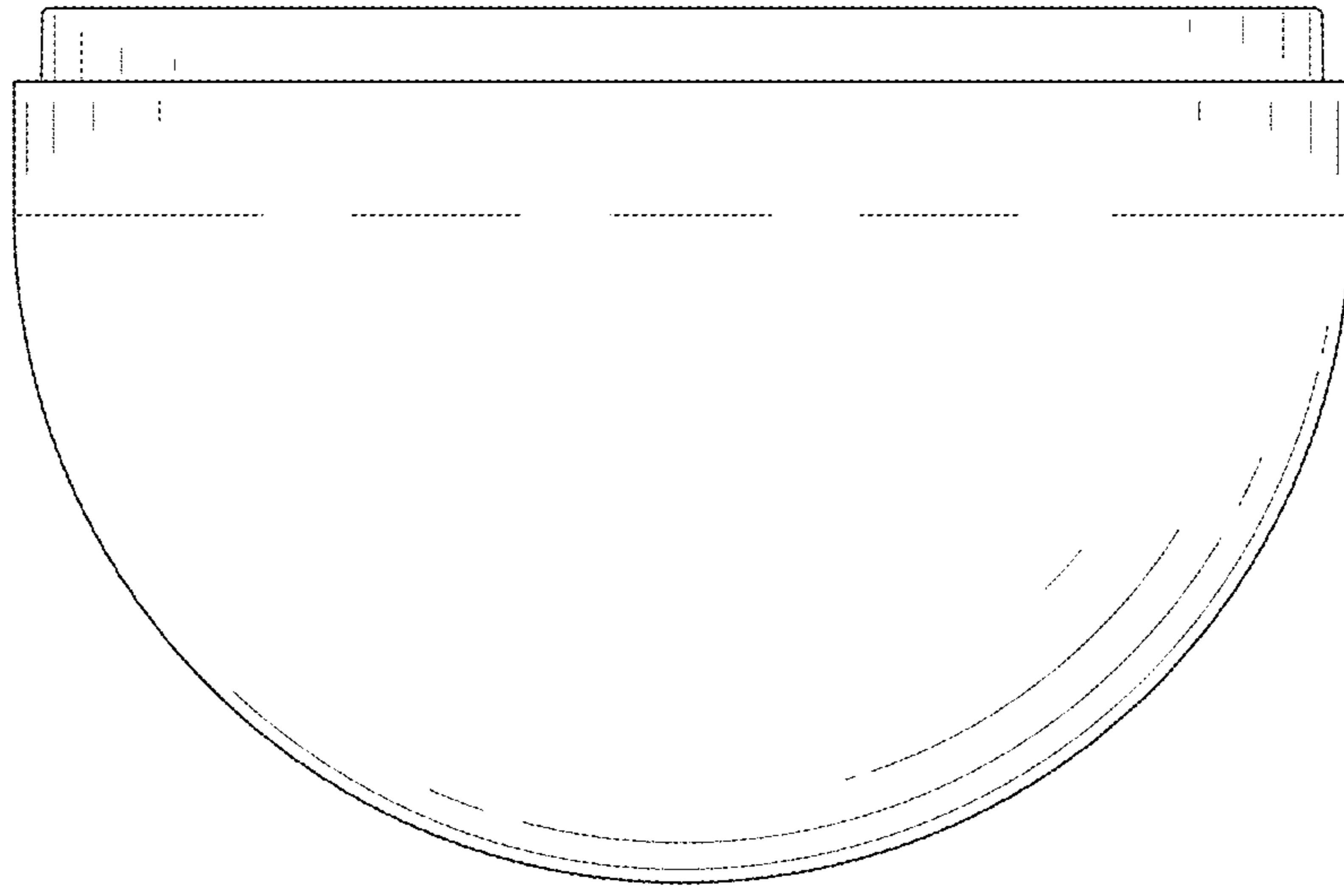


FIG. 4

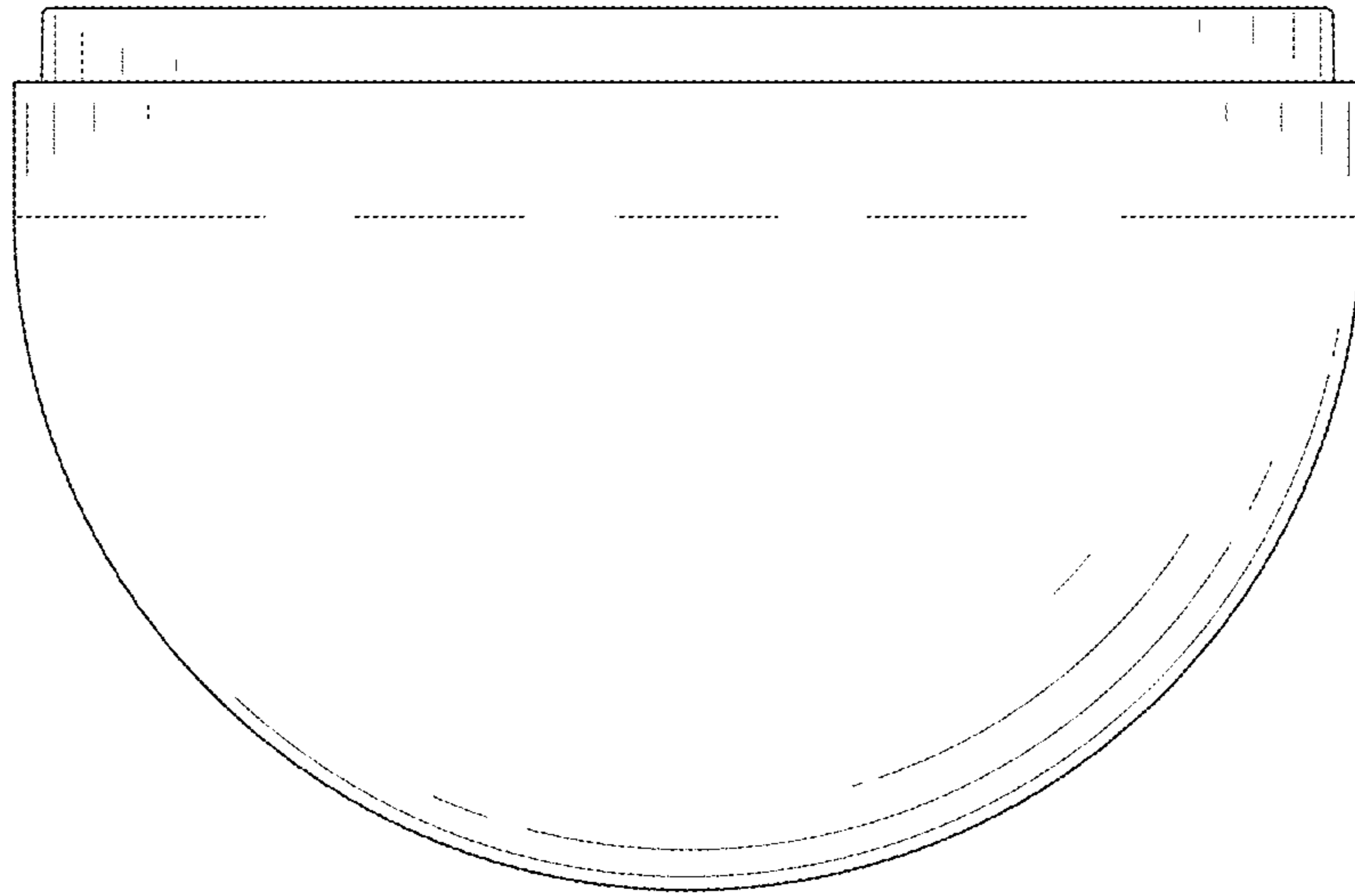


FIG. 5

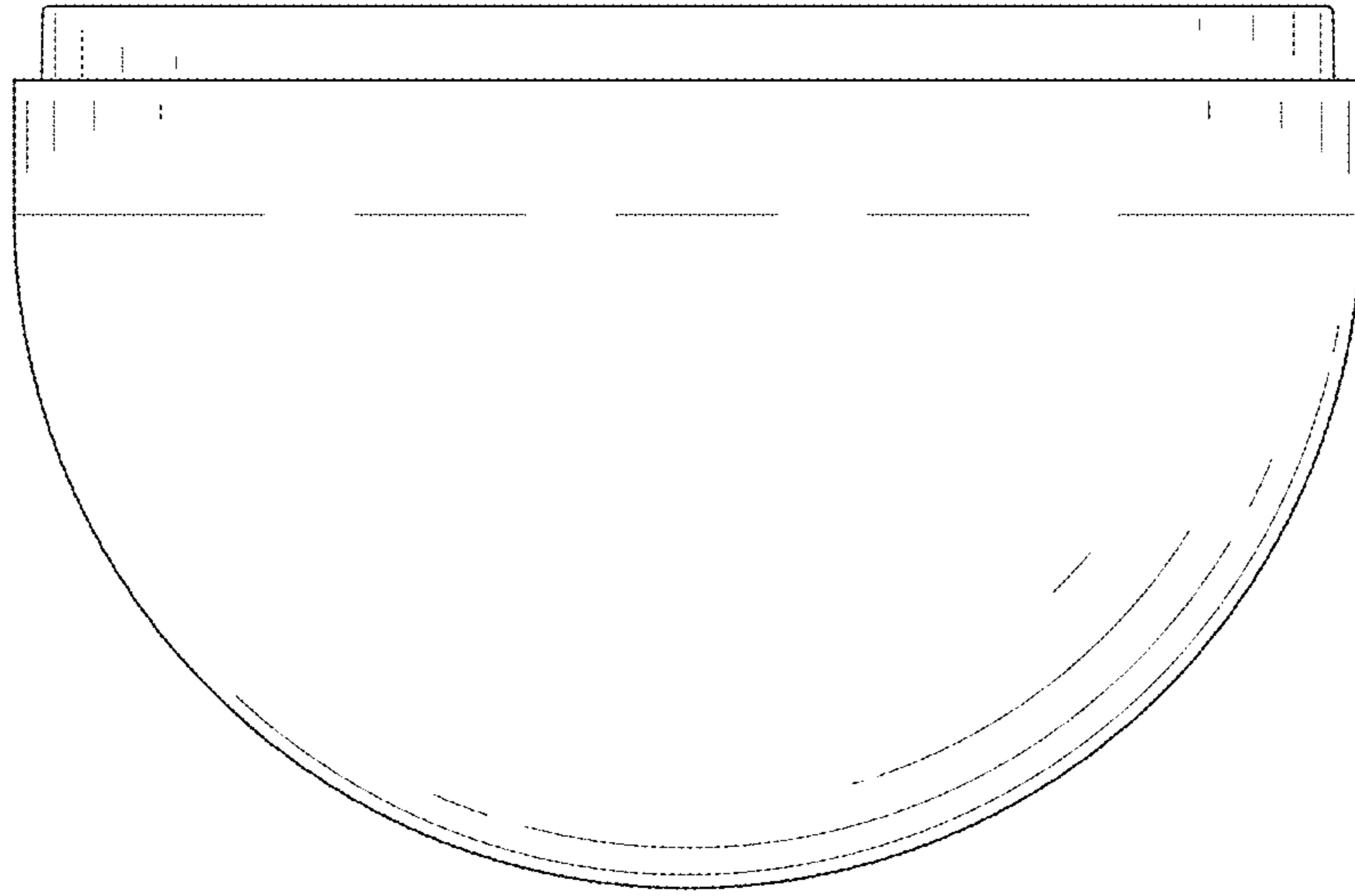


FIG. 6

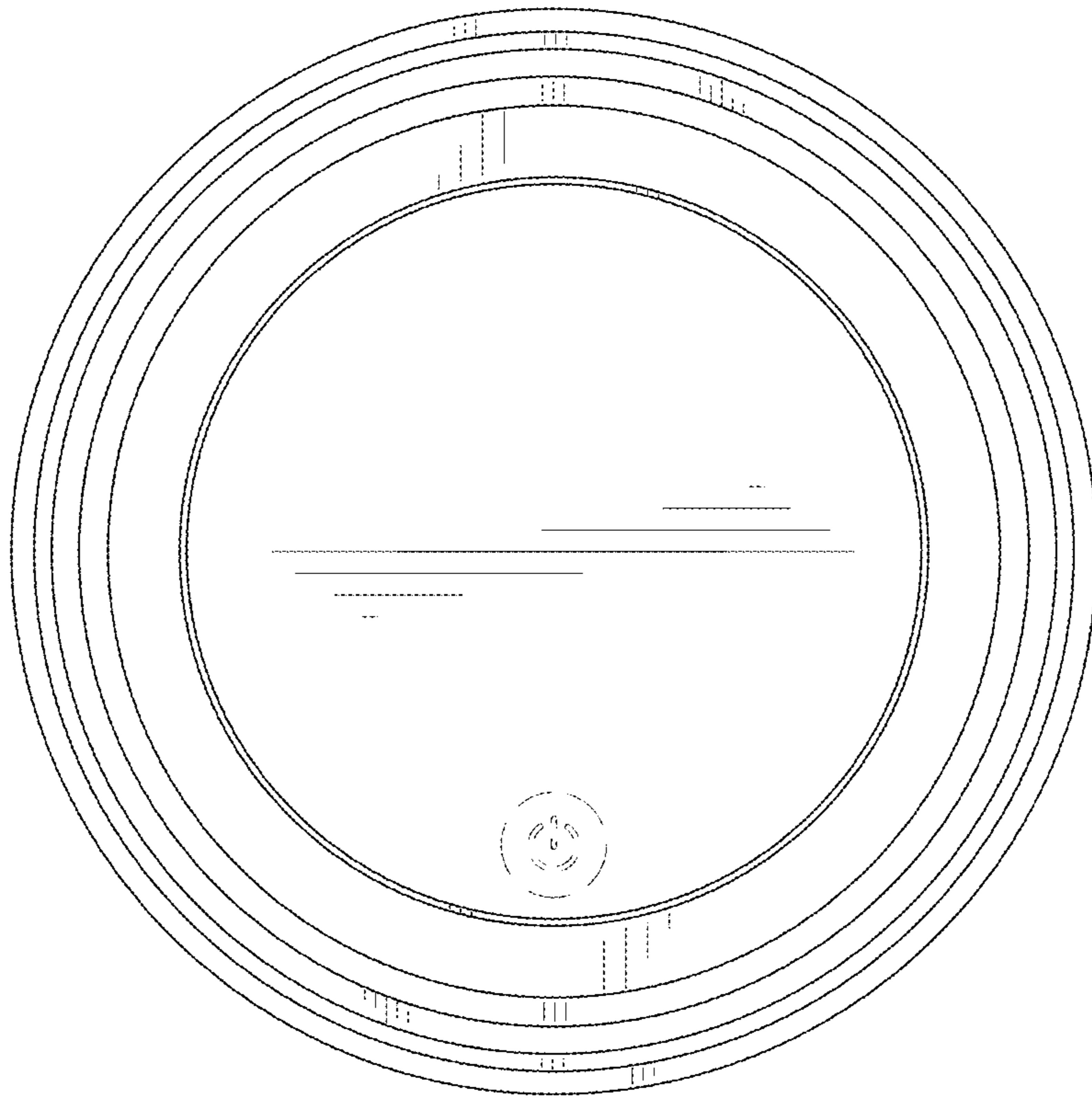


FIG. 7

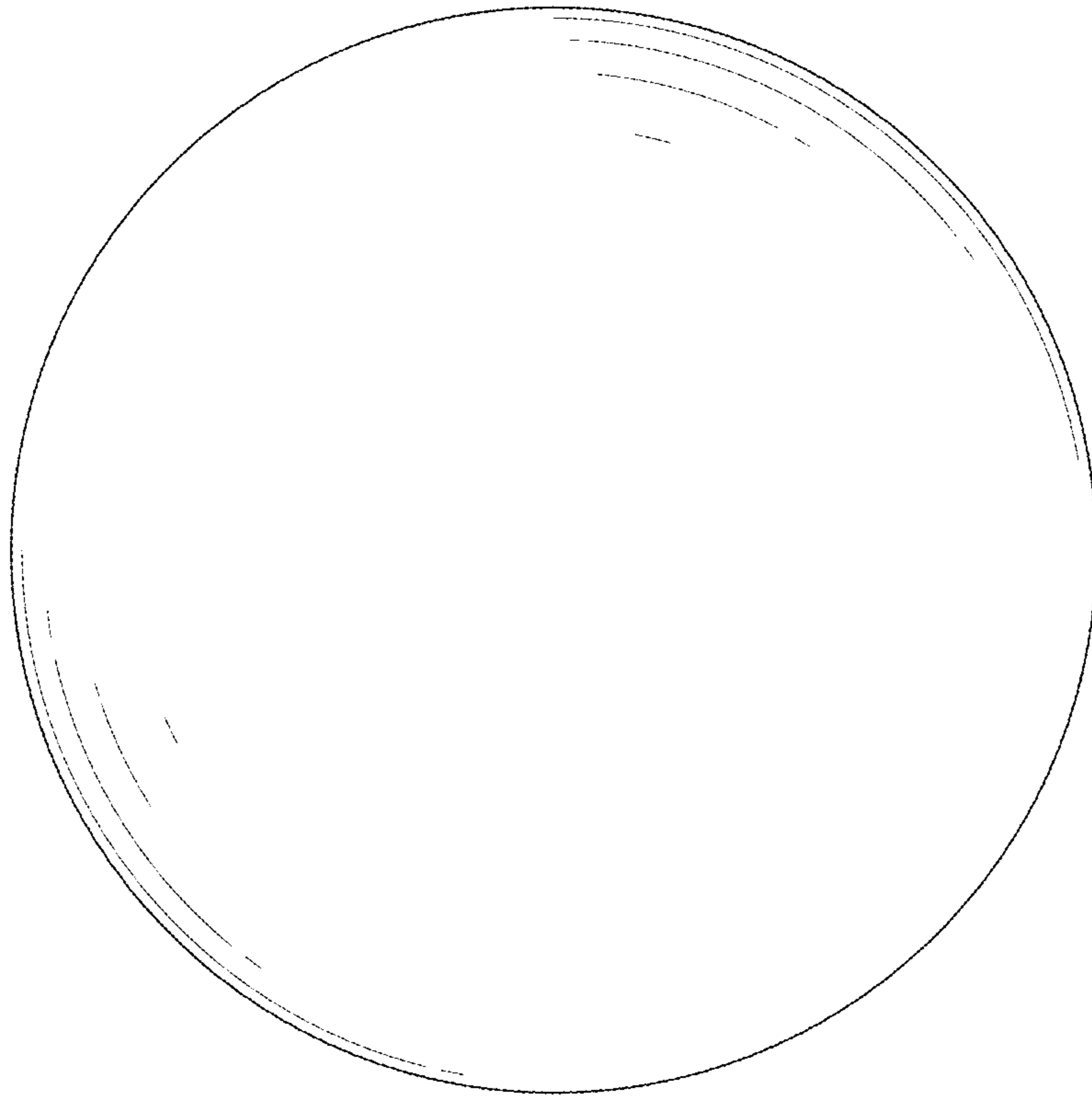


FIG. 8