



US00D905315S

(12) **United States Design Patent** (10) **Patent No.:** **US D905,315 S**  
**Li** (45) **Date of Patent:** **\*\* \*Dec. 15, 2020**

(54) **LIGHT FIXTURE** D605,333 S \* 12/2009 Miranda ..... F16B 45/02  
D26/88  
(71) Applicant: **Chunhao Li**, Shenzhen (CN) D666,765 S \* 9/2012 Orozco ..... D26/90  
D825,812 S \* 8/2018 Wright ..... D26/81

(72) Inventor: **Chunhao Li**, Shenzhen (CN)

(\* ) Notice: This patent is subject to a terminal disclaimer.

(\*\*) Term: **15 Years**

(21) Appl. No.: **29/643,066**

(22) Filed: **Apr. 4, 2018**

(51) **LOC (12) Cl.** ..... **26-03**

(52) **U.S. Cl.**  
USPC ..... **D26/81**

(58) **Field of Classification Search**  
USPC ..... D26/81-92, 143, 144  
See application file for complete search history.

(56) **References Cited**

**U.S. PATENT DOCUMENTS**

|                |         |             |       |                        |
|----------------|---------|-------------|-------|------------------------|
| D45,313 S *    | 2/1914  | Schoenhardt | ..... | D26/88                 |
| D75,063 S *    | 5/1928  | Rosenblatt  | ..... | D26/81                 |
| 1,680,225 A *  | 8/1928  | Luckiesh    | ..... | F21S 8/06<br>362/247   |
| D135,698 S *   | 5/1943  | Samit       | ..... | D26/90                 |
| D167,081 S *   | 6/1952  | Huegel      | ..... | F21S 8/06<br>362/408   |
| D252,531 S *   | 7/1979  | Glassman    | ..... | D26/80                 |
| D302,478 S *   | 7/1989  | Bohler      | ..... | D26/81                 |
| D483,514 S *   | 12/2003 | Cuevas      | ..... | D26/81                 |
| 6,945,676 B1 * | 9/2005  | Scott       | ..... | F16B 45/02<br>24/598.4 |
| D592,796 S *   | 5/2009  | Chandler    | ..... | D26/144                |

**OTHER PUBLICATIONS**

Anmytek Metal and Circular Wood Chandelier Model No. C0014. Date first available at amazon.com—Jul. 16, 2017. (Year: 2017).\*  
Kichler Lighting 3-Light Distressed Wood Semi Flush Mount Light Model No. 38171. Date first available at amazon.com—Jul. 14, 2016. (Year: 2016).\*

\* cited by examiner

*Primary Examiner* — Clare E Heflin

(57) **CLAIM**

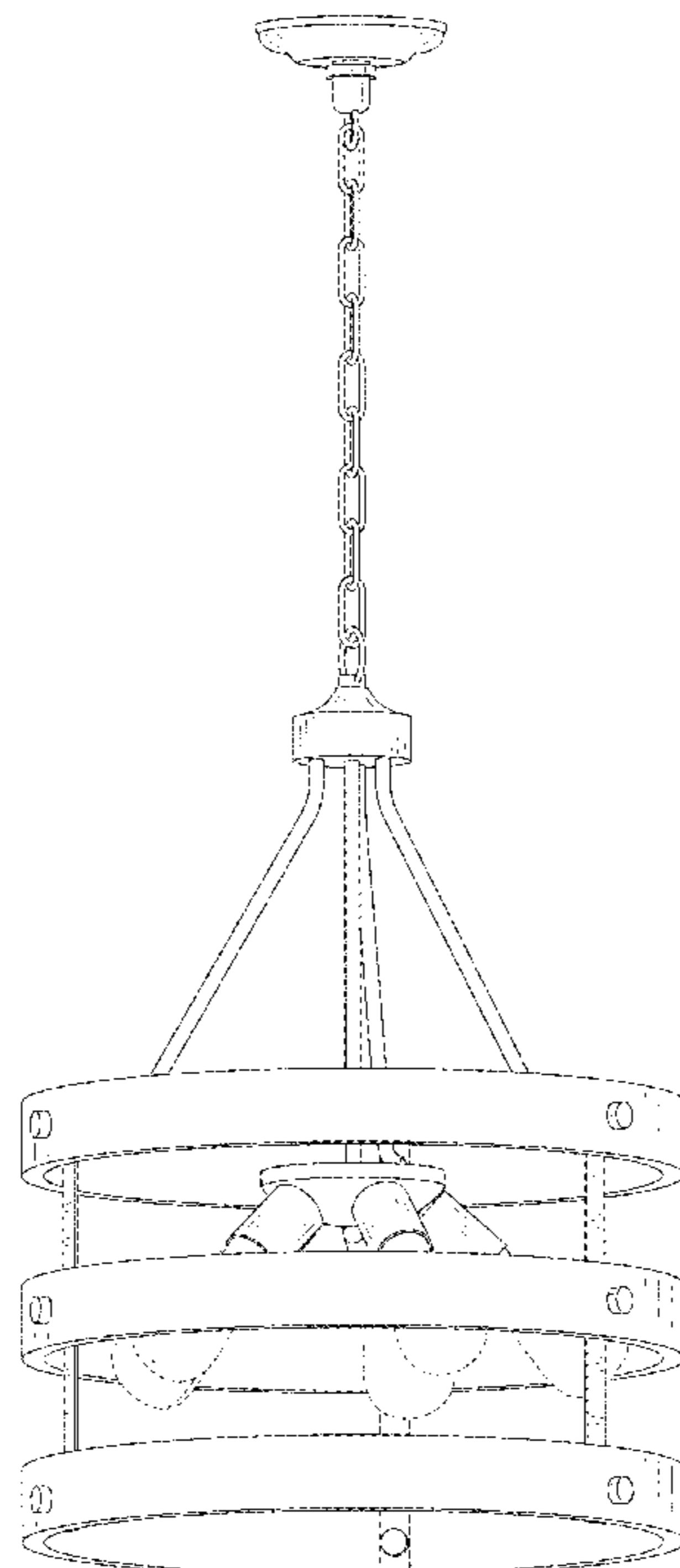
The ornamental design for a light fixture, as shown and described.

**DESCRIPTION**

FIG. 1 is a perspective view of a light fixture embodying the design of the present invention;  
FIG. 2 is a front side elevational view of the light fixture illustrated in FIG. 1;  
FIG. 3 is a right side elevational view of the light fixture illustrated in FIG. 1;  
FIG. 4 is a left side elevational view of the light fixture illustrated in FIG. 1;  
FIG. 5 is a top plan view of the light fixture illustrated in FIG. 1; and,  
FIG. 6 is a bottom plan view of the light fixture illustrated in FIG. 1.

The broken lines in the drawings depict portions of the light fixture that form no part of the claimed design.

**1 Claim, 6 Drawing Sheets**



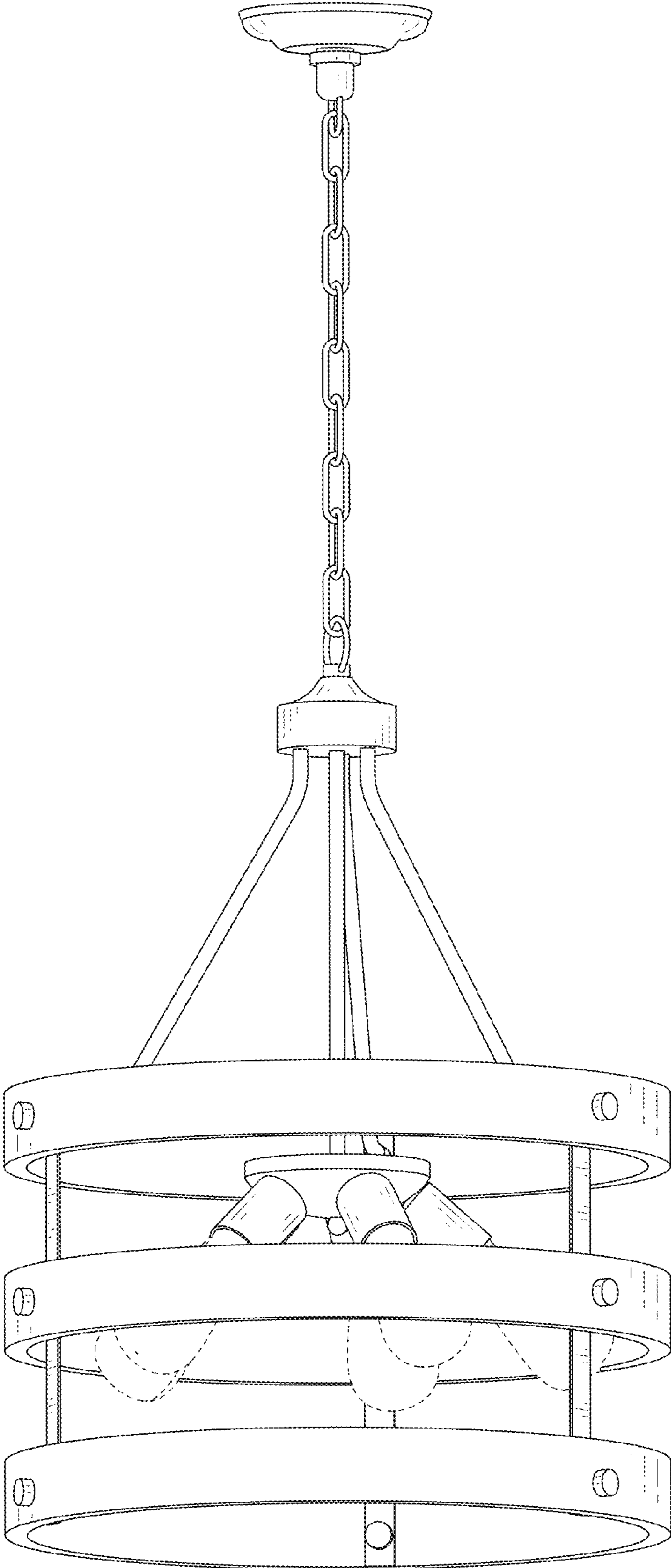


FIG. 1

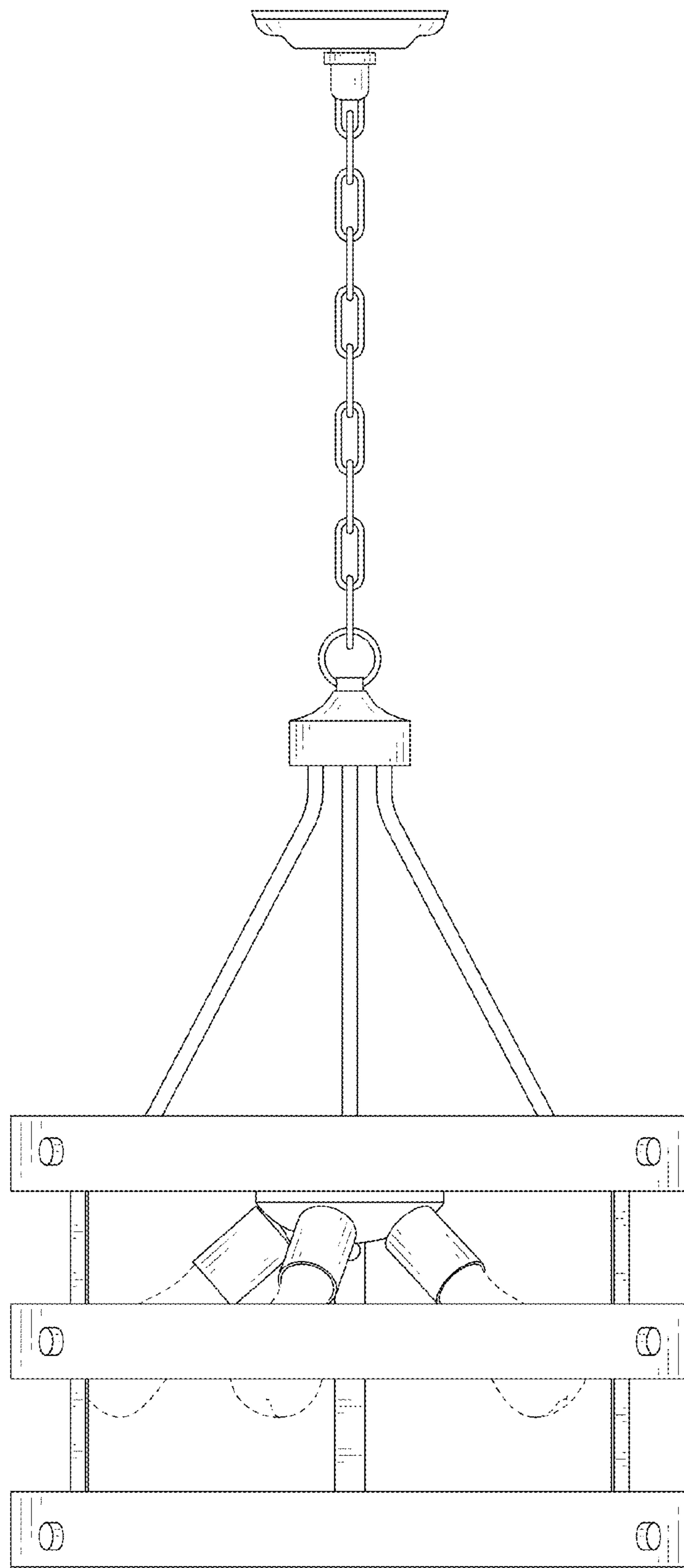


FIG. 2

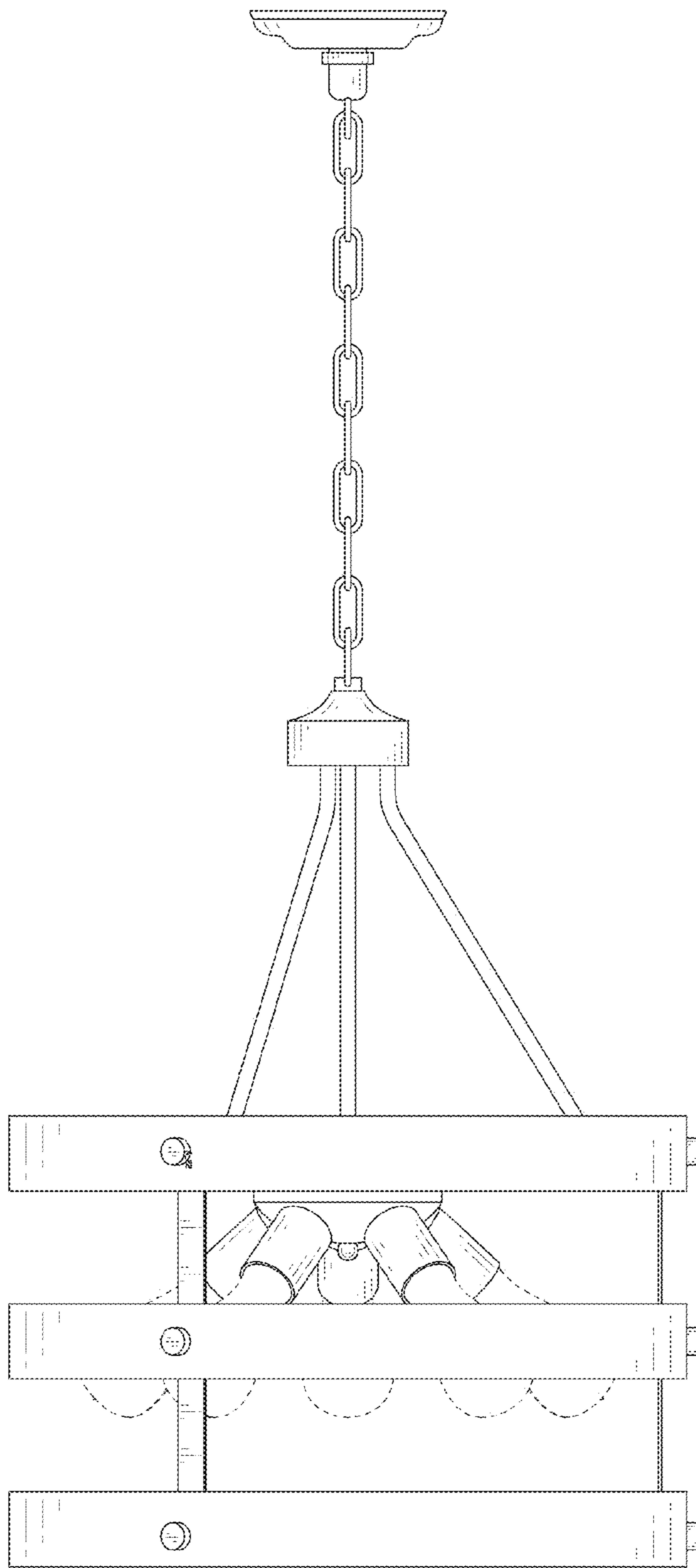


FIG. 3

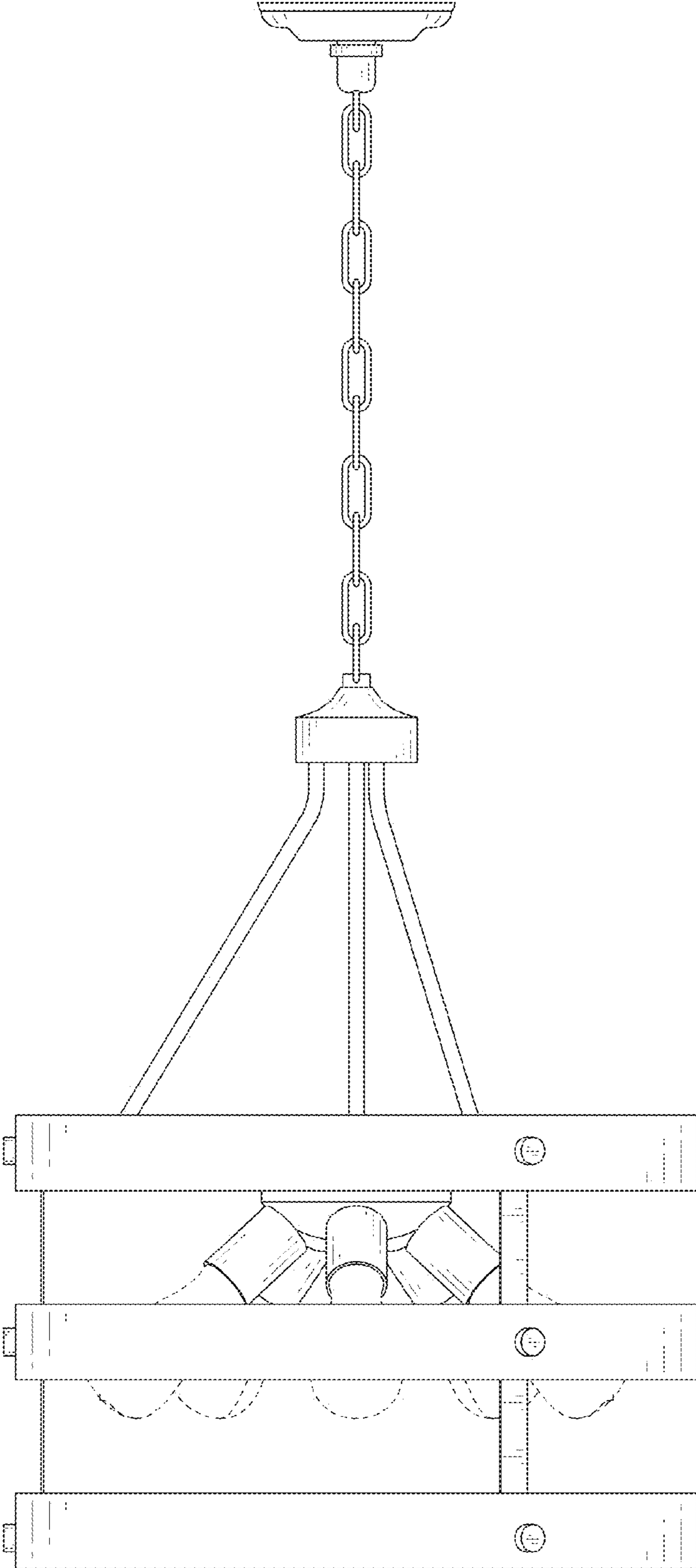


FIG. 4

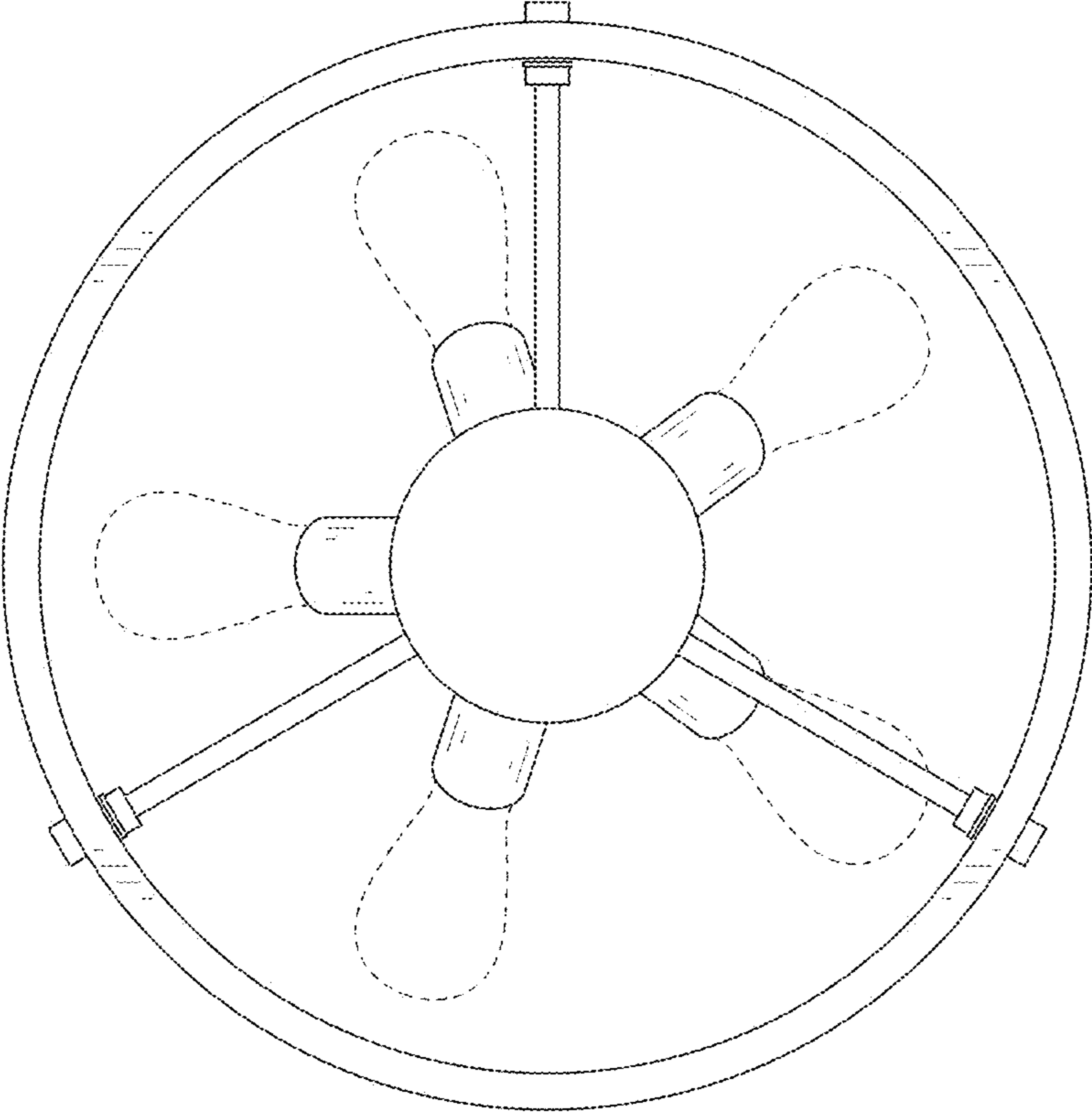


FIG. 5



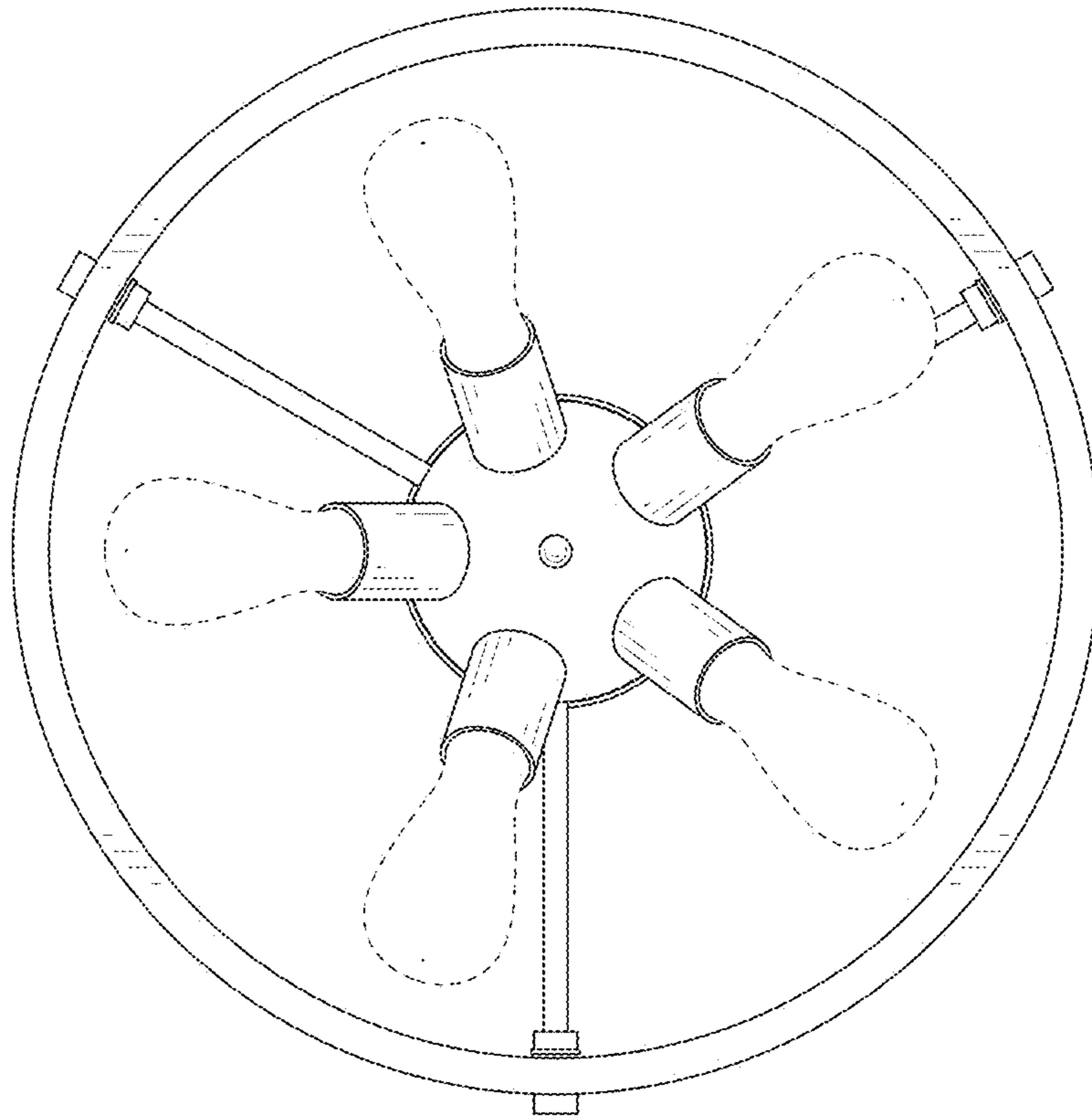


FIG. 6