



US00D905314S

(12) **United States Design Patent**
Pan

(10) **Patent No.:** **US D905,314 S**

(45) **Date of Patent:** **** Dec. 15, 2020**

(54) **LED LAMP**

(71) Applicant: **SHENZHEN SNC OPTO ELECTRONIC CO., LTD.**, Shenzhen (CN)

(72) Inventor: **Nianhua Pan**, Shenzhen (CN)

(73) Assignee: **SHENZHEN SNC OPTO ELECTRONIC CO., LTD.**, Shenzhen (CN)

(**) Term: **15 Years**

(21) Appl. No.: **29/677,229**

(22) Filed: **Jan. 18, 2019**

(51) **LOC (12) Cl.** **26-05**

(52) **U.S. Cl.**
USPC **D26/71**

(58) **Field of Classification Search**
USPC D26/24, 63, 71, 72, 74, 75-78, 80-92, D26/118, 120, 122, 142, 149; D13/134; D10/111-115
CPC F21V 23/003; F21V 23/023; F21V 29/71; F21V 29/713; F21V 29/717; F21V 29/73; F21V 29/74; F21V 29/745; F21V 29/75; F21V 29/76; F21V 5/00; F21V 1/02; F21V 15/01; F21Y 2115/10; F21S 8/002; F21S 8/04; F21S 8/026
See application file for complete search history.

(56) **References Cited**

U.S. PATENT DOCUMENTS

| | | | | |
|--------------|---------|-----------|-------|---------|
| D672,492 S * | 12/2012 | Butler | | D26/71 |
| D831,254 S * | 10/2018 | Pouladian | | D26/71 |
| D831,872 S * | 10/2018 | Sinai | | D26/71 |
| D850,693 S * | 6/2019 | Pan | | D26/71 |
| D850,694 S * | 6/2019 | Pan | | D26/71 |
| D853,622 S * | 7/2019 | Yu | | D26/113 |
| D856,566 S * | 8/2019 | Deng | | D26/71 |

| | | | | |
|--------------|---------|------|-------|--------|
| D857,966 S * | 8/2019 | Yang | | D26/85 |
| D869,725 S * | 12/2019 | Wang | | D26/71 |
| D870,948 S * | 12/2019 | He | | D26/71 |

(Continued)

OTHER PUBLICATIONS

LED Area Light_Product_Torshare Ltd. (available online) Retrieved from the internet Sep. 1, 2020 from URL: www.torshare.com/product/6/.*

(Continued)

Primary Examiner — Kevin K Rudzinski

Assistant Examiner — Richard Kearney

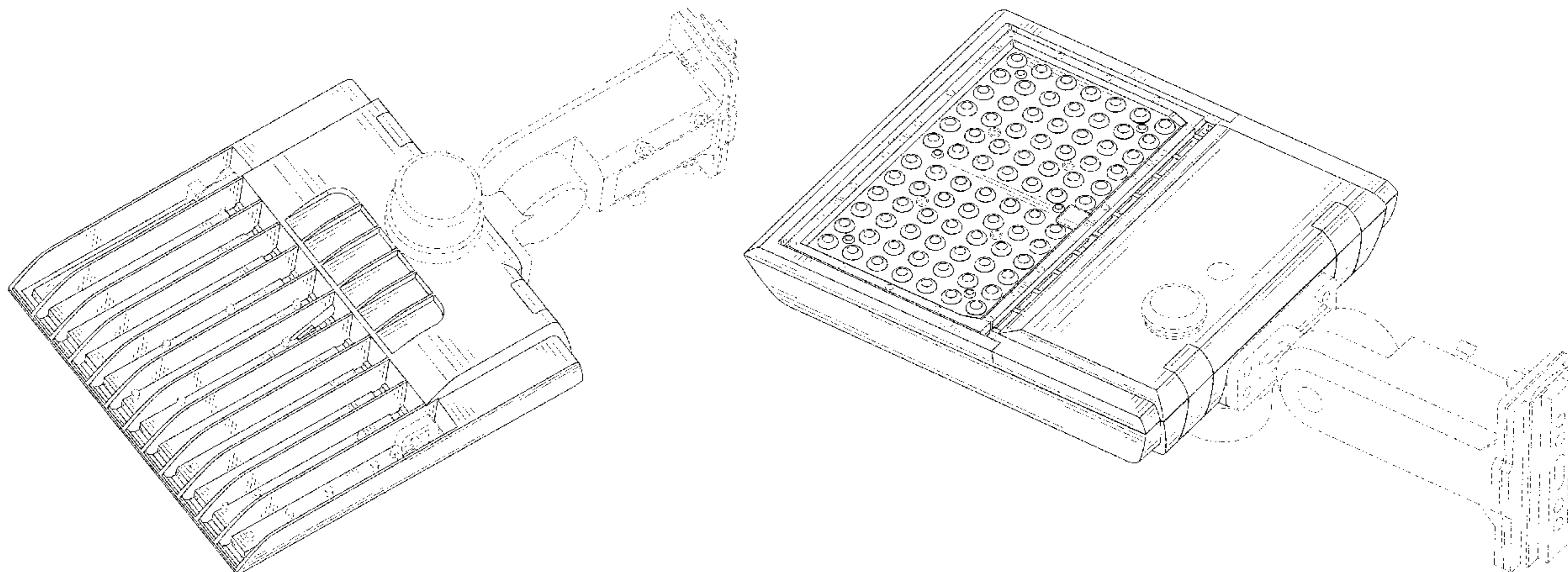
(57) **CLAIM**

The ornamental design for an LED lamp, as shown and described.

DESCRIPTION

FIG. 1 is a front perspective view of an LED lamp in accordance with a first embodiment showing my new design;
FIG. 2 is a rear perspective view thereof;
FIG. 3 is a front elevational view thereof;
FIG. 4 is a rear elevational view thereof;
FIG. 5 is a left side elevational view thereof;
FIG. 6 is a right side elevational view thereof;
FIG. 7 is a top plan view thereof;
FIG. 8 is a bottom plan view thereof;
FIG. 9 is a front perspective view of the LED lamp in accordance with a second embodiment;
FIG. 10 is a rear perspective view thereof;
FIG. 11 is a front elevational view thereof;
FIG. 12 is a rear elevational view thereof;
FIG. 13 is a left side elevational view thereof;
FIG. 14 is a right side elevational view thereof;
FIG. 15 is a top plan view thereof; and,
FIG. 16 is a bottom plan view thereof.
The broken lines in the drawings depict portions of the LED lamp that form no part of the claimed design.

1 Claim, 16 Drawing Sheets



(56)

References Cited

U.S. PATENT DOCUMENTS

D870,949 S * 12/2019 Li D26/71
D891,685 S * 7/2020 Shundong D26/118
2013/0027935 A1* 1/2013 Ladewig F21S 2/00
362/249.01

OTHER PUBLICATIONS

LED Shoebox Light (SB07) (available online) Retrieved from the internet Sep. 1, 2020 from URL: <https://www.snc-lighting.com/en/product/product-20-959.html>.*

* cited by examiner

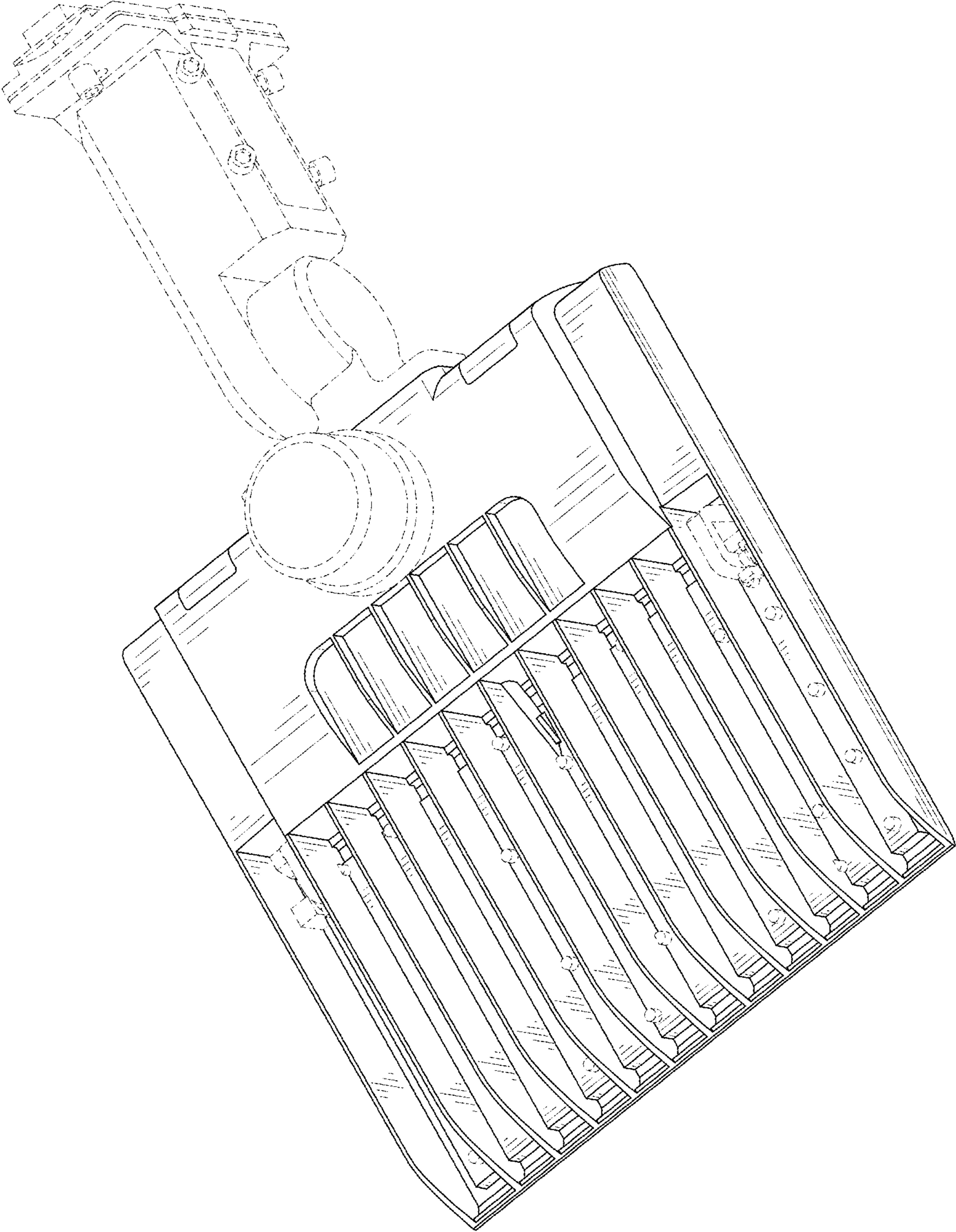


FIG. 1

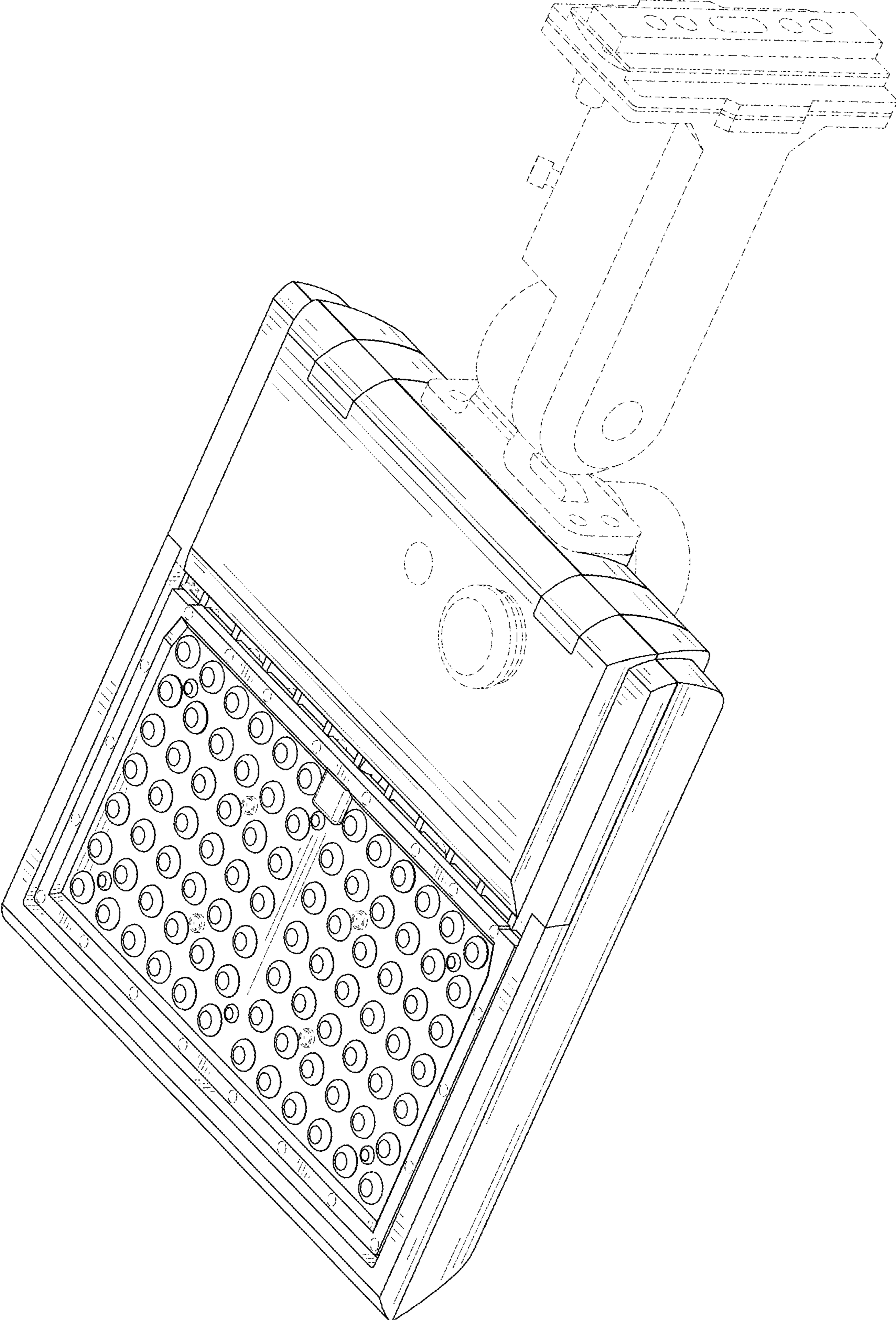


FIG. 2

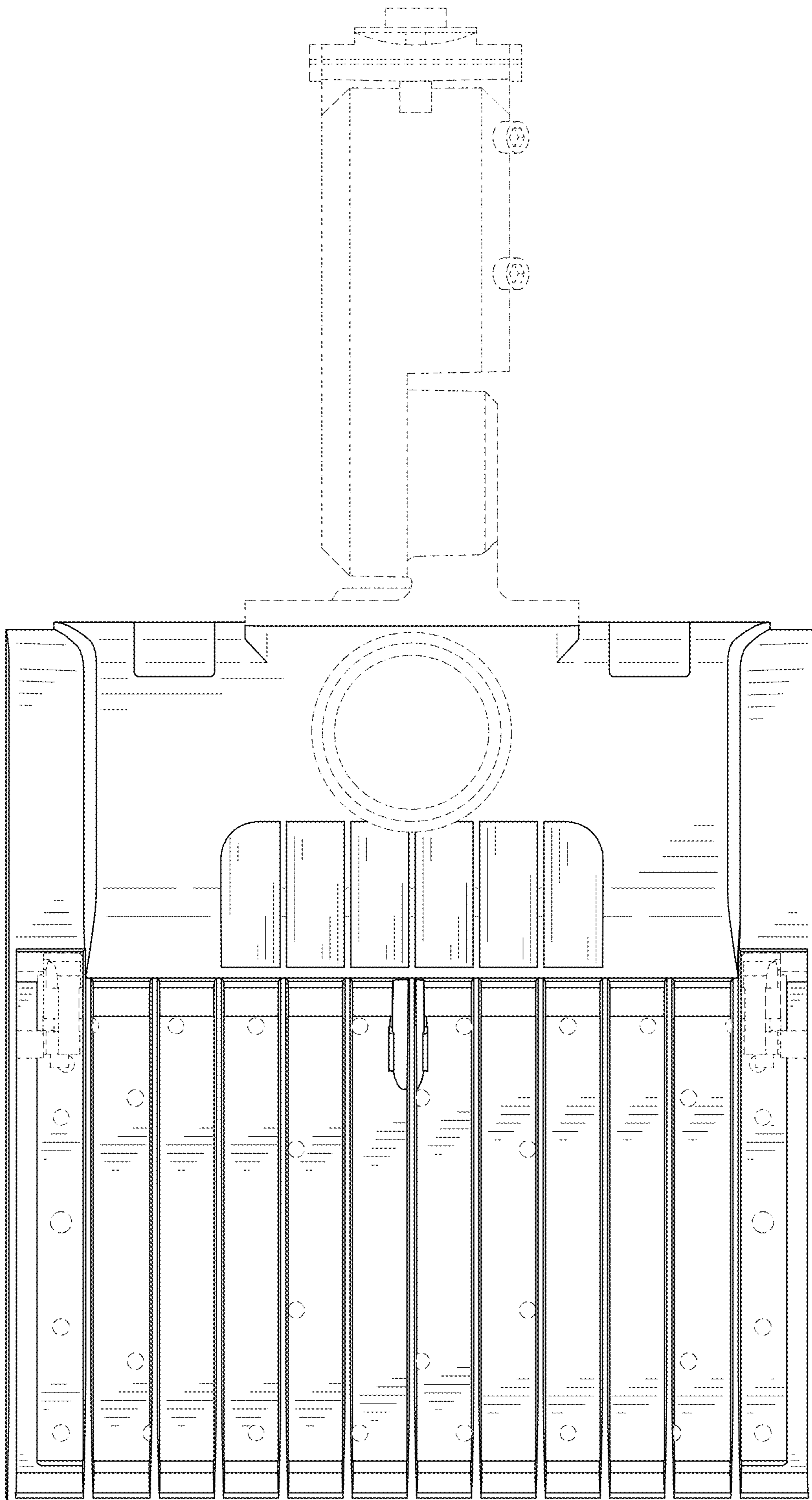


FIG. 3

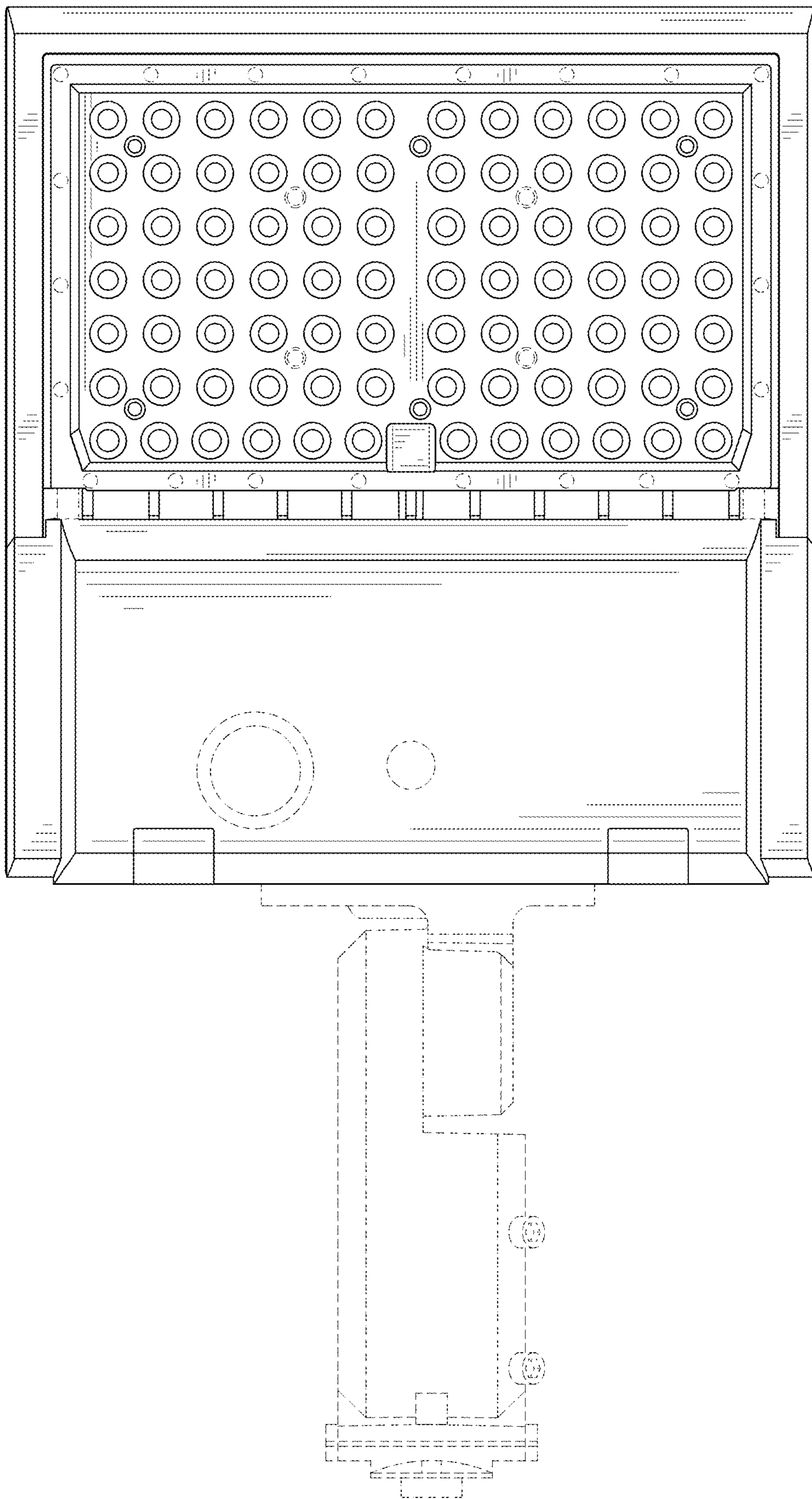


FIG. 4

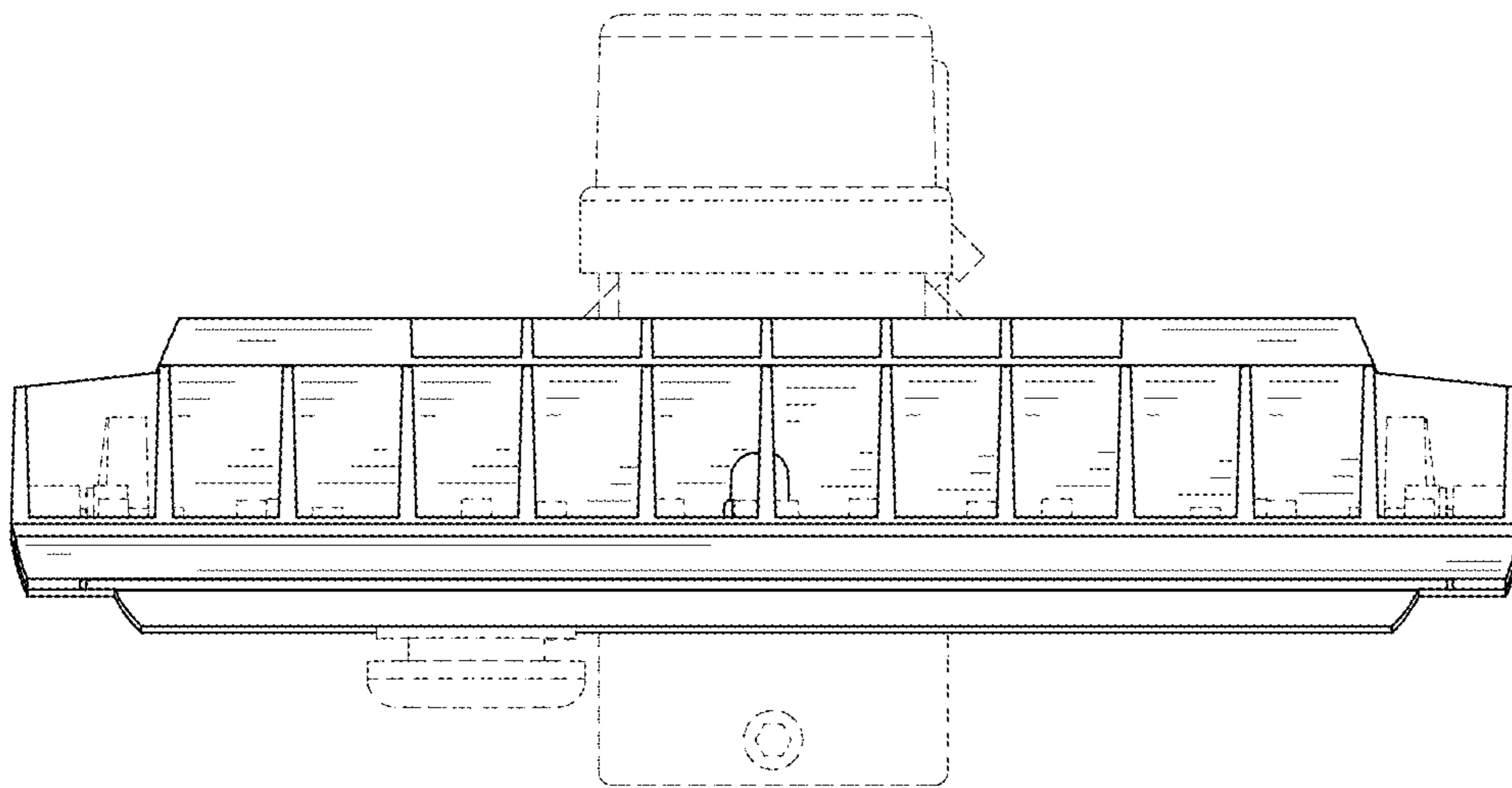


FIG. 5

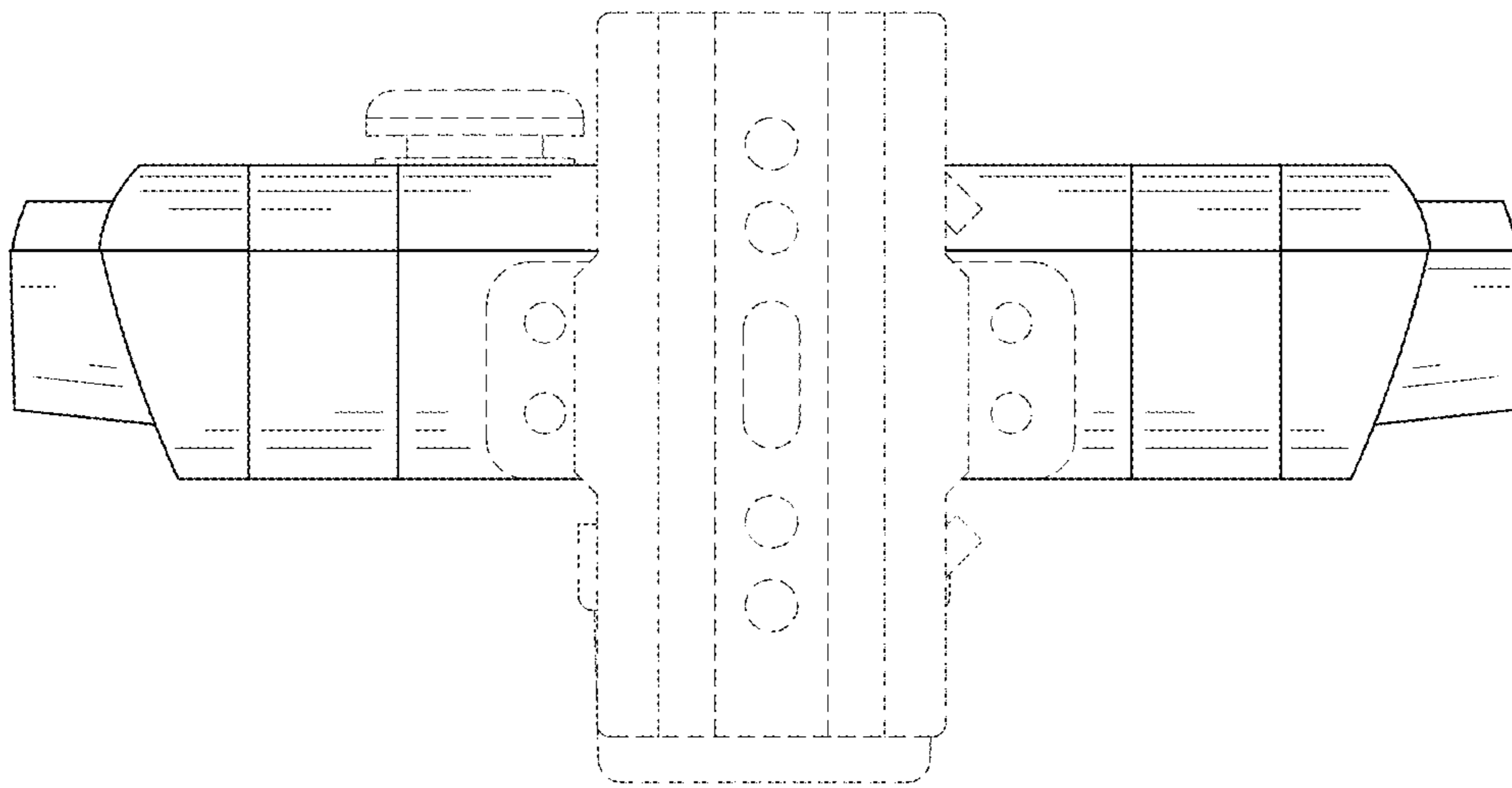


FIG. 6

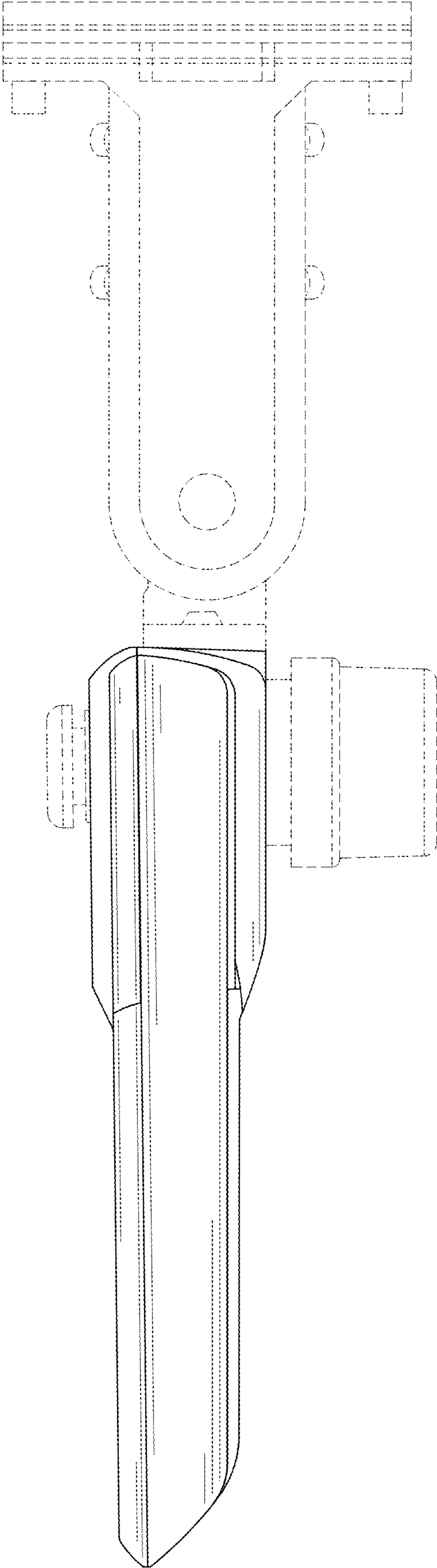


FIG. 7

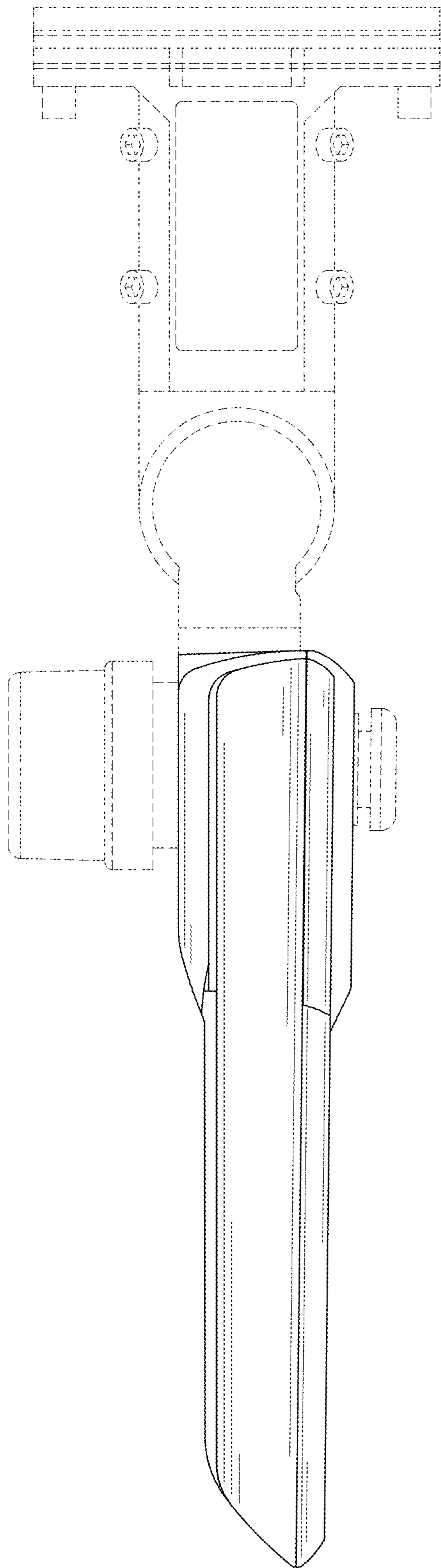


FIG. 8

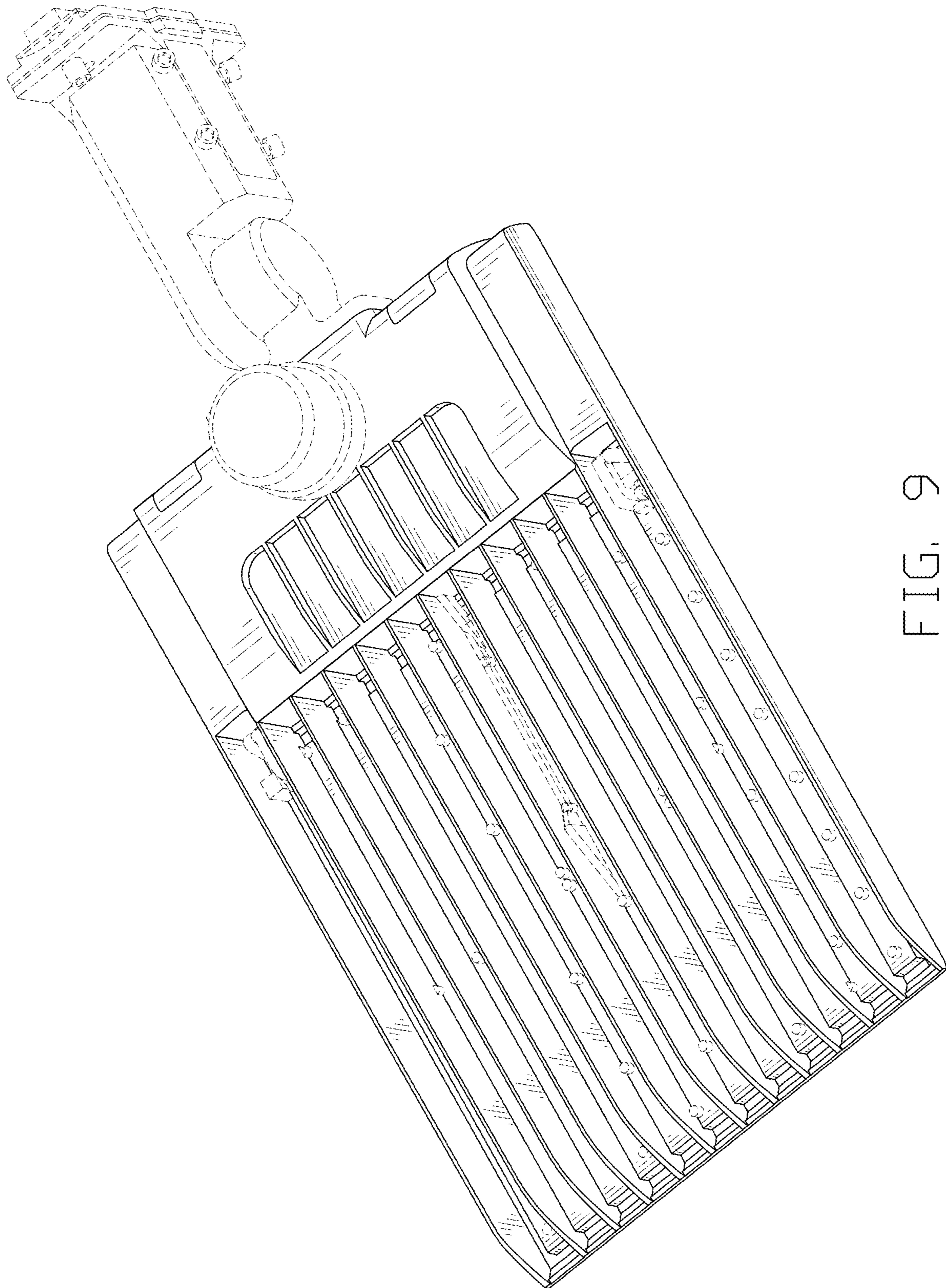


FIG. 9

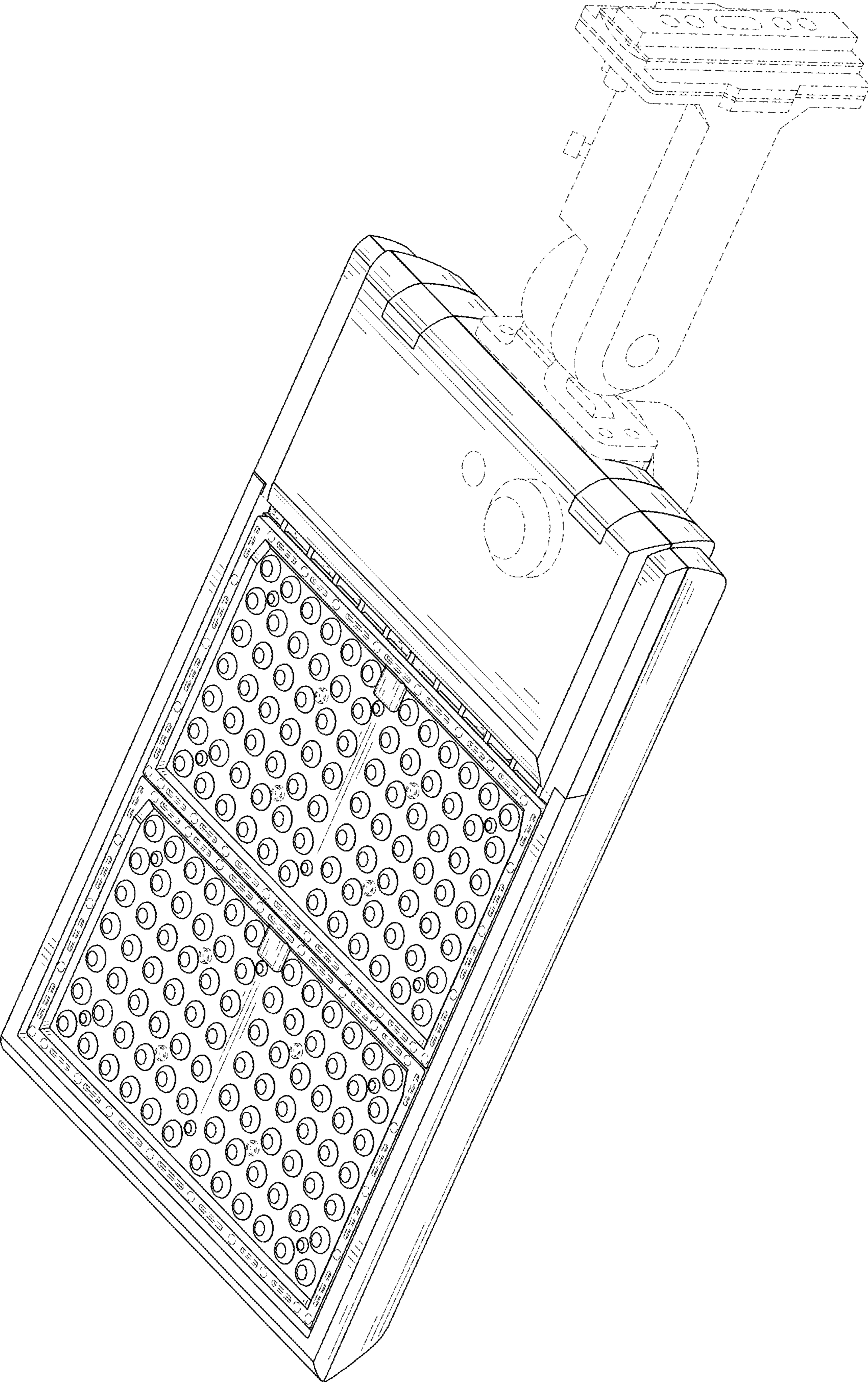


FIG. 10

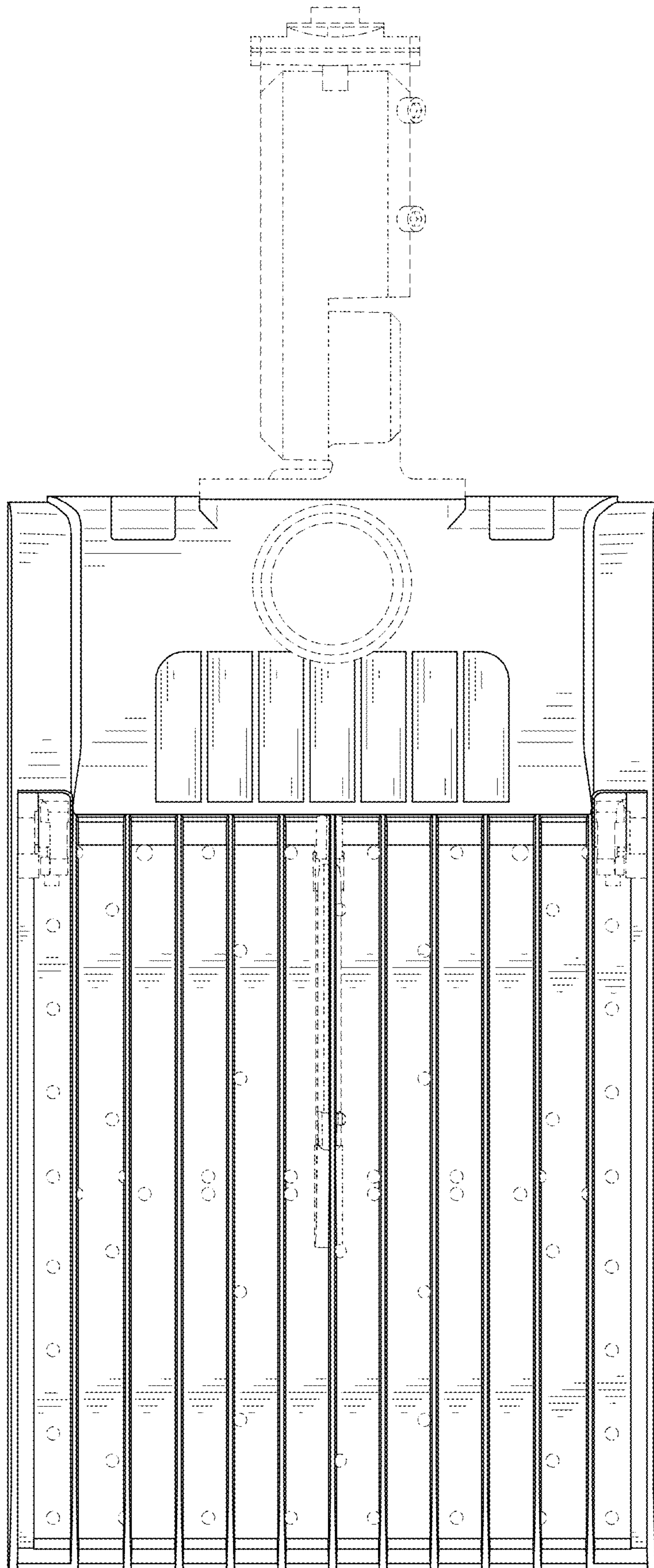


FIG. 11

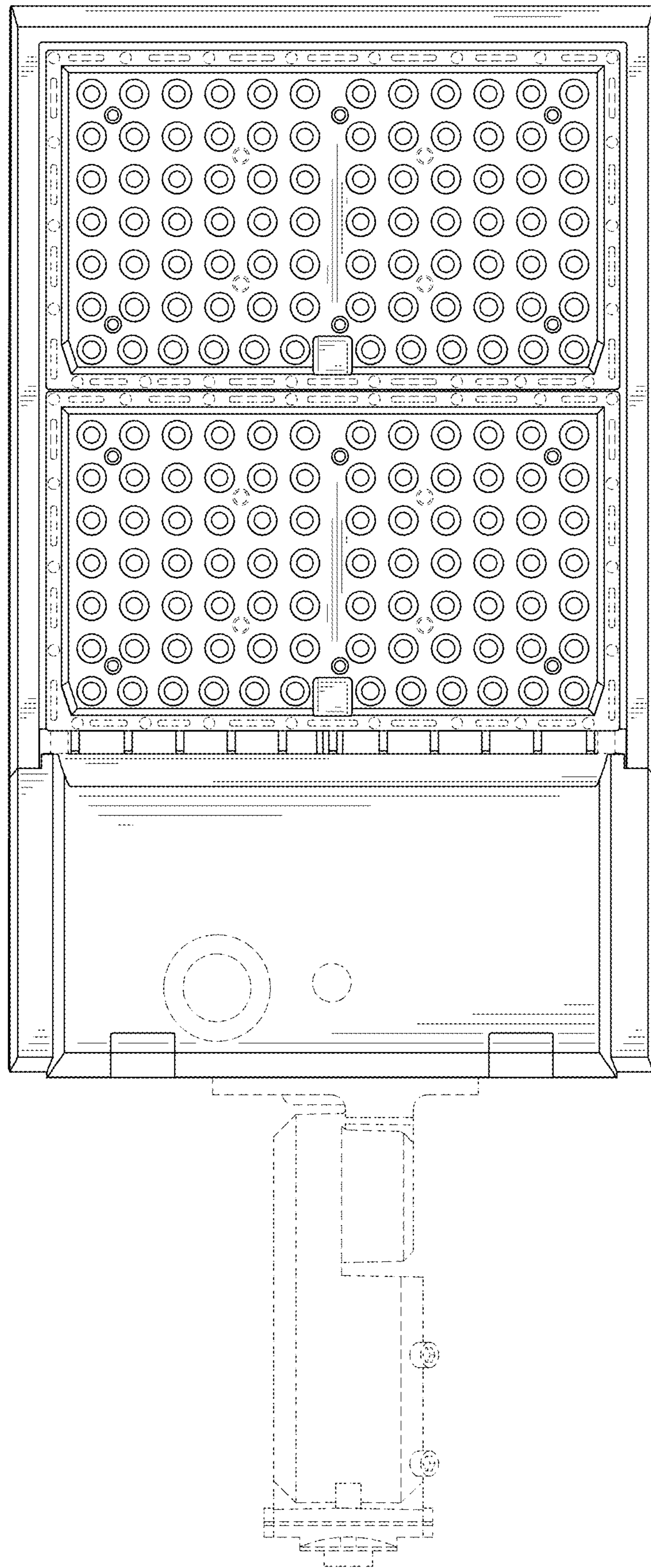


FIG. 12

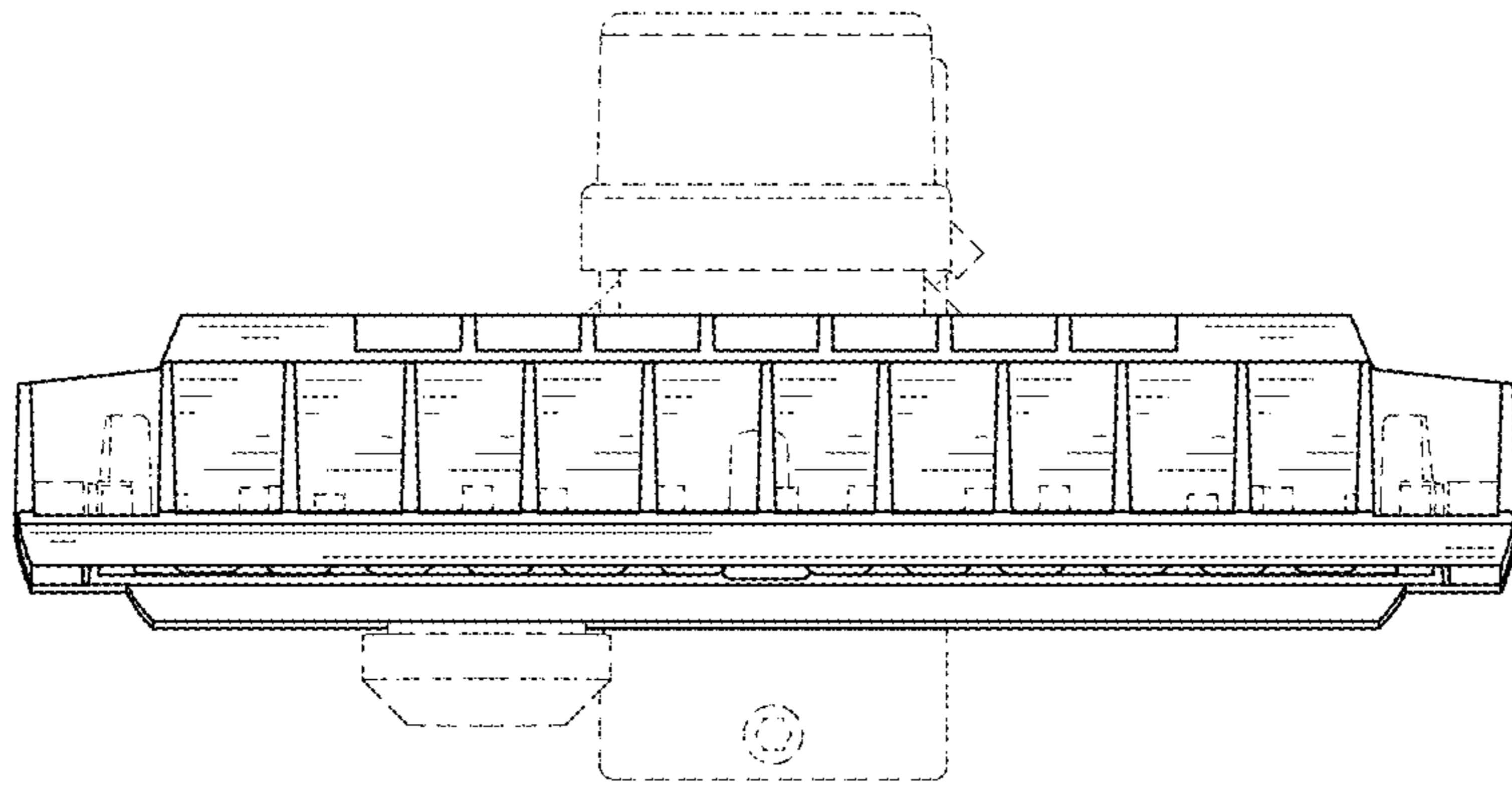


FIG. 13

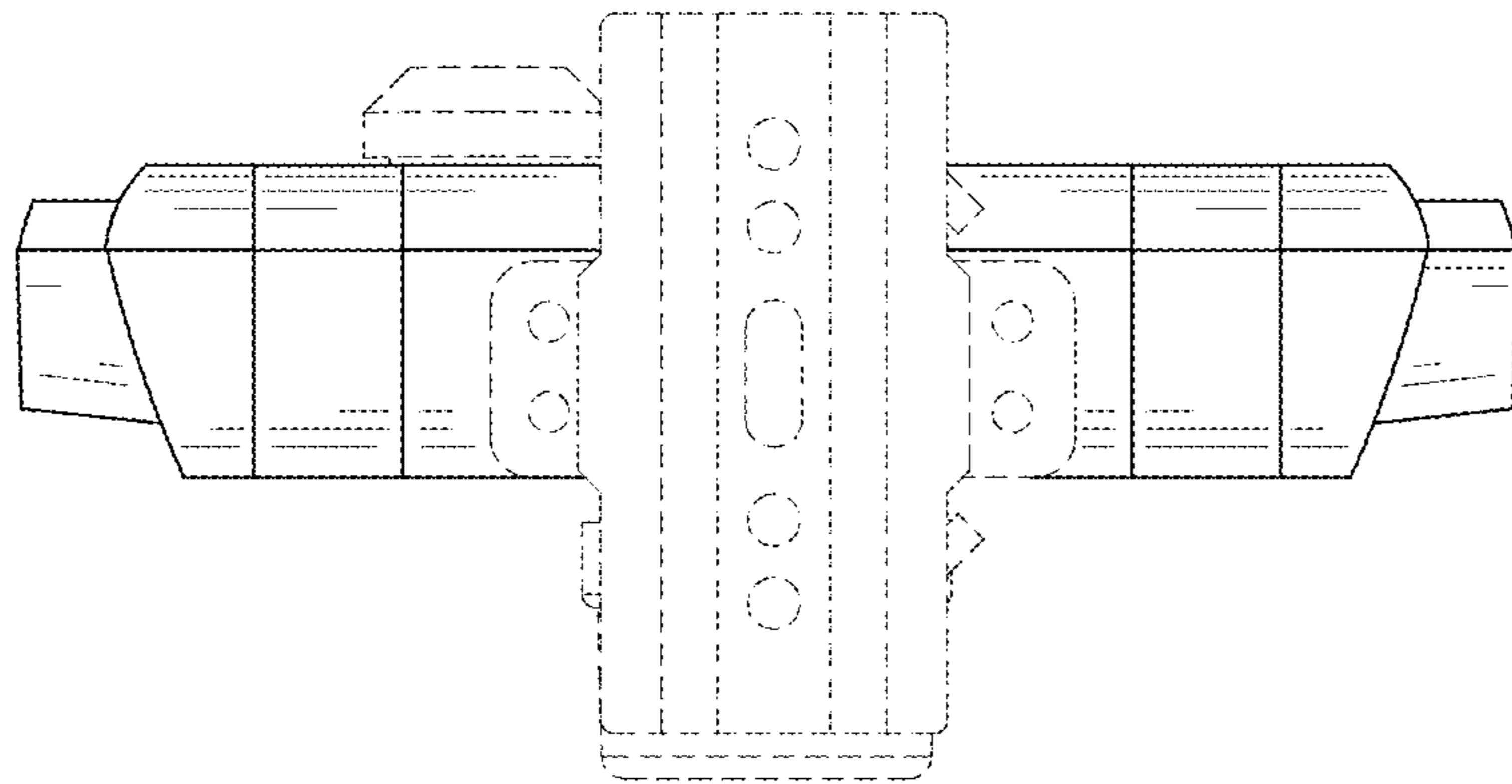


FIG. 14

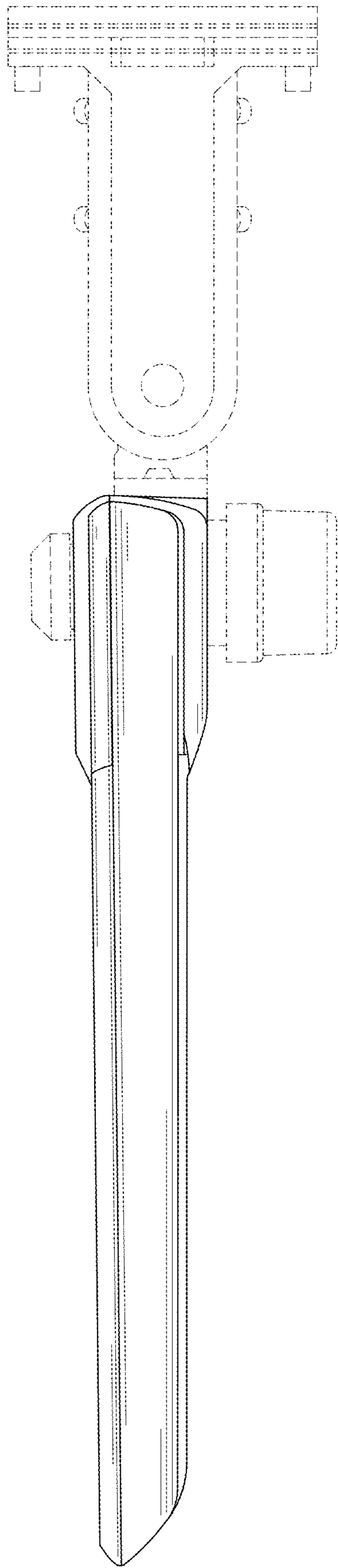


FIG. 15

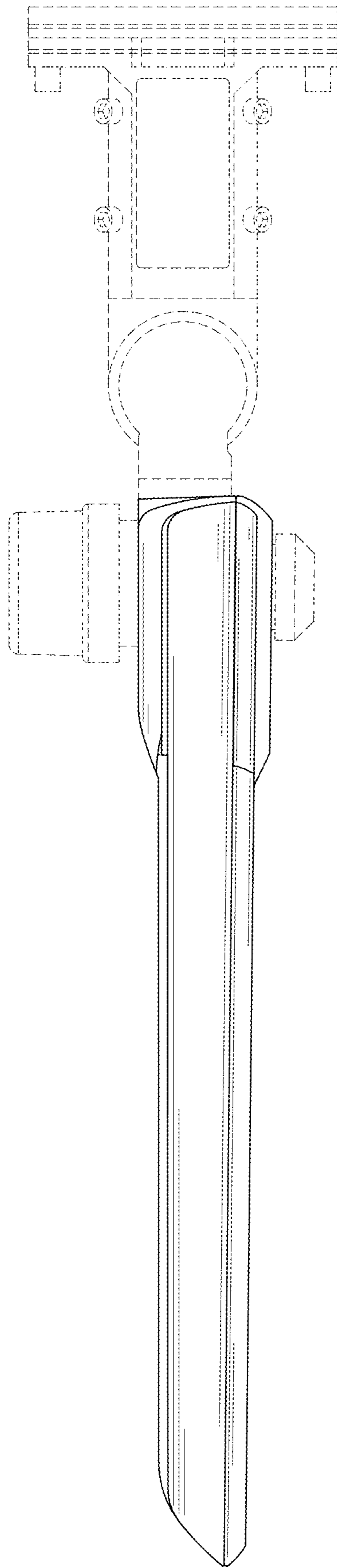


FIG. 16