



US00D905312S

(12) **United States Design Patent** (10) **Patent No.:** **US D905,312 S**
Zhuo (45) **Date of Patent:** **** Dec. 15, 2020**

(54) **SOLAR SPOTLIGHT**
(71) Applicant: **ZHONGSHAN YINGHAO SOLAR TECHNOLOGY CO., LTD,**
Guangdong (CN)
(72) Inventor: **Qiang Zhuo**, Guangdong (CN)
(73) Assignee: **ZHONGSHAN YINGHAO SOLAR TECHNOLOGY CO., LTD,**
Zhongshan (CN)
(**) Term: **15 Years**
(21) Appl. No.: **29/737,045**
(22) Filed: **Jun. 4, 2020**
(51) **LOC (12) Cl.** **26-05**
(52) **U.S. Cl.**
USPC **D26/63; D26/67**
(58) **Field of Classification Search**
USPC **D26/63, 67-70, 85**
CPC .. **F21S 8/081; F21S 8/083; F21S 8/088; F21S 9/03; F21S 9/035; F21S 9/037; F21V 21/0824; F21W 2111/02; F21W 2111/023; F21W 2131/109; G09F 13/0404; G09F 2013/0431**
See application file for complete search history.

D867,644 S * 11/2019 Luo D26/68
D875,289 S * 2/2020 Hu D26/63
D885,632 S * 5/2020 Chen D26/67
D887,058 S * 6/2020 Liu D26/63
D887,059 S * 6/2020 Liu D26/63
2005/0103378 A1 5/2005 Pu
2018/0283657 A1* 10/2018 Xiong F21V 21/0824

OTHER PUBLICATIONS

Claoner 32 LED Solar Landscape Spotlights available at amazon.com Sep. 25, 2019. (Year: 2019).*
LITOM 12 LEDs Solar Landscape Spotlight available at amazon.com as early as Aug. 8, 2019. (Year: 2019).*
8-LED 400 Lumen Solar Spotlight Outdoor Landscape Light IP44 Waterproof Wall-mount/in-ground Item No. 89010383A from tvcmall.com visited Sep. 25, 2020. (Year: 2020).*

* cited by examiner

Primary Examiner — Clare E Heflin
(74) *Attorney, Agent, or Firm* — Wayne & Ken, LLC; Tony Hom

(57) **CLAIM**

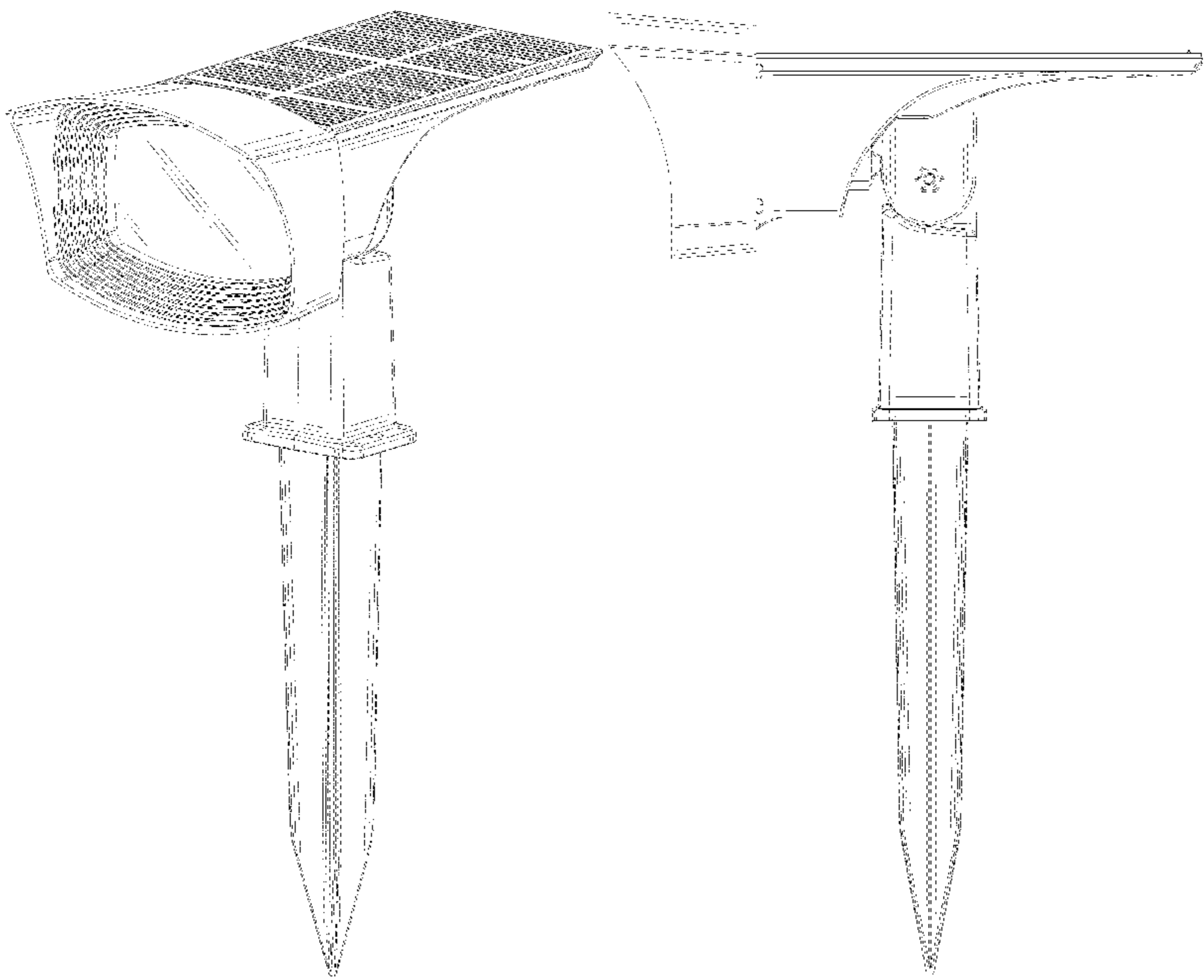
The ornamental design for the solar spotlight, as shown and described.

DESCRIPTION

FIG. 1 is a perspective view of the solar spotlight showing my new design;
FIG. 2 is a front elevation view thereof;
FIG. 3 is a back elevation view thereof;
FIG. 4 is a left side view thereof;
FIG. 5 is a right side view thereof;
FIG. 6 is a top plan view thereof; and,
FIG. 7 is a bottom plan view thereof.
The broken lines in the drawing depict environmental subject matter only and form no part of the claimed design.

1 Claim, 7 Drawing Sheets

(56) **References Cited**
U.S. PATENT DOCUMENTS
5,211,470 A * 5/1993 Frost F21S 9/037 362/183
D533,298 S 12/2006 Kuelbs et al.
D797,342 S * 9/2017 Rousseau D26/67
D797,973 S * 9/2017 Rousseau D26/67
D848,046 S * 5/2019 Zhuo D26/67
D852,398 S * 6/2019 Liu D26/63



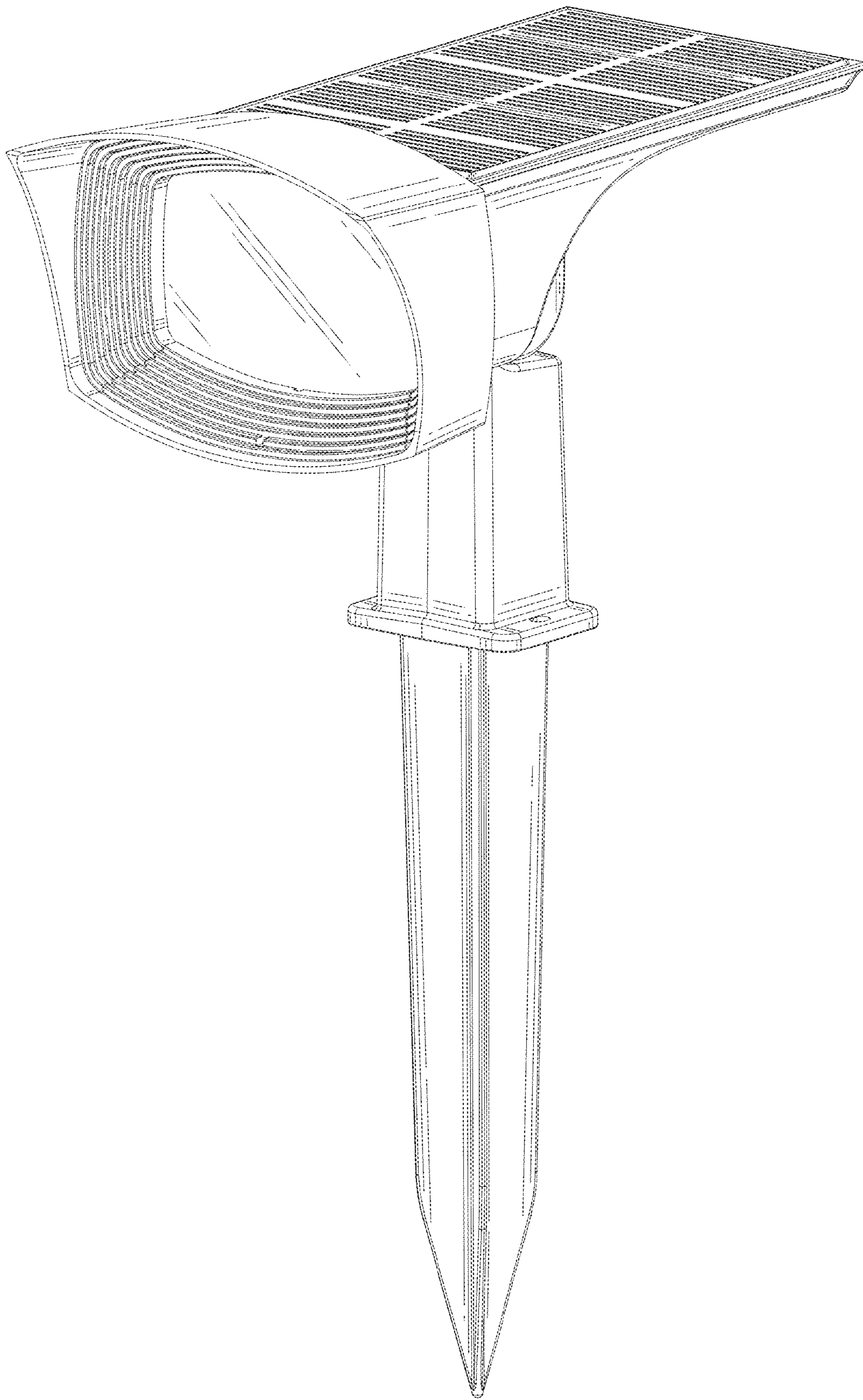


FIG. 1

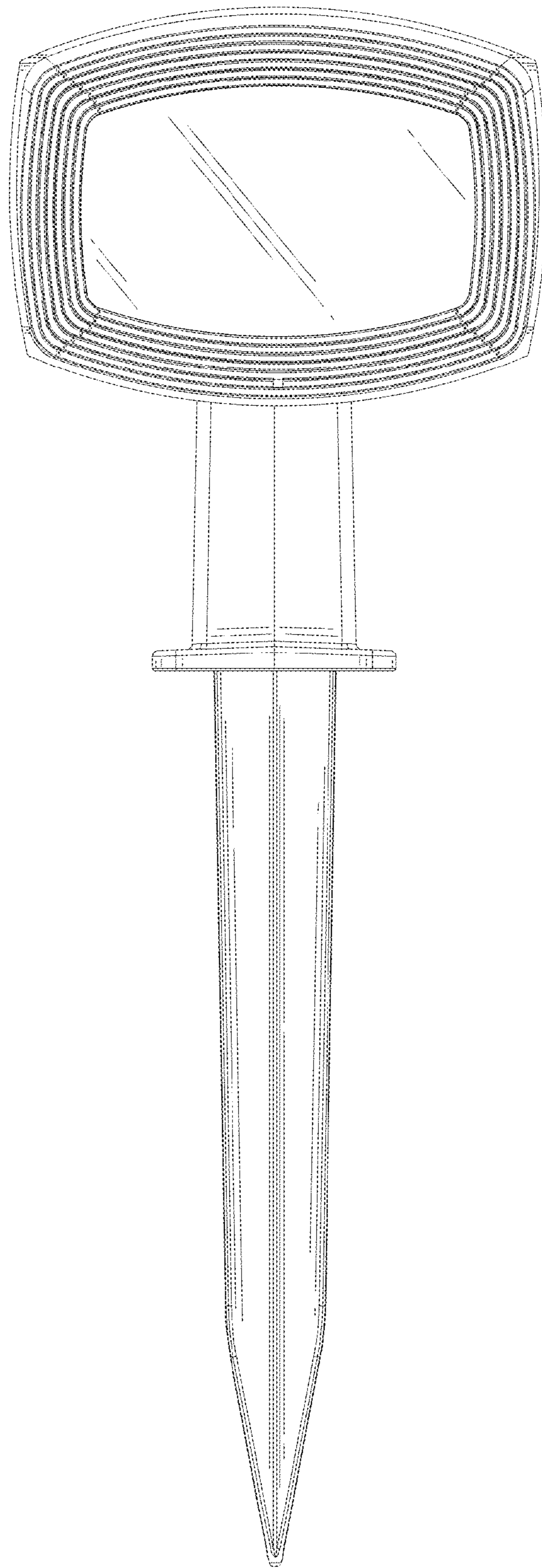


FIG. 2

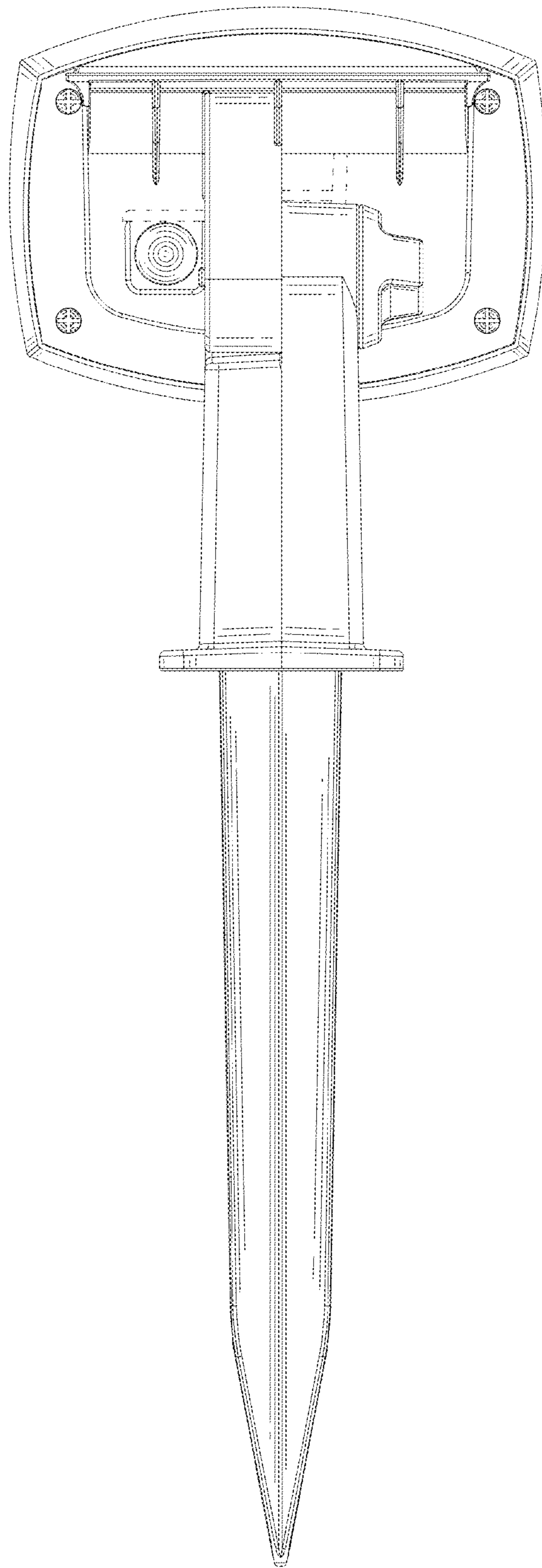


FIG. 3

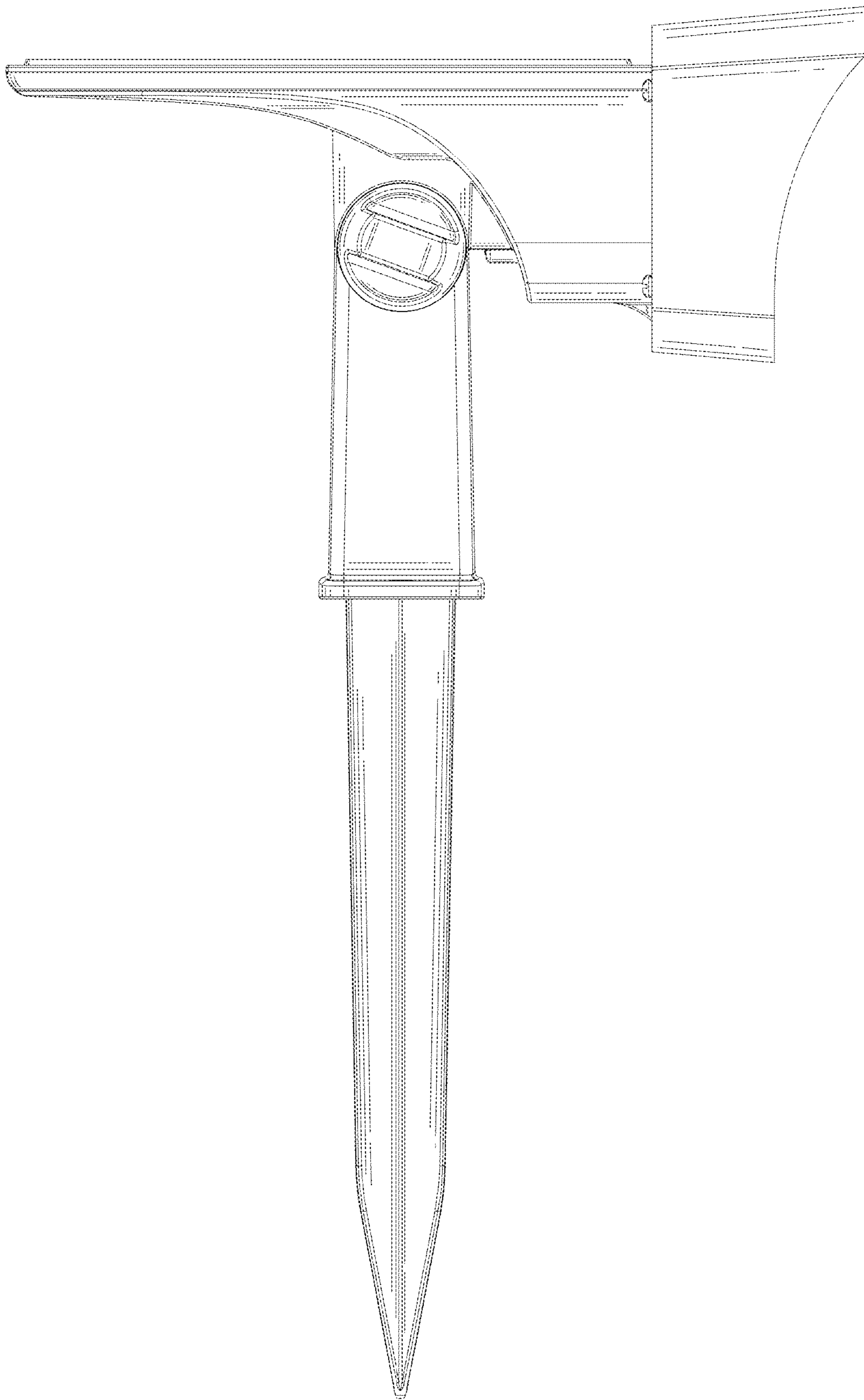


FIG. 4

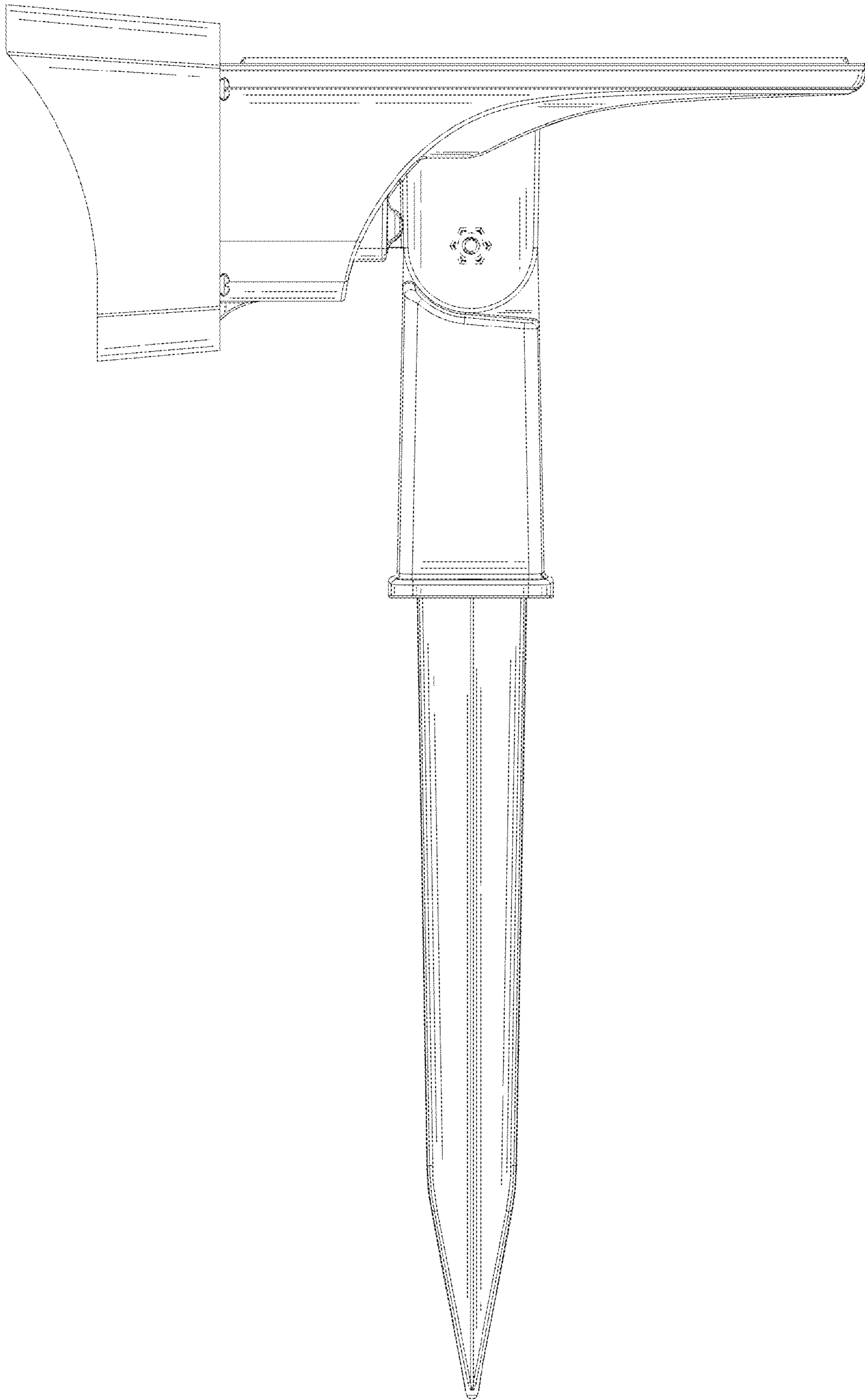


FIG. 5

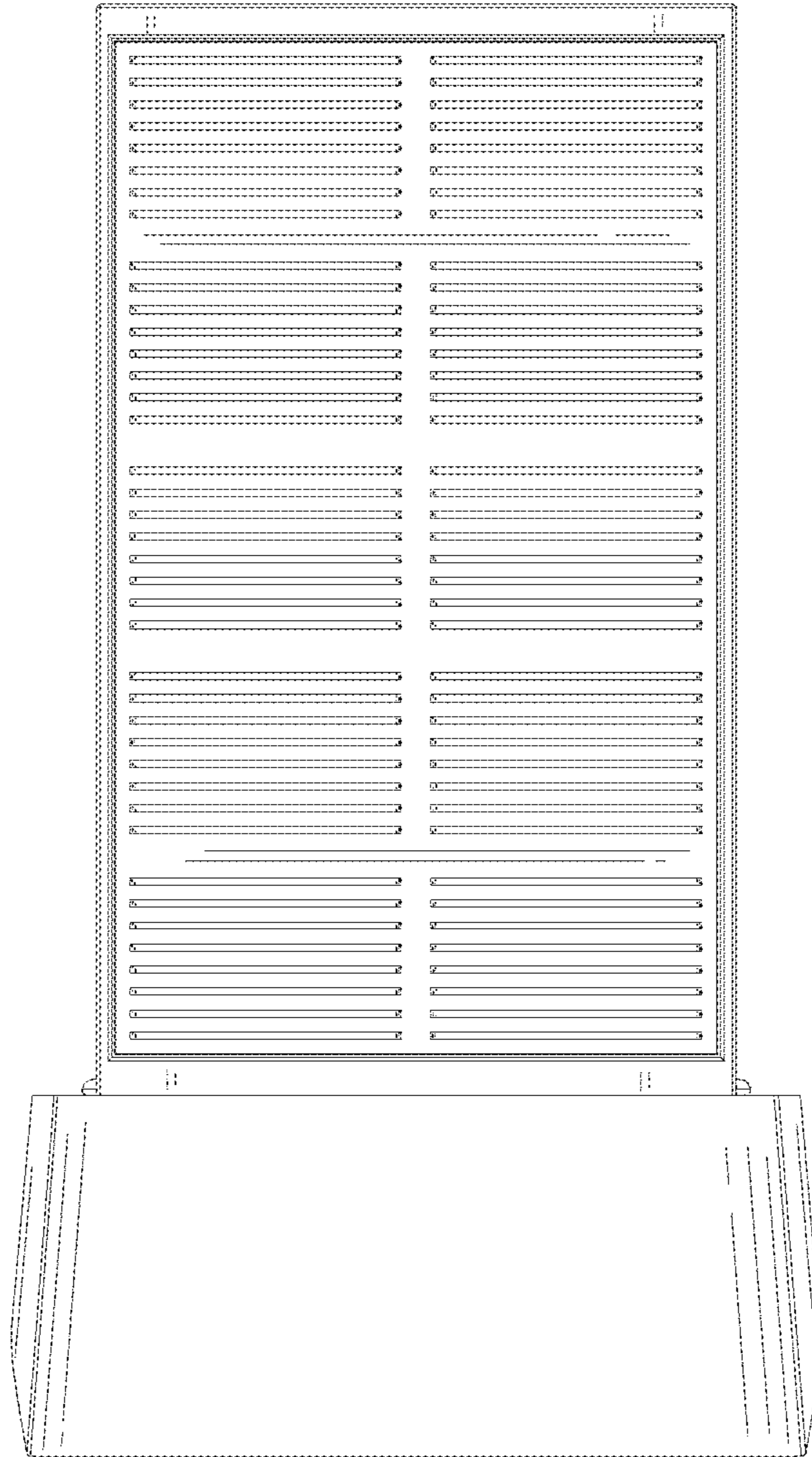


FIG. 6

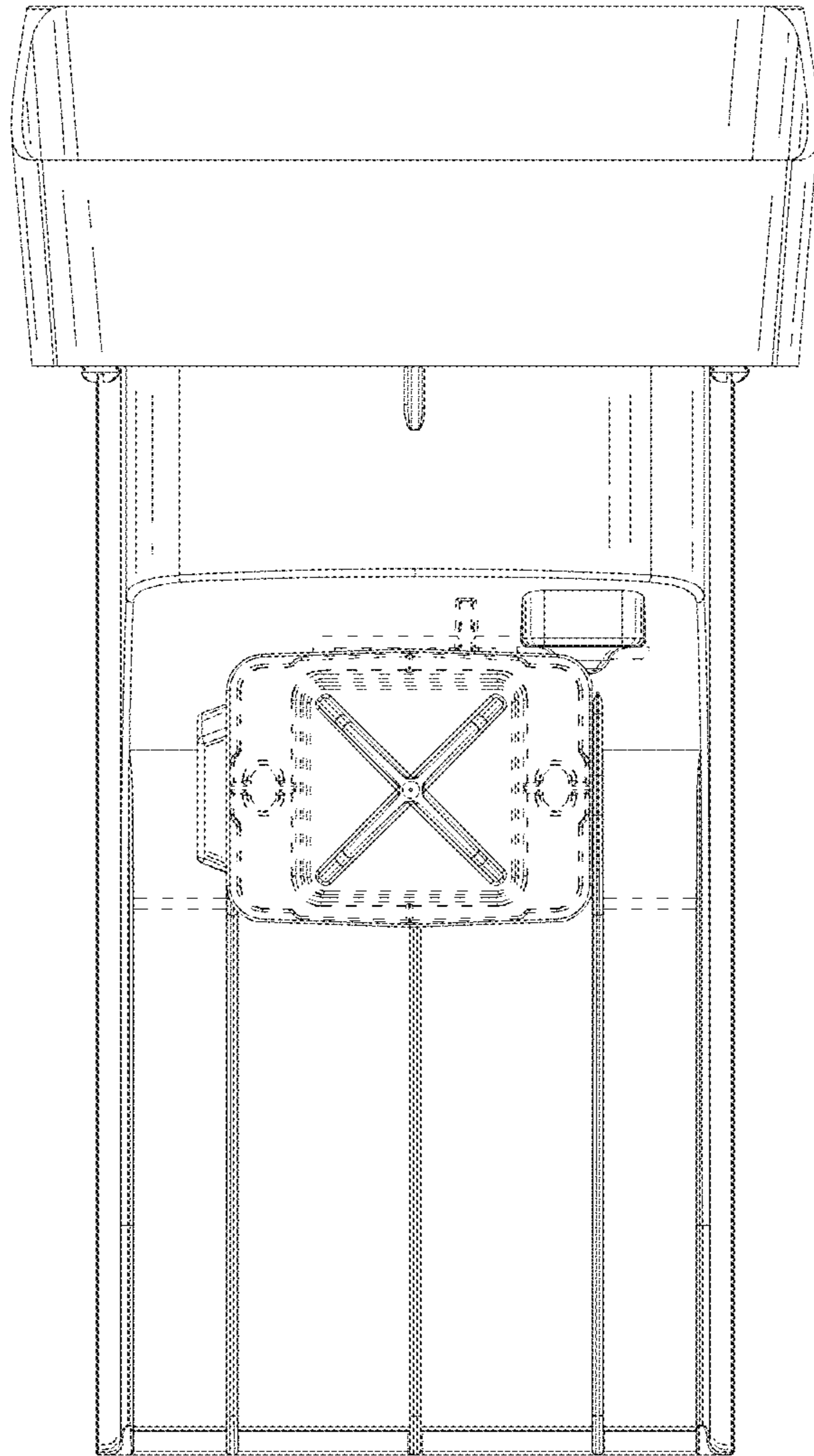


FIG. 7